



US00D624207S

(12) **United States Design Patent**  
**Skalka**

(10) **Patent No.:** **US D624,207 S**  
(45) **Date of Patent:** **\*\* Sep. 21, 2010**

(54) **BOLLARD**

(57) **CLAIM**

(75) Inventor: **Gerald Skalka**, Potomac, MD (US)

The ornamental design for a bollard, as shown and described.

(73) Assignee: **Secure Site Design, LLC**, Potomac, MD (US)

**DESCRIPTION**

(\*\*) Term: **14 Years**

FIG. 1 is an isometric view of a first embodiment of a bollard showing my new design.

(21) Appl. No.: **29/311,165**

FIG. 2 is a front elevational view of the bollard of FIG. 1, the back elevational view being a mirror image thereof.

(22) Filed: **Jan. 7, 2009**

FIG. 3 is a side elevational view of the bollard of FIG. 1, the opposite side elevational view being a mirror image thereof.

(51) **LOC (9) Cl.** ..... **25-01**

(52) **U.S. Cl.** ..... **D25/121**

(58) **Field of Classification Search** ..... D25/126,  
D25/121; 256/65.14; 49/131, 49; 404/6,  
404/9; D12/115

FIG. 4 is a top plan view of the bollard of FIG. 1.

FIG. 5 is a bottom plan view of the bollard of FIG. 1.

See application file for complete search history.

FIG. 6 is another isometric view of the bollard of FIG. 1.

(56) **References Cited**

**U.S. PATENT DOCUMENTS**

4,858,382	A *	8/1989	Ellgass	.....	49/35
5,309,674	A *	5/1994	Weibel	.....	49/49
D406,664	S	3/1999	Müller		
D474,846	S	5/2003	Skalka		
D507,358	S	7/2005	Skalka		
D518,187	S	3/2006	Skalka		
7,134,804	B2	11/2006	Skalka		
7,195,420	B2	3/2007	Skalka		
7,232,275	B2	6/2007	Skalka		
D571,933	S *	6/2008	Aughton	.....	D25/121
D573,724	S *	7/2008	Reed	.....	D25/121
2004/0067104	A1 *	4/2004	Venegas	.....	404/6

FIG. 7 is an isometric view of a second embodiment of a bollard showing my new design.

FIG. 8 is a front elevational view of the bollard of FIG. 7, the back elevational view being a mirror image thereof.

FIG. 9 is a side elevational view of the bollard of FIG. 7, the opposite side elevational view being a mirror image thereof.

FIG. 10 is a top plan view of the bollard of FIG. 7.

FIG. 11 is a bottom plan view of the bollard of FIG. 7; and,

FIG. 12 is another isometric view of the bollard of FIG. 7.

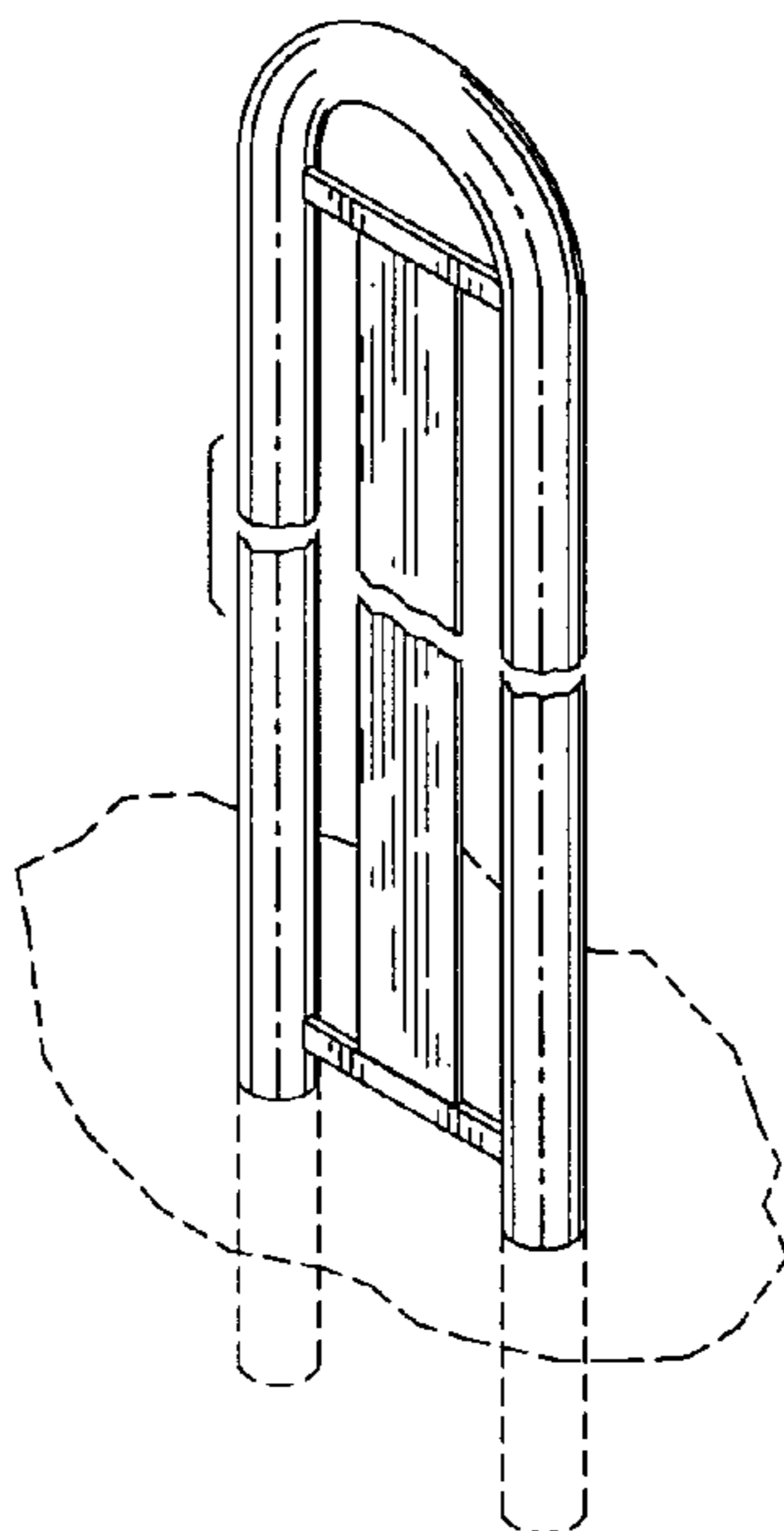
The broken line showing of a bicycle in FIGS. 6 and 12 and the broken line showing of ground and post anchors in FIGS. 1–12 are included for the purpose of illustrating use and environment and form no part of the claimed design. The posts of the bollard are shown broken-away in FIGS. 1–12 to indicate that a specific length forms no part of the claimed design.

\* cited by examiner

*Primary Examiner*—Doris Clark

(74) *Attorney, Agent, or Firm*—Jacobson Holman PLLC

**1 Claim, 2 Drawing Sheets**



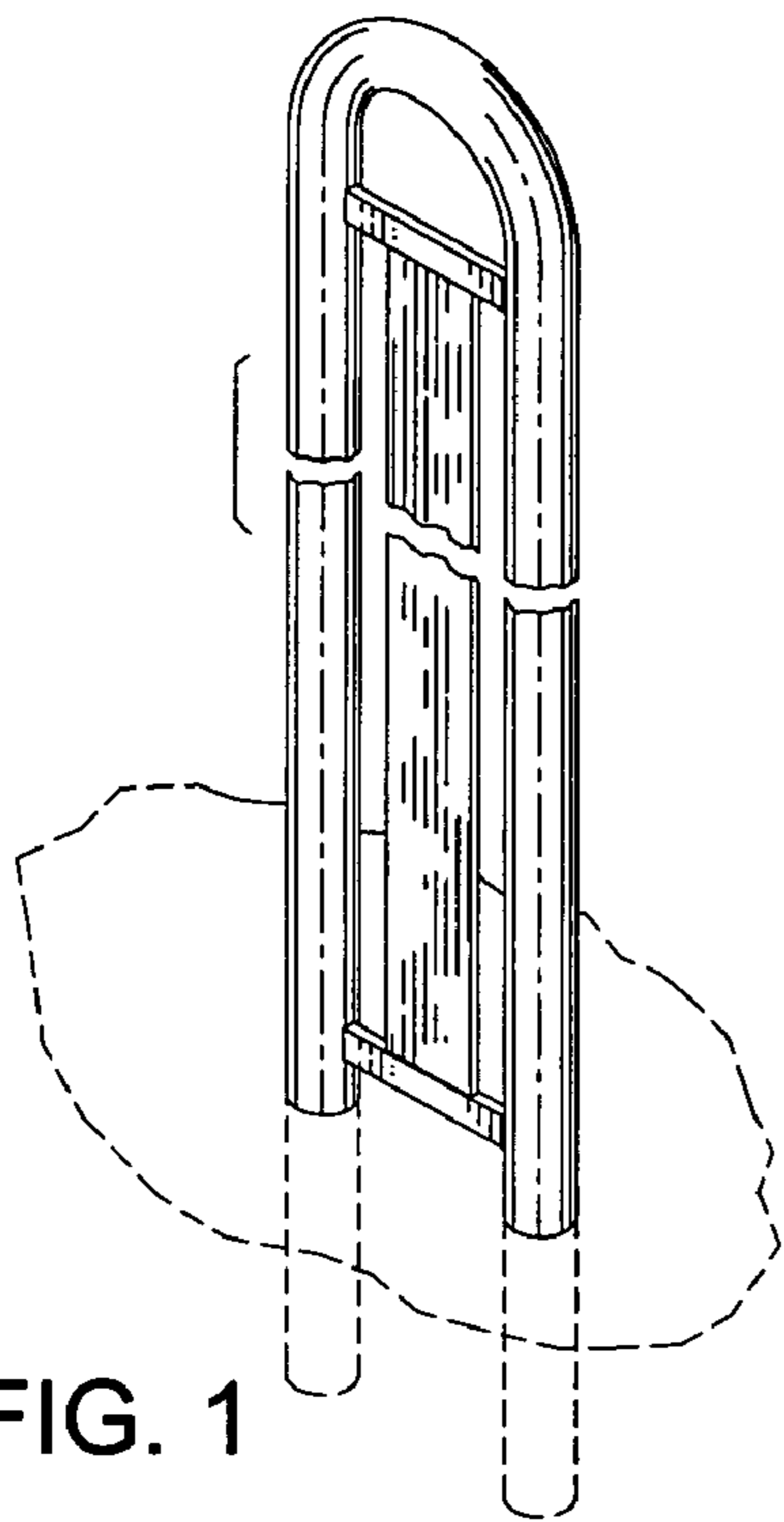


FIG. 1

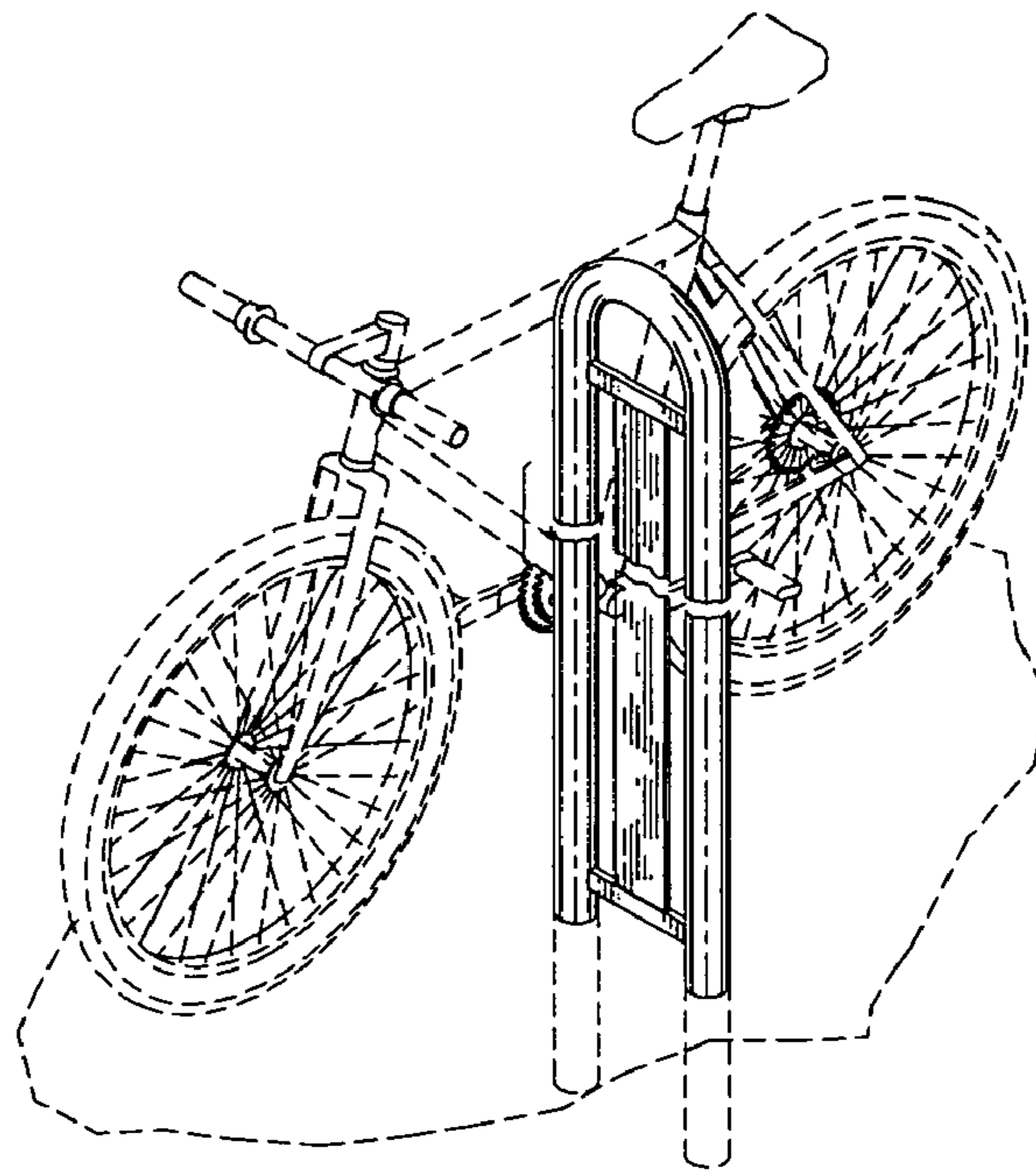


FIG. 6

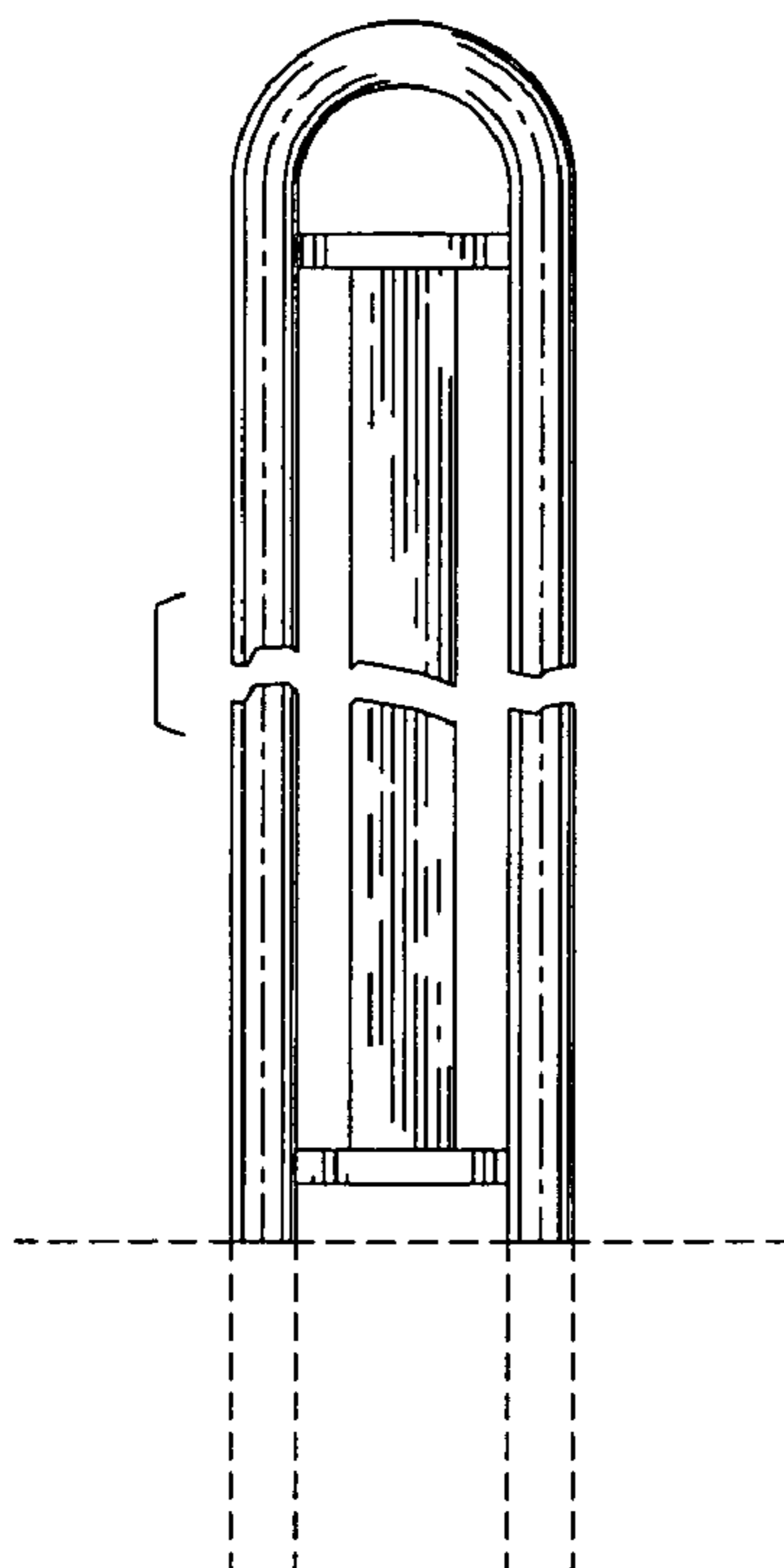


FIG. 2

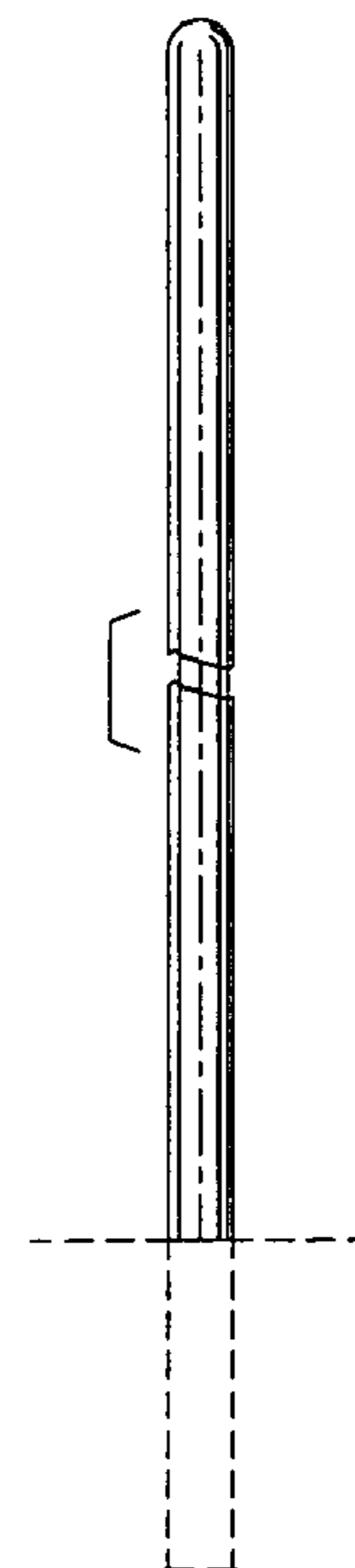


FIG. 3

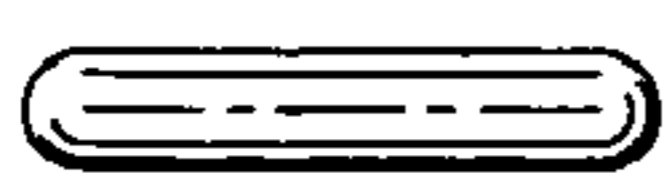


FIG. 4



FIG. 5

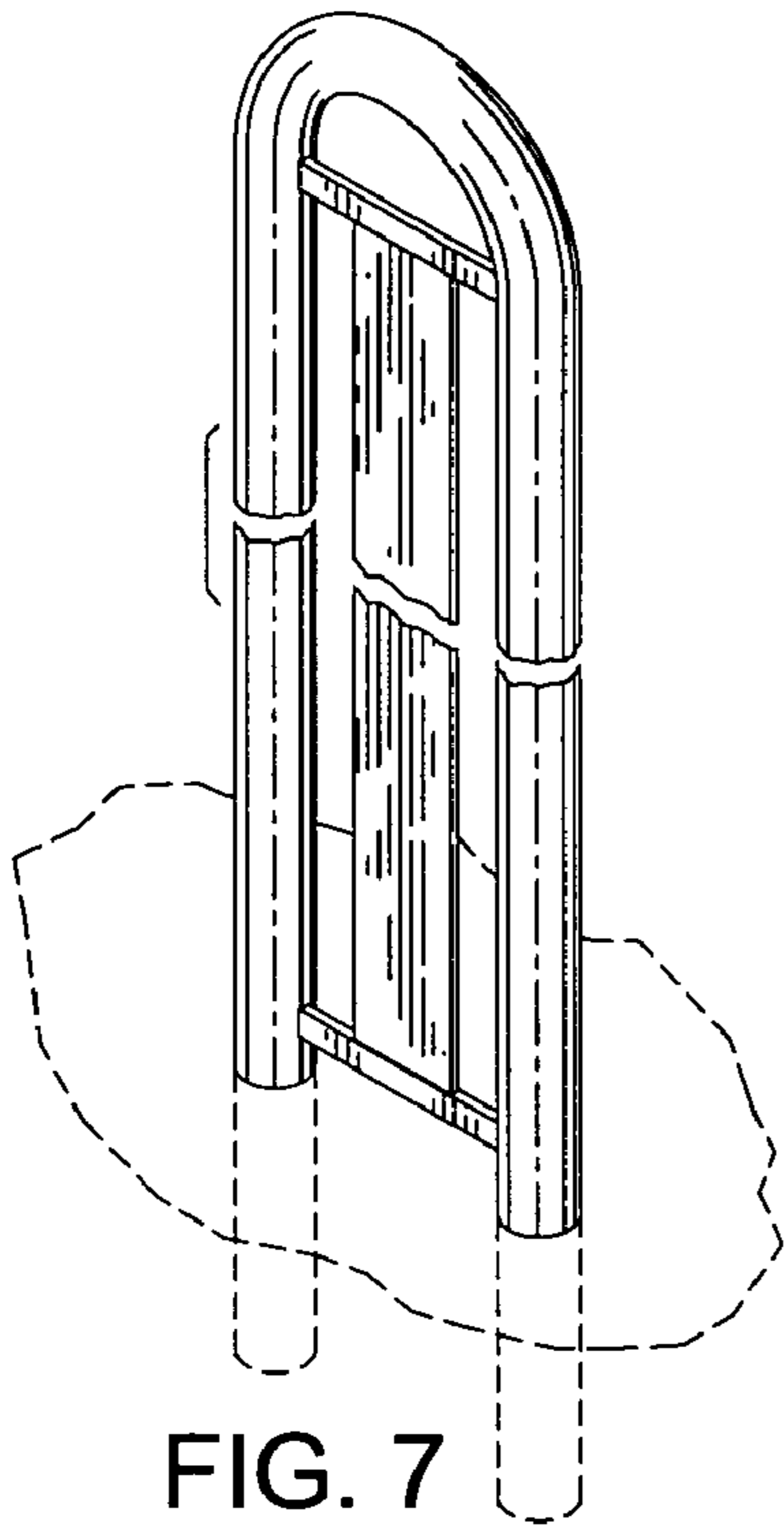


FIG. 7

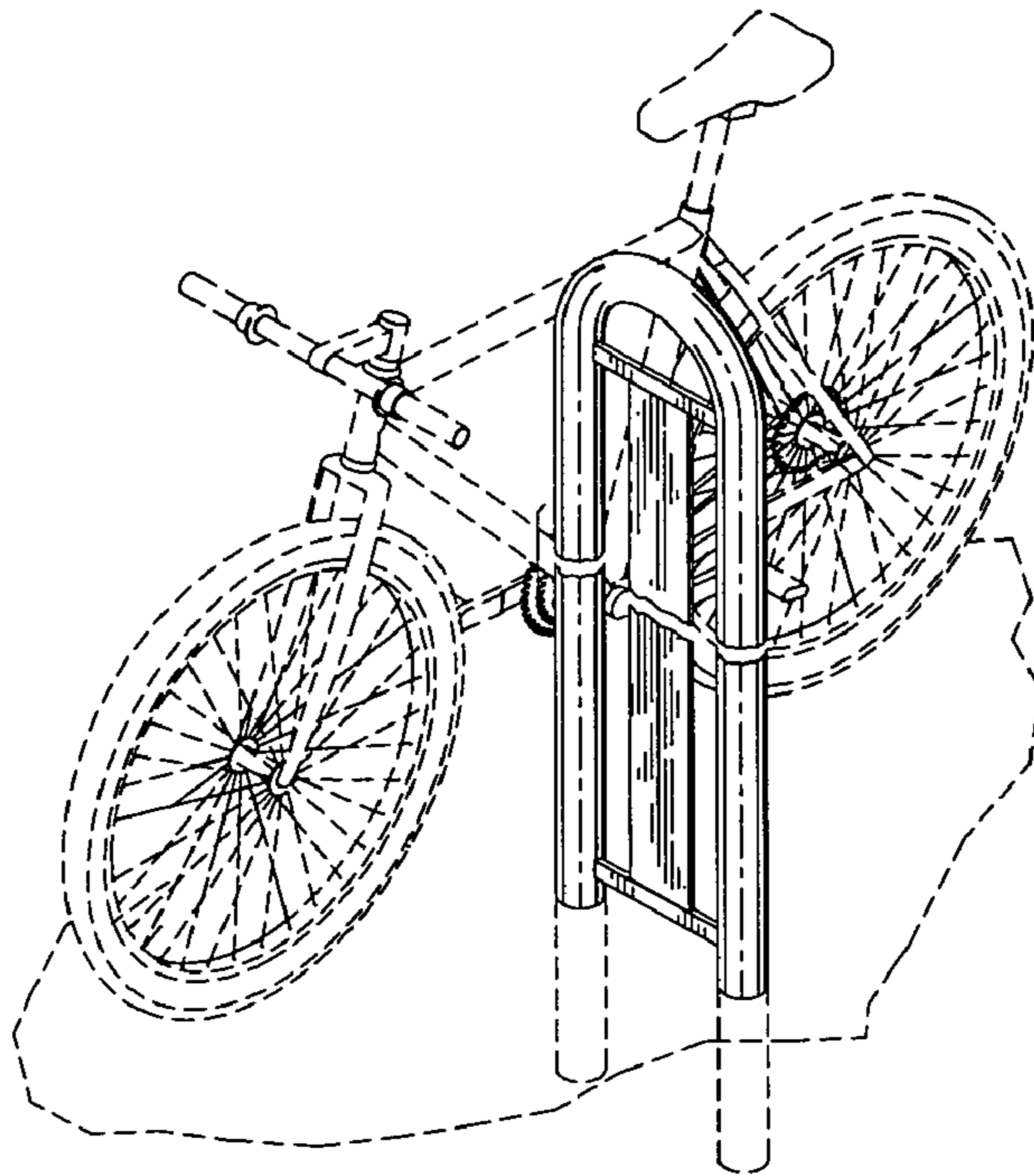


FIG. 12

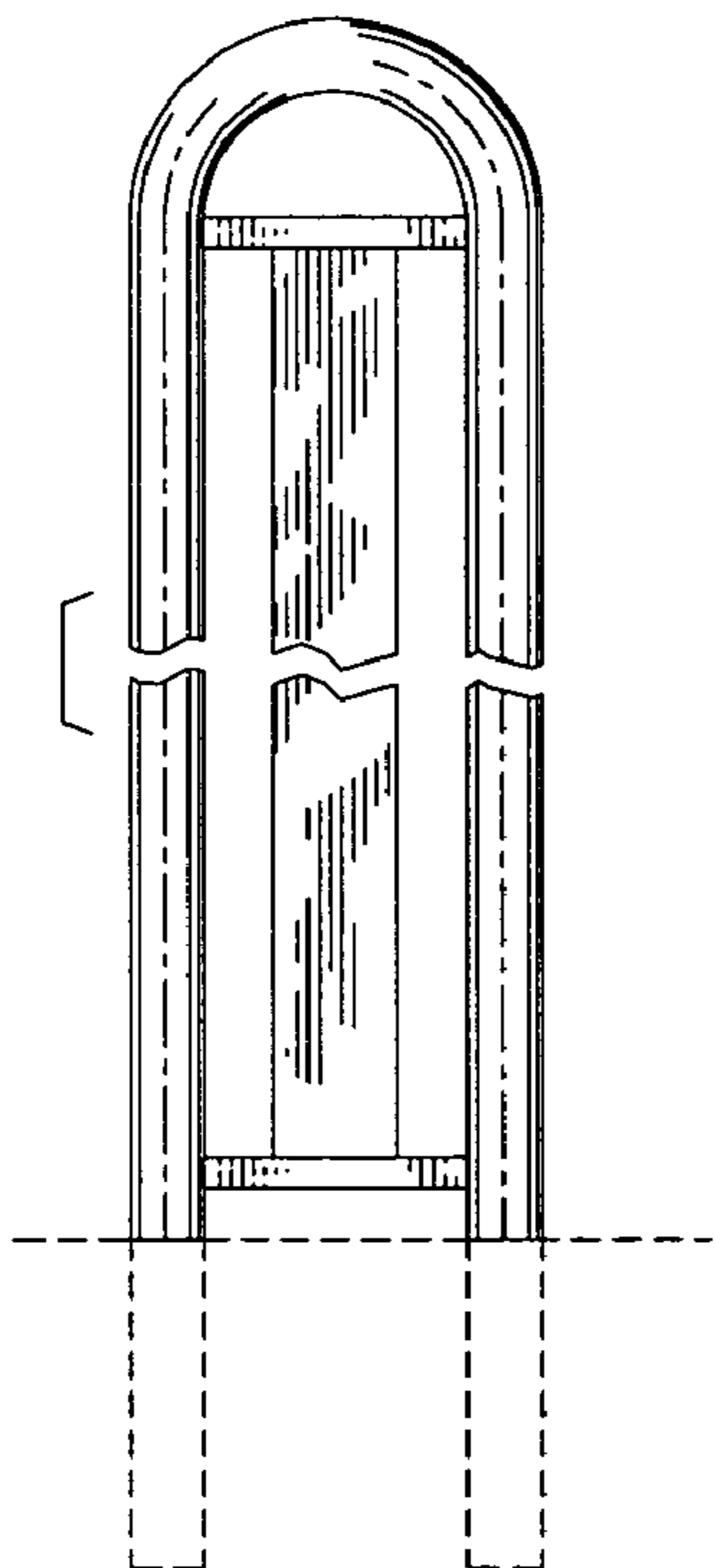


FIG. 8

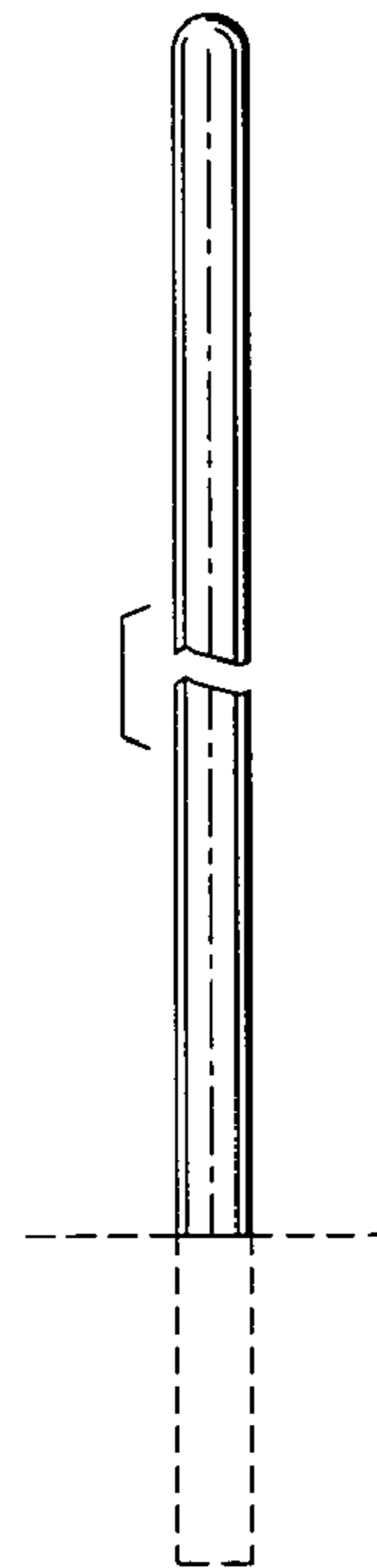


FIG. 9

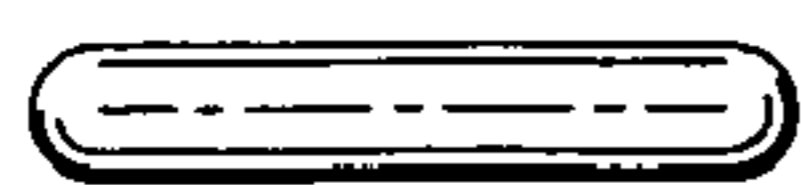


FIG. 10

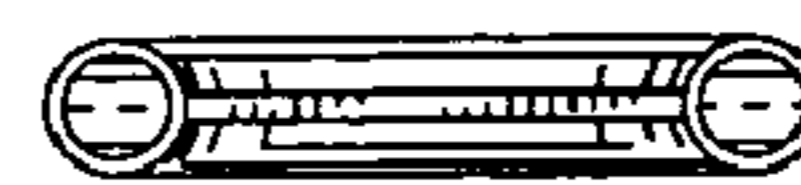


FIG. 11