



US00D624206S

(12) **United States Design Patent**
Antonic

(10) **Patent No.:** **US D624,206 S**

(45) **Date of Patent:** **** Sep. 21, 2010**

(54) **SILL PLATE**

(74) *Attorney, Agent, or Firm*—Laura G. Barrow

(76) **Inventor:** **James P. Antonic**, 9111 Southmont
Cove, #406, Ft. Myers, FL (US) 33908

(57) **CLAIM**

(**) **Term:** **14 Years**

I claim the ornamental design of a sill plate, as shown and described.

(21) **Appl. No.:** **29/348,304**

(22) **Filed:** **Dec. 21, 2009**

DESCRIPTION

Related U.S. Application Data

(63) Continuation-in-part of application No. 11/356,482,
filed on Feb. 17, 2006.

FIG. 1 is a top/left/front perspective view of the first embodiment of my new design, shown broken in the center with a double line to indicate that no particular length is claimed.

(51) **LOC (9) Cl.** **25-01**

(52) **U.S. Cl.** **D25/119**

FIG. 2 is a left side view of the first embodiment. The right side is a mirror image of the left side.

(58) **Field of Classification Search** D25/121,
D25/136, 164, 119; 52/281, 282.2, 282.3,
52/460, 461, 479, 481.1, 220.1, 716.1, 243,
52/718.01, 718.04, 717.06, 718.05, 718.06,
52/318, 290, 579, 311.1, 241, 311.2, 311.3,
52/314, 236.9, 344, 465, 481.2

FIG. 3 is a front view of the first embodiment.

FIG. 4 is a back view of the first embodiment.

FIG. 5 is a top view of the first embodiment.

FIG. 6 is a bottom view of the first embodiment.

See application file for complete search history.

FIG. 7 is a top/left/front perspective view of the second embodiment of my new design, shown broken in the center with a double line to indicate that no particular length is claimed.

(56) **References Cited**

U.S. PATENT DOCUMENTS

1,085,429 A * 1/1914 Kahn et al. 52/838

FIG. 8 is a left side view of the second embodiment. The right side is a mirror image of the left side.

(Continued)

FIG. 9 is a top view of the second embodiment; and,

FIG. 10 is a bottom view of the second embodiment.

FOREIGN PATENT DOCUMENTS

FR 2871823 12/2005

(Continued)

The front and back views of the second embodiment are identical to the views shown in FIGS. 3 and 4, respectively, of the first embodiment.

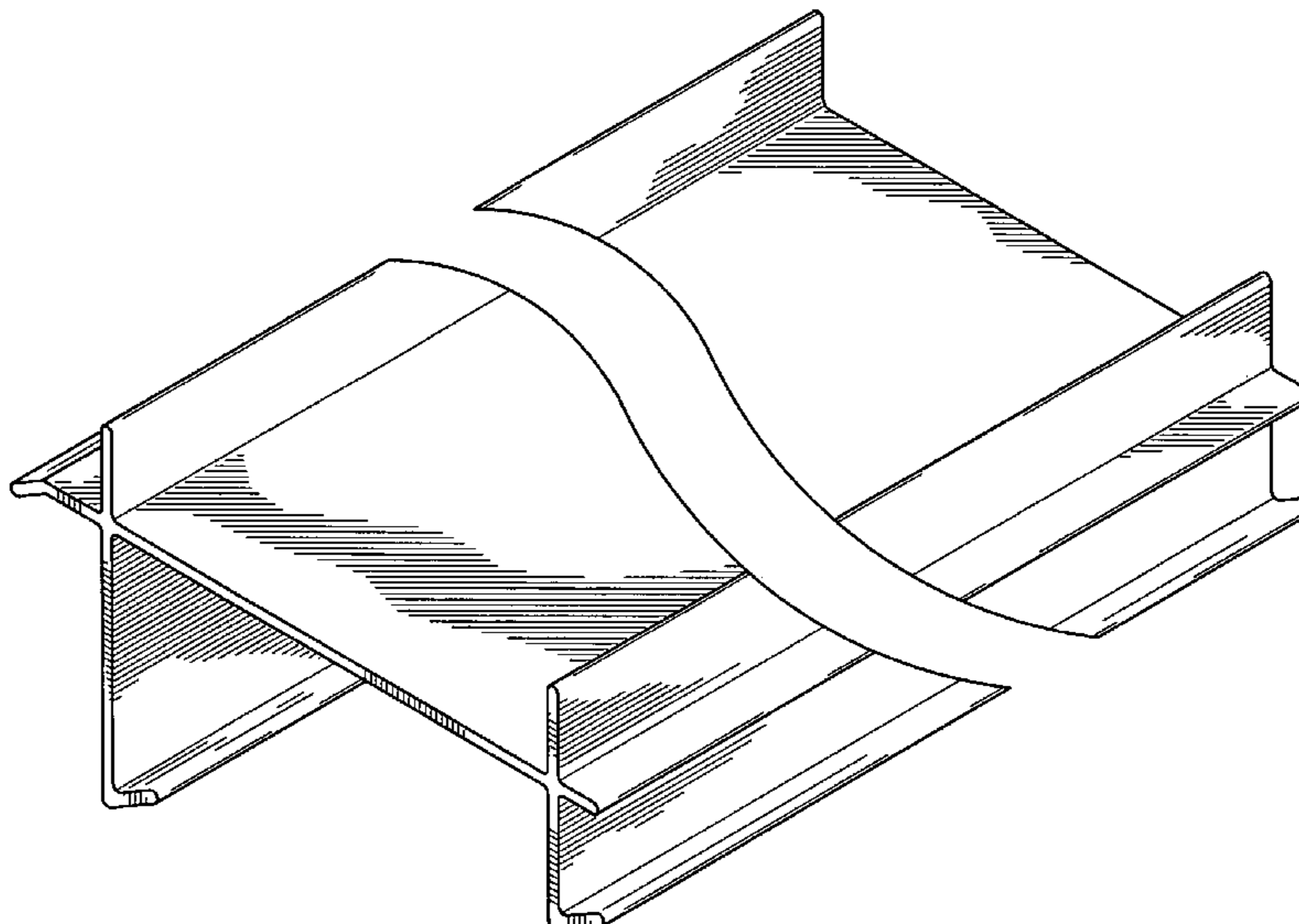
OTHER PUBLICATIONS

European Search Report for EPO Application No. 07750810.9 (Mar. 3, 2010) (8 pages).

In addition, the shading lines shown in all of the drawings represent the approximate three-dimensional contour of the design, and thus are not intended to indicate surface decoration.

Primary Examiner—Doris Clark

1 Claim, 5 Drawing Sheets



US D624,206 S

Page 2

U.S. PATENT DOCUMENTS							
1,609,541	A	12/1926	Gooding	D371,208	S	6/1996	De Zen
1,958,124	A	5/1934	Bemis	D371,505	S	7/1996	Young
1,959,135	A	5/1934	Miller	5,561,955	A	10/1996	Frobosilo et al.
2,142,523	A	1/1939	McLaughlin, Jr.	D377,598	S	1/1997	Beard, Jr.
2,256,394	A	9/1941	Lamel	5,592,794	A	1/1997	Tundaun
2,380,834	A	6/1942	Goldman	D378,422	S	3/1997	Howe
2,356,309	A	8/1944	Garbe	5,611,173	A	3/1997	Headrick et al.
2,363,164	A	11/1944	Waller	5,644,888	A	7/1997	Johnson
2,406,501	A	8/1946	Kratzmaier	D384,169	S	9/1997	Leonelli
2,731,116	A	1/1956	Hamilton	5,664,388	A	9/1997	Chapman et al.
3,184,013	A	5/1965	Pavleeka	5,678,797	A	10/1997	Gogan
3,310,926	A	3/1967	Brandreth	5,706,620	A	1/1998	De Zen
3,332,188	A	7/1967	Schaefer	5,706,626	A	1/1998	Mueller
3,363,371	A	1/1968	Fajardo	5,735,090	A	4/1998	Papke
3,498,014	A	3/1970	Fergen	5,755,064	A	5/1998	Meyer et al.
3,533,205	A	10/1970	Pestel et al.	5,758,466	A	6/1998	Tucker
3,562,970	A	2/1971	Schwartz	5,794,746	A	8/1998	Ketonen et al.
3,593,475	A	* 7/1971	LaGue 52/241	5,797,233	A	8/1998	Hascall
3,623,290	A	11/1971	Downing, Jr.	5,799,454	A	9/1998	Andersson
3,630,474	A	12/1971	Minor	5,802,798	A	9/1998	Martens
3,685,222	A	8/1972	Curtess	D400,080	S	10/1998	Beard, Jr.
3,821,868	A	7/1974	Edwards	5,837,363	A	11/1998	Colafati
3,877,194	A	4/1975	Matuschek et al.	5,848,512	A	12/1998	Conn
3,989,399	A	11/1976	Slowbe	D407,828	S	4/1999	Hart
4,047,355	A	9/1977	Knorr	5,927,039	A	7/1999	De Boer
4,107,893	A	8/1978	Rensch	5,930,968	A	8/1999	Pullam
4,124,186	A	11/1978	Call, Sr.	5,950,385	A	9/1999	Herren
4,151,030	A	4/1979	Hensel	D417,737	S	12/1999	Stansfield
4,154,030	A	5/1979	Huguet	6,003,279	A	12/1999	Schneider
4,186,539	A	2/1980	Harmon et al.	6,023,898	A	2/2000	Josey
4,199,908	A	4/1980	Teeters	D423,690	S	4/2000	Grosfillex
D256,663	S	9/1980	Gilb	6,067,769	A	5/2000	Hardy
4,235,054	A	11/1980	Cable	D428,162	S	7/2000	Eyring et al.
4,261,144	A	4/1981	Rizzo	6,092,340	A	7/2000	Simmons
4,272,930	A	6/1981	Foster	D432,671	S	10/2000	Grosfillex
4,285,184	A	8/1981	Turner, Jr.	6,216,395	B1	4/2001	Kelly
4,299,202	A	11/1981	Mayo et al.	6,223,494	B1	5/2001	Bright
4,324,082	A	4/1982	Rutkowski et al.	D443,810	S	6/2001	Ausilio
4,353,192	A	10/1982	Pearson et al.	D445,921	S	7/2001	Eyring
4,370,838	A	2/1983	Vermillion	6,256,960	B1	7/2001	Babcock et al.
D268,288	S	3/1983	Cowdroy	6,260,601	B1	7/2001	Thomas
4,542,614	A	9/1985	Malachowski	D446,870	S	8/2001	Gardner
D283,352	S	4/1986	Bancroft	6,272,796	B1	8/2001	Metzler
4,612,744	A	9/1986	Shamash	6,276,094	B1	8/2001	Hays
D286,199	S	10/1986	Bancroft	D447,574	S	9/2001	Fening
4,630,547	A	12/1986	Przybylinski et al.	D448,495	S	9/2001	Lamberts
4,638,606	A	1/1987	Wendt	6,298,612	B1	10/2001	Adams
4,660,339	A	4/1987	Paz	6,314,704	B1	11/2001	Bryant
4,689,930	A	9/1987	Menchetti	D452,016	S	12/2001	Hall
4,714,372	A	12/1987	Commins	6,336,298	B1	1/2002	Chou
4,744,192	A	5/1988	Commins	6,341,458	B1	1/2002	Burt
D297,502	S	9/1988	Archambeau	6,415,580	B2	7/2002	Ojala
4,812,075	A	3/1989	Lavin, Sr.	6,427,403	B1	8/2002	Tambakis
D318,130	S	7/1991	Abbestam et al.	6,438,903	B1	8/2002	Weiss
5,069,263	A	12/1991	Edwards	D465,586	S	11/2002	Krieger
5,070,667	A	12/1991	Schulte	D466,233	S	11/2002	Krieger
5,081,813	A	1/1992	White	6,519,911	B1	2/2003	Sawada
5,092,100	A	3/1992	Lambert et al.	D473,123	S	4/2003	Anderson
D330,432	S	10/1992	Weinerman	D473,955	S	4/2003	Gregori
D331,469	S	12/1992	McMarlin	6,553,731	B2	4/2003	Hsueh
5,260,525	A	11/1993	Morse	D474,286	S	5/2003	Gregori
D342,662	S	12/1993	Lavin, Sr.	D474,549	S	5/2003	Krieger
D349,166	S	7/1994	Beard, Jr.	6,581,337	B1	6/2003	Skov et al.
5,339,798	A	8/1994	Christian	6,655,096	B1	12/2003	Pryor
5,390,460	A	2/1995	Llorens	6,684,573	B2	2/2004	Heath et al.
5,394,665	A	3/1995	Johnson	6,739,562	B2	5/2004	Rice
5,403,062	A	4/1995	Sjostedt et al.	6,754,999	B1	6/2004	Urbanczyk
D358,755	S	5/1995	Davis	D492,889	S	7/2004	Craine
5,423,156	A	6/1995	Nellessen, Jr.	6,789,358	B2	9/2004	Procton et al.
D363,997	S	11/1995	Nomura	6,802,169	B2	10/2004	Simmons
D364,331	S	11/1995	Leek	6,834,468	B1	12/2004	Kroie
				D500,667	S	1/2005	Murphy et al.
				6,837,012	B2	1/2005	Scherrer et al.

US D624,206 S

Page 3

6,837,019 B2	1/2005	Collie		D581,253 S	11/2008	Antonic
6,931,796 B2	8/2005	Adriaansen et al.		D588,440 S	3/2009	Antonic
D511,086 S	11/2005	Craine		7,513,082 B2	4/2009	Johnson
D511,217 S	11/2005	Bullock et al.		D606,038 S	12/2009	Antonic
D523,565 S *	6/2006	Antonic D25/119	2002/0066245 A1	6/2002	Pryor
D523,735 S	6/2006	Craine		2002/0069600 A1	6/2002	Bryant
7,086,204 B2	8/2006	Salzer		2002/0092245 A1	7/2002	Floyd et al.
D537,537 S	2/2007	Antonic		2002/0148178 A1	10/2002	Farag
7,178,305 B2	2/2007	Petrova		2003/0029124 A1	2/2003	Wise
D540,479 S	4/2007	Antonic		2003/0089066 A1	5/2003	Nelson
7,207,148 B2	4/2007	Surowiecki		2003/0217521 A1	11/2003	Richardson et al.
D544,784 S	6/2007	Antonic		2004/0068947 A1	4/2004	Commins et al.
D549,851 S	8/2007	Antonic		2004/0107653 A1	6/2004	Collie
D552,947 S	10/2007	Ewasiuk		2004/0163355 A1	8/2004	Collie
D553,261 S	10/2007	Antonic		2004/0227039 A1	11/2004	Real et al.
D553,761 S	10/2007	Antonic		2005/0011157 A1	1/2005	Lutz et al.
D554,273 S	10/2007	Antonic		2006/0026924 A1	2/2006	Madsen
D554,773 S	11/2007	Antonic		2006/0156660 A1	7/2006	Stateson
D554,774 S *	11/2007	Antonic D25/119	2006/0207209 A1	9/2006	Metroyanis
D554,775 S	11/2007	Antonic		2006/0254167 A1	11/2006	Antonic
D555,259 S	11/2007	Antonic		2007/0094992 A1	5/2007	Antonic
D555,467 S	11/2007	Pecoraro		2007/0193143 A1	8/2007	Antonic
D557,429 S *	12/2007	Bullock, Jr. D25/119	2008/0236058 A1	10/2008	Antonic
D561,353 S	2/2008	Antonic				
D561,354 S	2/2008	Antonic				
D561,355 S	2/2008	Antonic				
7,334,377 B2	2/2008	Dubensky et al.				
D574,518 S	8/2008	Antonic				
D574,697 S	8/2008	Green				

FOREIGN PATENT DOCUMENTS

GB 507 987 A 6/1939

* cited by examiner

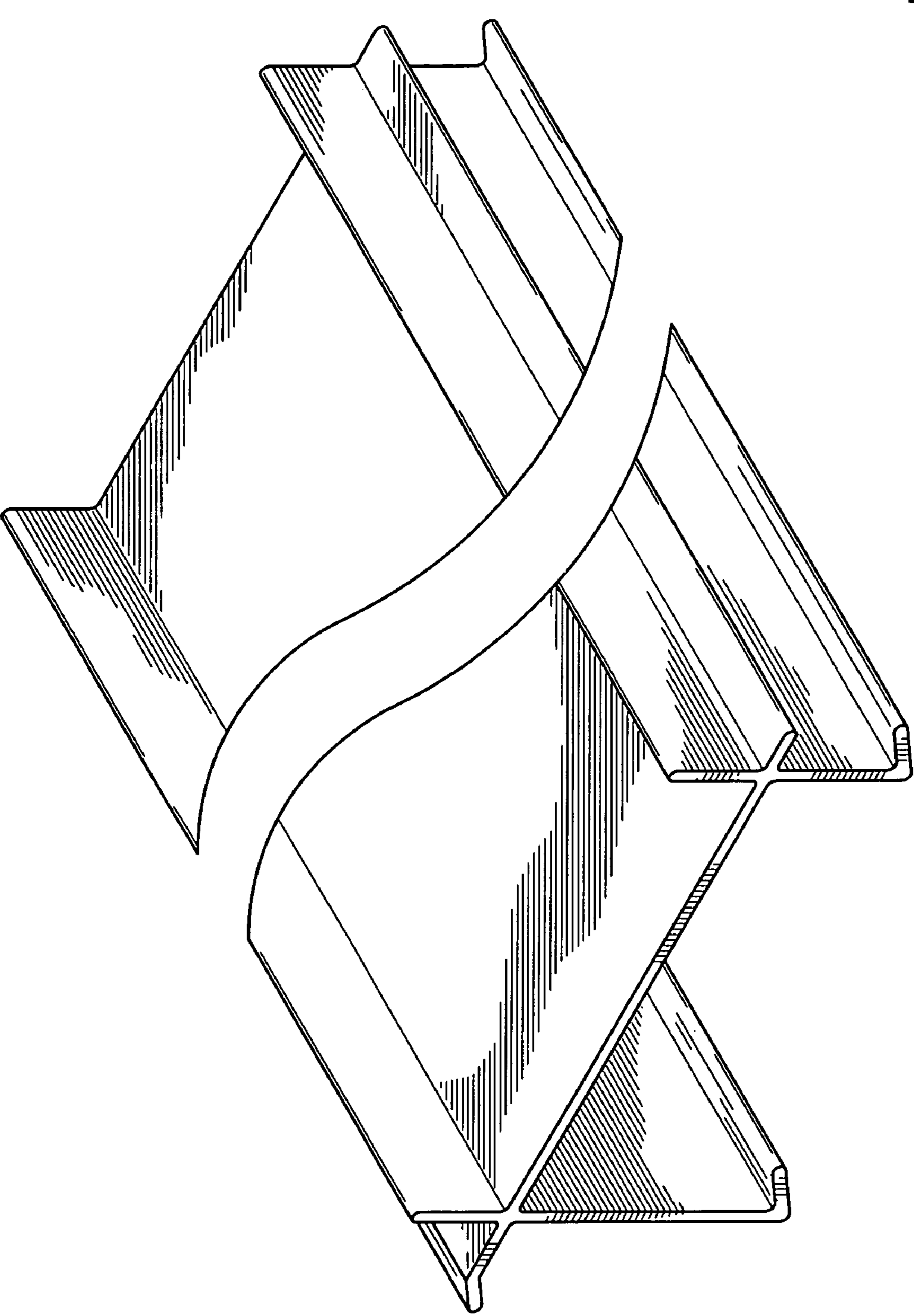


Fig. 1

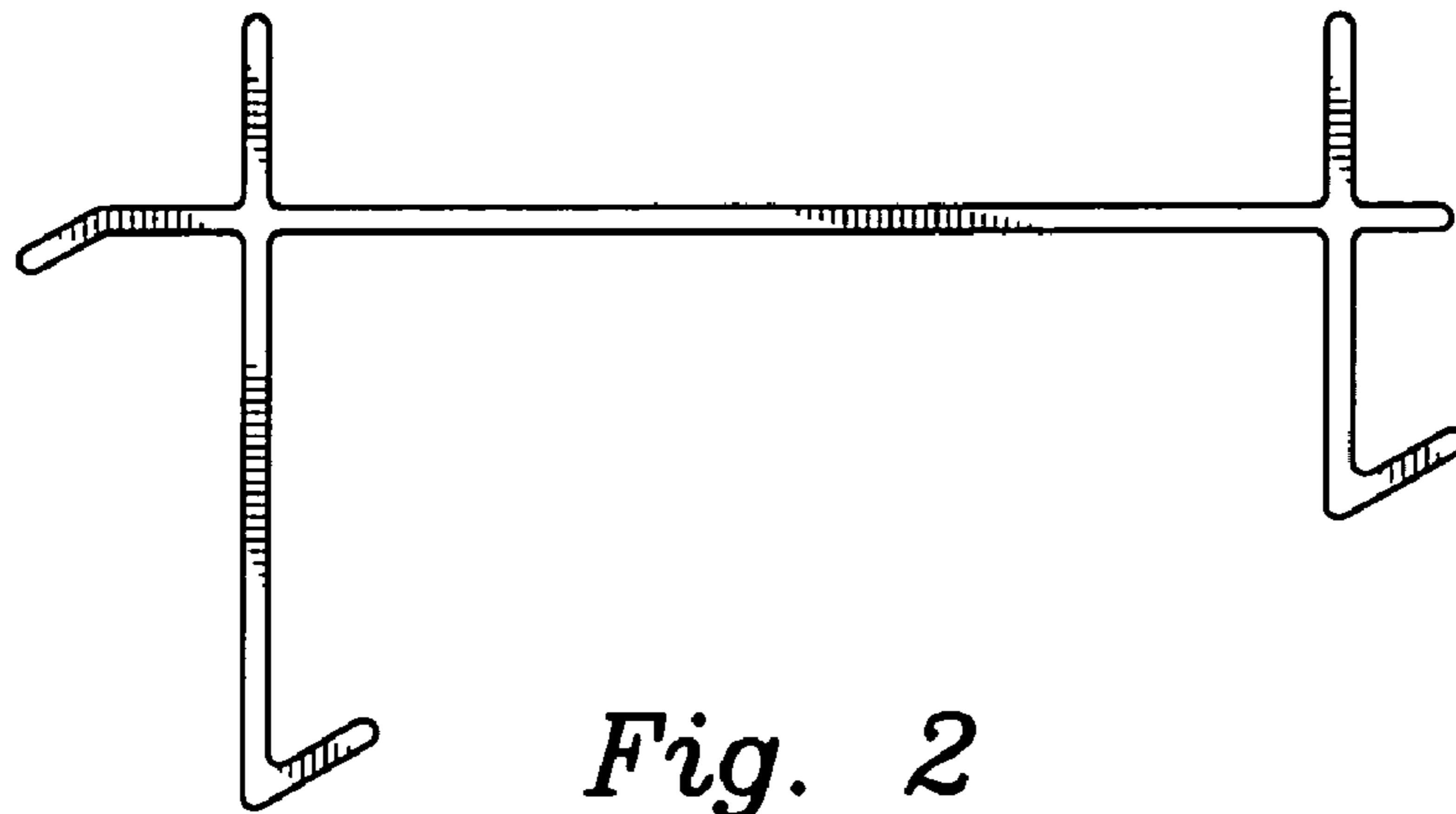


Fig. 2

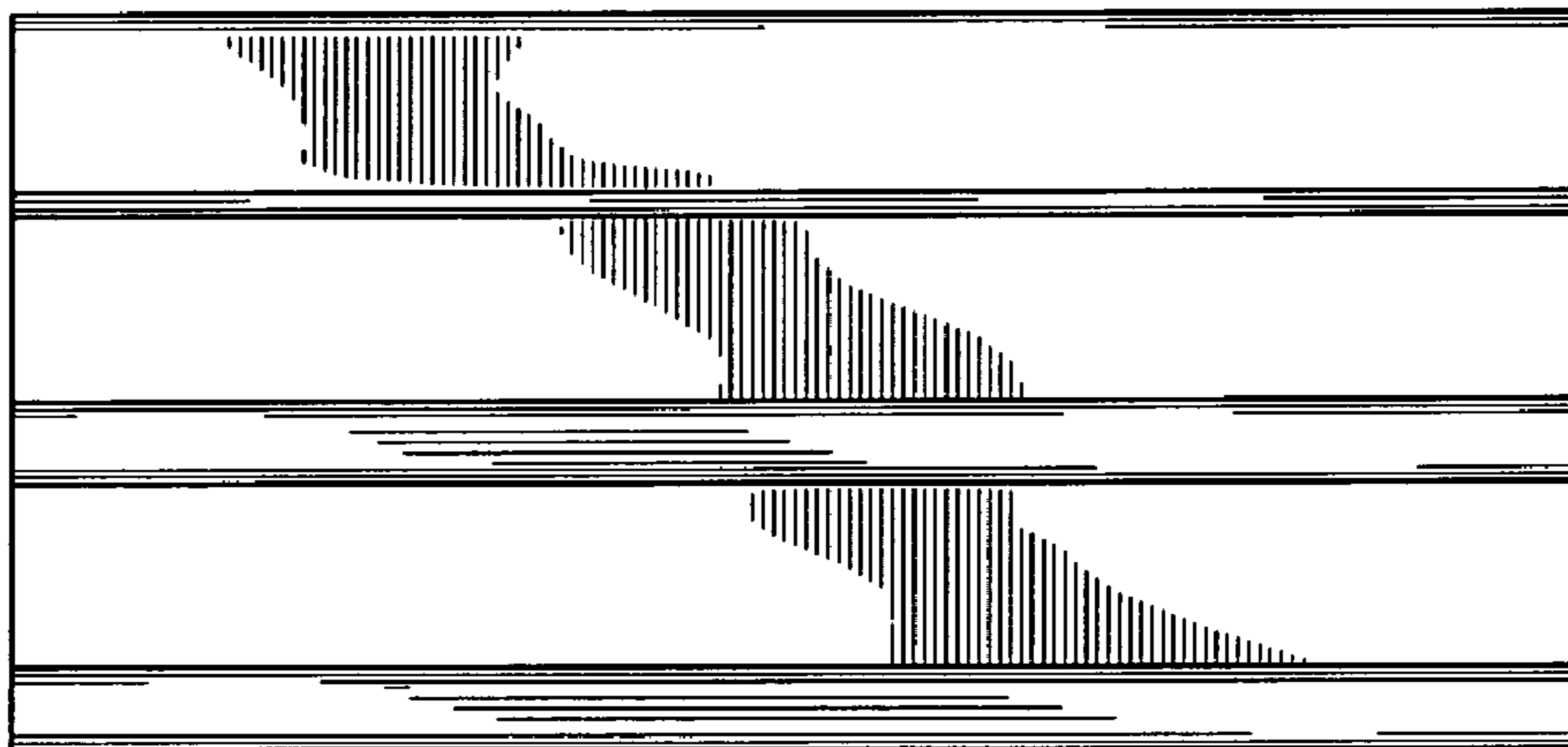


Fig. 3



Fig. 4

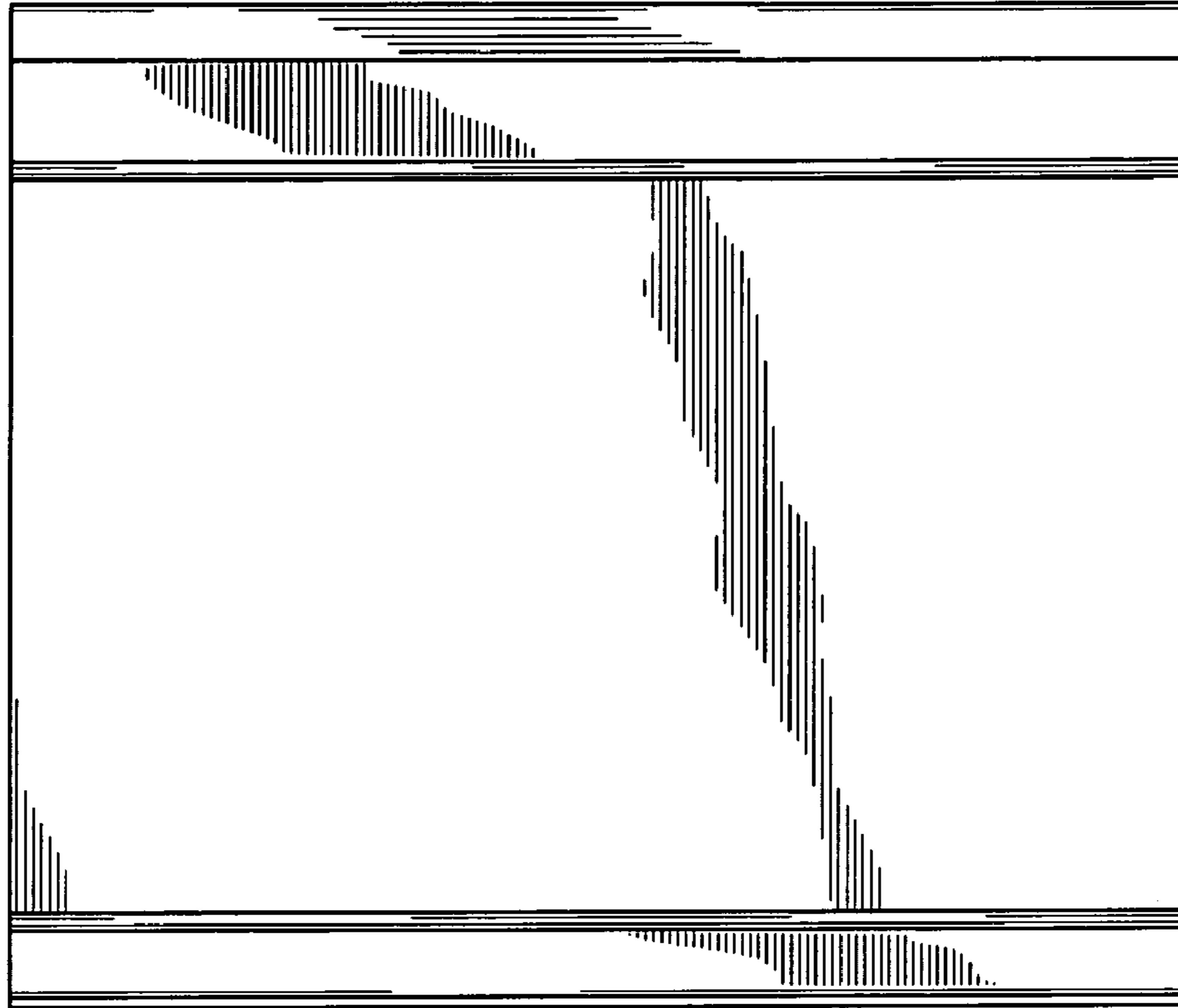


Fig. 5

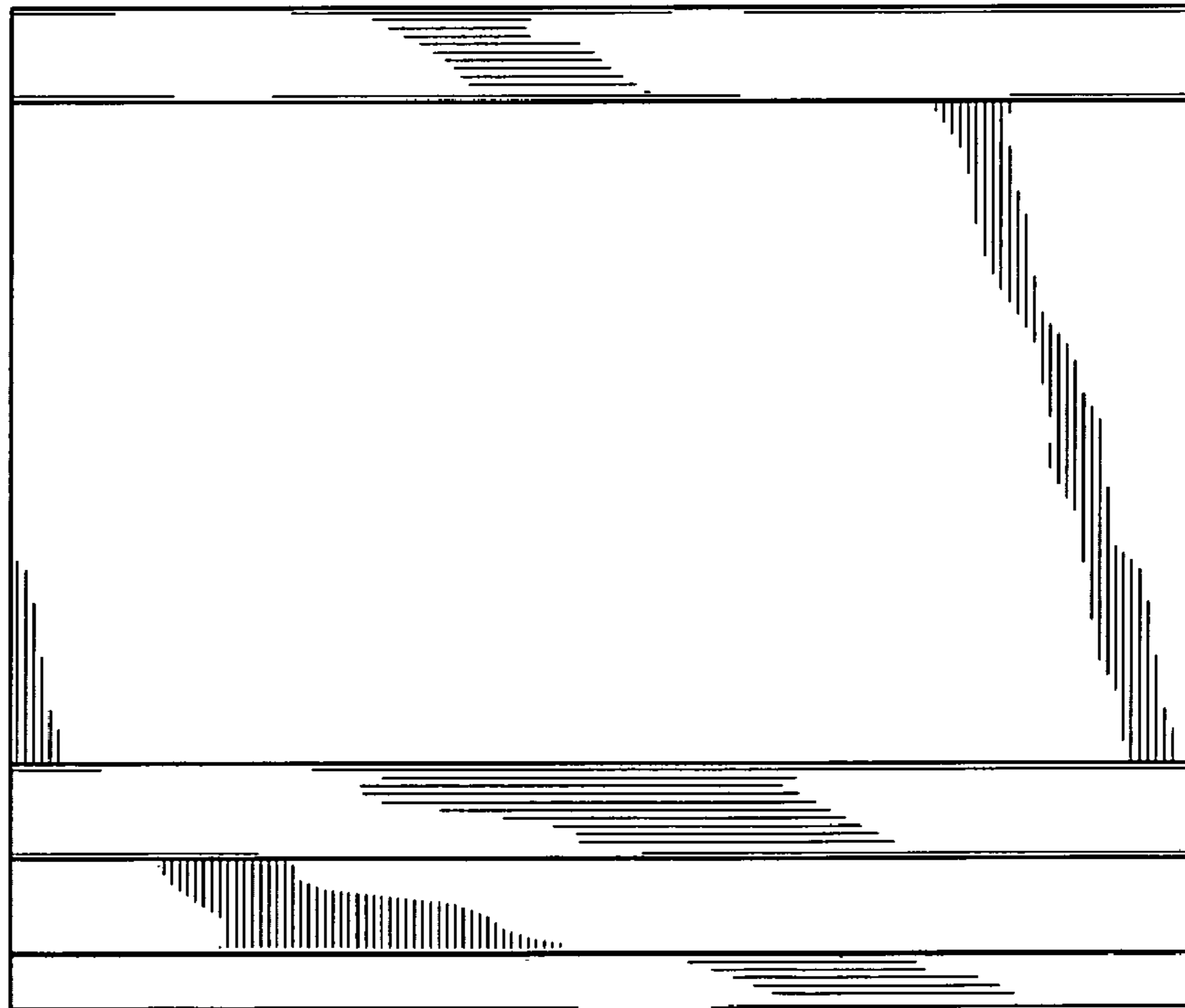


Fig. 6

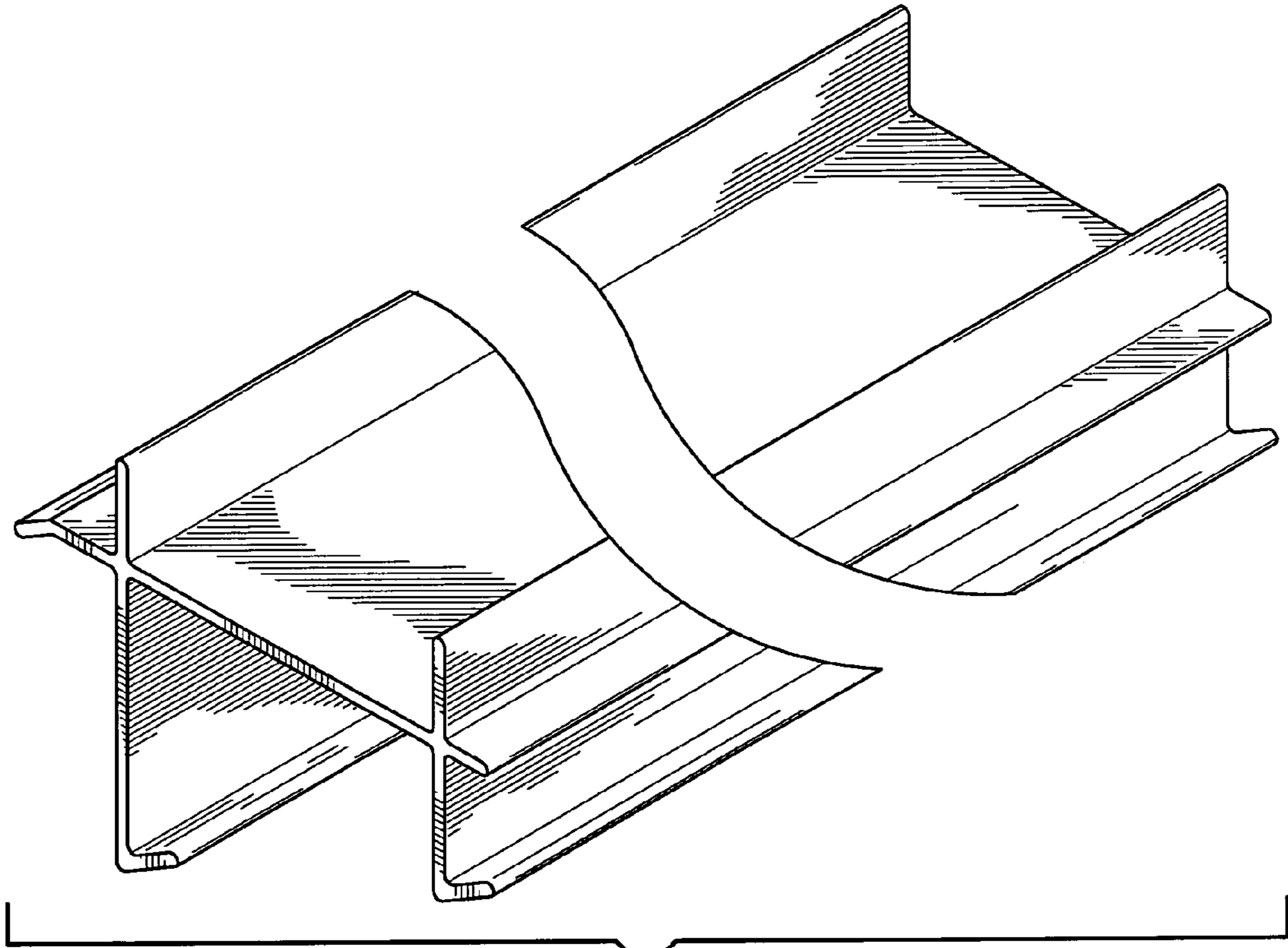


Fig. 7

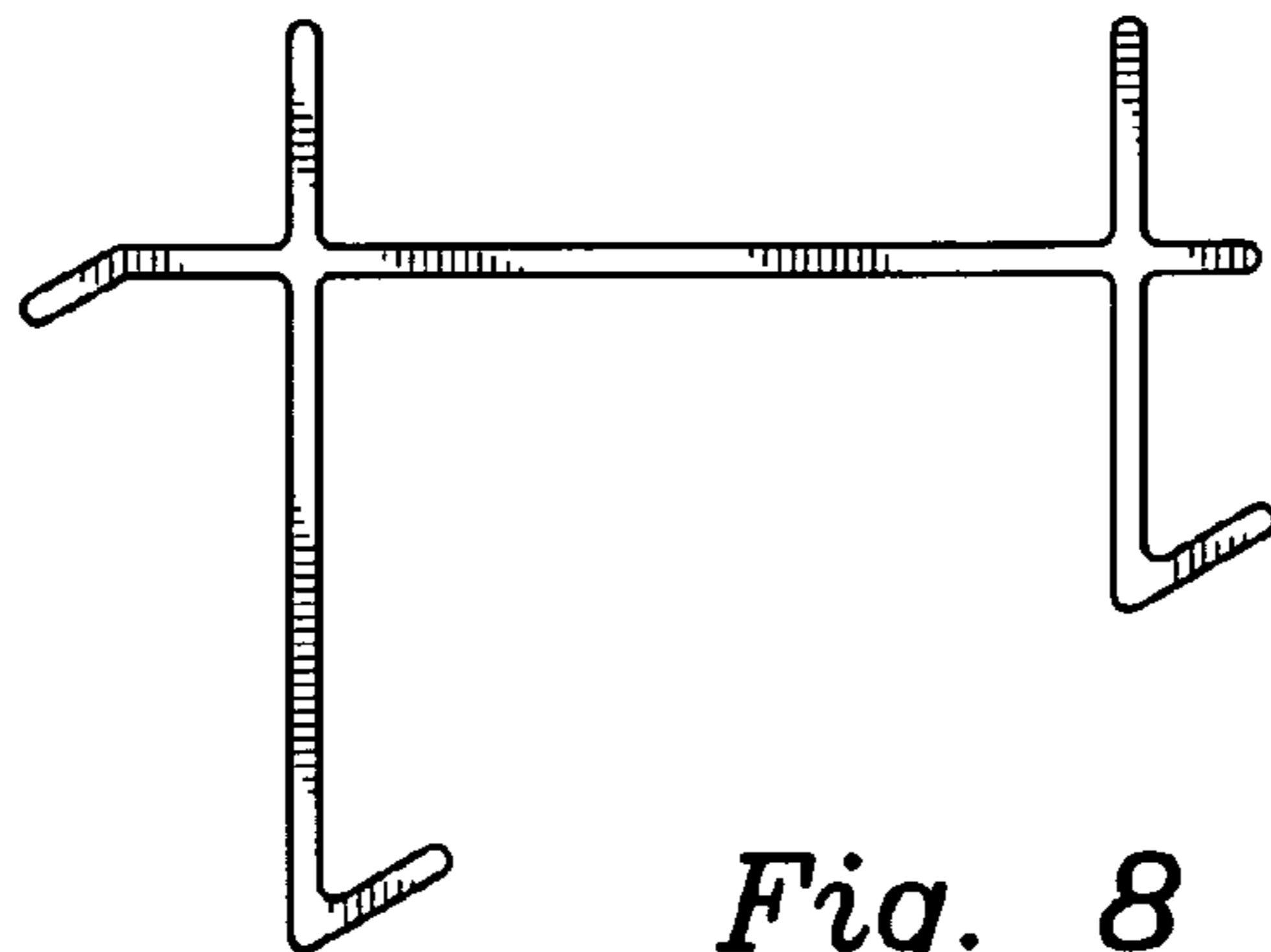


Fig. 8

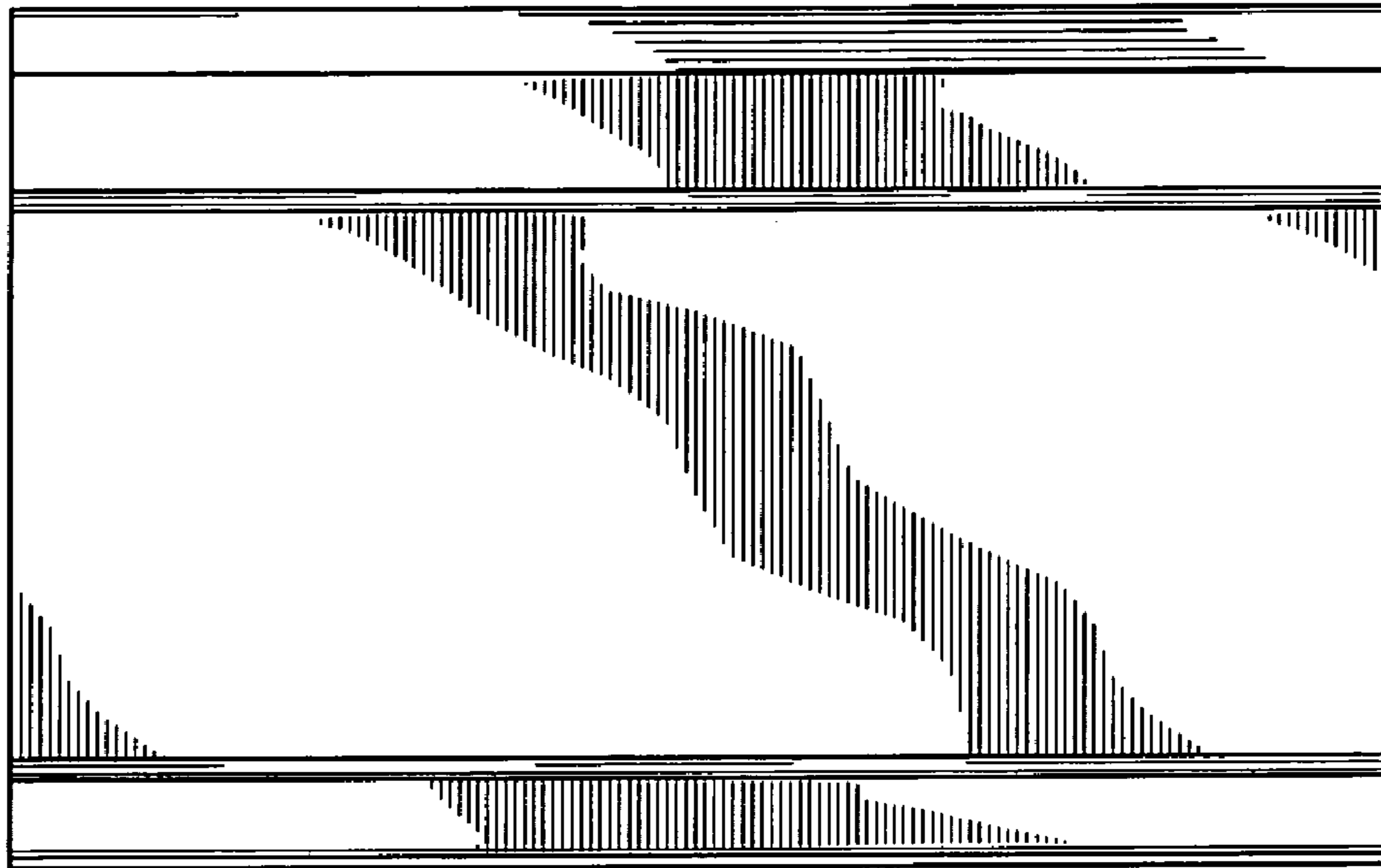


Fig. 9

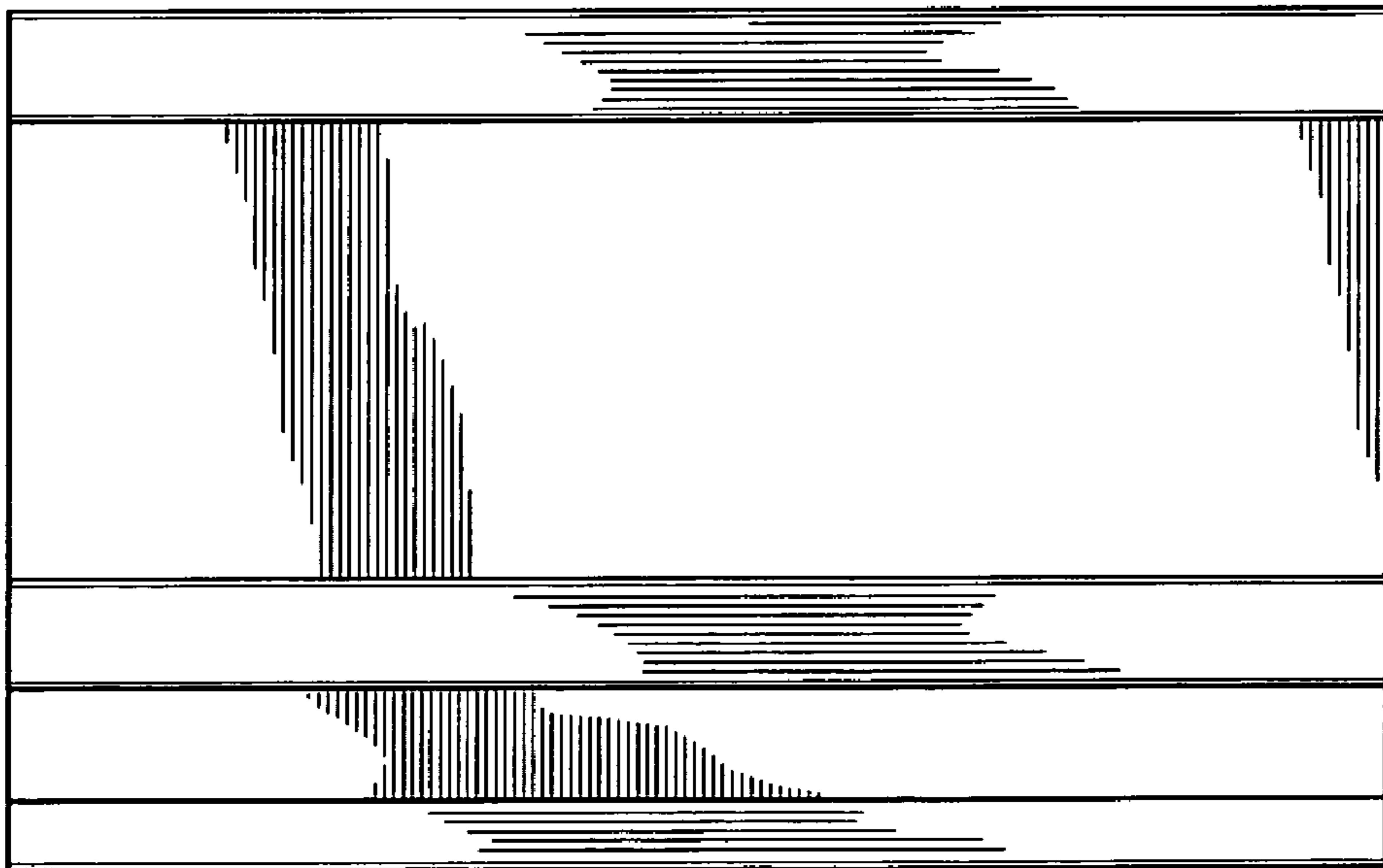


Fig. 10