



US00D624205S

(12) **United States Design Patent**
O'Connor

(10) **Patent No.:** **US D624,205 S**

(45) **Date of Patent:** **** Sep. 21, 2010**

(54) **INTERLOCKING MASONRY BLOCK**

(76) Inventor: **Daniel O'Connor**, 75 Maple Hill Dr.,
Millbrook, NY (US) 12545

(**) Term: **14 Years**

(21) Appl. No.: **29/346,544**

(22) Filed: **Nov. 2, 2009**

Related U.S. Application Data

(63) Continuation-in-part of application No. 11/159,049,
filed on Jun. 22, 2005, now Pat. No. 7,610,730.

(51) **LOC (9) Cl.** **25-01**

(52) **U.S. Cl.** **D25/113**

(58) **Field of Classification Search** D25/102,
D25/112-118; D21/484-486; 52/503-505,
52/574, 575, 596, 600-605; 405/284, 286;
404/29, 30, 34, 37, 41, 42

See application file for complete search history.

(56) **References Cited**

U.S. PATENT DOCUMENTS

D214,268	S *	5/1969	Phillips	D25/118
4,124,961	A *	11/1978	Habegger, deceased	D25/113
D266,875	S *	11/1982	dos Santos	D25/114
D342,795	S *	12/1993	Harrison	D25/118
D377,397	S *	1/1997	Craig	D25/118
5,623,797	A *	4/1997	Gravier et al.	52/604
6,082,067	A *	7/2000	Bott	52/604
6,223,493	B1 *	5/2001	Ruggeri	52/592.6
7,059,808	B2 *	6/2006	Risi	52/604

* cited by examiner

Primary Examiner—T. Chase Nelson

Assistant Examiner—Anhdao Doan

(74) *Attorney, Agent, or Firm*—Schmeiser, Olsen & Watts,
LLP

(57) **CLAIM**

The ornamental design for an interlocking masonry block, as shown and described.

DESCRIPTION

FIG. 1 is a perspective view showing a design for an interlocking masonry block on a smaller scale than FIG. 2 through FIG. 7;

FIG. 2 is a front view of a design for an interlocking masonry block;

FIG. 3 is a back view of a design for an interlocking masonry block;

FIG. 4 is a right side view of a design for an interlocking masonry block;

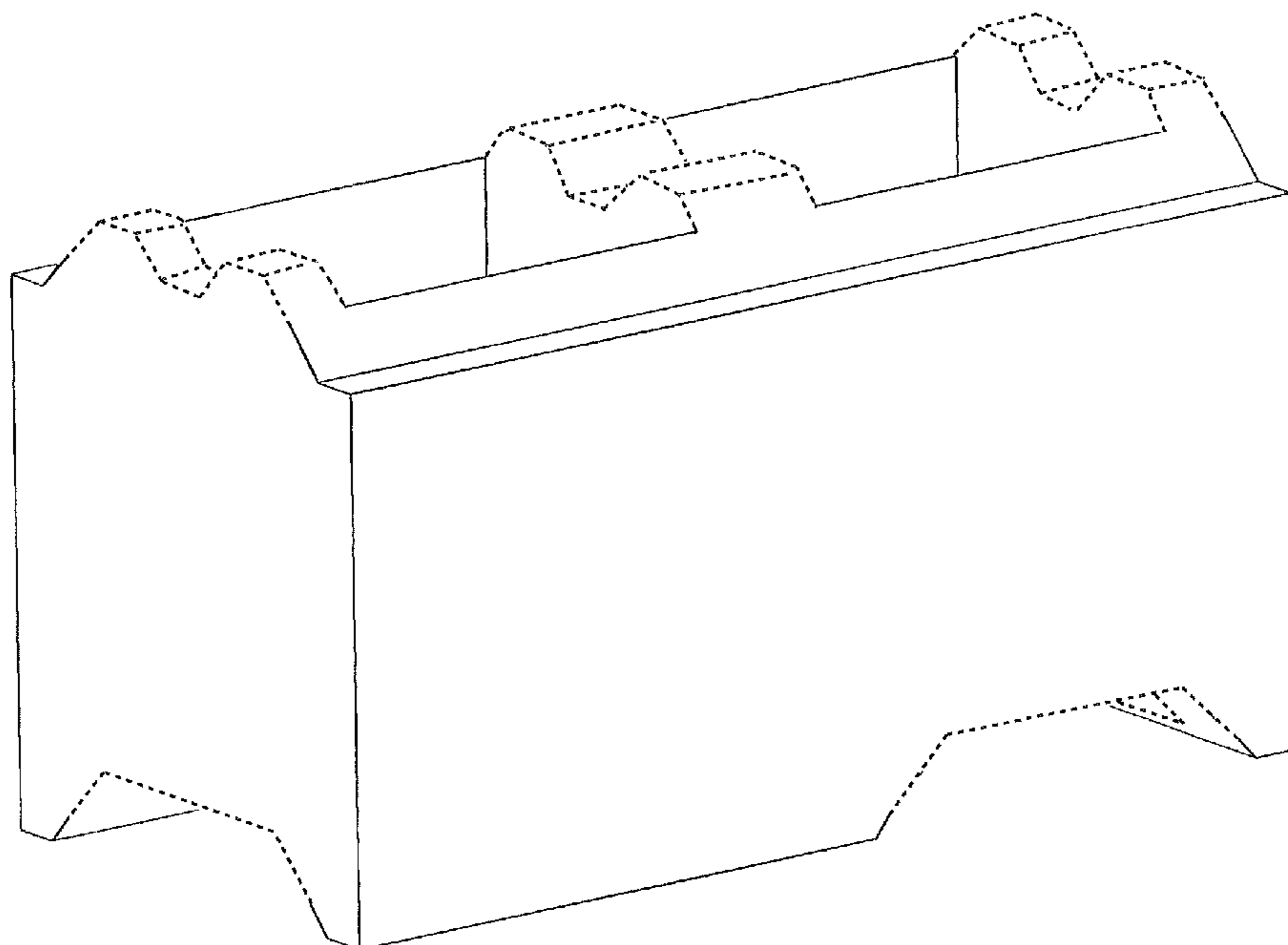
FIG. 5 is a left side view of a design for an interlocking masonry block;

FIG. 6 is a top view of a design for an interlocking masonry block; and,

FIG. 7 is a bottom view of a design for an interlocking masonry block.

The broken lines in the drawing views are included for the purpose of illustrating portions of the interlocking masonry block that form no part of the claimed design.

1 Claim, 7 Drawing Sheets



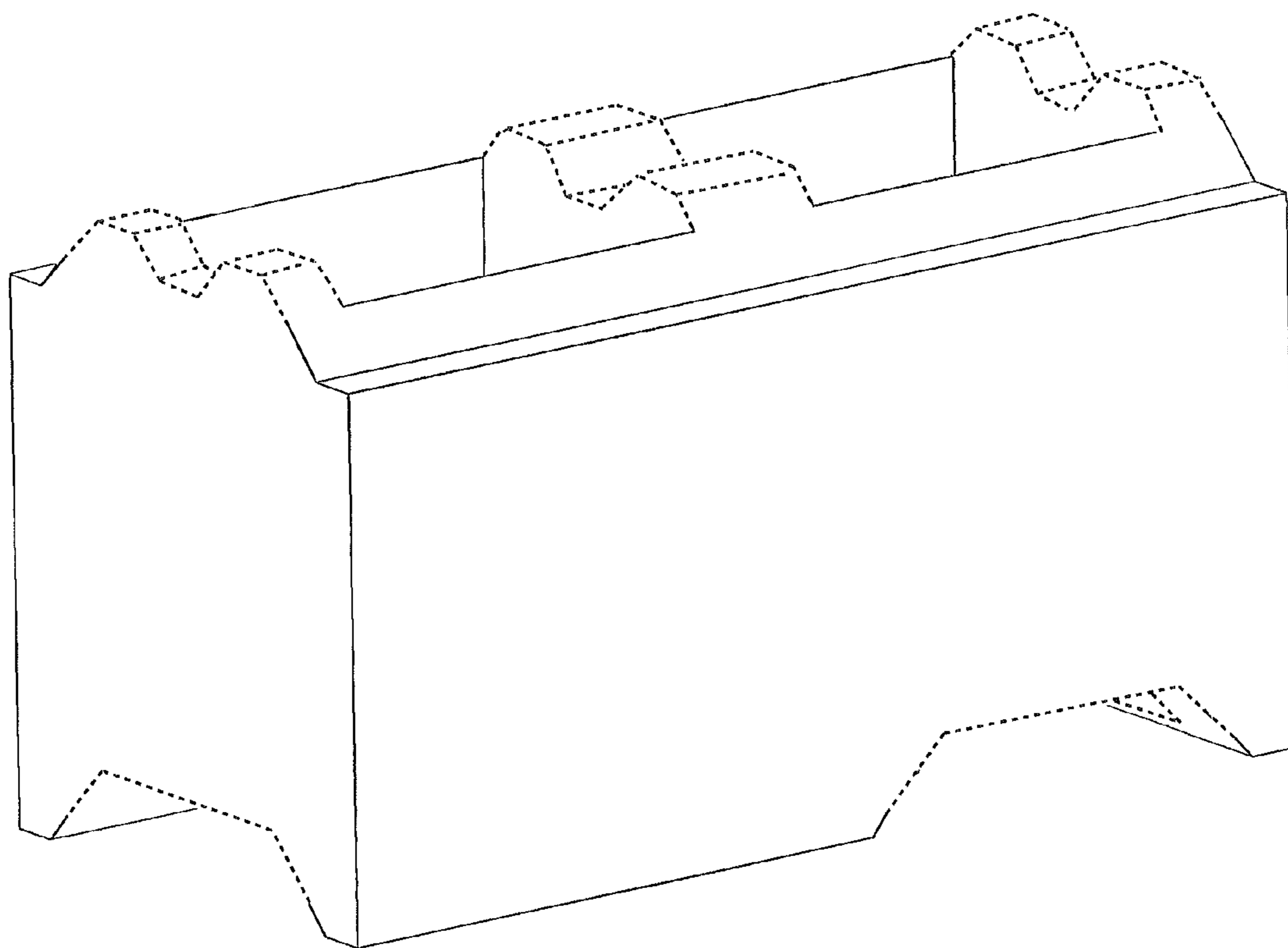


Figure 1

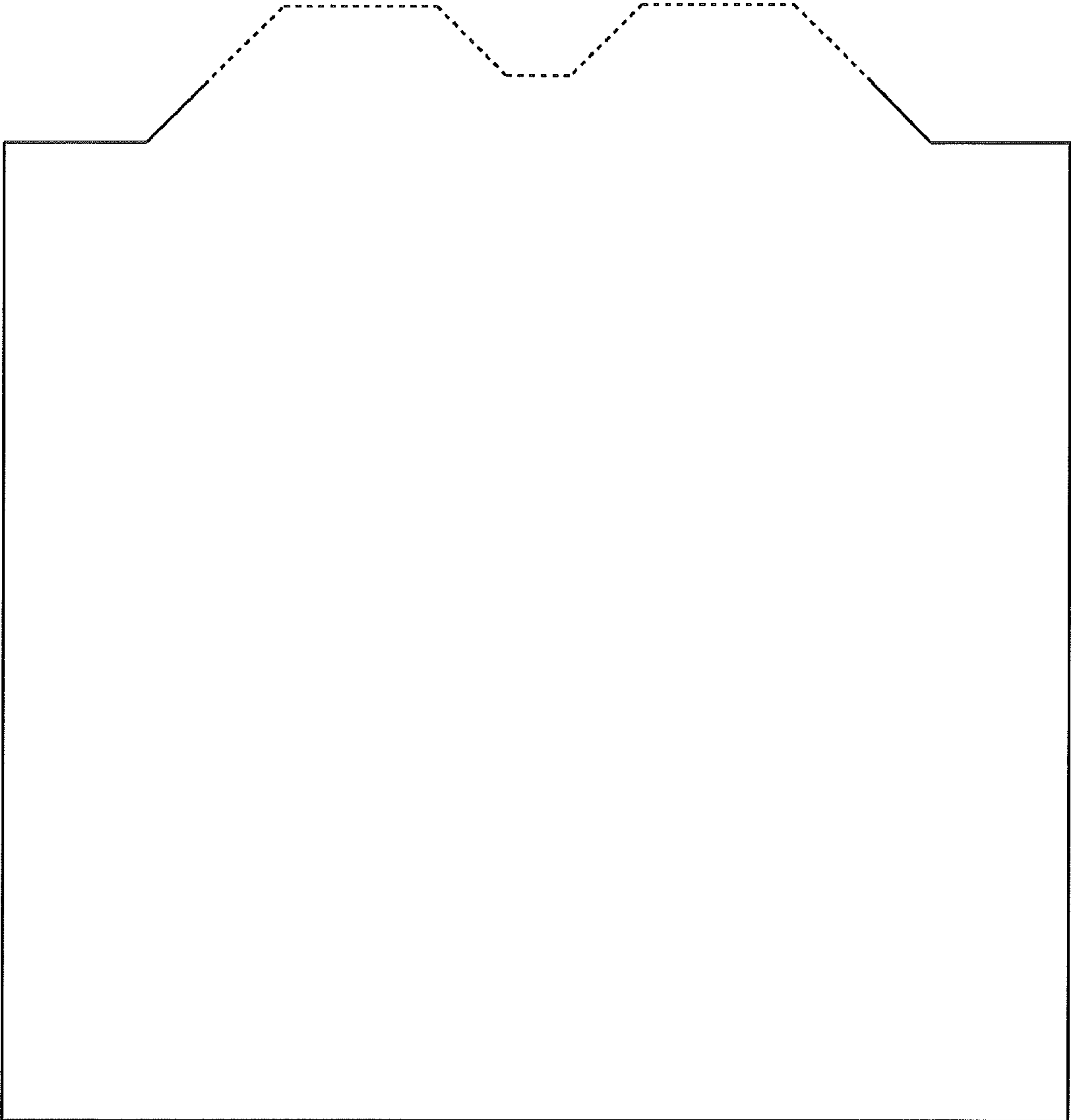


Figure 2

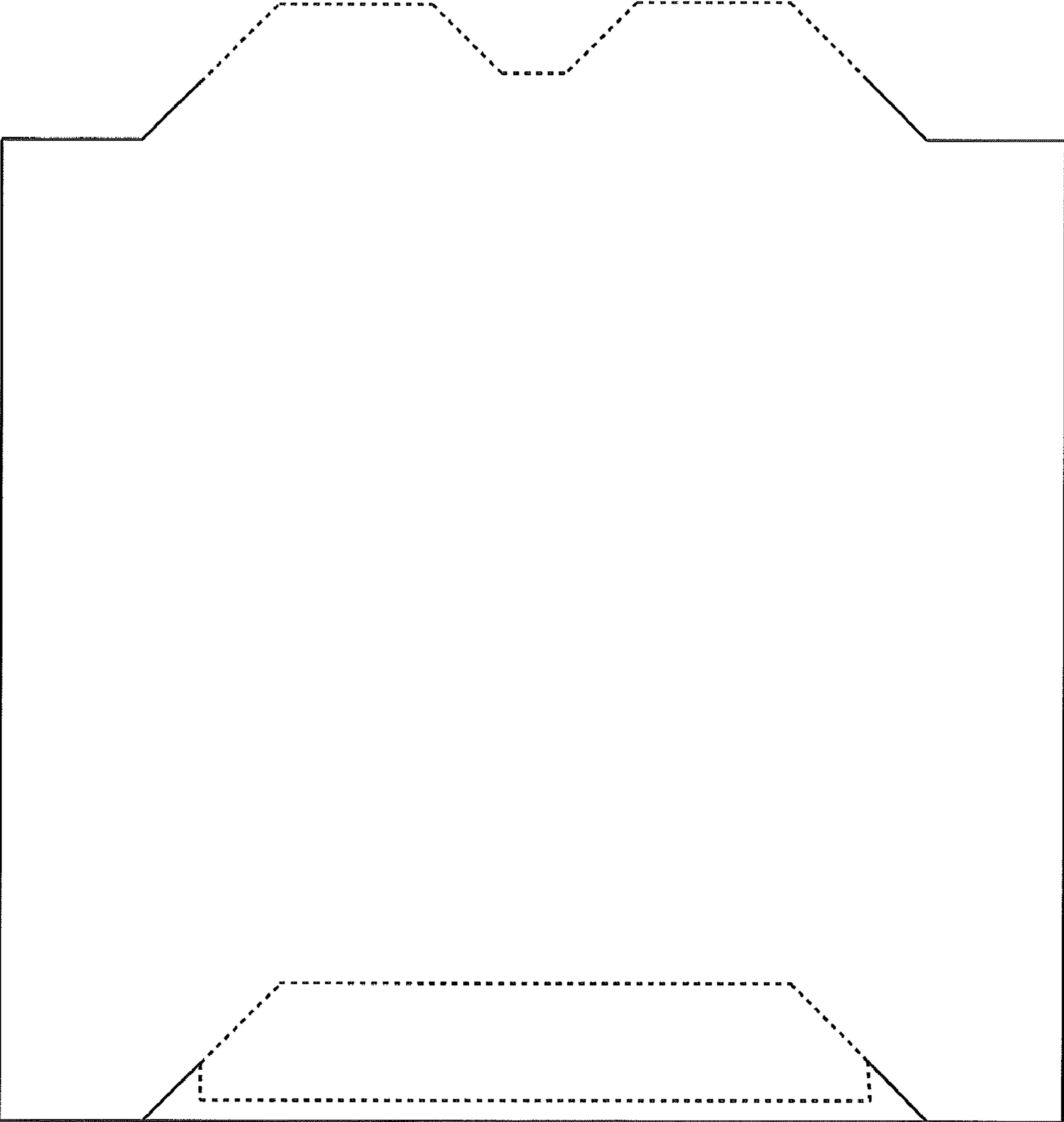


Figure 3

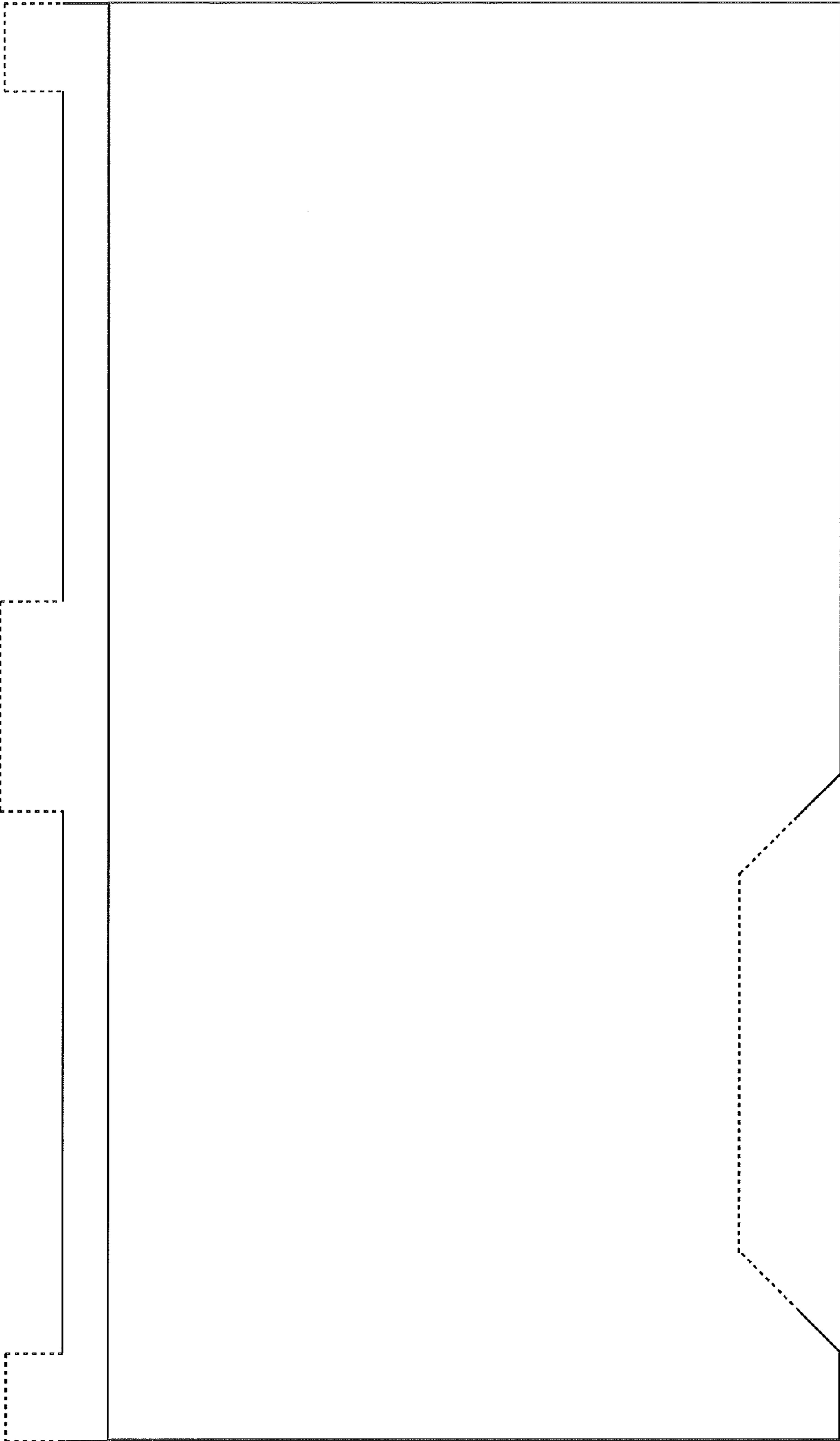


Figure 4

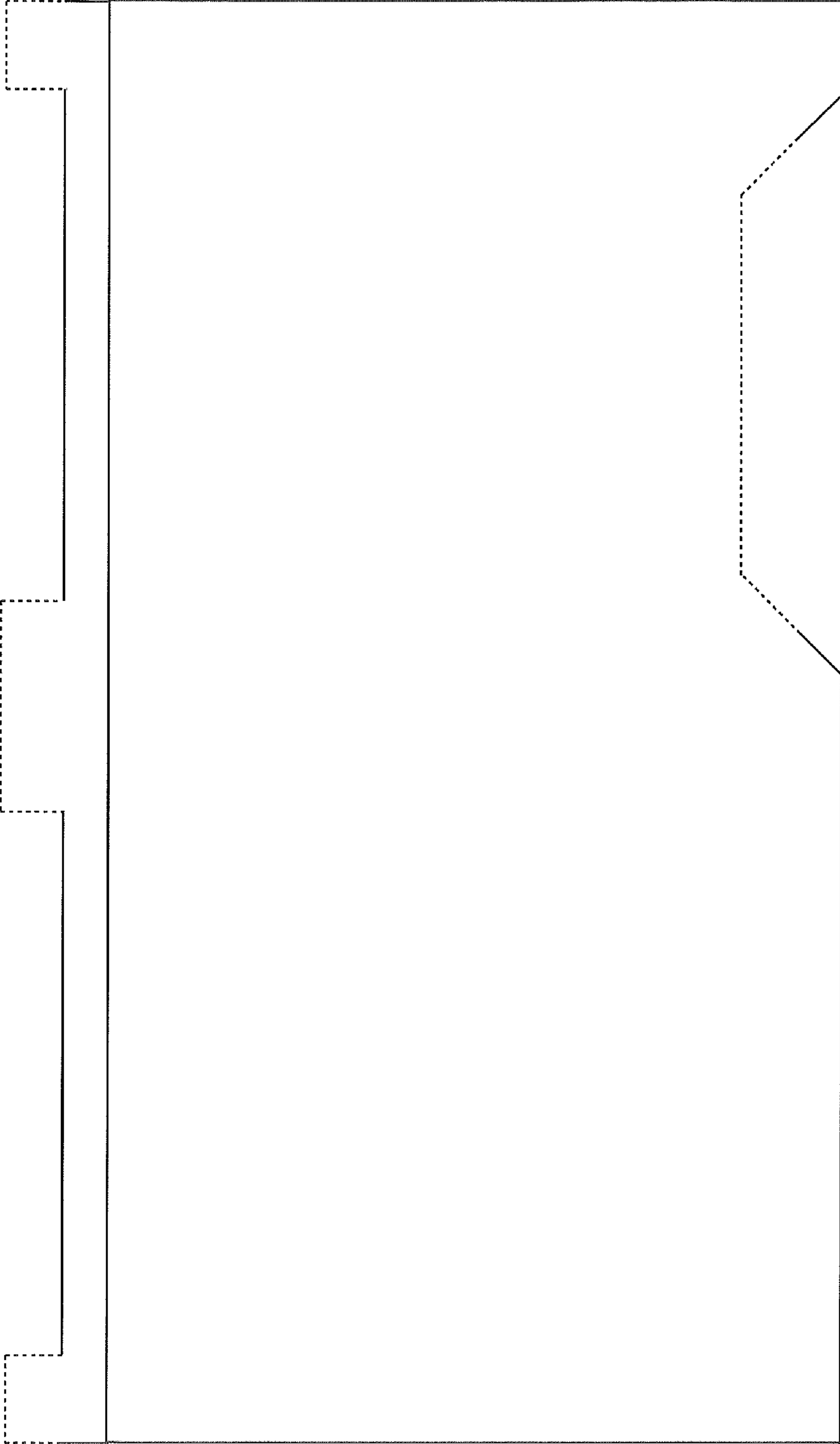


Figure 5

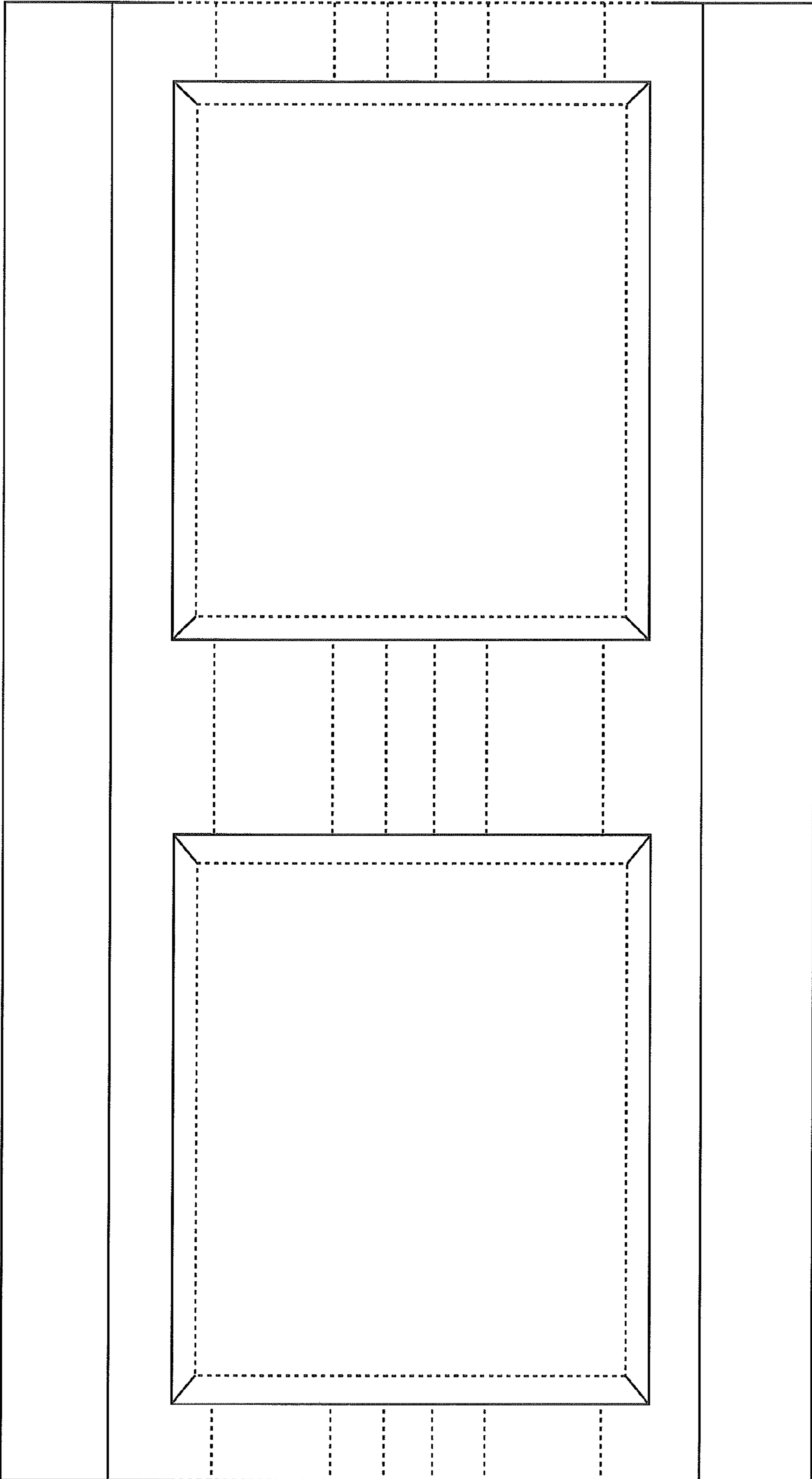


Figure 6

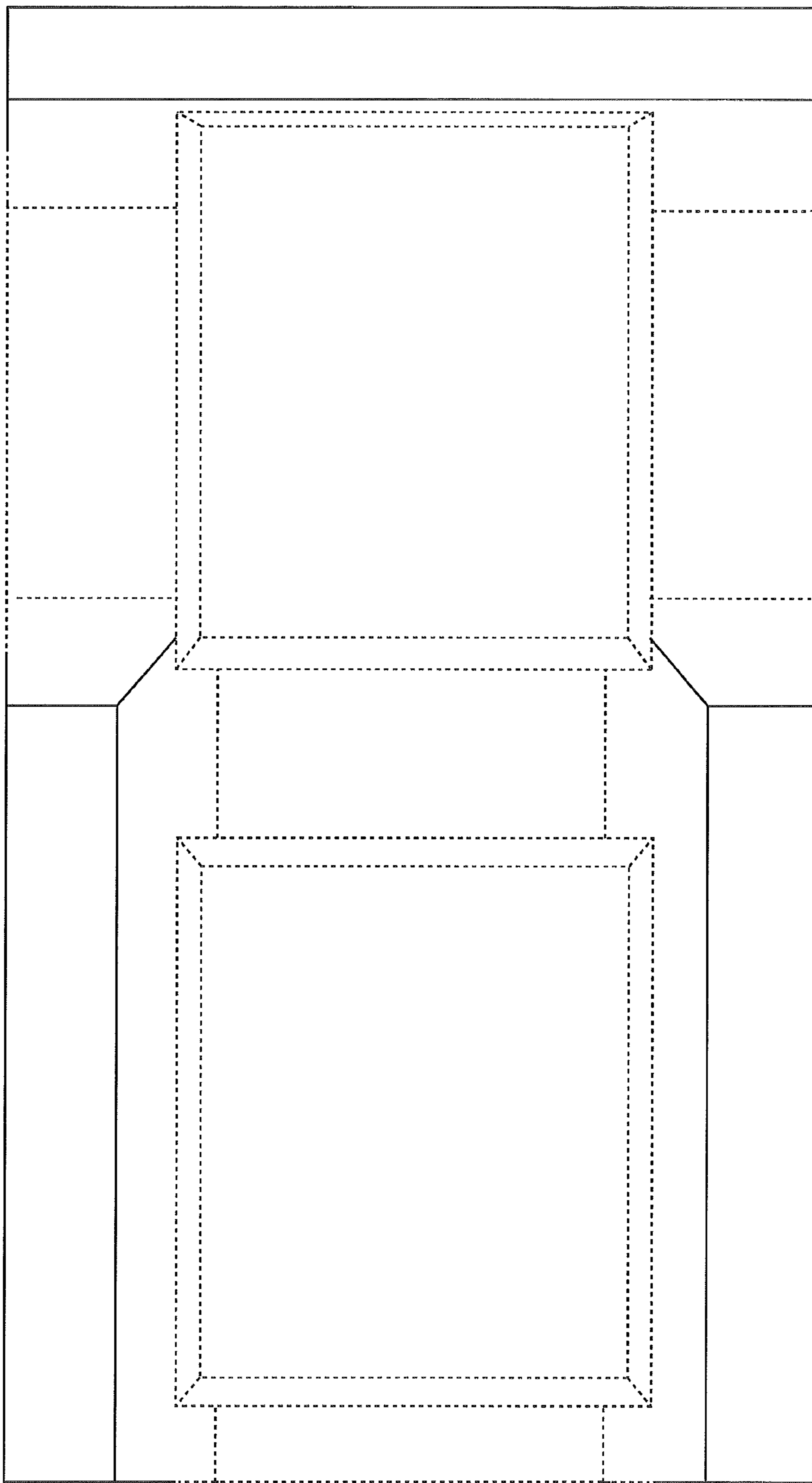


Figure 7