



US00D624204S

(12) **United States Design Patent**
Bott

(10) **Patent No.:** **US D624,204 S**

(45) **Date of Patent:** **** *Sep. 21, 2010**

(54) **MULTI-COMPONENT RETAINING WALL BLOCK**

(75) Inventor: **Timothy A. Bott**, Sunfish Lake, MN (US)

(73) Assignee: **Allan Block Corporation**, Edina, MN (US)

(*) Notice: This patent is subject to a terminal disclaimer.

(**) Term: **14 Years**

(21) Appl. No.: **29/342,670**

(22) Filed: **Aug. 28, 2009**

(51) **LOC (9) Cl.** **25-01**

(52) **U.S. Cl.** **D25/113**

(58) **Field of Classification Search** D25/102,
D25/112-118; D21/484-486; 52/503-505,
52/574, 575, 596, 600-605; 405/284, 286;
404/29, 30, 34, 37, 41, 42

See application file for complete search history.

(56) **References Cited**

U.S. PATENT DOCUMENTS

3,464,211	A	9/1969	Andresen	
3,877,236	A *	4/1975	O'Neill et al.	D25/113
D251,305	S *	3/1979	Ceglia	D25/118
4,372,091	A *	2/1983	Brown et al.	D25/115
4,597,236	A	7/1986	Braxton	
D300,863	S *	4/1989	McNeely	D25/113

(Continued)

FOREIGN PATENT DOCUMENTS

EP 0112213 B1 4/1987

(Continued)

OTHER PUBLICATIONS

Website for Poligono-Mauersystem: <http://www.ehl.de/productti.php?ProductId=529&MainPNId=6&SekPNId=47>
&PHPSESSID=a5d... Jul. 30, 2009.

Primary Examiner—T. Chase Nelson

Assistant Examiner—Anhdao Doan

(74) *Attorney, Agent, or Firm*—Fredrikson & Byron, P.A.

(57) **CLAIM**

The ornamental design for a multi-component retaining wall block, as shown and described.

DESCRIPTION

FIG. 1 is a front perspective view of the multi-component retaining wall block of my design shown assembled and stacked on a second assembled multi-component retaining wall block;

FIG. 2 is a right-side elevation view thereof, the left-side elevation view being a mirror image thereof;

FIG. 3 is a top plan view thereof;

FIG. 4 is a bottom plan view thereof;

FIG. 5 is a front elevation view thereof;

FIG. 6 is a rear elevation view thereof;

FIG. 7 is a front perspective view of another embodiment of the multi-component retaining wall block of my design shown assembled and stacked on a second assembled multi-component retaining wall block;

FIG. 8 is a right-side elevation view thereof, the left-side elevation view being a mirror image thereof;

FIG. 9 is top plan view thereof;

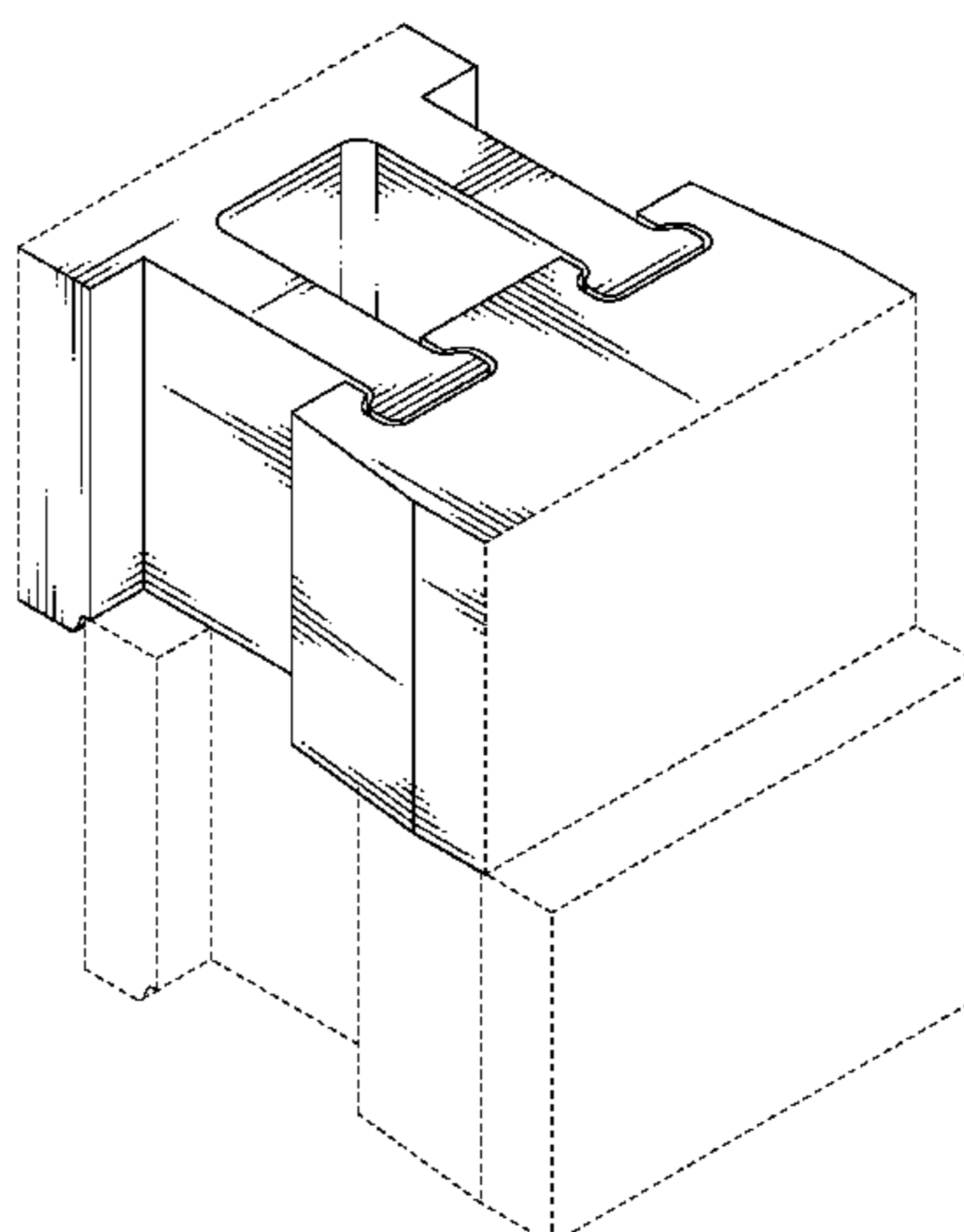
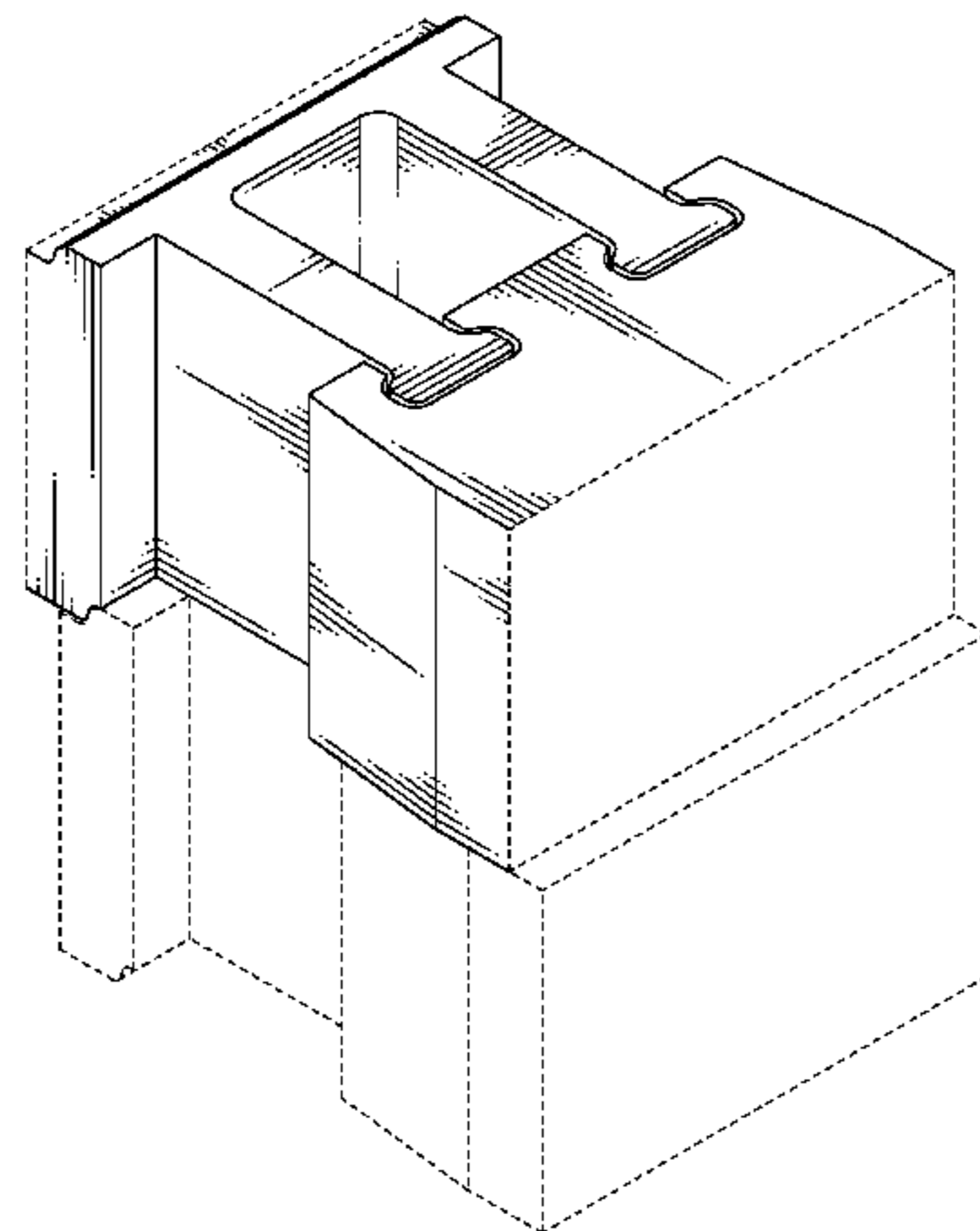
FIG. 10 is a bottom plan view thereof;

FIG. 11 is a front elevation view thereof; and,

FIG. 12 is a rear elevation view thereof.

The broken line showing of another multi-component retaining wall block in FIGS. 1 and 7 represents environmental structure, and all other broken lines in the views are included for the purpose of illustrating portions of the multi-component retaining wall block that form no part of the claimed design. None of the broken lines form a part of the claimed design.

1 Claim, 8 Drawing Sheets



US D624,204 S

Page 2

U.S. PATENT DOCUMENTS

4,896,999 A 1/1990 Ruckstuhl
4,909,010 A 3/1990 Gravier
5,315,802 A 5/1994 Hart
5,337,527 A 8/1994 Wagenaar
5,350,256 A 9/1994 Hammer
5,484,236 A 1/1996 Gravier
5,623,797 A 4/1997 Gravier et al.
5,688,078 A 11/1997 Hammer
5,788,423 A 8/1998 Perkins
5,820,304 A 10/1998 Sorheim et al.
5,878,545 A 3/1999 Gebhart
D411,315 S * 6/1999 Bott D25/113
6,062,772 A 5/2000 Perkins
6,226,951 B1 * 5/2001 Azar 52/604
6,250,850 B1 6/2001 Price et al.

D459,487 S * 6/2002 Bott D25/118
D475,143 S 5/2003 Hammer
D526,067 S * 8/2006 Rainey D25/114
D530,832 S * 10/2006 Rainey D25/114
D539,438 S * 3/2007 Price D25/113
D548,365 S * 8/2007 Price D25/113
7,410,328 B2 8/2008 Hamel
2004/0134154 A1 7/2004 Bott
2004/0161307 A1 8/2004 Hammer
2007/0196184 A1 8/2007 Hammer et al.
2009/0000234 A1 * 1/2009 Bott et al. 52/604

FOREIGN PATENT DOCUMENTS

EP 1862597 B1 12/2009
WO 20080157828 A2 12/2008

* cited by examiner

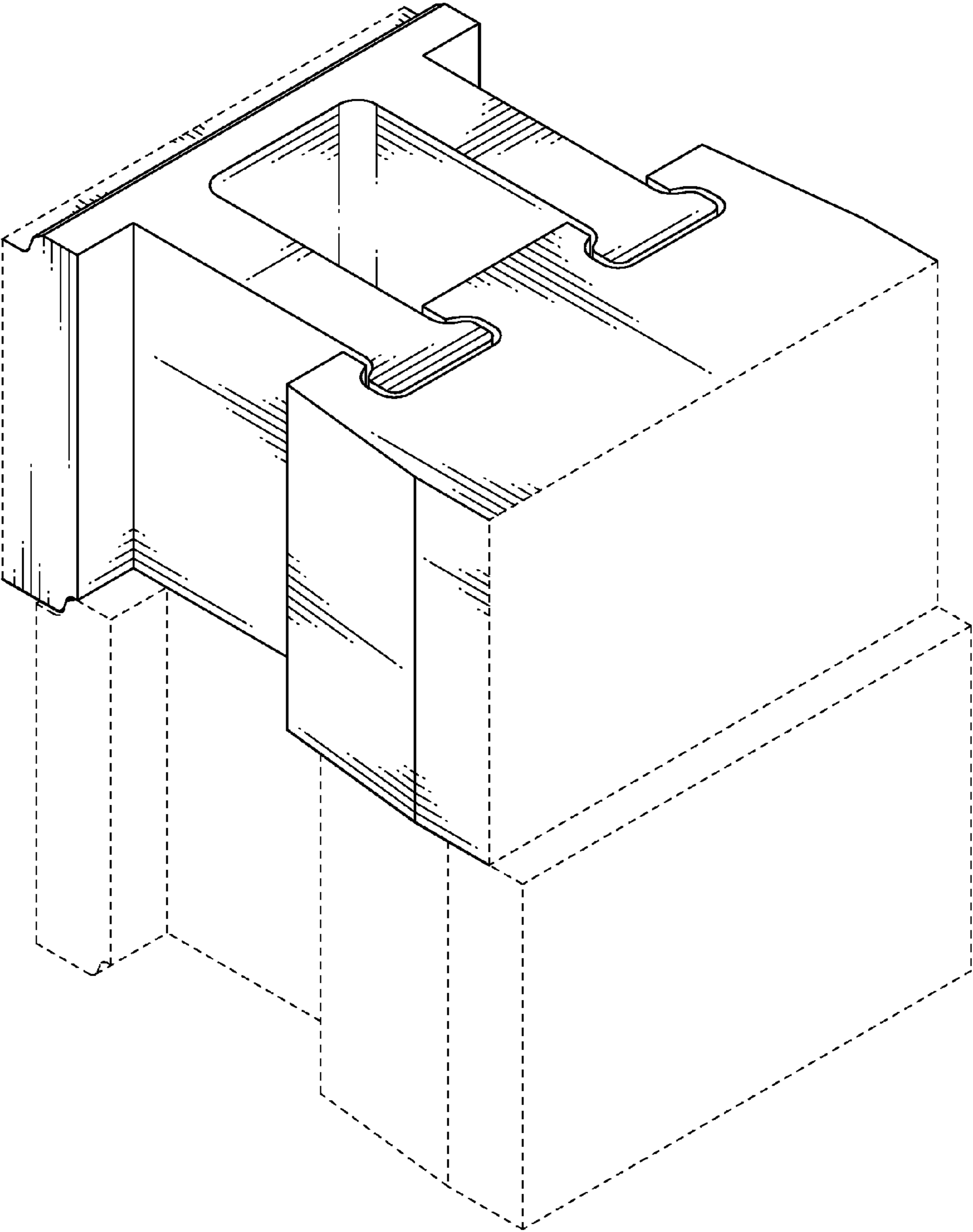


FIG. 1

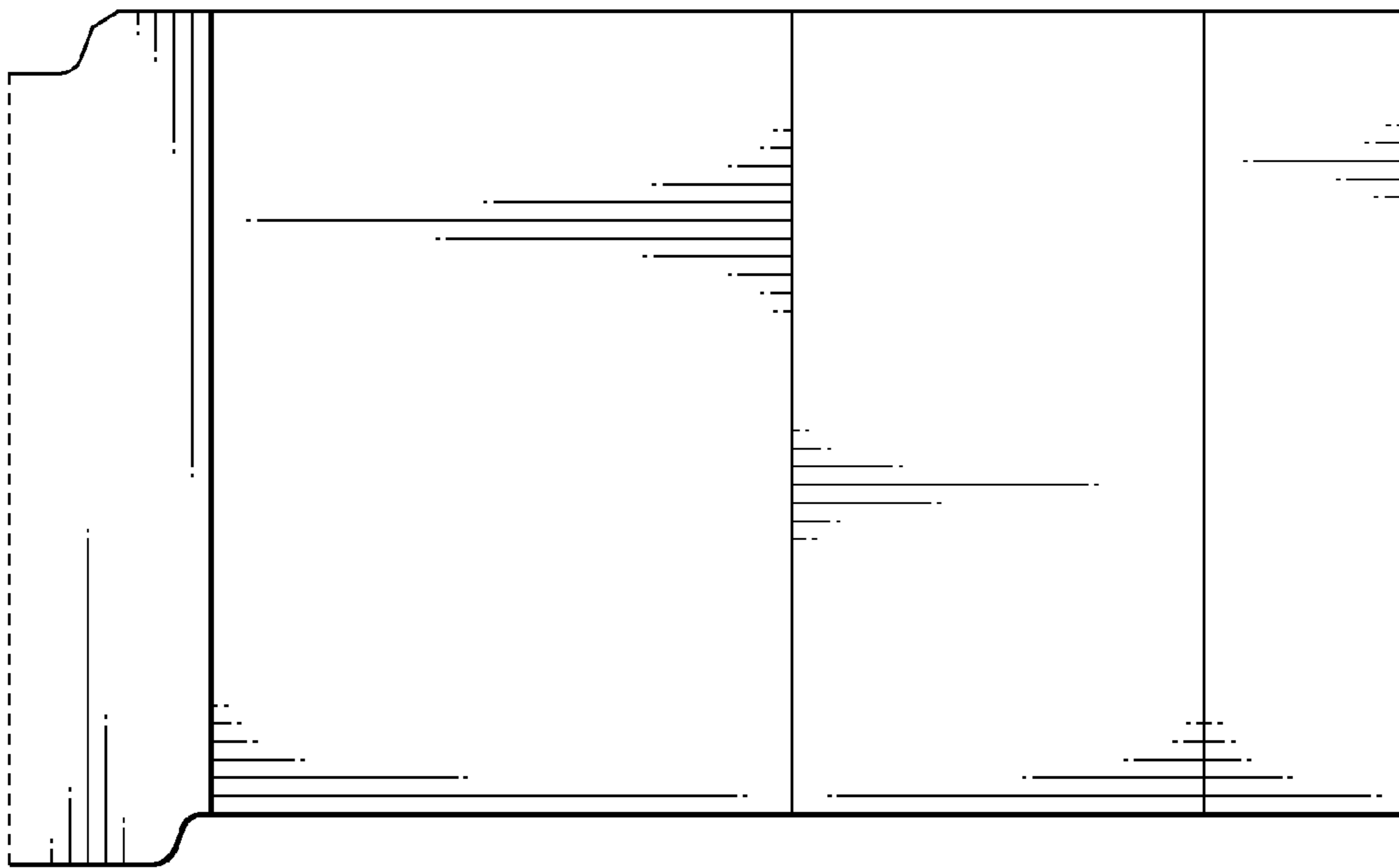


FIG. 2

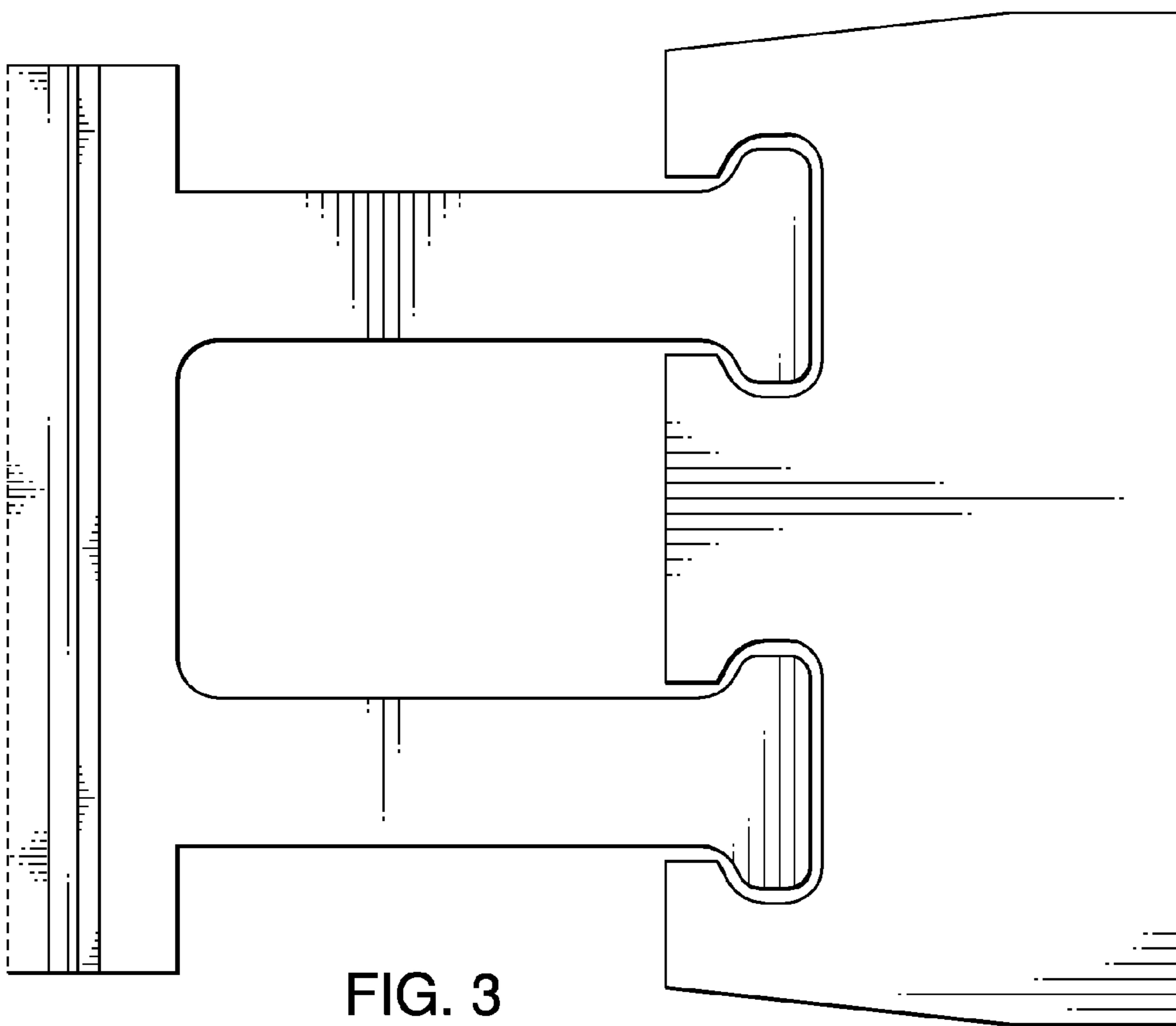


FIG. 3

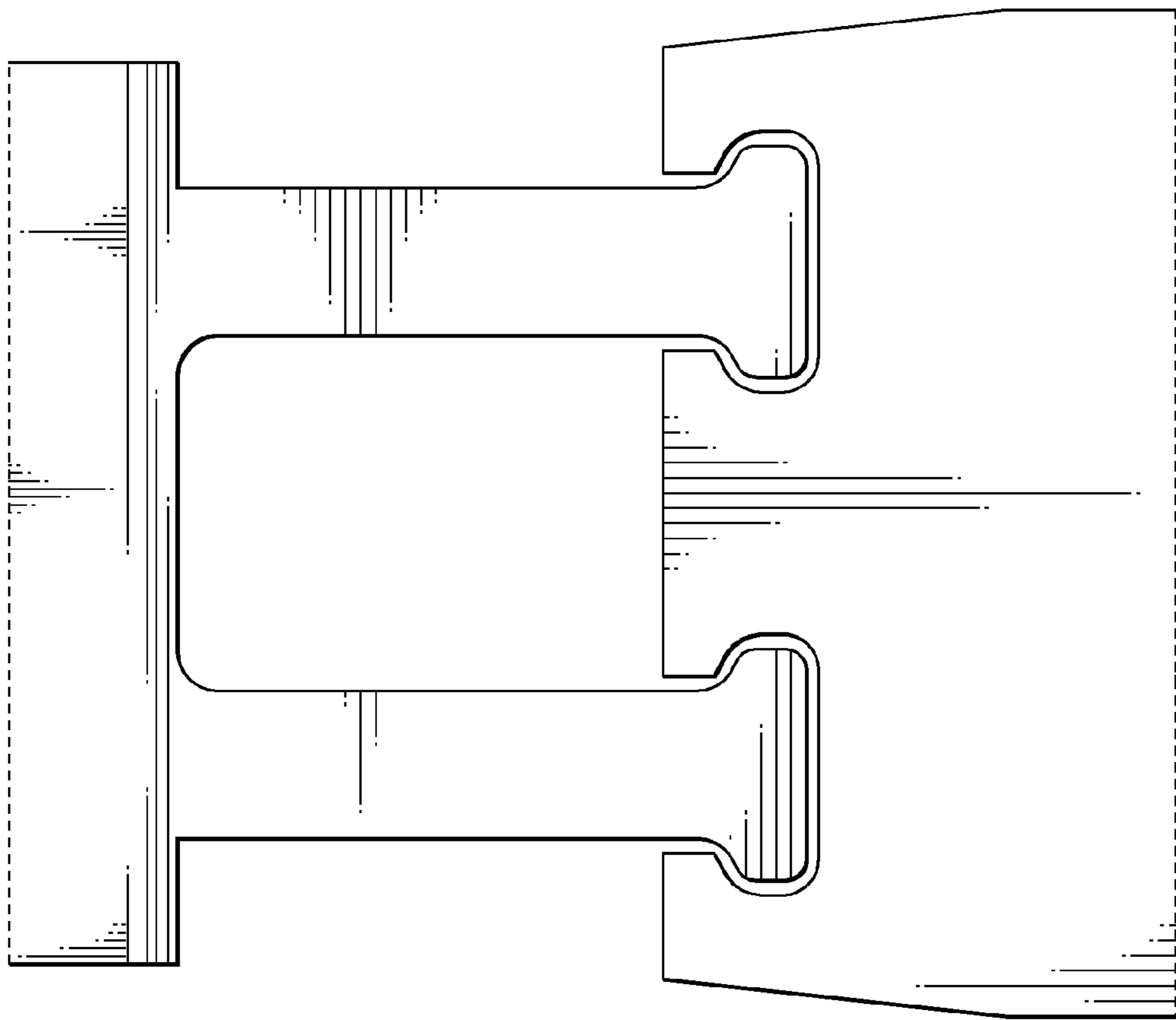


FIG. 4



FIG. 5

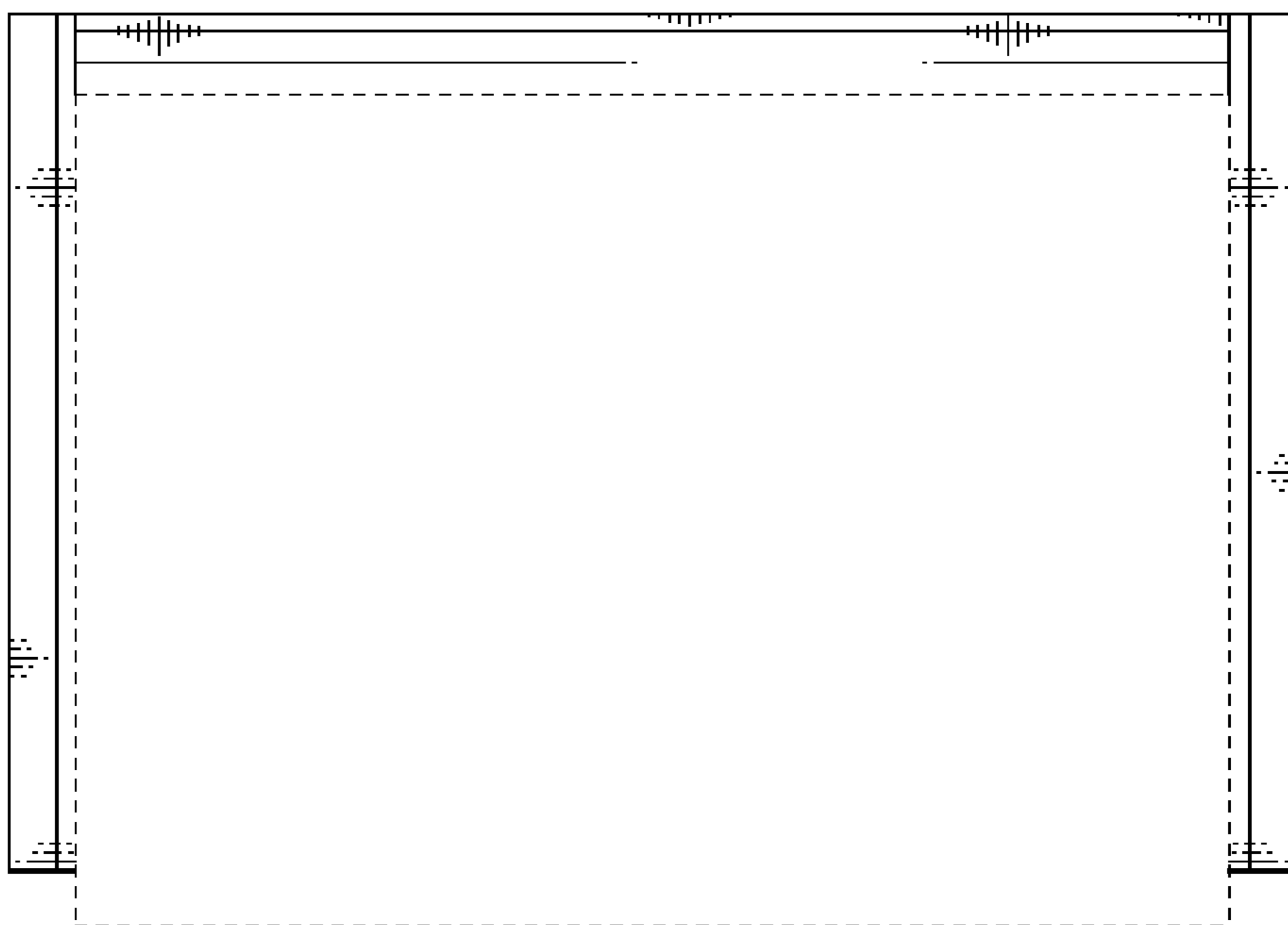


FIG. 6

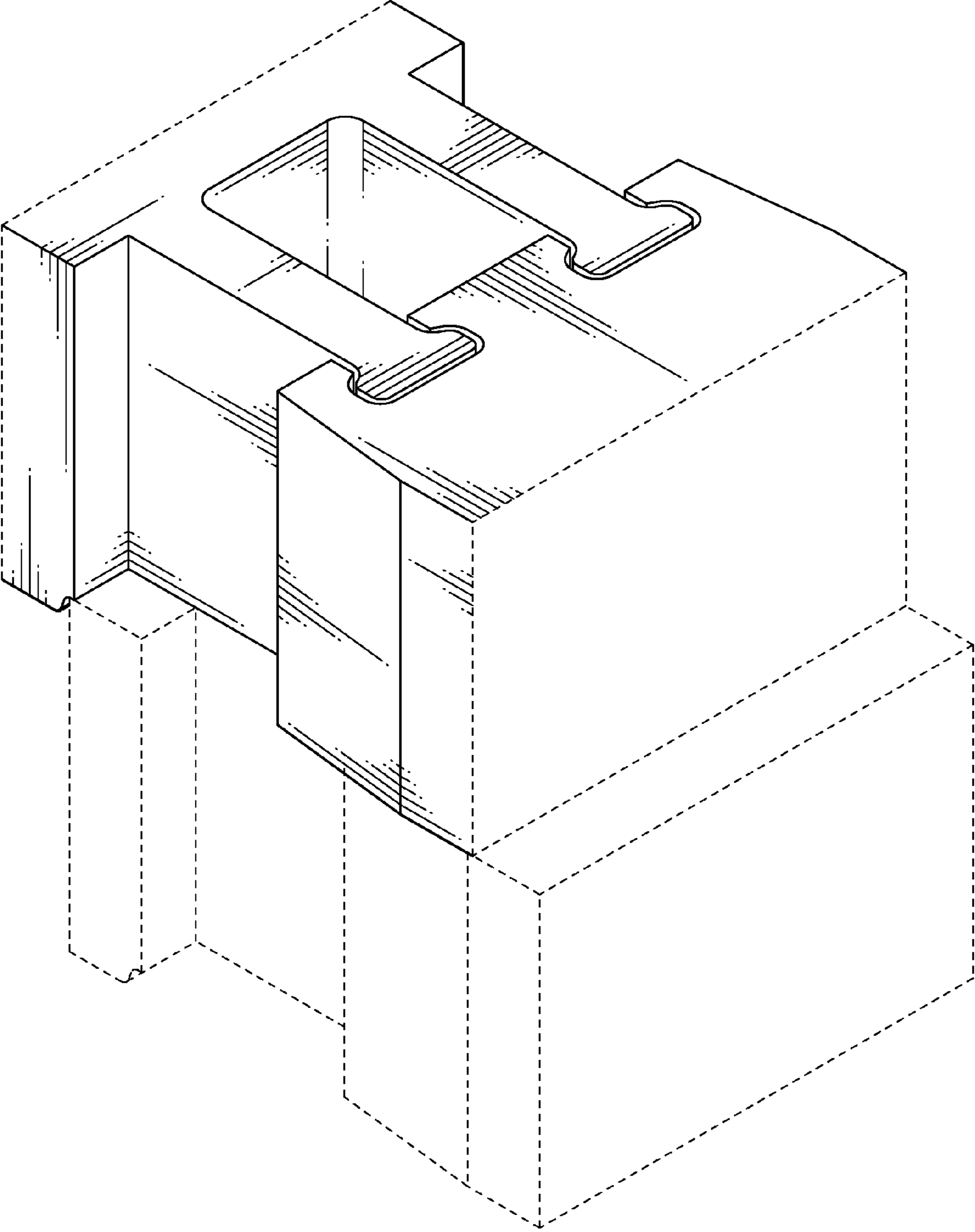


FIG. 7

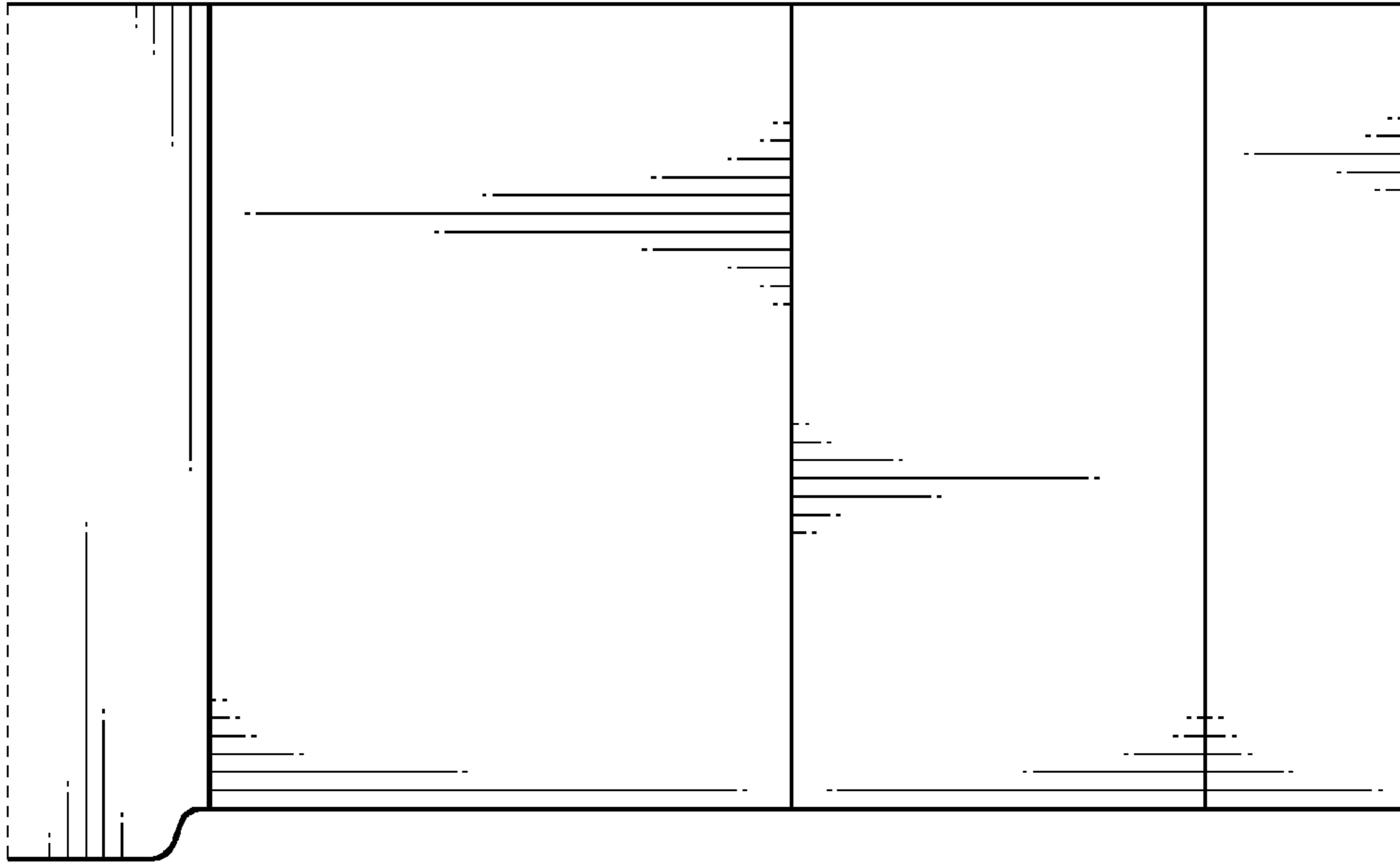


FIG. 8

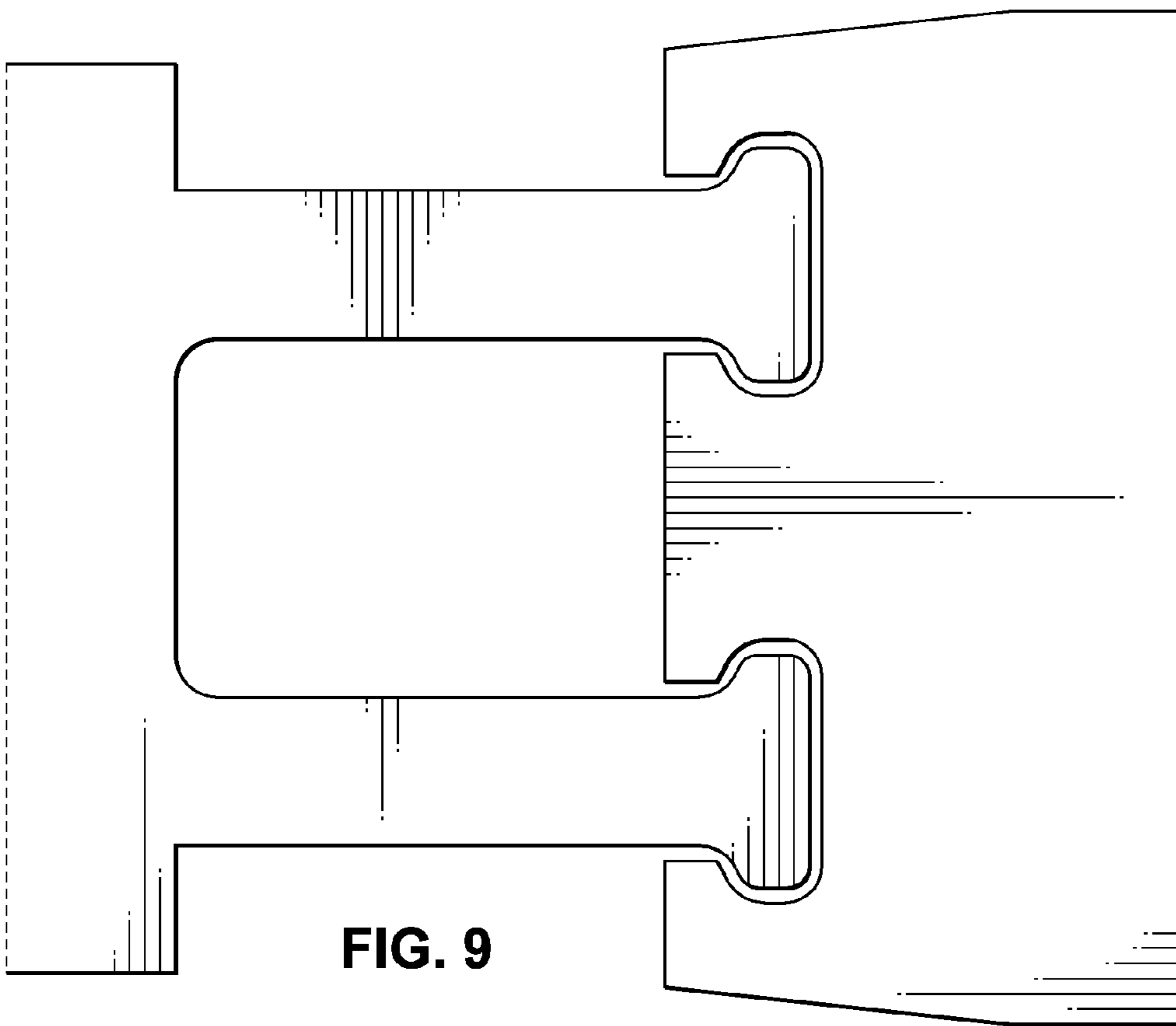


FIG. 9

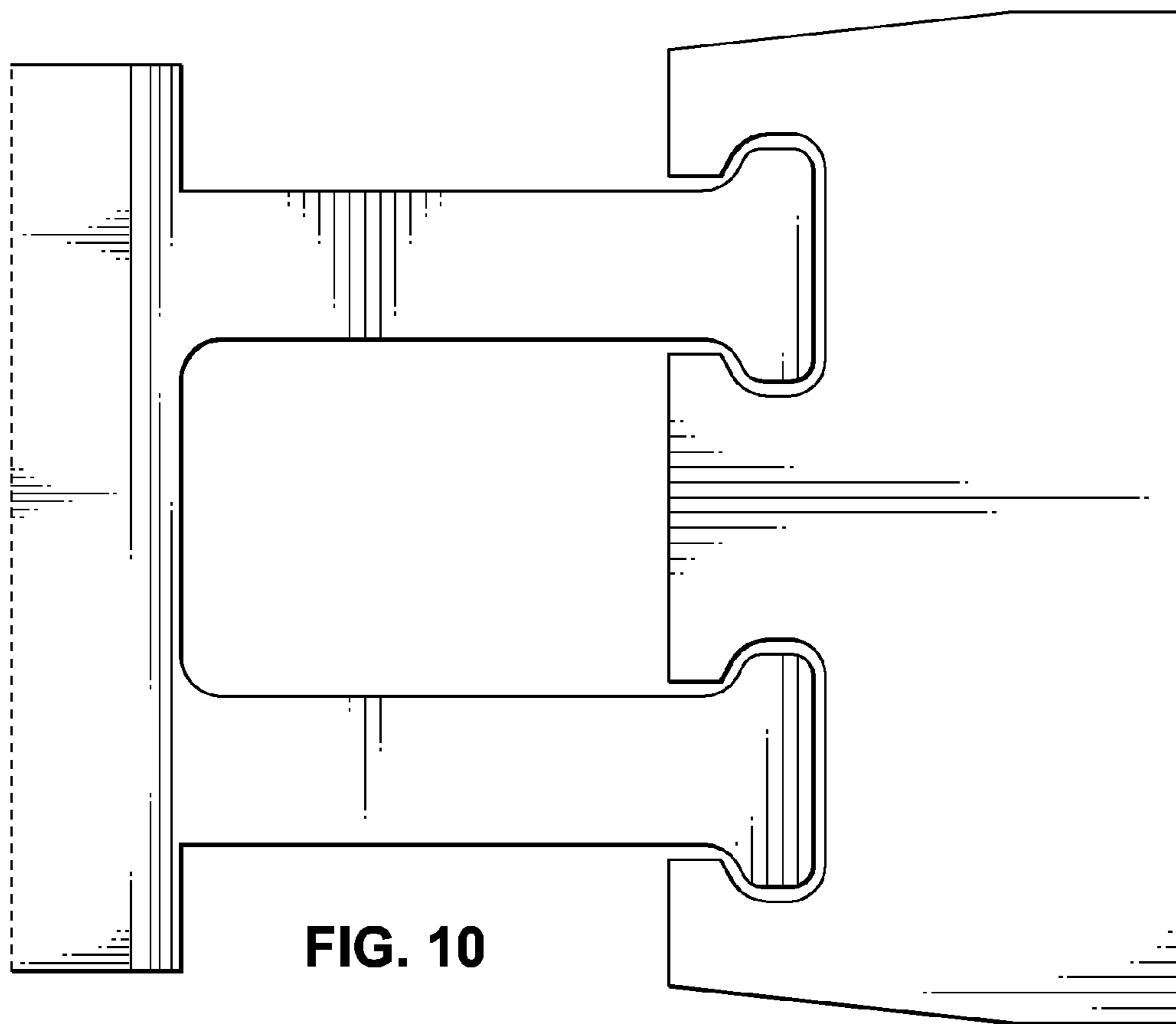


FIG. 10

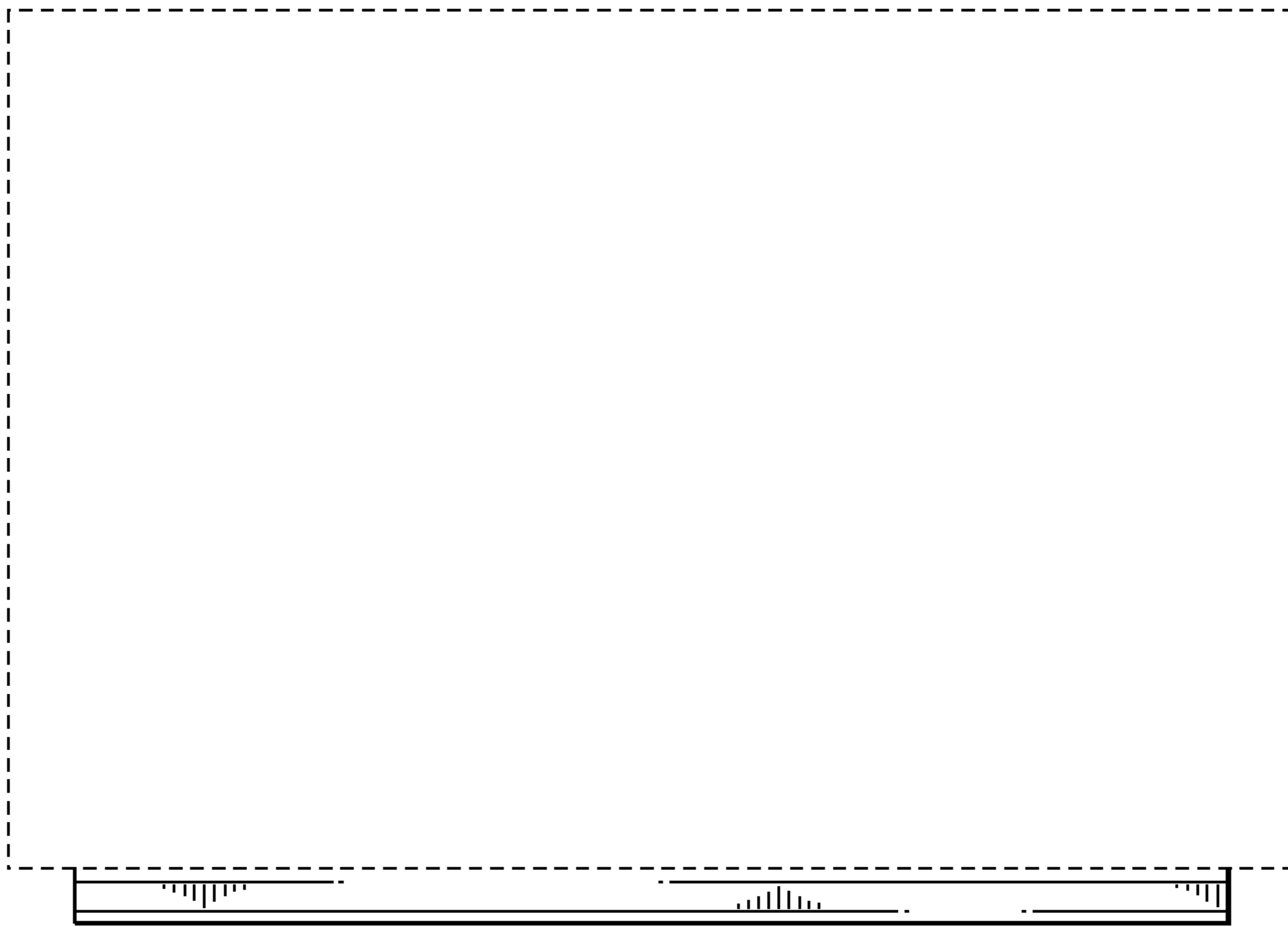


FIG. 11



FIG. 12