



US00D624199S

(12) **United States Design Patent**
VanElverdinghe

(10) **Patent No.:** **US D624,199 S**

(45) **Date of Patent:** **** Sep. 21, 2010**

(54) **CANOPY FRAME**

(76) **Inventor:** **Jeffrey L. VanElverdinghe**, 4537 SW.
164th Pl., Beaverton, OR (US) 97007

(**) **Term:** **14 Years**

(21) **Appl. No.:** **29/344,038**

(22) **Filed:** **Sep. 22, 2009**

Related U.S. Application Data

(63) Continuation of application No. 29/327,826, filed on
Nov. 13, 2008, now Pat. No. Des. 603,059.

(51) **LOC (9) Cl.** **25-02**

(52) **U.S. Cl.** **D25/61**

(58) **Field of Classification Search** D25/56,
D25/61; 135/906, 124, 87, 908, 121; 160/19
See application file for complete search history.

(56) **References Cited**

U.S. PATENT DOCUMENTS

D30,268 S	2/1899	Wittbold
D189,022 S	10/1960	Feffer
3,976,014 A	8/1976	Brown
4,124,123 A	11/1978	Armington et al.
4,150,682 A	4/1979	Ryce
4,285,176 A	8/1981	Runkle
4,347,690 A	9/1982	Wallace, Jr.
4,381,629 A	5/1983	Ahn
4,453,558 A	6/1984	Ochs et al.
4,633,626 A	1/1987	Freeman et al.
D297,864 S	9/1988	Funk

(Continued)

FOREIGN PATENT DOCUMENTS

WO WO2008/039803 A2 4/2008

OTHER PUBLICATIONS

U.S. Appl. No. 29/317,312, VanElverdinghe.

(Continued)

Primary Examiner—Doris Clark

(74) *Attorney, Agent, or Firm*—Joseph P. Curtin, L.L.C.

(57) **CLAIM**

I claim the ornamental design for a canopy frame, as shown
and described.

DESCRIPTION

FIG. 1 is an end view of a canopy frame according to the
subject matter disclosed herein;

FIG. 2 is an isometric view of a canopy frame according to the
subject matter disclosed herein;

FIG. 3 is a side view of a canopy frame according to the
subject matter disclosed herein;

FIG. 4 is a top view of a canopy frame according to the subject
matter disclosed herein;

FIG. 5 is an enlarged end view of a lower section of a canopy
frame shown in FIG. 1 according to the subject matter dis-
closed herein;

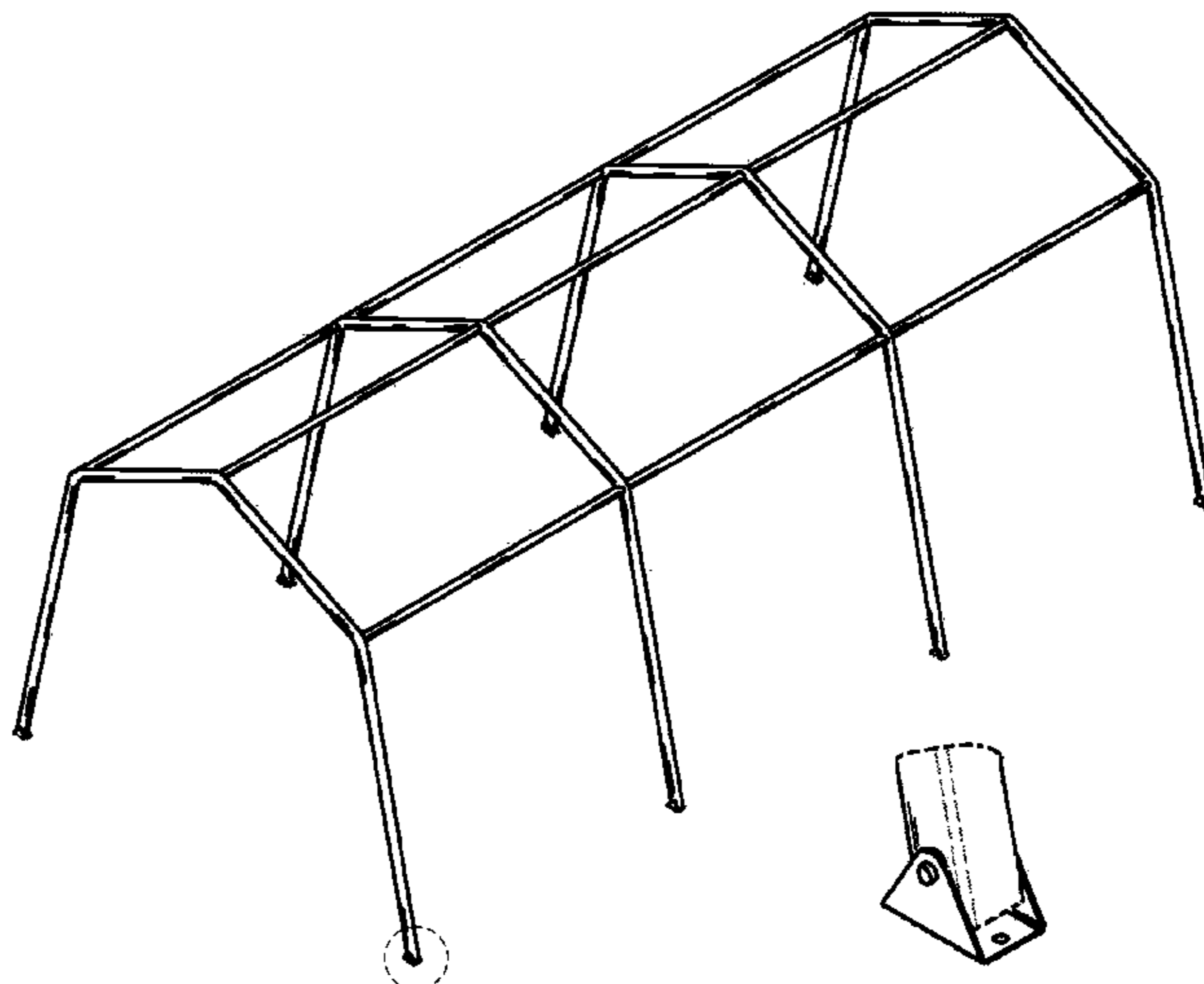
FIG. 6 is an enlarged isometric view of a lower section of a
canopy frame shown in FIG. 2 according to the subject matter
disclosed herein;

FIG. 7 is an enlarged side view of a lower section of a canopy
frame shown in FIG. 3 according to the subject matter dis-
closed herein; and,

FIG. 8 is an enlarged top view of a lower section of a canopy
frame shown in FIG. 4 according to the subject matter dis-
closed herein.

The ornamental design, which is claimed, is shown in solid
lines in the drawings. The broken lines in the drawings are for
illustrative purposes only and form no part of the claimed
design.

1 Claim, 4 Drawing Sheets



US D624,199 S

Page 2

U.S. PATENT DOCUMENTS

D302,593 S	8/1989	Haldorsen	6,196,245 B1	3/2001	Eastman
4,852,599 A	8/1989	McNamara	D445,916 S	7/2001	Pritchard
4,865,066 A	9/1989	Brooks	6,289,909 B1	9/2001	Wood
4,887,627 A	12/1989	Audet	D449,115 S	10/2001	Harris
5,117,853 A	6/1992	Pruesner	6,360,492 B1	3/2002	Ross
5,167,246 A	12/1992	Mortenson	6,367,495 B1	4/2002	Powell et al.
5,185,972 A	2/1993	Markiewicz	6,367,496 B1	4/2002	Rempel et al.
D343,688 S	1/1994	Jason	6,502,593 B1	1/2003	Stafford
5,289,665 A	3/1994	Higgins	6,505,638 B1	1/2003	Powell et al.
5,293,725 A	3/1994	Matticks et al.	6,581,616 B1	6/2003	Venegas, Jr.
D374,088 S	9/1996	Collier	D478,998 S	8/2003	Funk
5,584,156 A	12/1996	Lange	6,615,550 B2	9/2003	Reuschel et al.
5,584,311 A	12/1996	Schaefer	6,631,590 B1	10/2003	Glowaski
5,588,274 A	12/1996	Lange	6,679,009 B2	1/2004	Hotes
5,598,668 A	2/1997	Isom	6,758,230 B2	7/2004	Bogart, Jr.
5,638,848 A	6/1997	November	6,988,505 B2	1/2006	Powell et al.
5,638,851 A	6/1997	Baldwin	6,994,099 B2	2/2006	Goldwitz
5,660,002 A	8/1997	Lashinger	7,275,555 B2	10/2007	Powell et al.
5,709,238 A	1/1998	Mattioli	7,296,584 B2	11/2007	Goldwitz
5,711,337 A	1/1998	McKenney	2002/0043030 A1	4/2002	Bogart, Jr.
5,737,883 A	4/1998	Rose	2002/0108646 A1	8/2002	Hotes
5,813,737 A	9/1998	Stone	2004/0035454 A1	2/2004	Tseng
D409,310 S	5/1999	Goldwitz	2005/0194029 A1	9/2005	Goldwitz
D414,564 S	9/1999	Goldwitz	2005/0194031 A1	9/2005	Goldwitz
D415,572 S	10/1999	Goldwitz	2006/0231128 A1	10/2006	Loudermilk et al.
6,014,982 A *	1/2000	Strevey 135/124	2008/0017231 A1	1/2008	Chen
D420,751 S	2/2000	Powell et al.	2008/0035194 A1	2/2008	Goldwitz
6,019,112 A	2/2000	Matlock			
D430,306 S	8/2000	Goldwitz			
6,112,756 A	9/2000	Tseng			
6,155,280 A	12/2000	Powell et al.			
6,170,503 B1	1/2001	Lin Shy			

OTHER PUBLICATIONS

U.S. Appl. No. 11/861,228, VanElverdinghe.
U.S. Appl. No. 29/327,826, VanElverdinghe.
U.S. Appl. No. 29/327,827, VanElverdinghe.

* cited by examiner

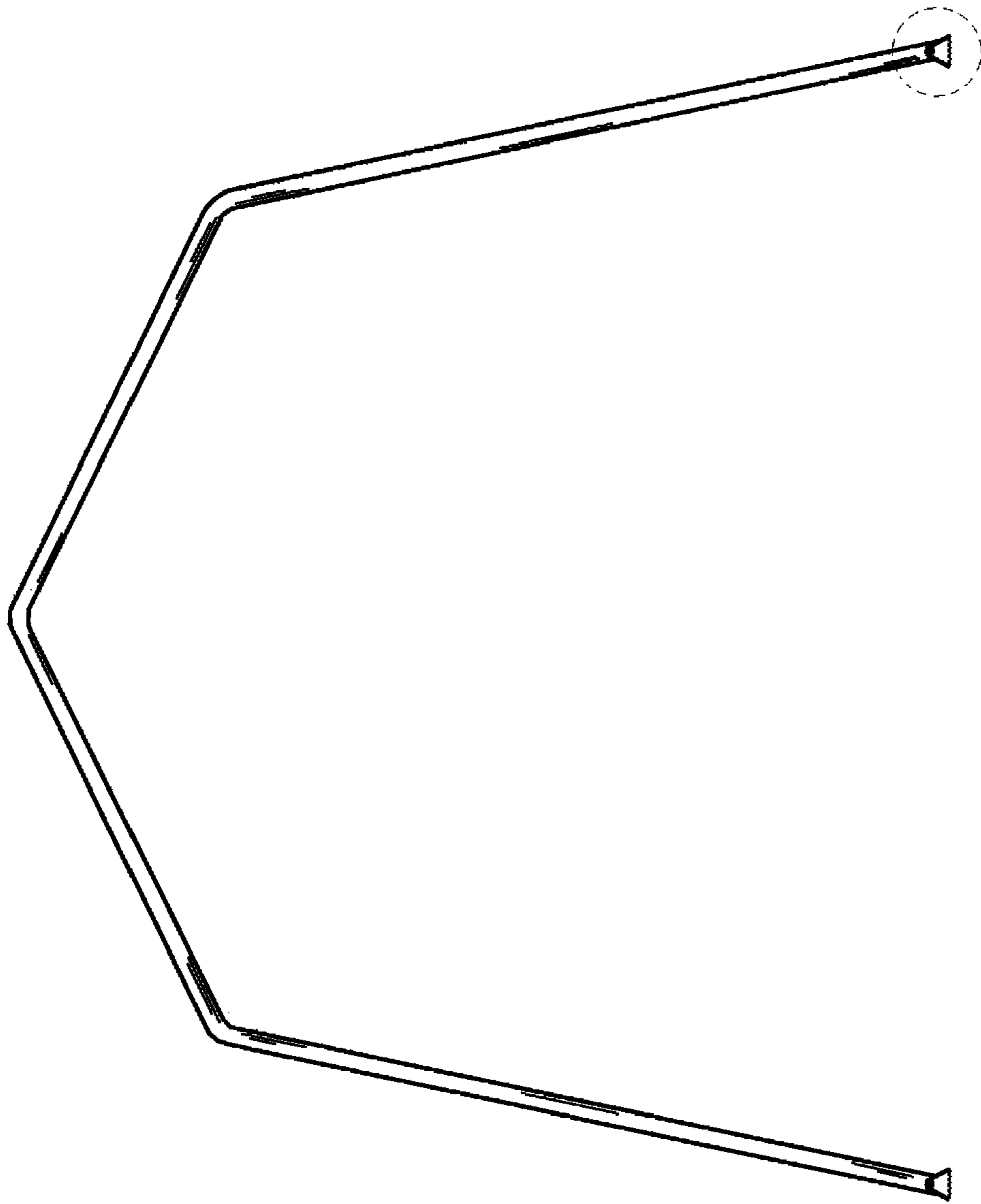


FIG. 1

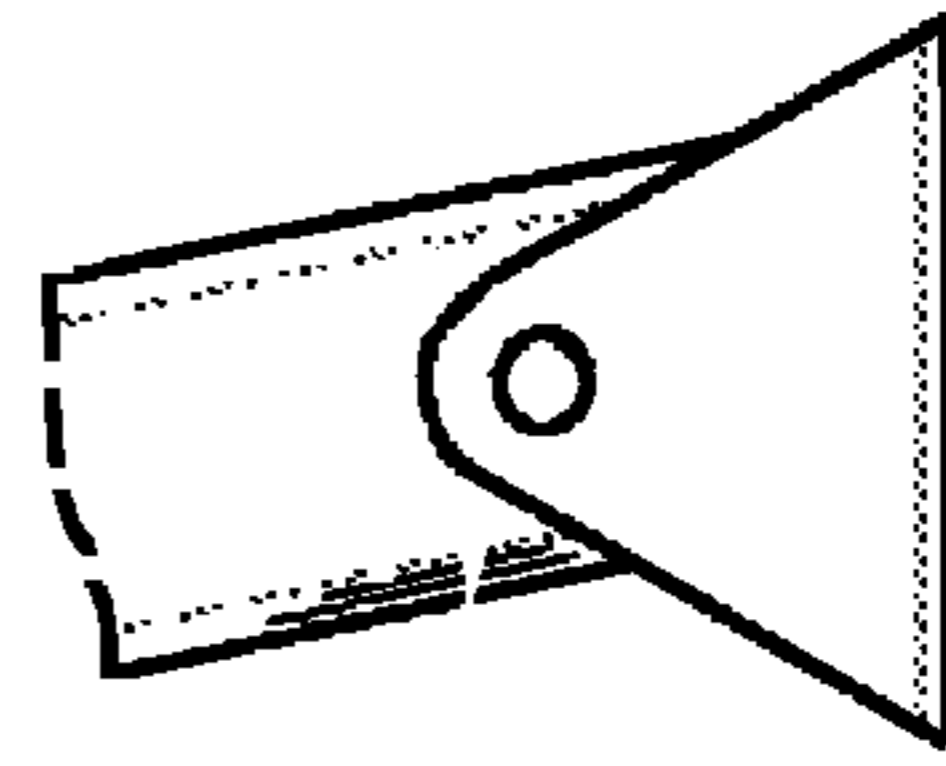


FIG. 5

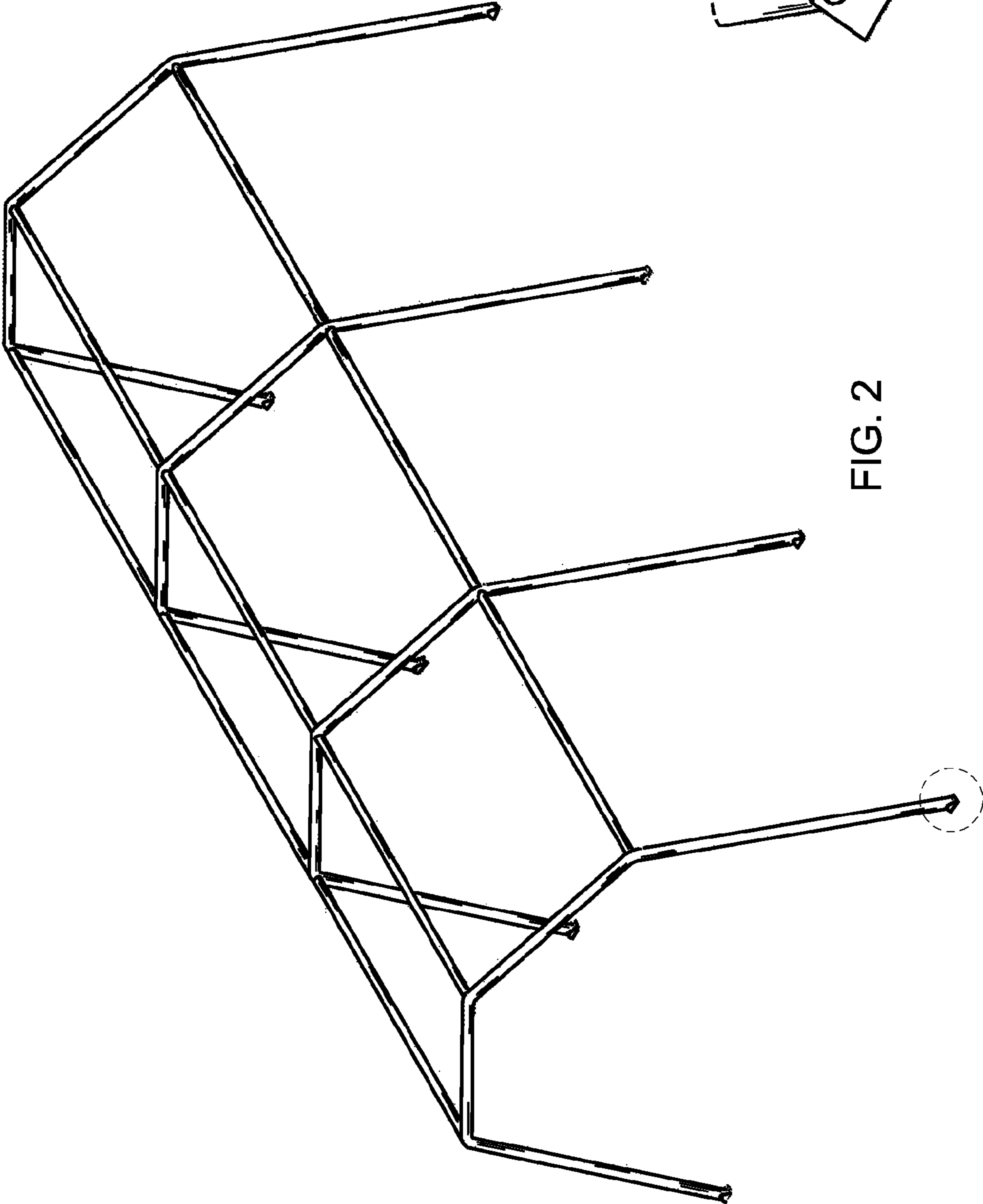


FIG. 2

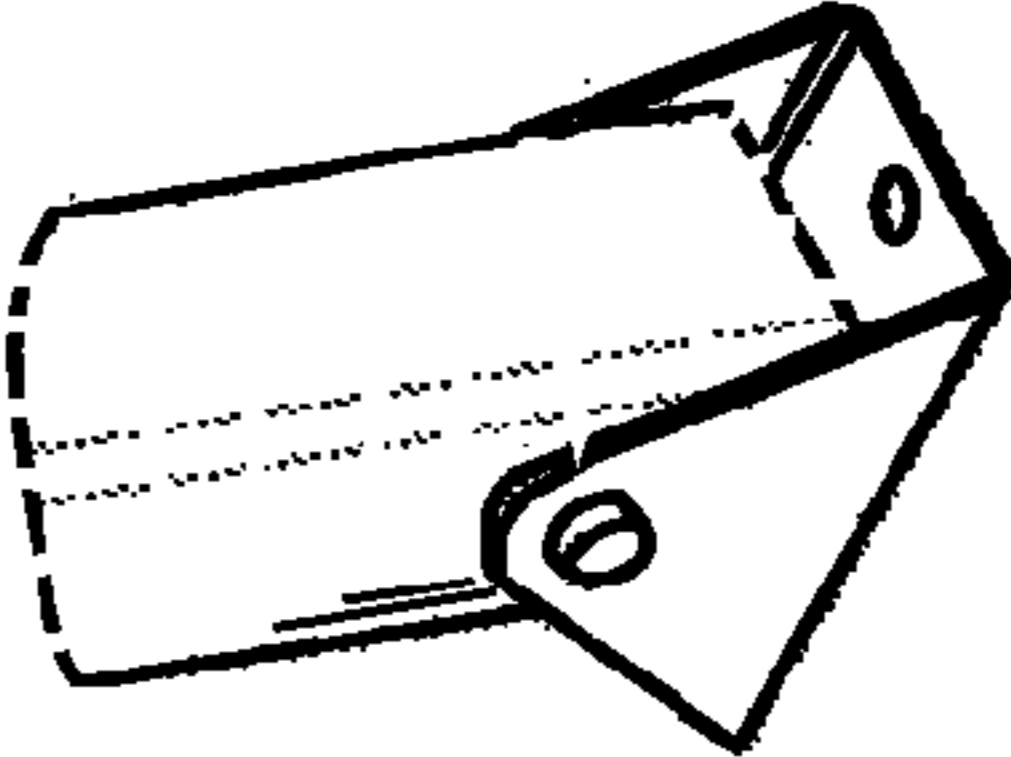


FIG. 6

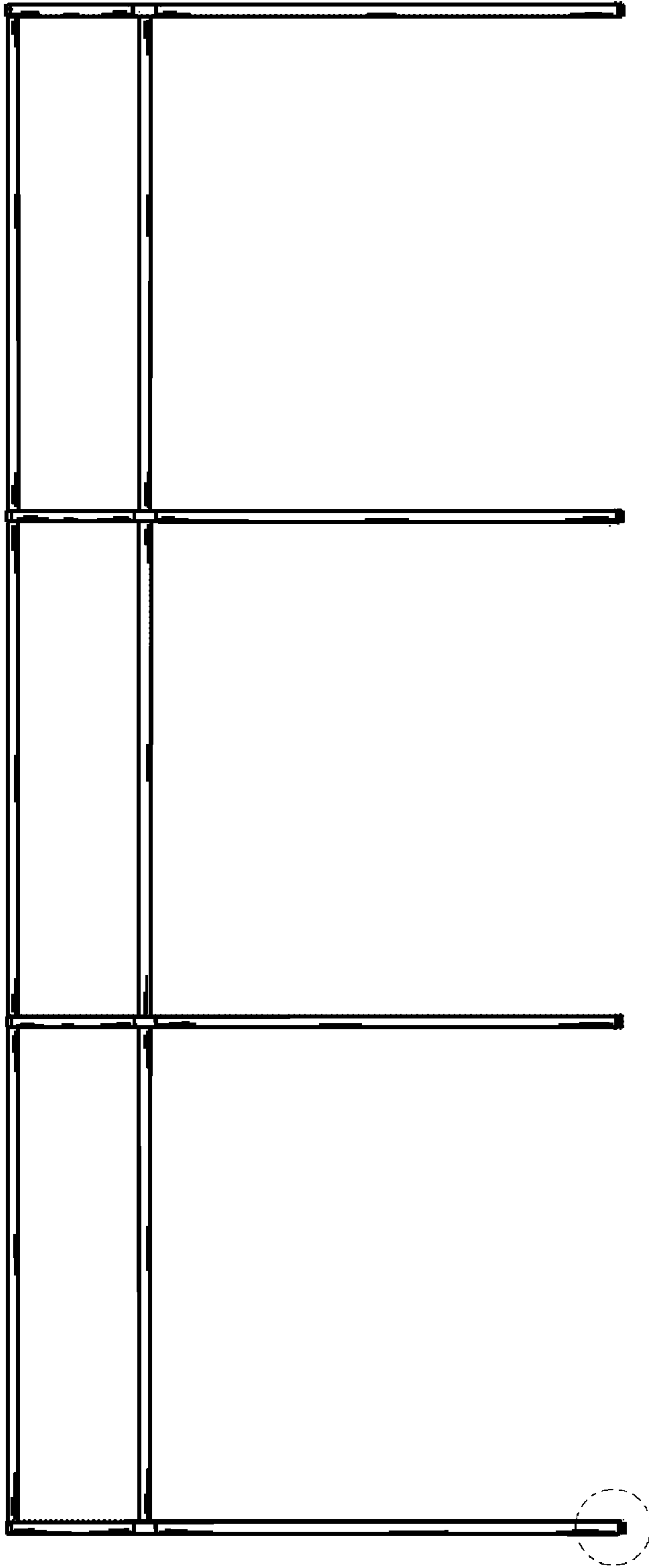


FIG. 3

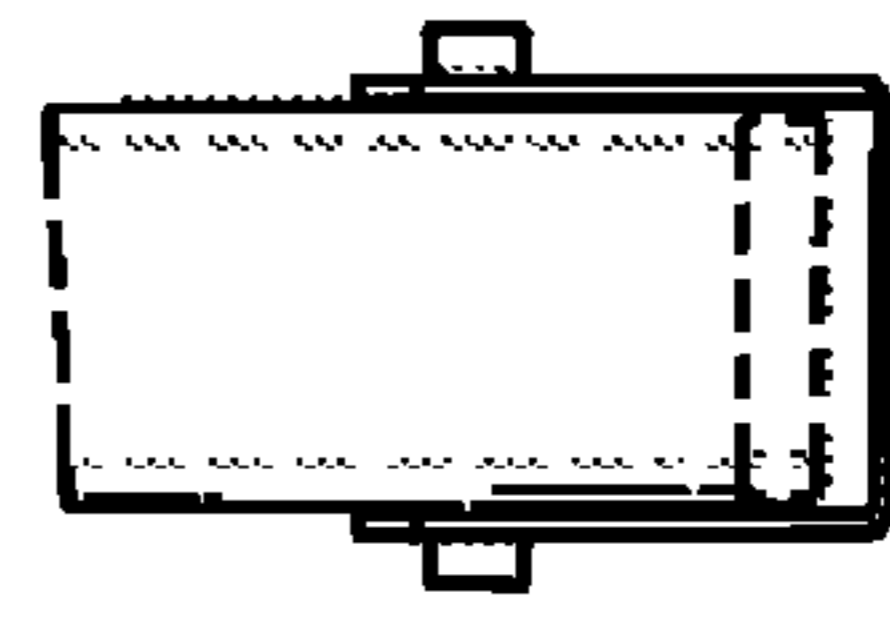


FIG. 7

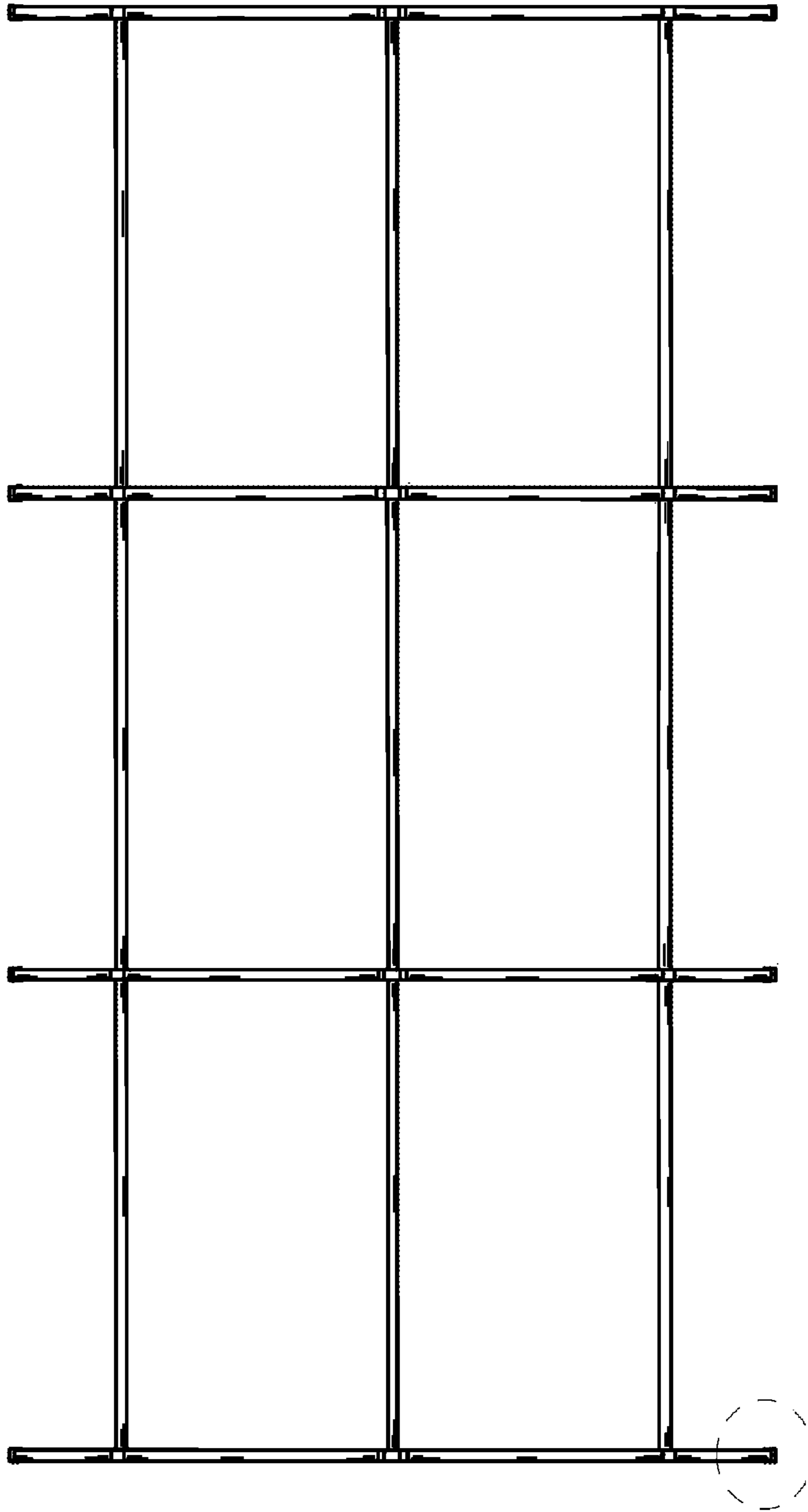


FIG. 4

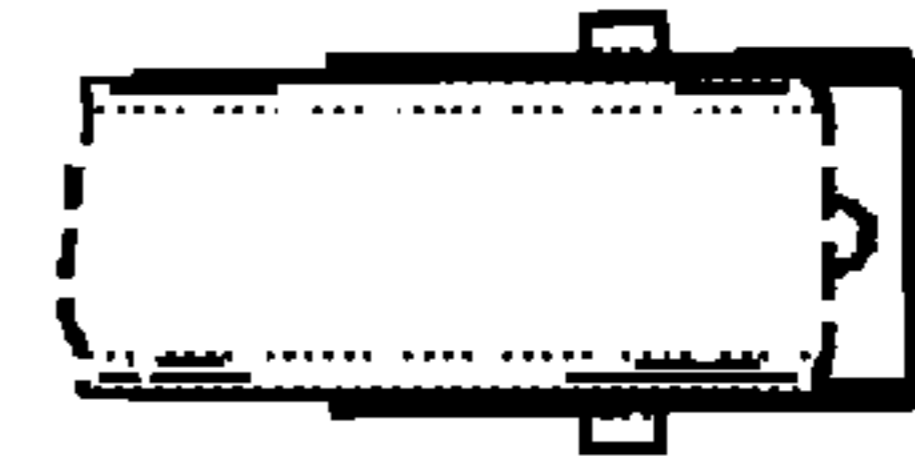


FIG. 8