



US00D624196S

(12) **United States Design Patent**  
**Himmelsbach et al.**

(10) **Patent No.:** **US D624,196 S**  
(45) **Date of Patent:** **\*\* Sep. 21, 2010**

(54) **HOLDER FOR SAMPLE CONTAINERS**

(75) Inventors: **Kurt Himmelsbach**, Fehralt Dorf (CH);  
**Beat Grossniklaus**, Neerach (CH)

(73) Assignee: **Bruker BioSpin AG**, Faellanden (CH)

(\*\*) Term: **14 Years**

(21) Appl. No.: **29/357,897**

(22) Filed: **Mar. 18, 2010**

**Related U.S. Application Data**

(63) Continuation of application No. 29/323,014, filed on Aug. 15, 2008, now abandoned.

(30) **Foreign Application Priority Data**

Feb. 26, 2008 (EM) ..... 000886684

(51) **LOC (9) Cl.** ..... **24-02**

(52) **U.S. Cl.** ..... **D24/230**

(58) **Field of Classification Search** ..... D24/216,  
D24/224, 226–232; 422/63–64, 99–104,  
422/266, 297, 300; 211/71.01, 85.13, 74;  
217/58; D3/294, 295; 206/563; 220/379

See application file for complete search history.

(56) **References Cited**

**U.S. PATENT DOCUMENTS**

D264,810 S \* 6/1982 Voltmann ..... D24/226  
4,349,632 A \* 9/1982 Lyman et al. .... 220/379  
D271,239 S \* 11/1983 Lemieux et al. .... D24/230

5,487,872 A \* 1/1996 Hafeman et al. .... 422/101  
D418,297 S \* 1/2000 Budert ..... D3/295  
6,019,225 A \* 2/2000 Kalmakis et al. .... 211/74  
6,875,405 B1 \* 4/2005 Mathus et al. .... 422/104  
D526,064 S \* 8/2006 Wood ..... D24/229  
D529,622 S \* 10/2006 Hadjis et al. .... D24/229  
D574,505 S \* 8/2008 Muller-Cohn et al. .... D24/216

\* cited by examiner

*Primary Examiner*—T. Chase Nelson

*Assistant Examiner*—Mark Cavanna

(74) *Attorney, Agent, or Firm*—Walter A. Hackler

(57) **CLAIM**

The ornamental design for holder for sample containers, as shown and described.

**DESCRIPTION**

FIG. 1 is a perspective view of a holder for sample containers showing one side, one end and top of our new design;

FIG. 2 is a top plan view thereof;

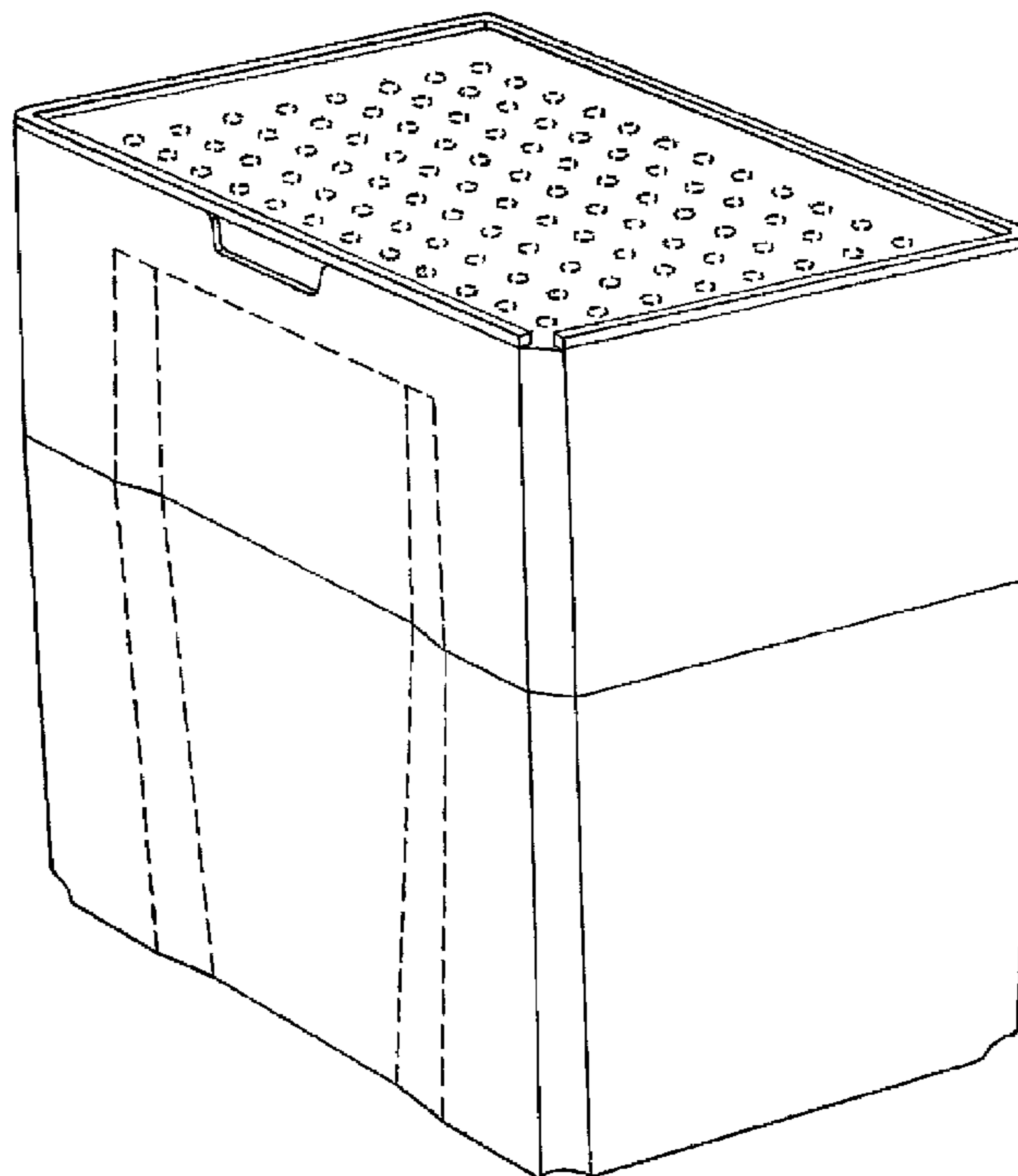
FIG. 3 is an elevation view of the holder for sample containers showing another side of the holder of FIG. 1;

FIG. 4 is a front elevation view of the holder for sample containers showing another end of the holder of FIG. 1; and,

FIG. 5 is a bottom plan view of the holder for sample containers of FIG. 1.

Portion of the holder for sample containers shown in broken lines form no part of the claimed design.

**1 Claim, 3 Drawing Sheets**



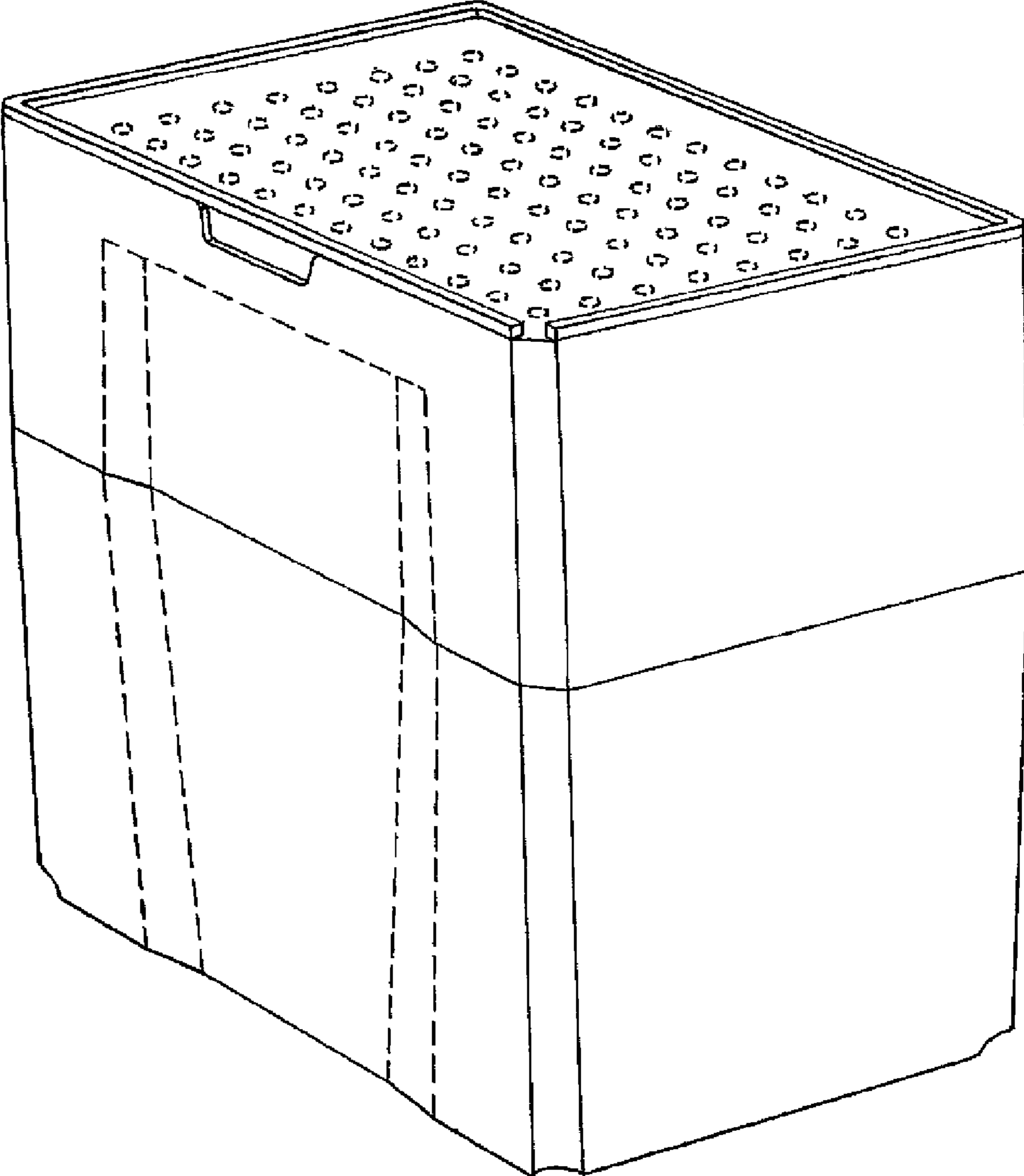


Fig. 1

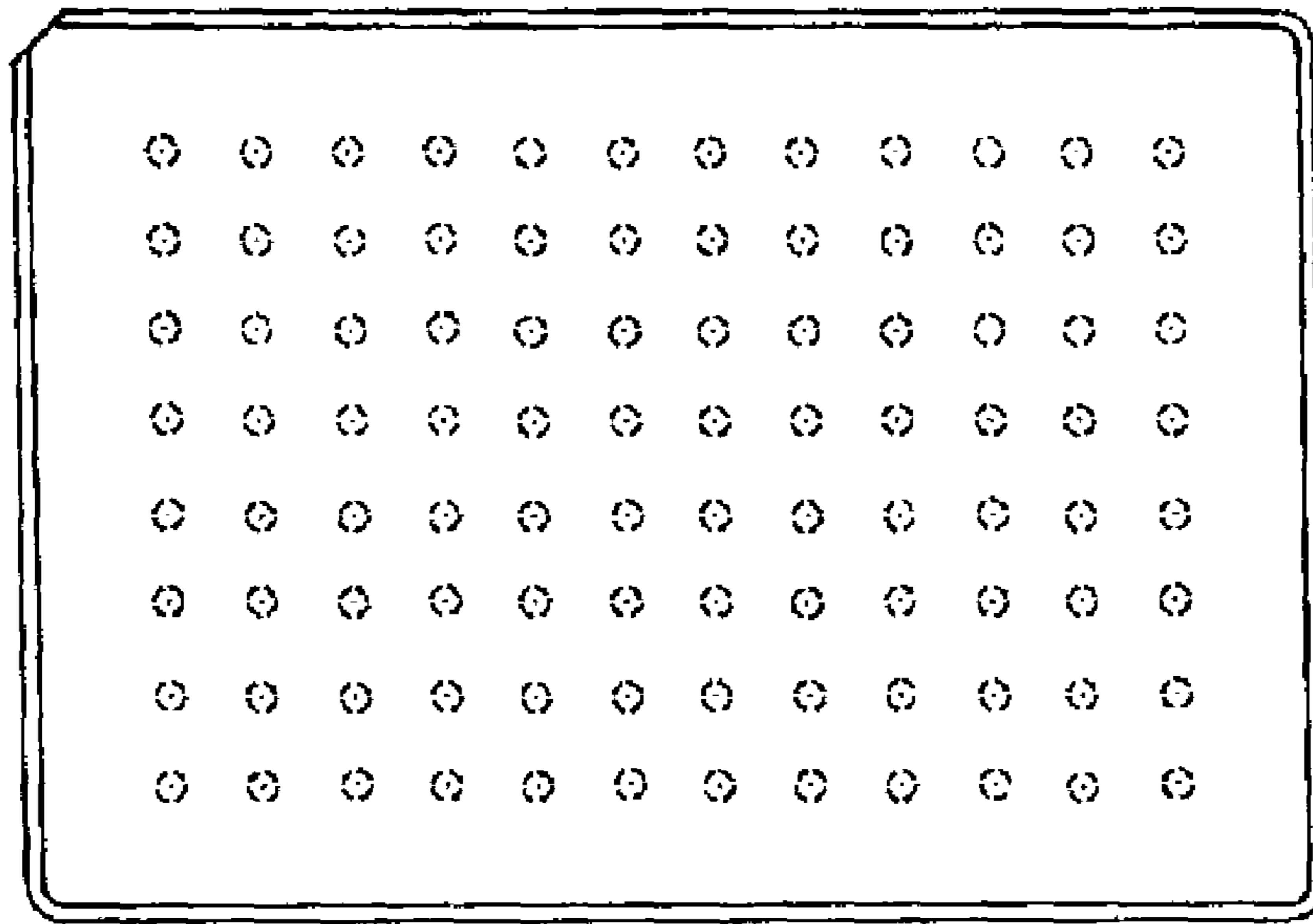


Fig. 2

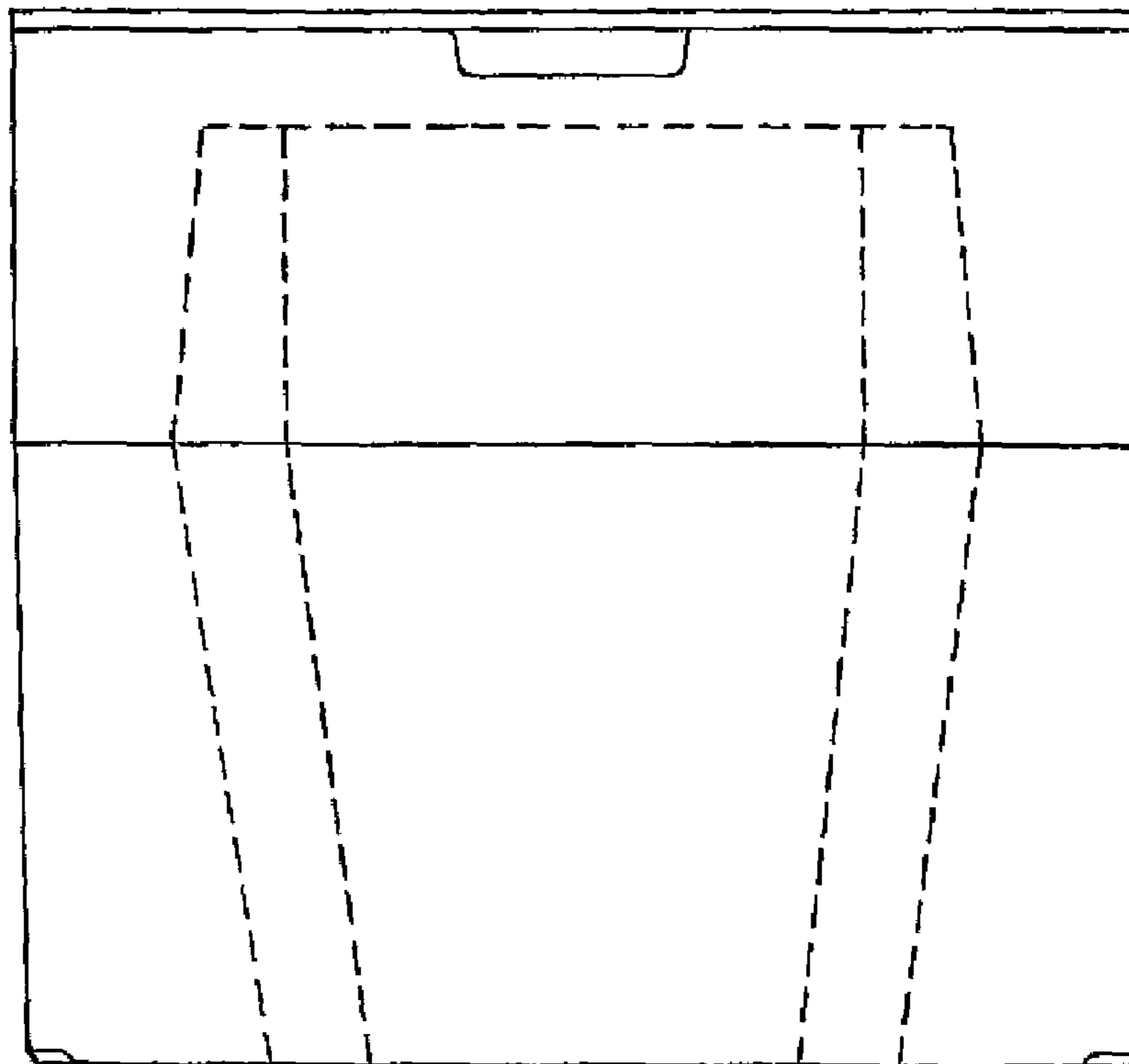


Fig. 3

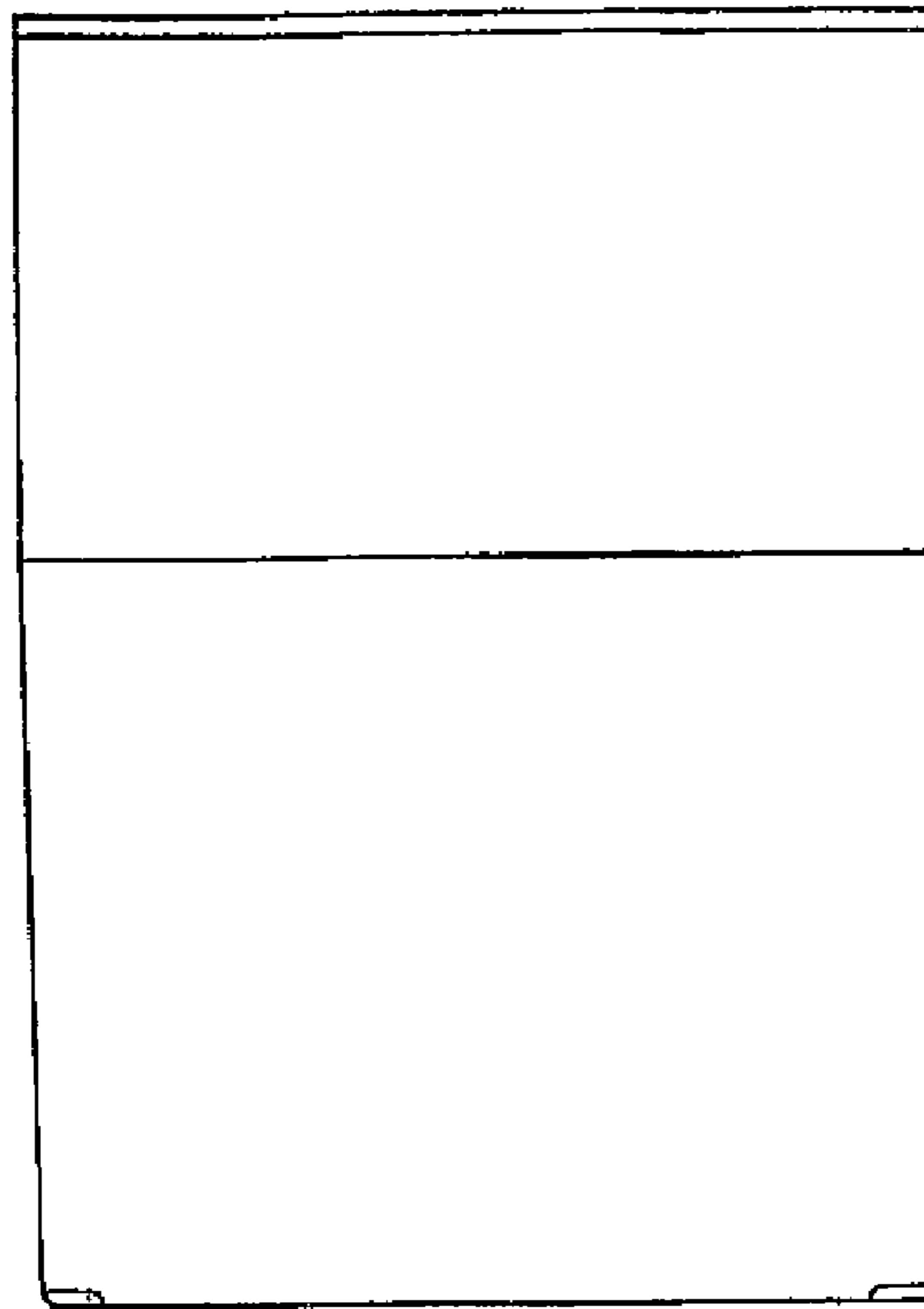


Fig. 4

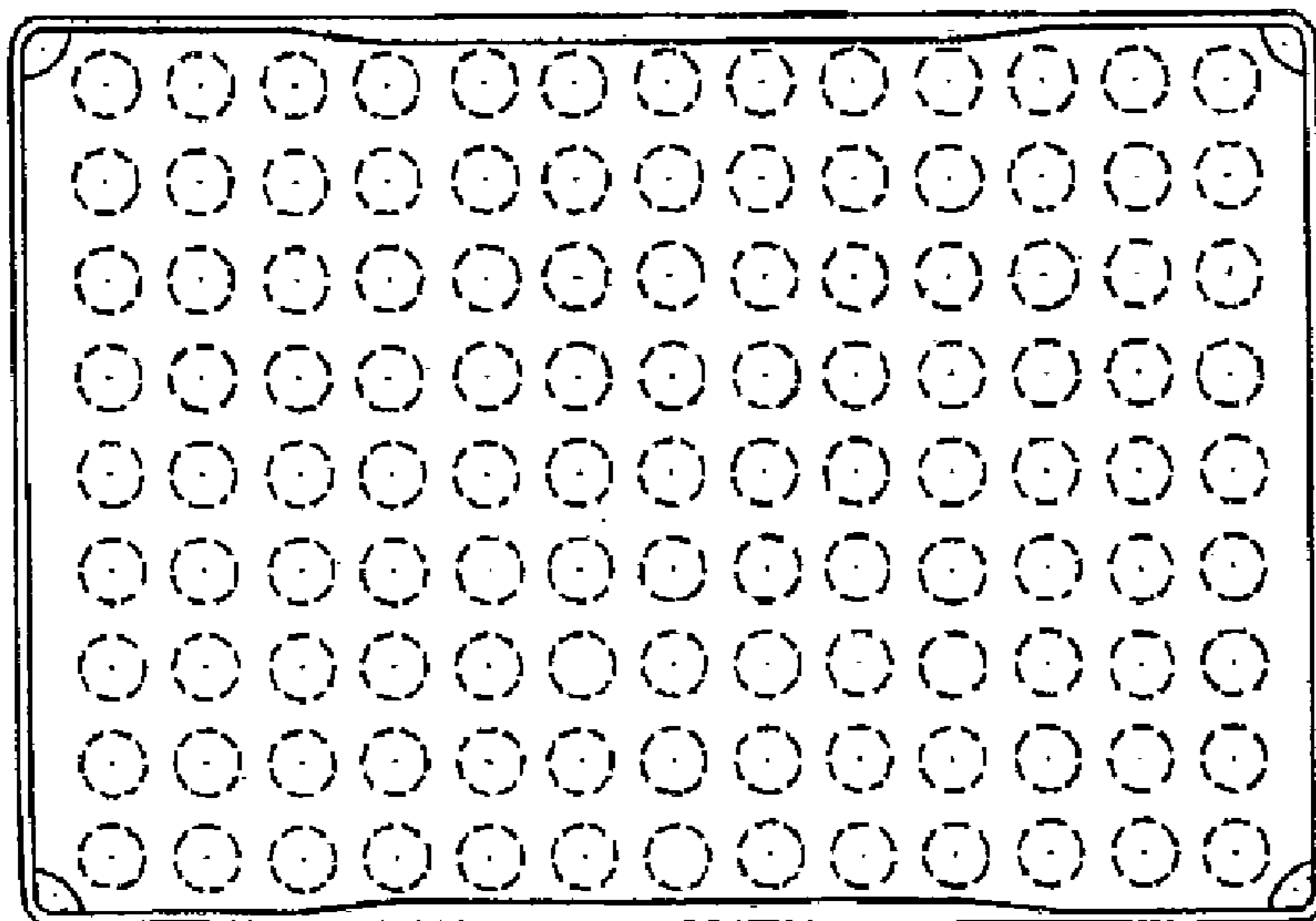


Fig. 5