



US00D624194S

(12) **United States Design Patent**
Pack et al.

(10) **Patent No.:** **US D624,194 S**

(45) **Date of Patent:** **** *Sep. 21, 2010**

(54) **DUAL RESERVOIR REAGENT TUBE WITH AN INTEGRAL SEAL CAP**
(75) Inventors: **Todd D. Pack**, Cincinnati, OH (US);
Robert G. States, III, Morrow, OH (US)

(73) Assignee: **Meridian Bioscience, Inc.**, Cincinnati, OH (US)

(**) Term: **14 Years**

(21) Appl. No.: **29/335,461**

(22) Filed: **Apr. 16, 2009**

(51) **LOC (9) Cl.** **24-02**

(52) **U.S. Cl.** **D24/224**

(58) **Field of Classification Search** D24/122,
D24/216-232; 422/57, 101-102, 104; D9/747;
494/10

See application file for complete search history.

(56) **References Cited**

U.S. PATENT DOCUMENTS

D273,807 S *	5/1984	Holen	D24/226
D285,118 S *	8/1986	Huang	D24/226
D309,779 S *	8/1990	D'Aquino et al.	D24/226
D316,449 S	4/1991	D'Aquino et al.		
5,005,721 A	4/1991	Jordan		
D319,314 S *	8/1991	Crouch	D24/224
D324,271 S *	2/1992	Frenkel et al.	D24/226
5,225,165 A	7/1993	Perlman		
D339,869 S *	9/1993	Schea et al.	D24/224
D345,611 S *	3/1994	Long	D24/226
5,354,539 A	10/1994	Hovatter		

5,382,408 A	1/1995	Perlman		
5,577,626 A	11/1996	Henkel et al.		
5,683,659 A	11/1997	Hovatter		
5,863,791 A	1/1999	Baldszun et al.		
6,001,310 A	12/1999	Shaffer et al.		
D445,907 S *	7/2001	Monks	D24/224
6,601,725 B2	8/2003	Lafond et al.		
D501,679 S *	2/2005	Smith	D24/227
D544,610 S *	6/2007	Ouchi et al.	D24/224
D546,966 S *	7/2007	Kajiyama et al.	D24/224
2007/0017927 A1	1/2007	D'Amore et al.		

* cited by examiner

Primary Examiner—Elizabeth A Albert

Assistant Examiner—Kelley A Donnelly

(74) *Attorney, Agent, or Firm*—Morrison & Foerster LLP

(57) **CLAIM**

The ornamental design for a dual reservoir reagent tube with an integral seal cap, as shown and described.

DESCRIPTION

FIG. 1 is a top perspective view of a dual reservoir reagent tube with an integral seal cap, showing the new design;

FIG. 2 is a bottom perspective view thereof;

FIG. 3 is a bottom plan view thereof;

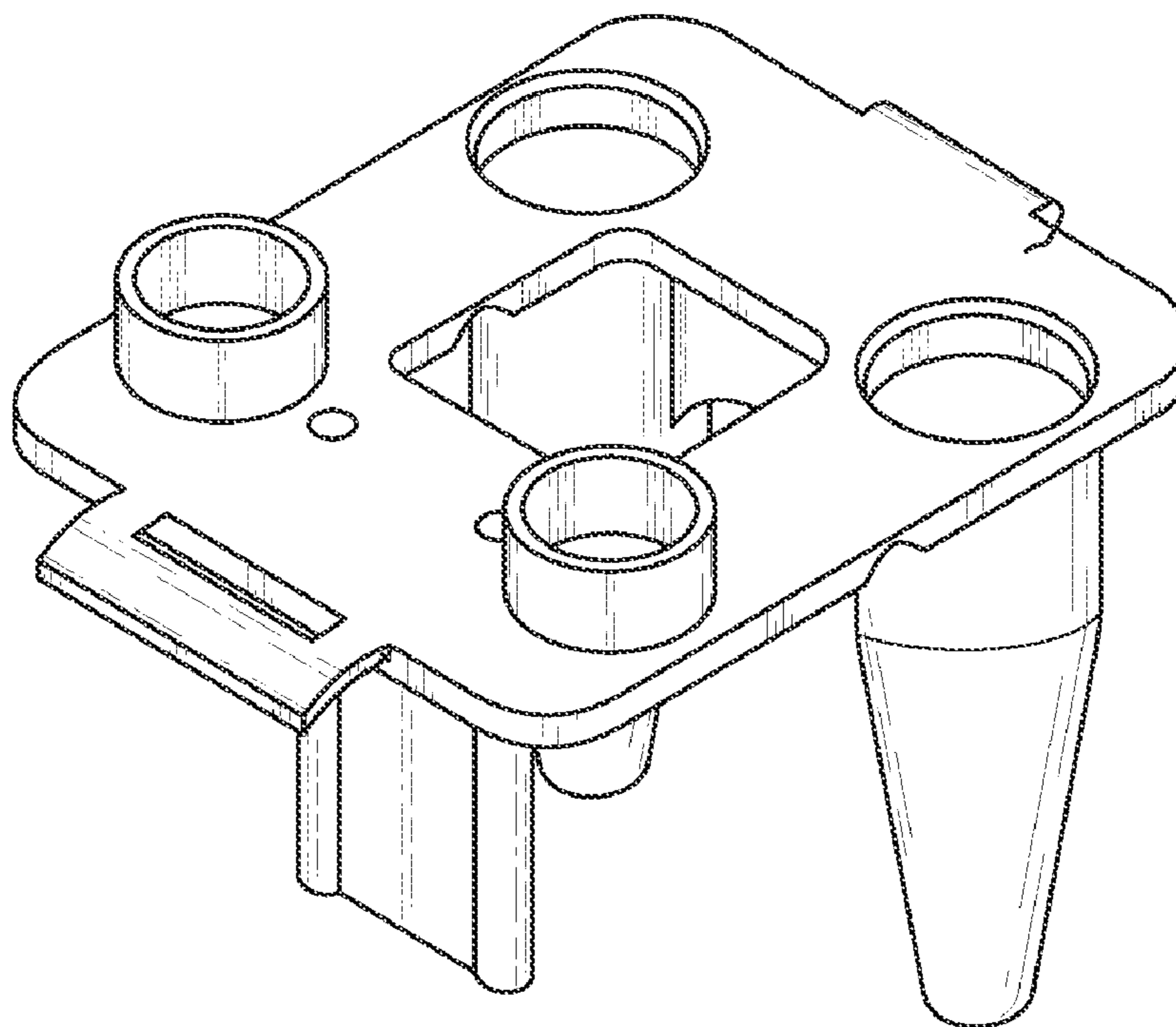
FIG. 4 is a top plan view thereof;

FIG. 5 is a rear elevational view thereof;

FIG. 6 is a front elevational view thereof; and,

FIG. 7 is a side elevational view thereof, the opposite side being identical thereto.

1 Claim, 4 Drawing Sheets



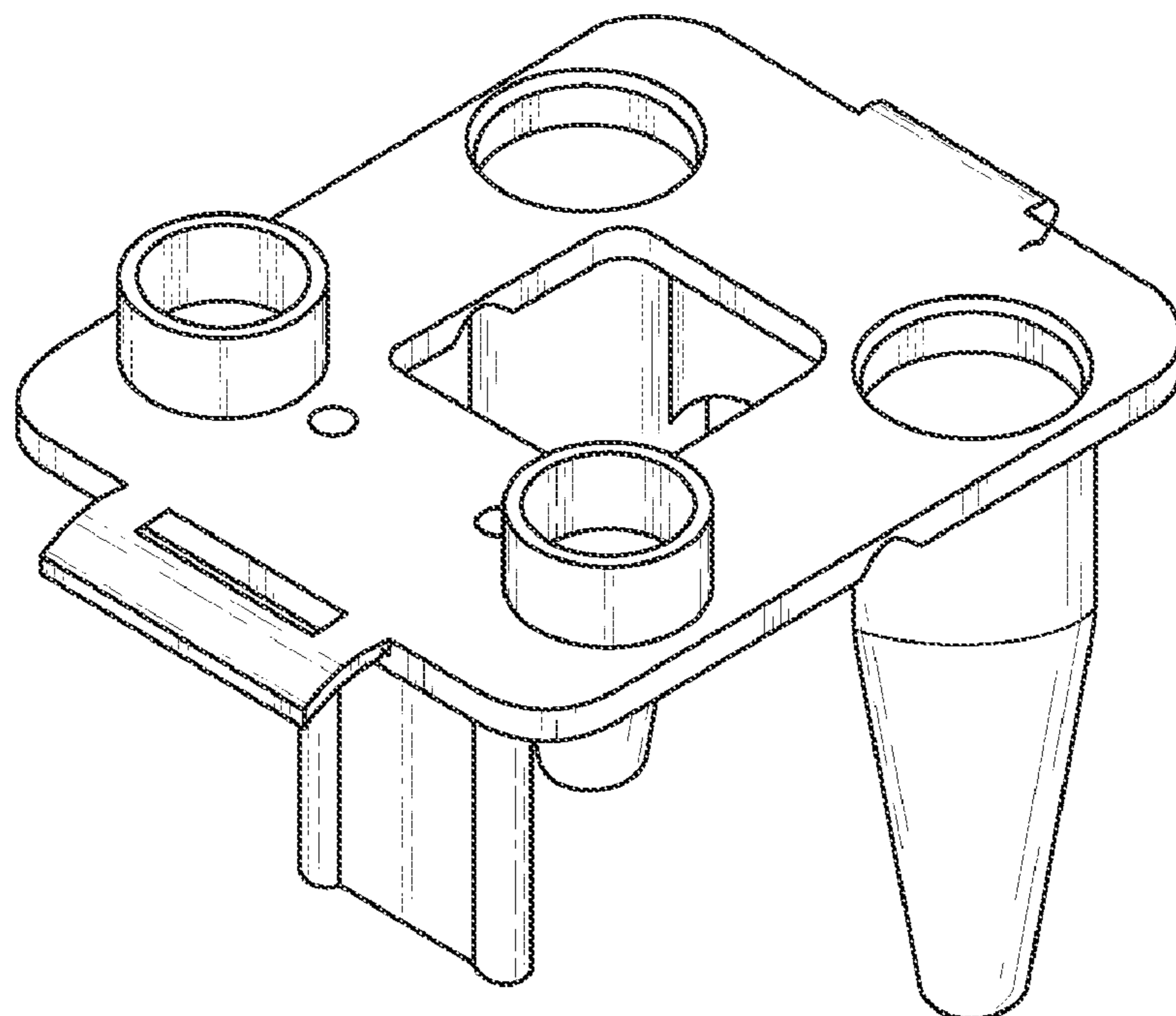


FIG. 1

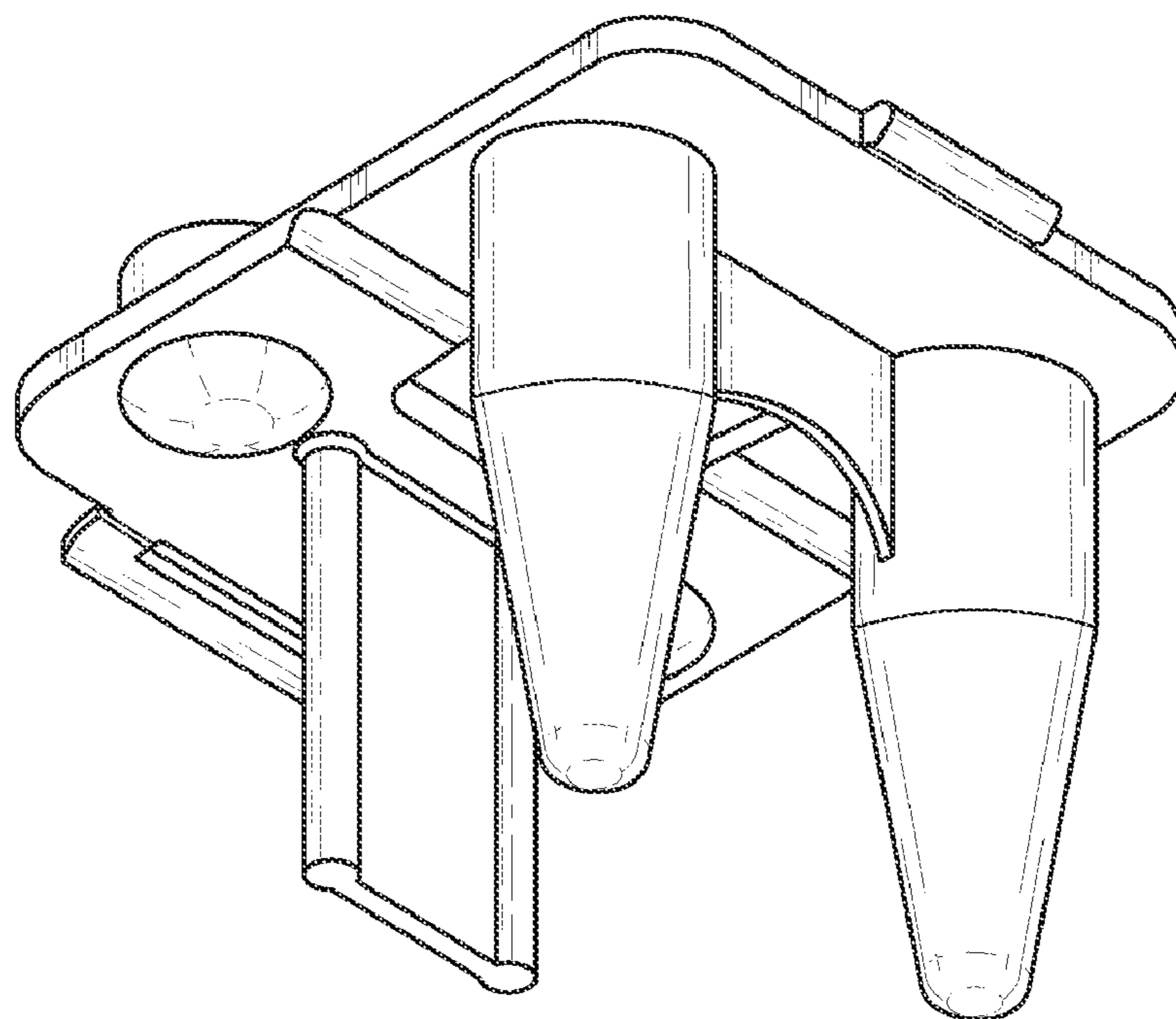


FIG. 2

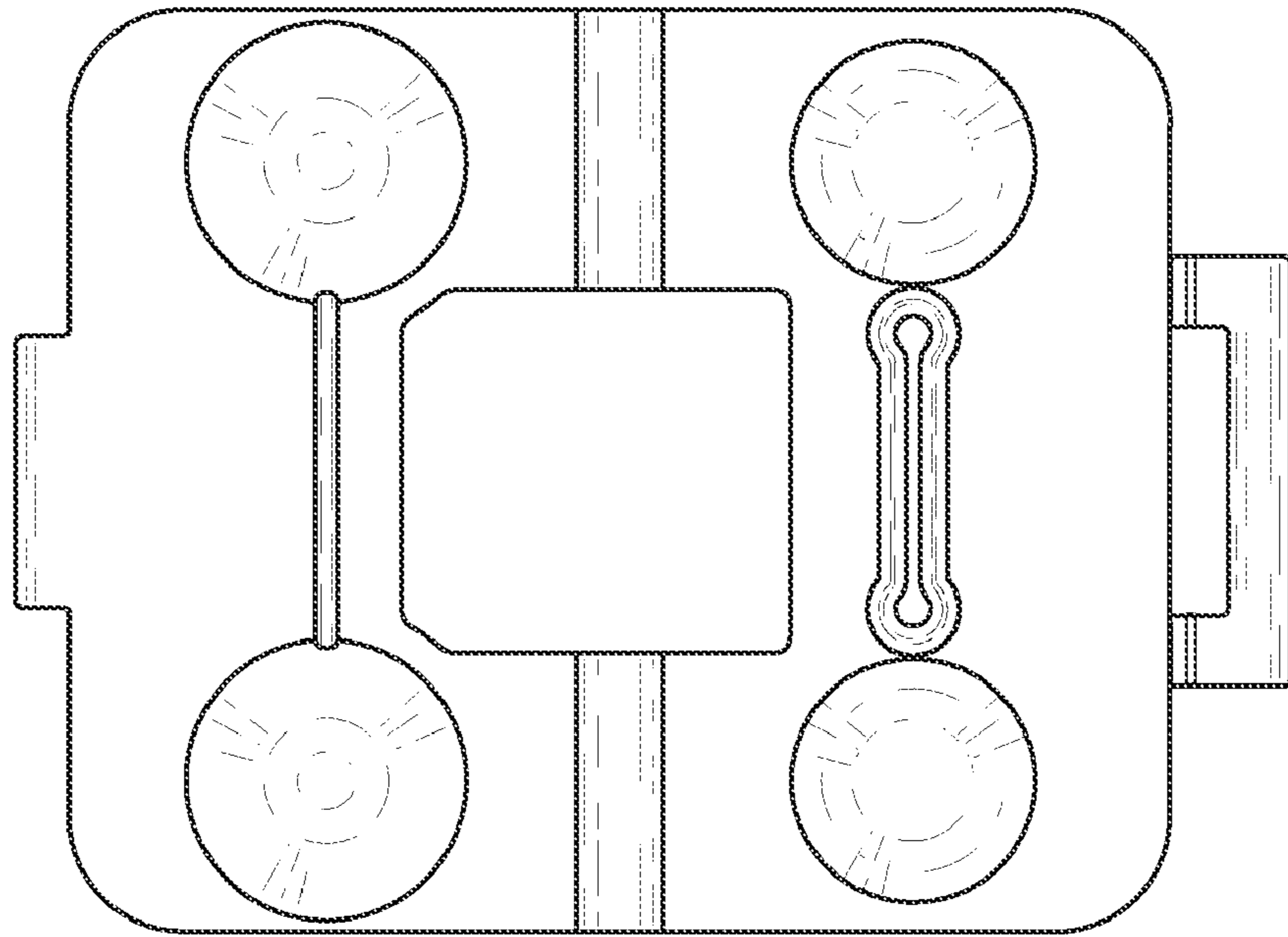


FIG. 3

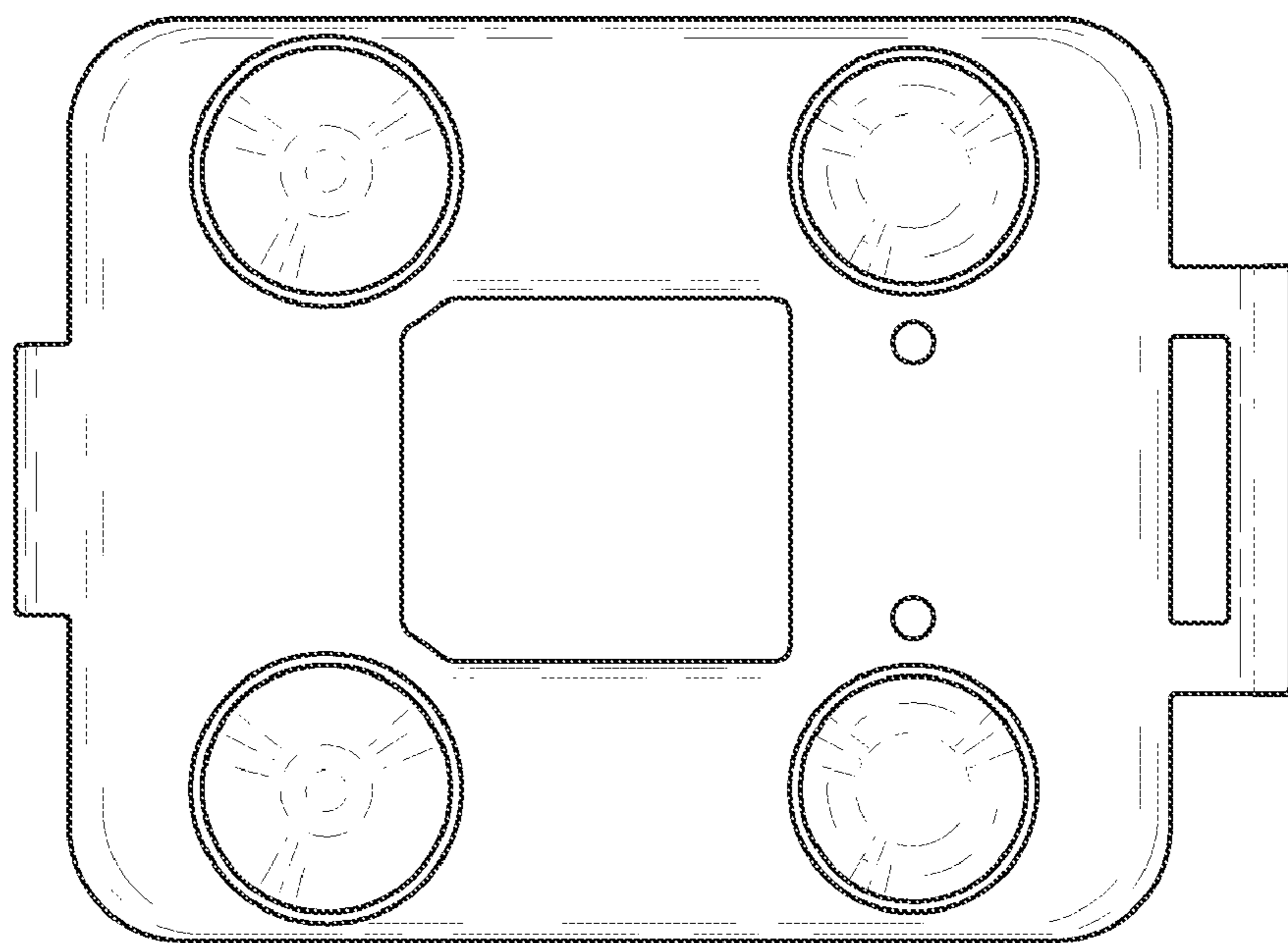


FIG. 4

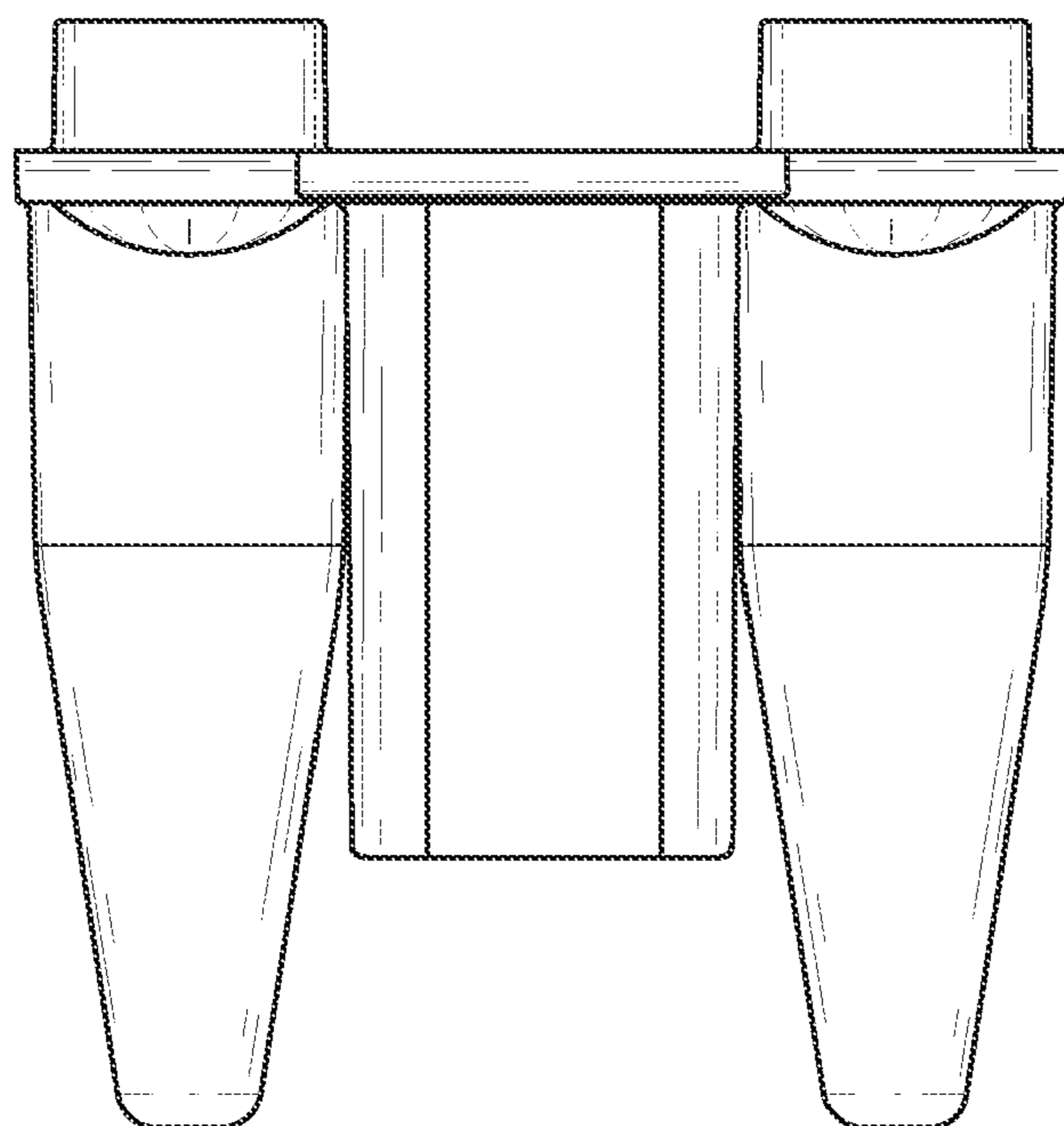


FIG. 5

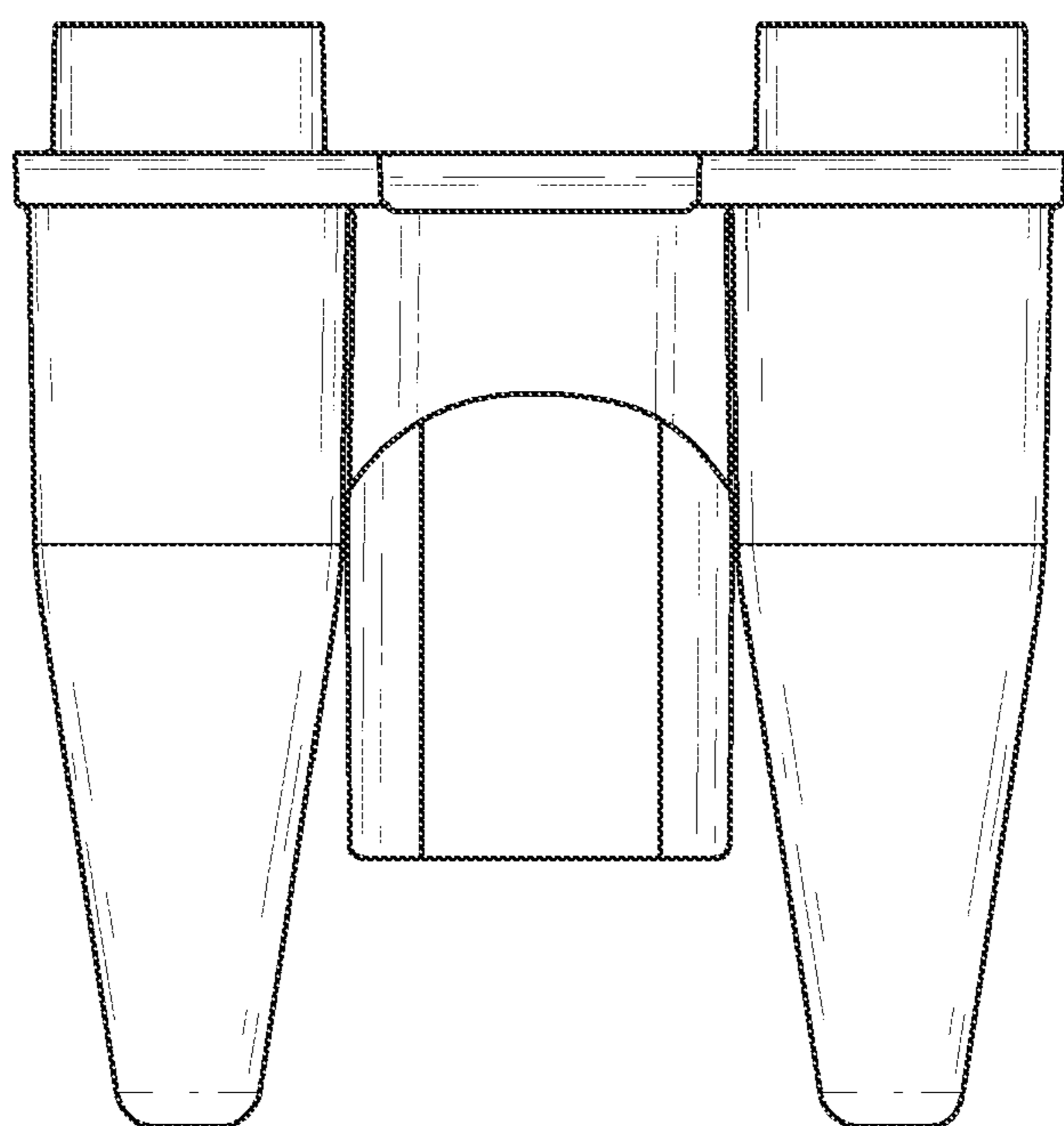


FIG. 6

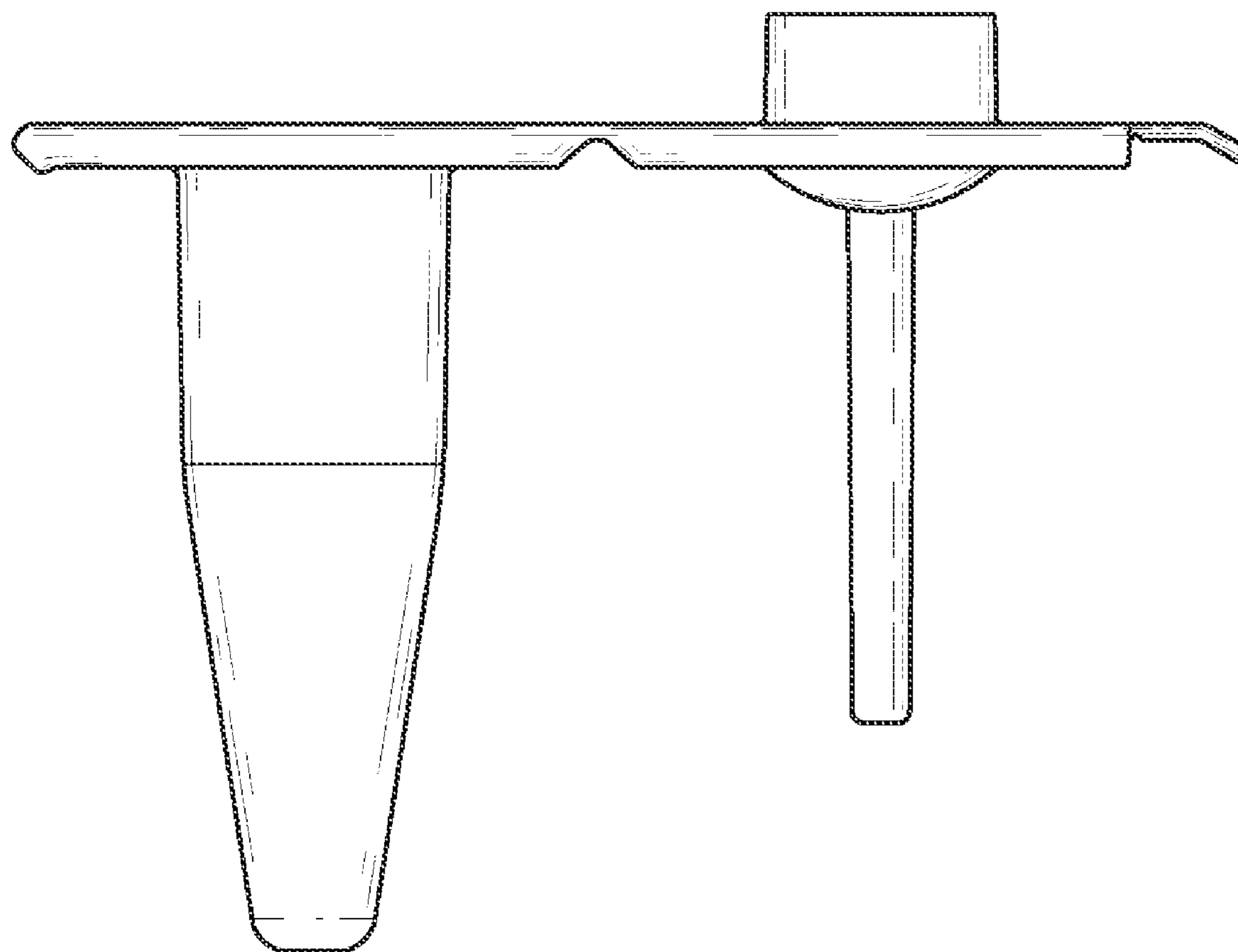


FIG. 7