



US00D624193S

(12) **United States Design Patent**
Katzenberger

(10) **Patent No.:** **US D624,193 S**

(45) **Date of Patent:** **** Sep. 21, 2010**

(54) **MANUAL THERAPY TOOL**

(76) **Inventor:** **Thuy E. Katzenberger**, 7200 France Ave. South, Suite 222, Edina, MN (US) 55435

(**) **Term:** **14 Years**

(21) **Appl. No.:** **29/349,368**

(22) **Filed:** **Mar. 29, 2010**

(51) **LOC (9) Cl.** **28-03**

(52) **U.S. Cl.** **D24/214**

(58) **Field of Classification Search** D24/200, D24/204, 206, 211–215, 201; 601/19, 22, 601/27, 28, 29, 30, 31, 39, 46, 56, 63, 68, 601/72, 80, 125, 135, 157, 169, DIG. 12, 601/DIG. 14, DIG. 16, DIG. 17; D6/335, D6/336; D21/685

See application file for complete search history.

(56) **References Cited**

U.S. PATENT DOCUMENTS

- D193,824 S * 10/1962 Langham D28/91.2
- 4,483,328 A * 11/1984 Wolocko 601/135
- D304,495 S * 11/1989 Tyo et al. D24/211
- D317,204 S * 5/1991 Hennesseey D24/211
- 5,231,977 A * 8/1993 Graston 601/34
- D342,999 S * 1/1994 Gonsalves, Jr. D24/147
- 5,366,437 A 11/1994 Graston
- 5,441,478 A * 8/1995 Graston 601/137

- 5,624,385 A * 4/1997 Hwang 601/135
- 6,077,239 A * 6/2000 Lin 601/137
- D456,909 S 5/2002 Szabo
- 6,641,547 B2 11/2003 Sevier et al.
- D484,248 S 12/2003 O'Brien
- 6,887,211 B1 5/2005 Sevier et al.
- D530,429 S 10/2006 Sevier et al.
- D530,823 S * 10/2006 Sevier et al. D24/214
- 7,361,153 B1 4/2008 Martin

* cited by examiner

Primary Examiner—Sandra Snapp

(74) *Attorney, Agent, or Firm*—Richard John Bartz

(57) **CLAIM**

The ornamental design for the manual therapy tool, as shown and described.

DESCRIPTION

FIG. 1 is a perspective view of the manual therapy tool of my new design;

FIG. 2 is a front elevational view thereof;

FIG. 3 is a back elevational view thereof;

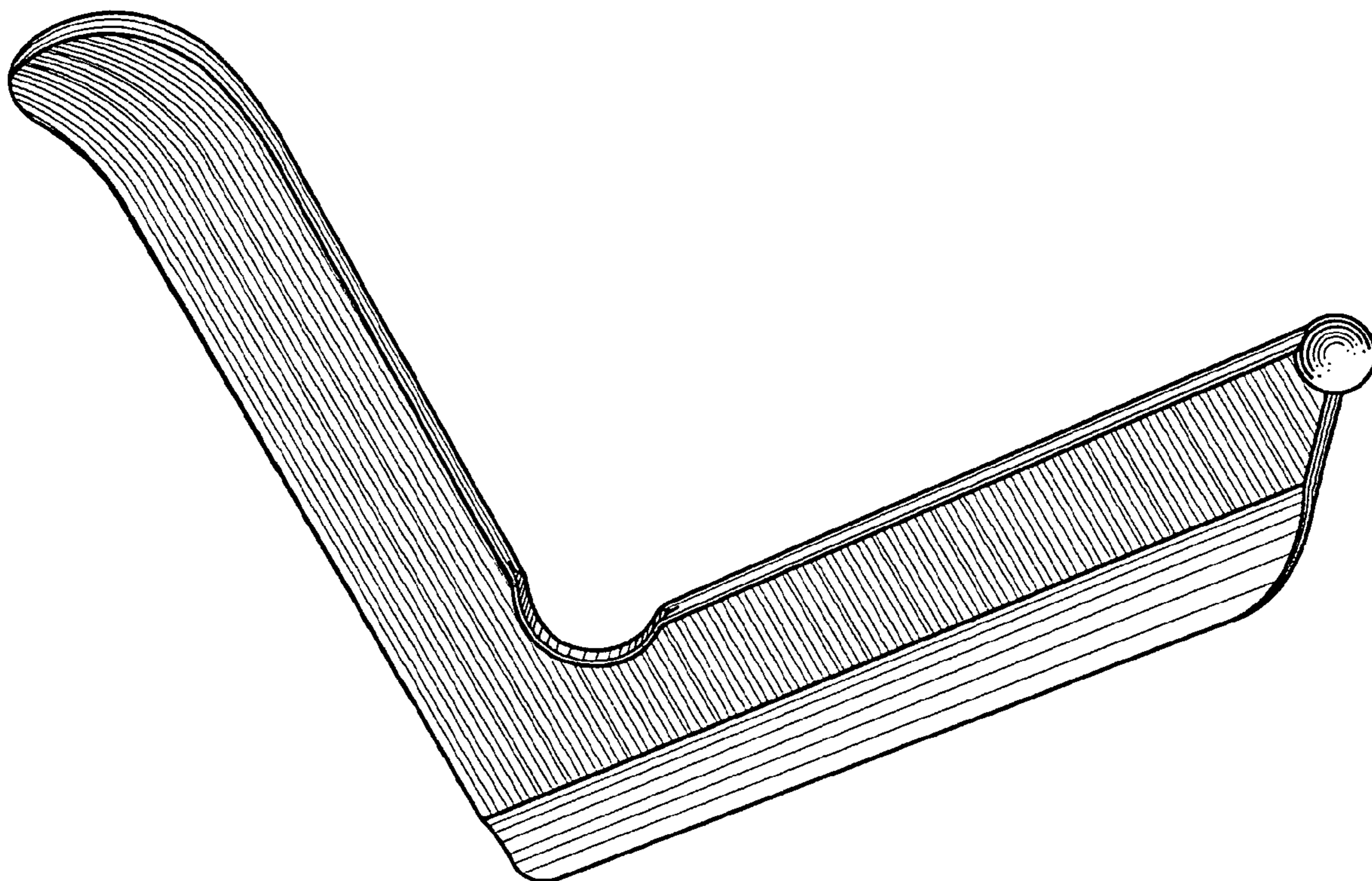
FIG. 4 is a top plan view of FIG. 2;

FIG. 5 is a bottom plan view of FIG. 2;

FIG. 6 is a side elevational view of the left side of FIG. 2; and,

FIG. 7 is a side elevational view of the right side of FIG. 2.

1 Claim, 4 Drawing Sheets



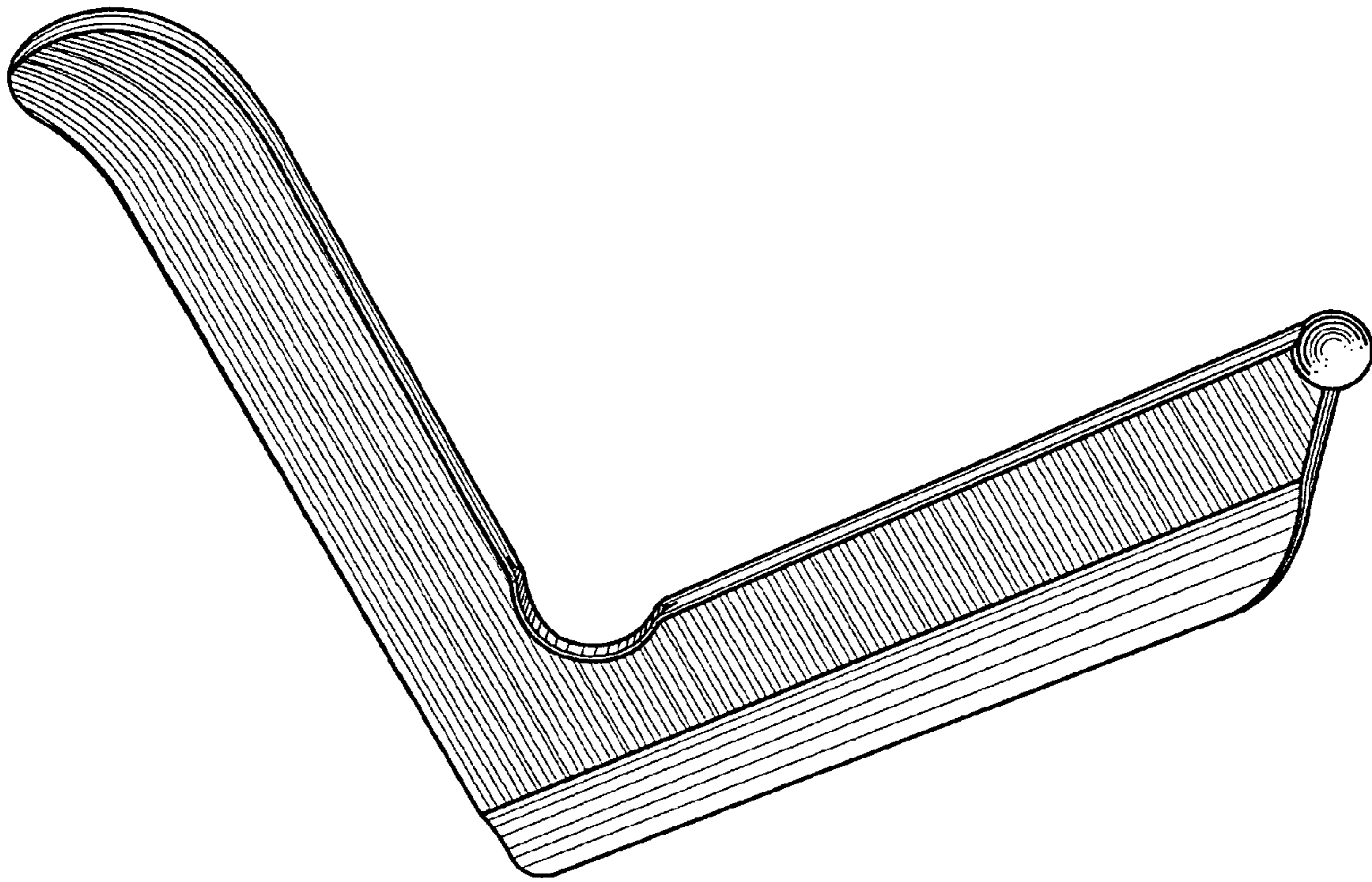


FIG. 1

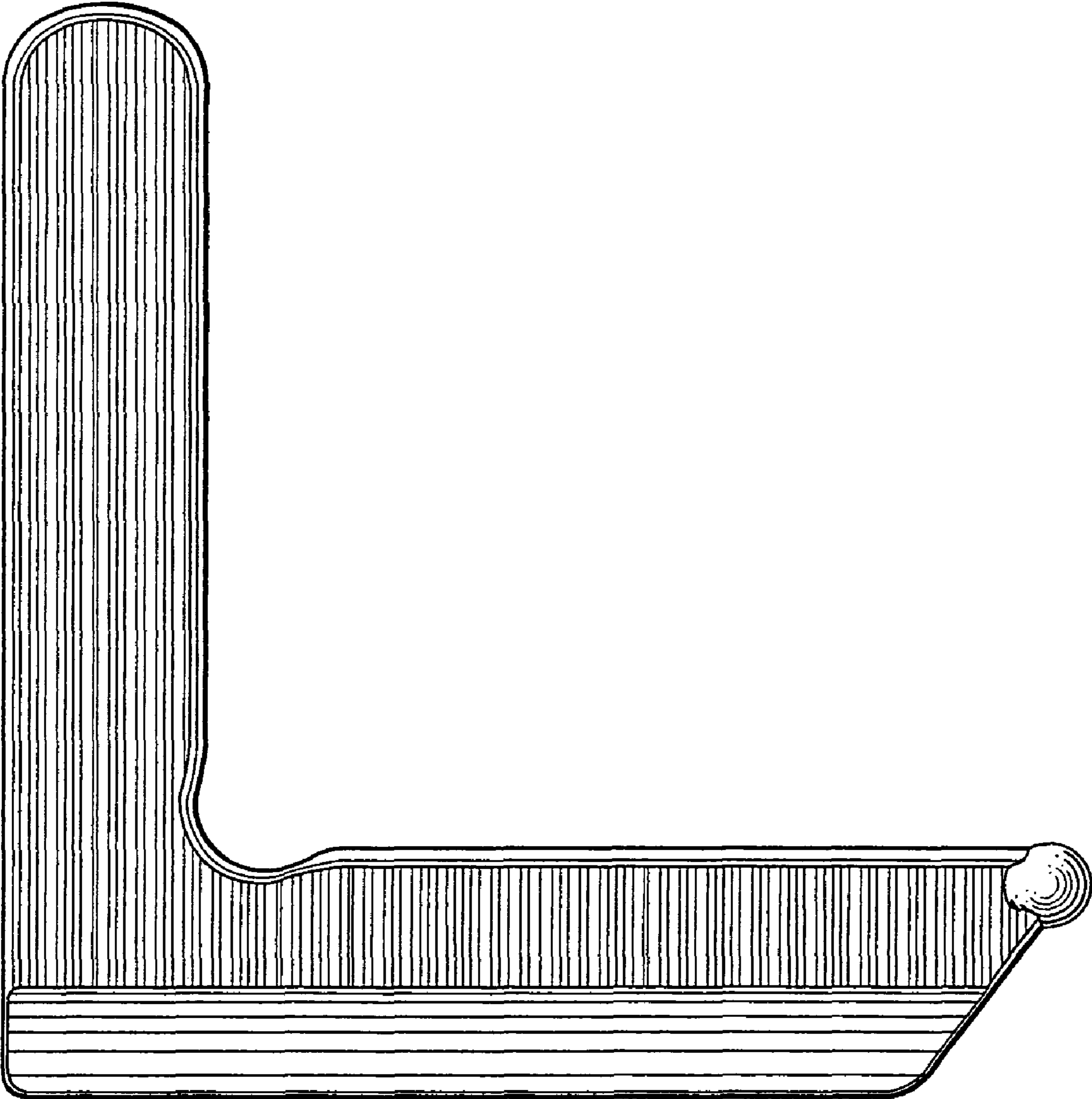


FIG. 2

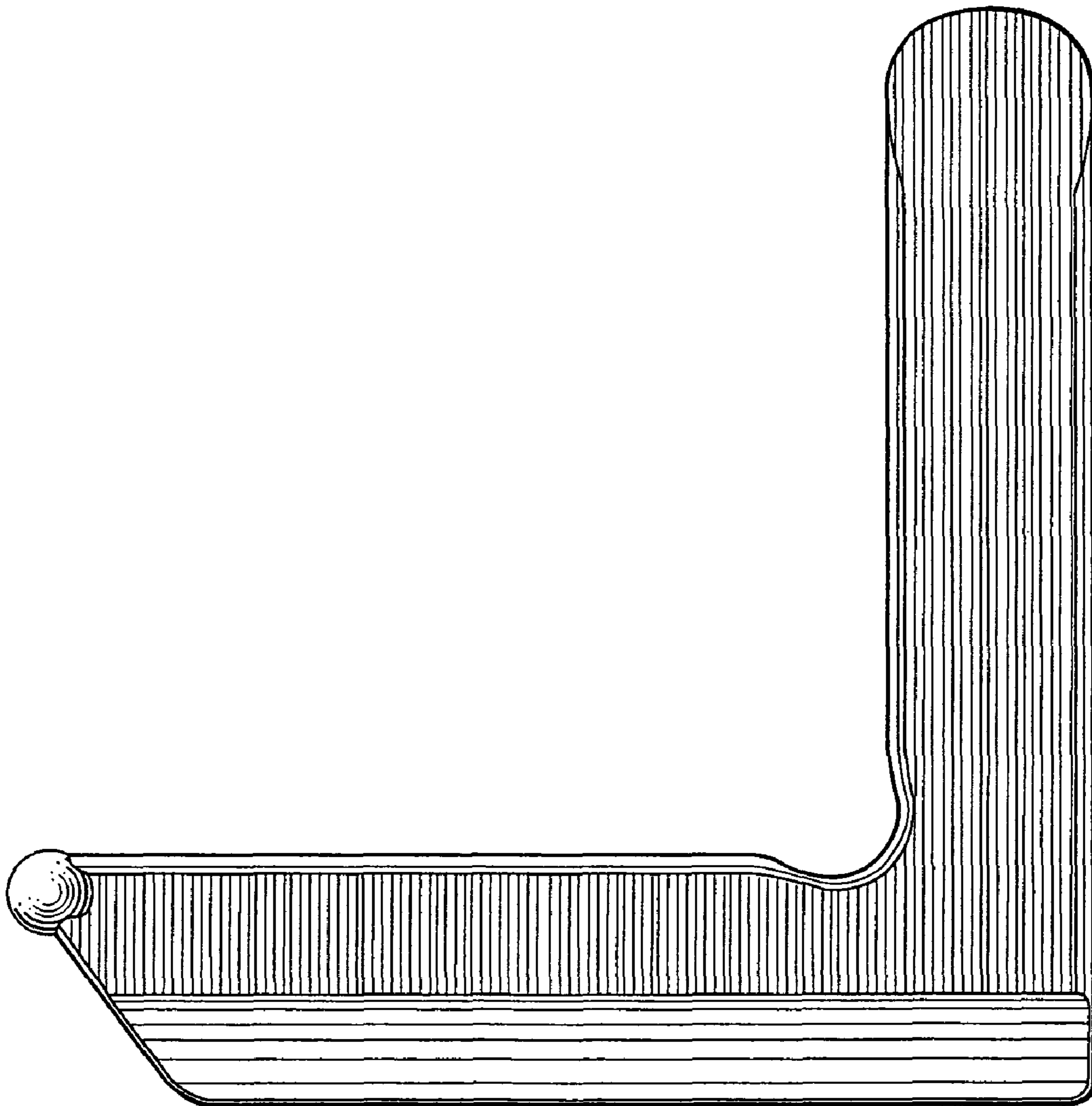


FIG. 3

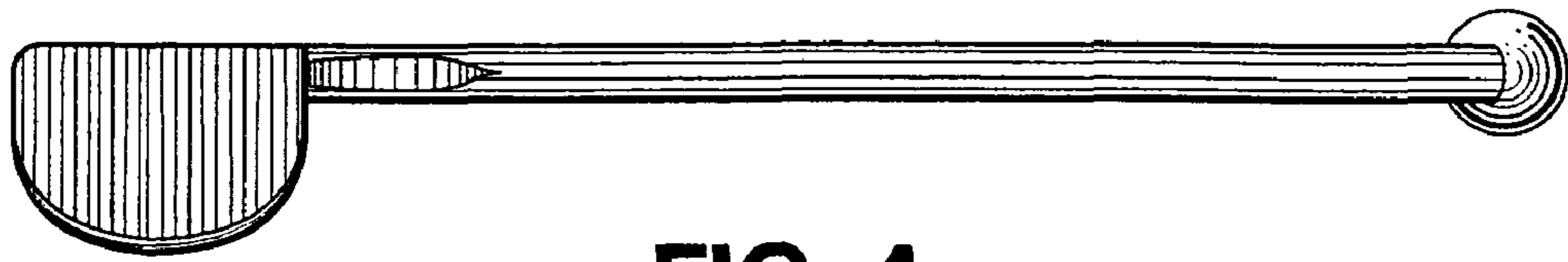


FIG. 4

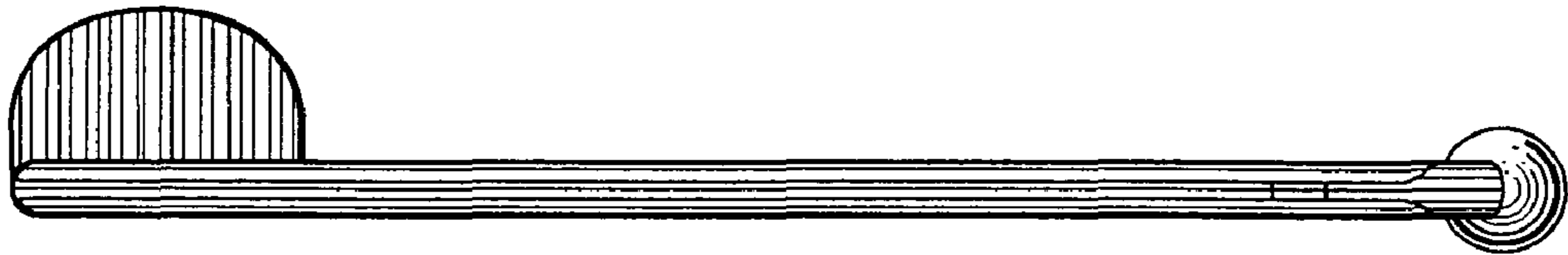


FIG. 5

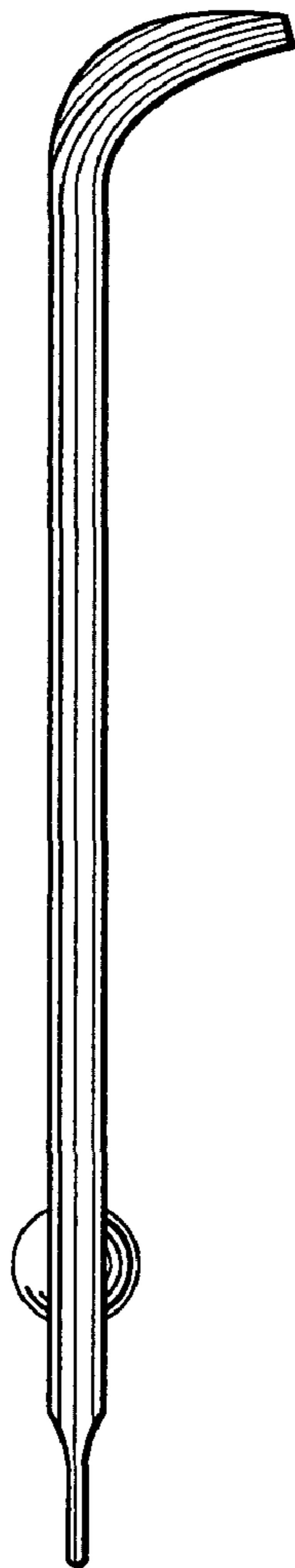


FIG. 6

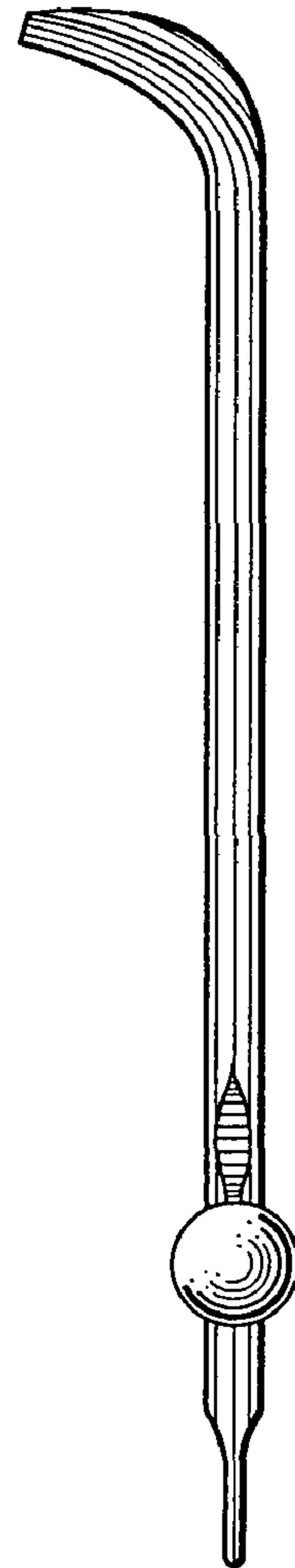


FIG. 7