



US00D624191S

(12) **United States Design Patent**  
**Johnson**

(10) **Patent No.:** **US D624,191 S**

(45) **Date of Patent:** **\*\* Sep. 21, 2010**

(54) **TEETHING PACIFIER**

(76) **Inventor:** **Nathan R. Johnson**, 1151 Chestnut St.,  
Muskogee, OK (US) 74403

(\*\*) **Term:** **14 Years**

(21) **Appl. No.:** **29/350,453**

(22) **Filed:** **Nov. 17, 2009**

(51) **LOC (9) Cl.** ..... **24-04**

(52) **U.S. Cl.** ..... **D24/194**

(58) **Field of Classification Search** ..... D24/193-196;  
606/234-236, 438; 215/11.1-11.6; 604/77-78;  
128/200.24, 201.26, 203.12

See application file for complete search history.

(56) **References Cited**

**U.S. PATENT DOCUMENTS**

516,561	A *	3/1894	Bosch	.....	606/235
2,888,929	A *	6/1959	Bray	.....	606/236
D196,288	S *	9/1963	Jane	.....	D24/194
D197,889	S *	4/1964	Hass	.....	D24/194
5,300,089	A	4/1994	Sassin		
5,334,218	A	8/1994	Johnson		
D365,151	S *	12/1995	Coppels et al.	.....	D24/194
5,606,871	A	3/1997	Hansen et al.		
5,658,314	A	8/1997	Scheffer et al.		
D390,962	S *	2/1998	Hohl	.....	D24/194
5,814,074	A	9/1998	Branam		
D457,640	S *	5/2002	Alexandre	.....	D24/194
D472,973	S *	4/2003	Bliss et al.	.....	D24/194

D480,147	S *	9/2003	Sanbrook et al.	.....	D24/194
D490,158	S	5/2004	Ajibolade		
6,773,451	B1	8/2004	Dussere		
D547,455	S *	7/2007	Greenberg	.....	D24/194
D558,885	S *	1/2008	Trizzino	.....	D24/194
2003/0176891	A1 *	9/2003	Frederic	.....	606/234
2005/0080456	A1	4/2005	Sanbrook et al.		
2005/0119699	A1 *	6/2005	Sari	.....	606/234
2009/0018582	A1	1/2009	Ishikawa et al.		

\* cited by examiner

*Primary Examiner*—Susan E Krakower

(74) *Attorney, Agent, or Firm*—Crossley Patent Law; Mark A. Crossley

(57) **CLAIM**

The ornamental design for a teething pacifier, as shown and described.

**DESCRIPTION**

FIG. 1 is a front elevation view of a teething pacifier showing my new design, the opposite side being a mirror image of the shown;

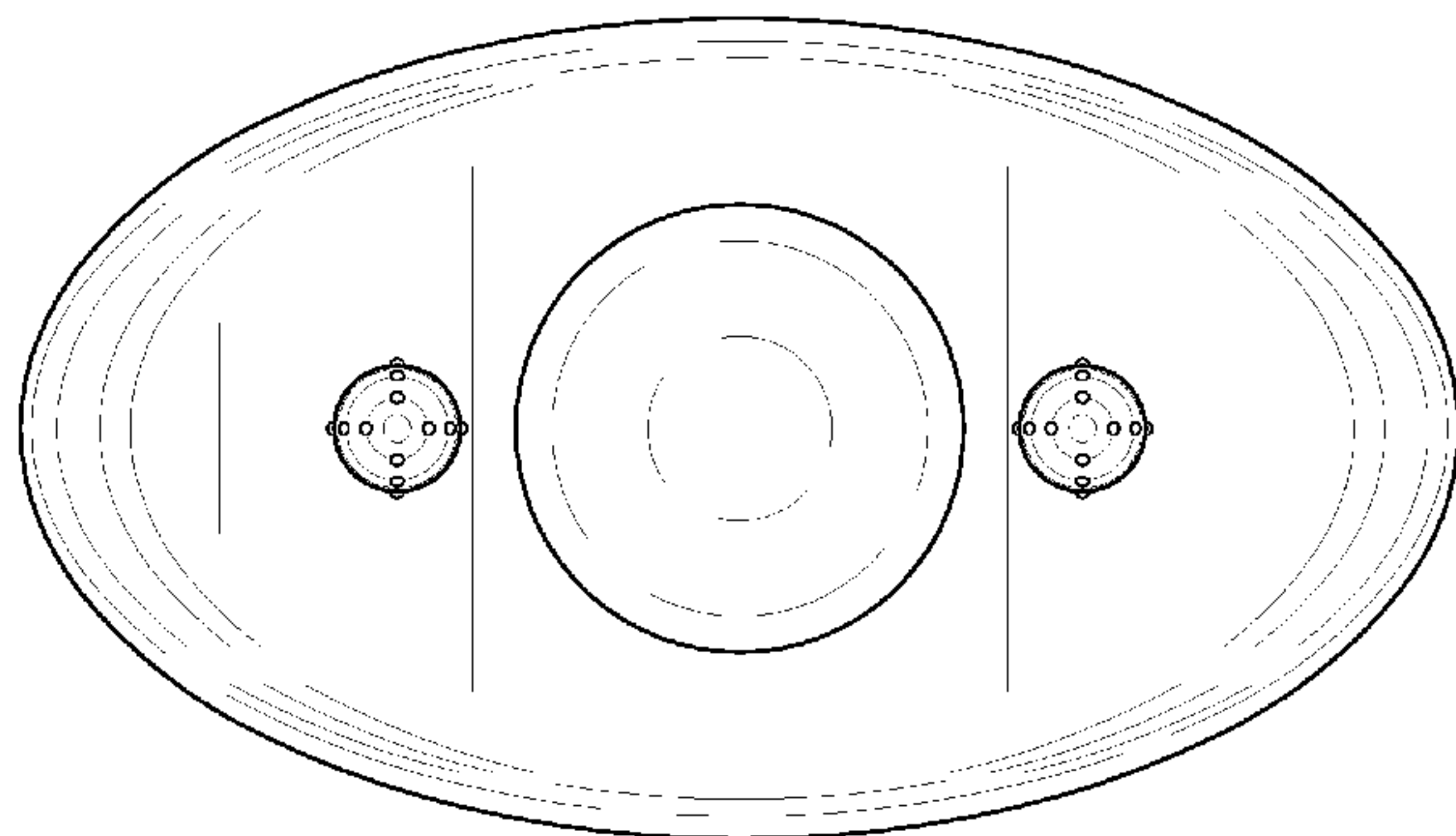
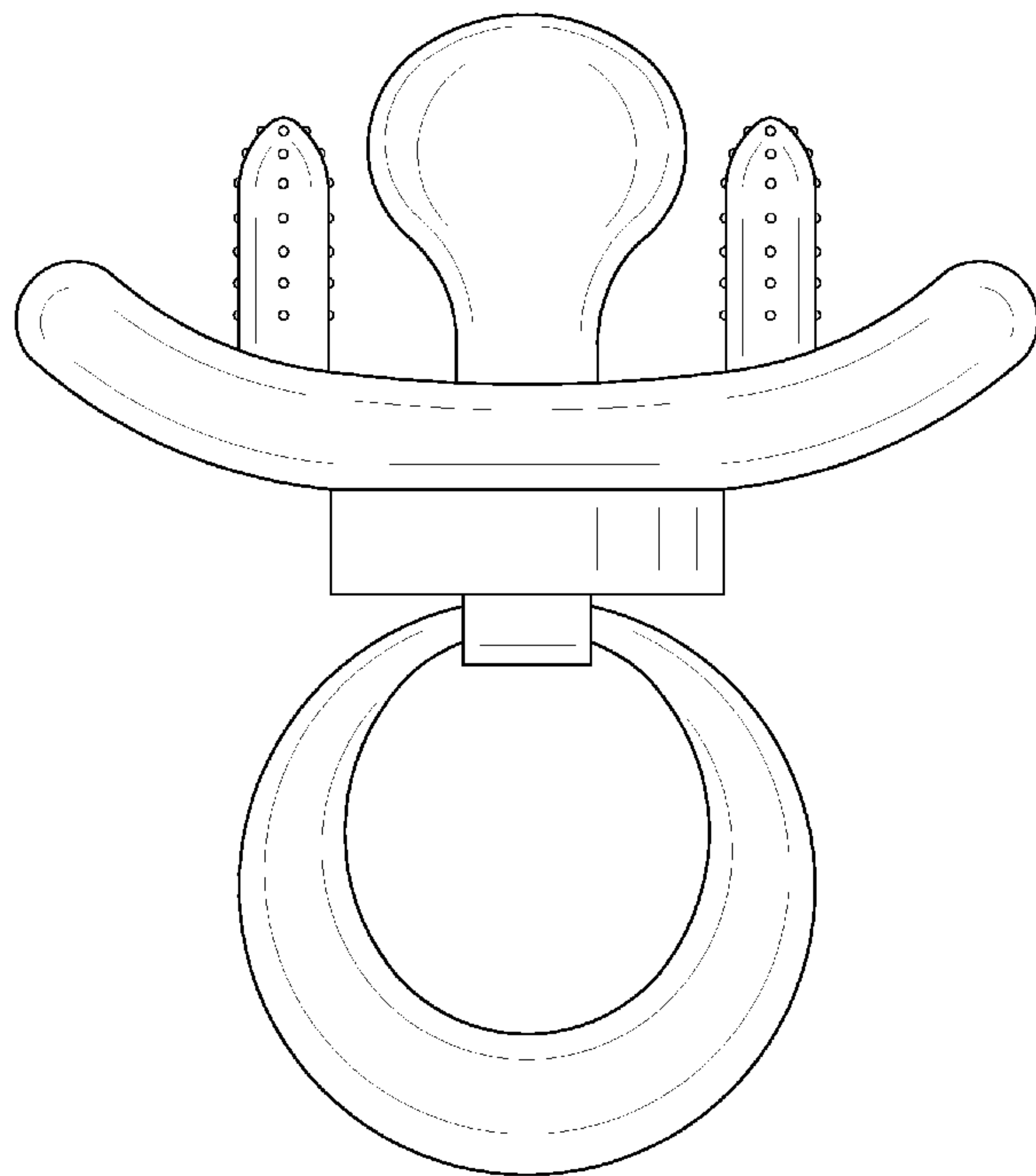
FIG. 2 is a right elevation view thereof, the opposite side being a mirror image of the shown;

FIG. 3 is a top plan view thereof;

FIG. 4 is a bottom plan view thereof; and,

FIG. 5 is an isometric view thereof.

**1 Claim, 4 Drawing Sheets**



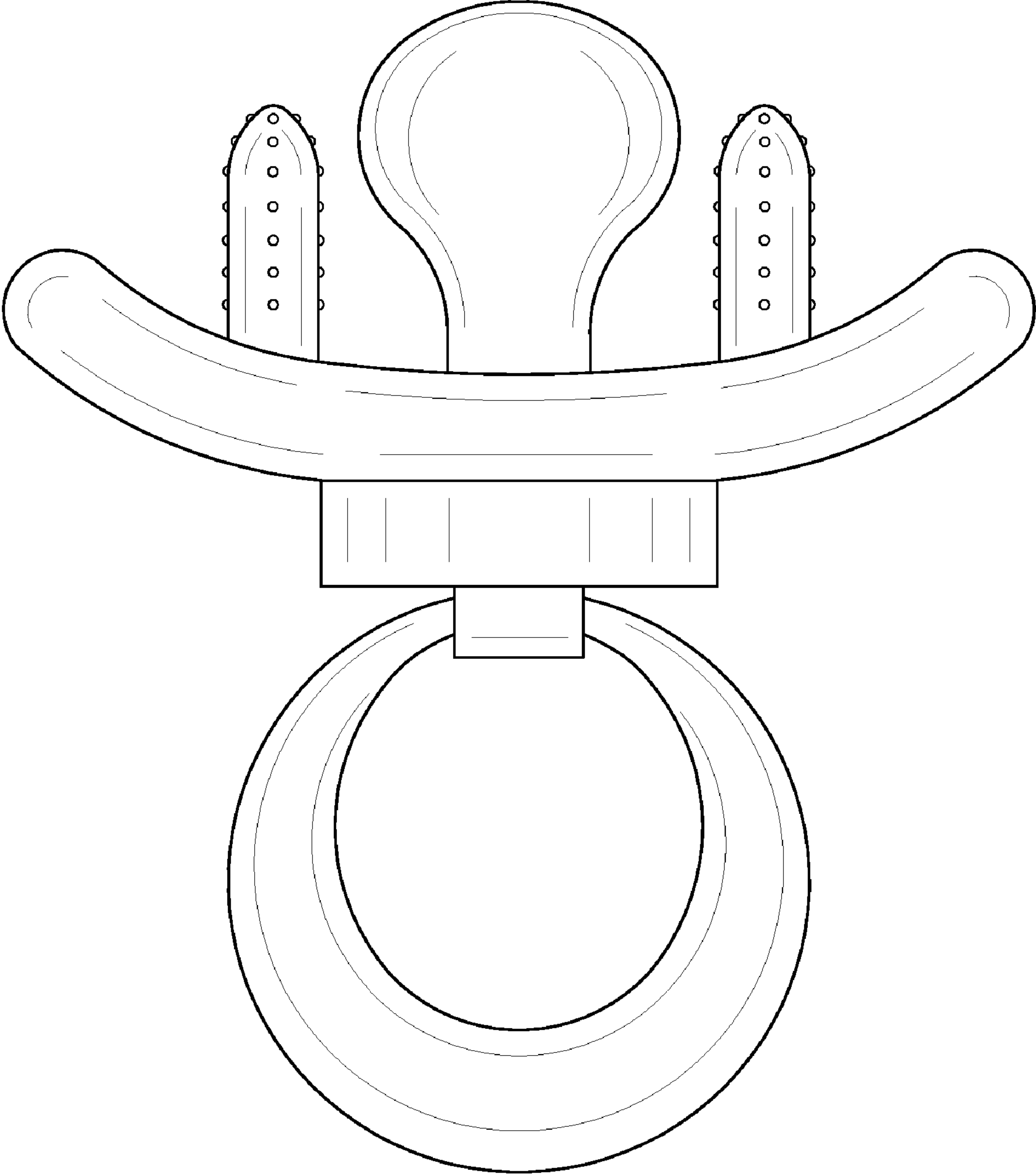


FIG. 1

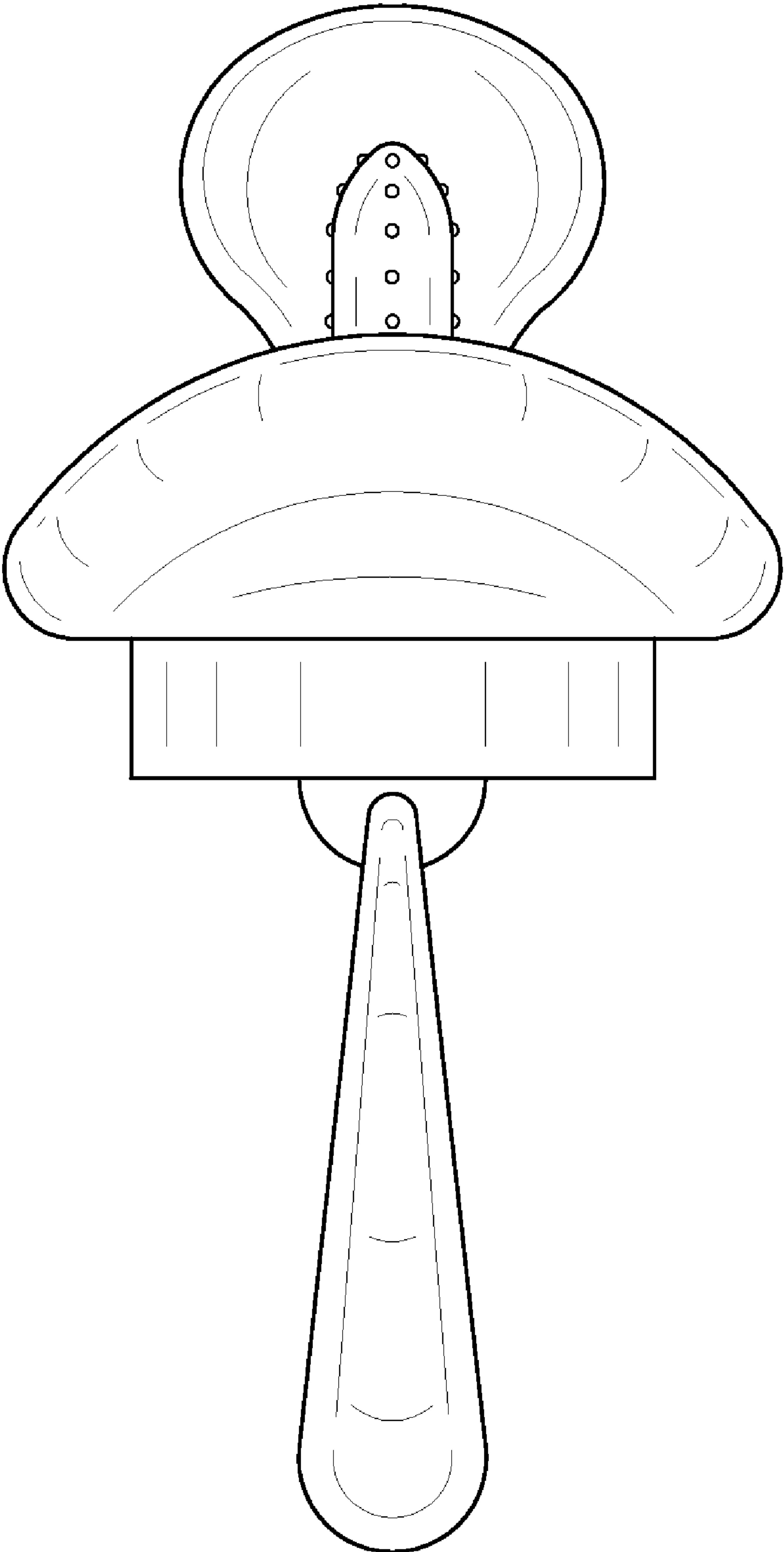


FIG. 2

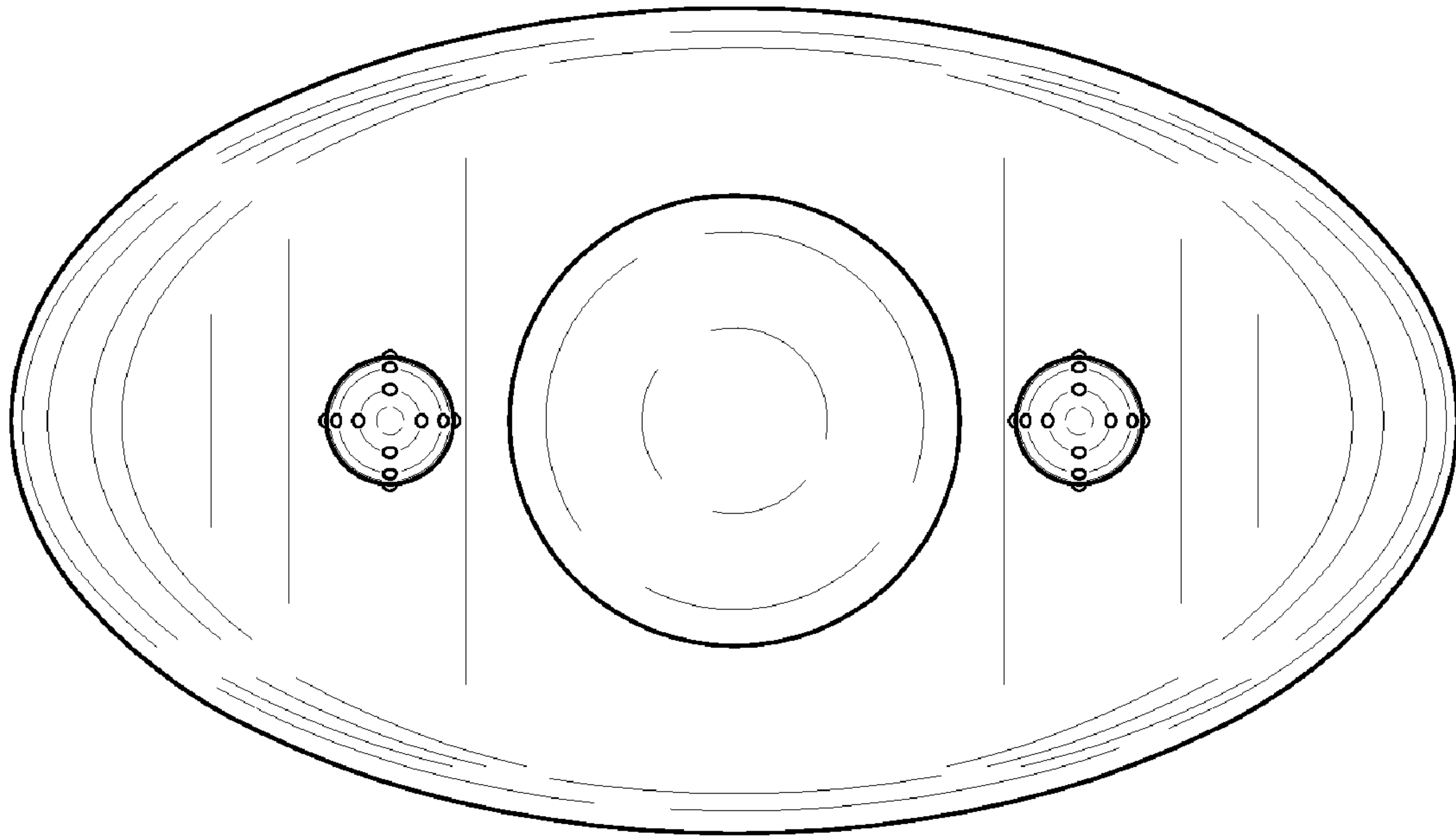


FIG. 3

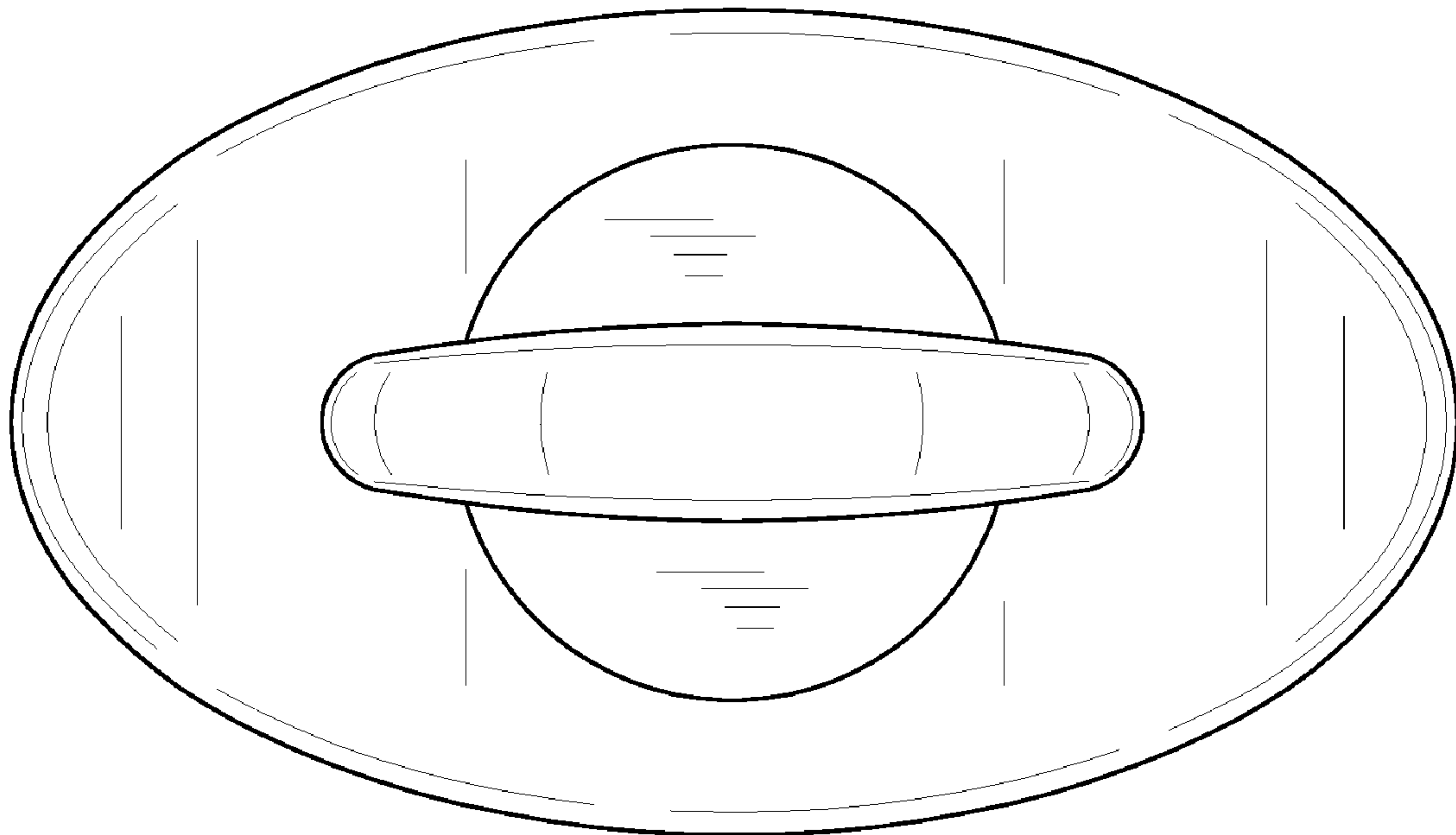


FIG. 4

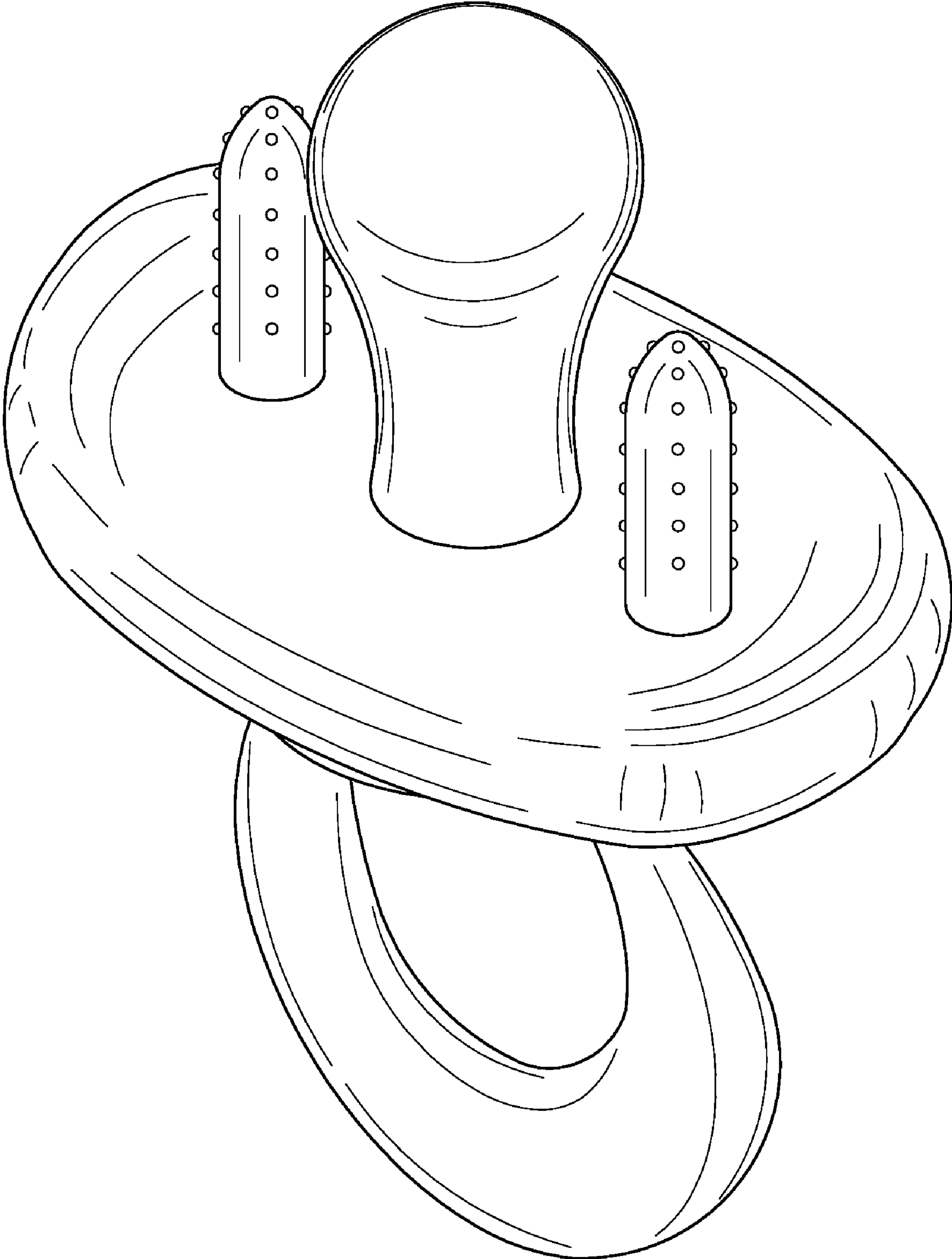


FIG. 5