



US00D624187S

(12) **United States Design Patent**
Borregaard

(10) **Patent No.:** **US D624,187 S**
(45) **Date of Patent:** **** Sep. 21, 2010**

(54) **WIRELESS HEARING DEVICE ASSEMBLY**

D560,808 S * 1/2008 Jurkiewicz D24/174

(75) Inventor: **Sune Pelle Borregaard**, Smorum (DK)

* cited by examiner

(73) Assignee: **Phonic Ear A/S**, Smorum (DK)

Primary Examiner—T. Chase Nelson

Assistant Examiner—Anhdao Doan

(**) Term: **14 Years**

(74) *Attorney, Agent, or Firm*—Birch, Stewart, Kolasch & Birch, LLP

(21) Appl. No.: **29/300,972**

(57) **CLAIM**

(22) Filed: **Jun. 5, 2008**

The ornamental design for a wireless hearing device assembly, as substantially shown and described.

(30) **Foreign Application Priority Data**

DESCRIPTION

Dec. 5, 2007 (EM) 000837521-0001

(51) **LOC (9) Cl.** **24-99**

FIG. 1 is a front perspective view of the wireless hearing device assembly;

(52) **U.S. Cl.** **D24/174**

FIG. 2 is a rear view of the wireless hearing device assembly;

(58) **Field of Classification Search** D24/173-175,
D24/182, 106; D14/205, 223, 224, 249;
381/23.1, 312, 322-324, 328-330, 334, 381;
181/129, 137

FIG. 3 is a right side view of the wireless hearing device assembly;

See application file for complete search history.

FIG. 4 is a front view of the wireless hearing device assembly;

FIG. 5 is a top view of the wireless hearing device assembly;

(56) **References Cited**

FIG. 6 is a left side view of the wireless hearing device assembly; and,

FIG. 7 is a bottom view of the wireless hearing device assembly.

U.S. PATENT DOCUMENTS

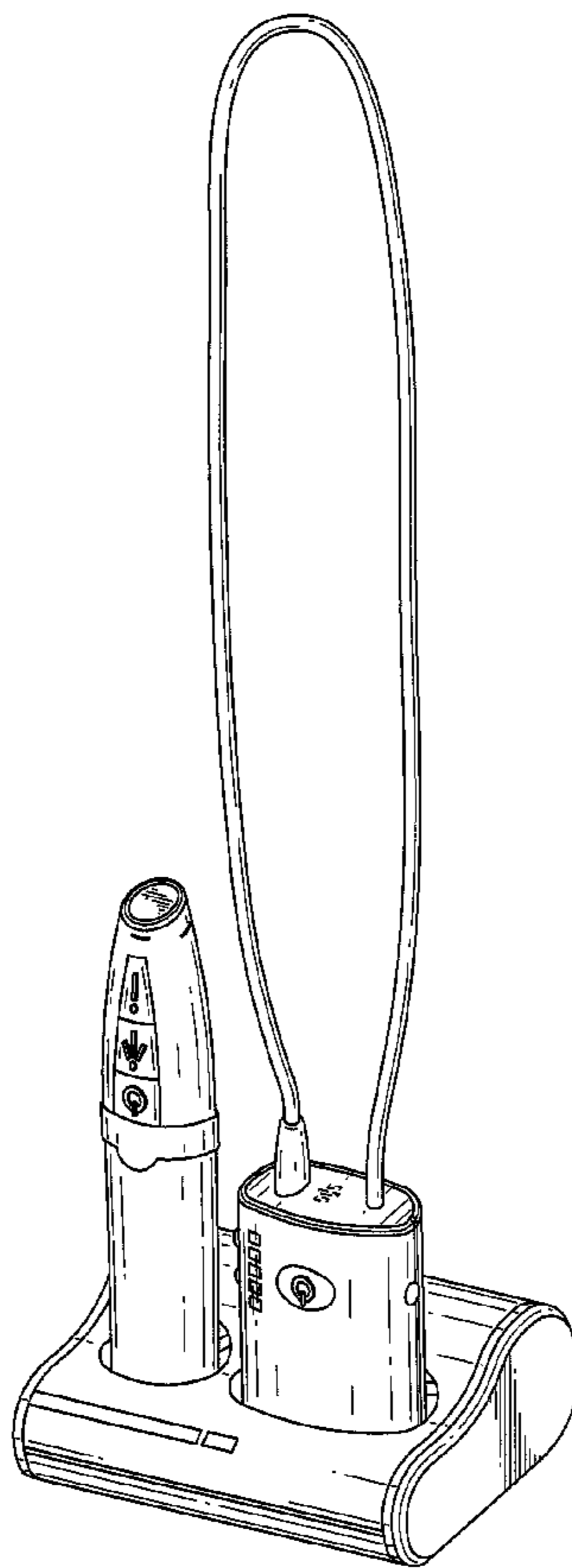
D419,677 S * 1/2000 McKimm D24/175

D448,359 S * 9/2001 Do et al. D14/223

D500,491 S * 1/2005 Eroma et al. D14/205

D541,420 S * 4/2007 Darbut et al. D24/174

1 Claim, 6 Drawing Sheets



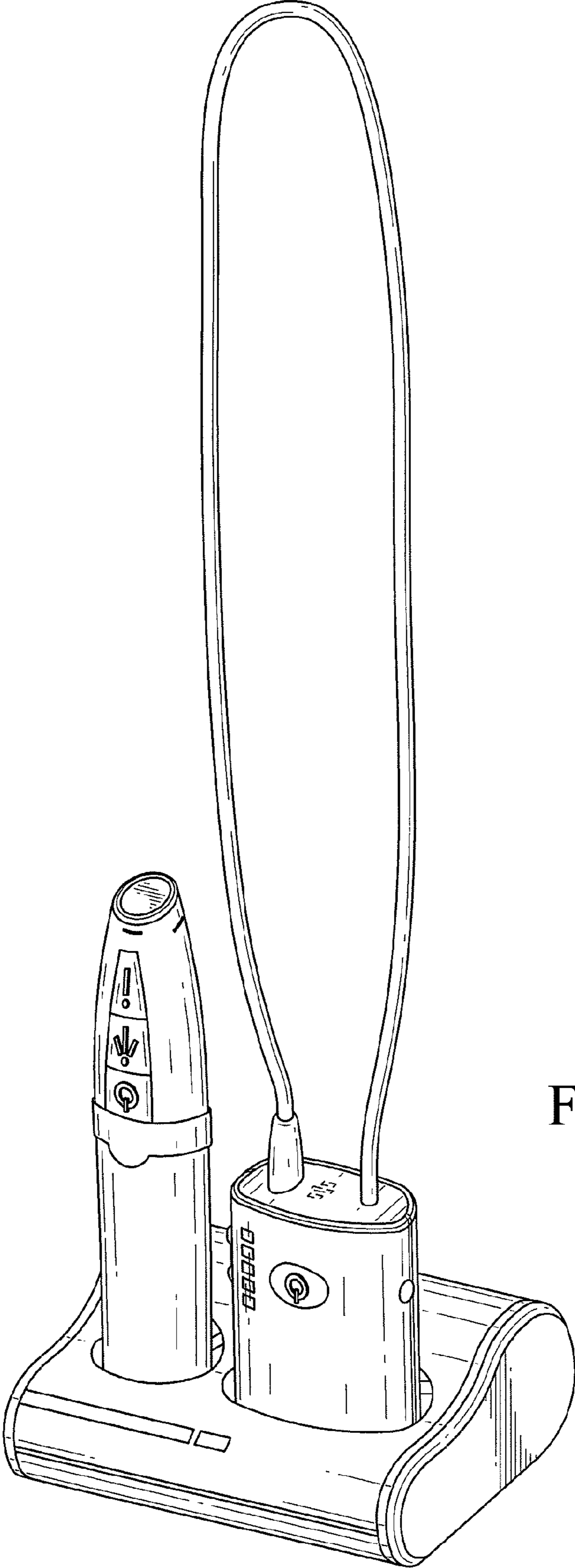


FIG.1

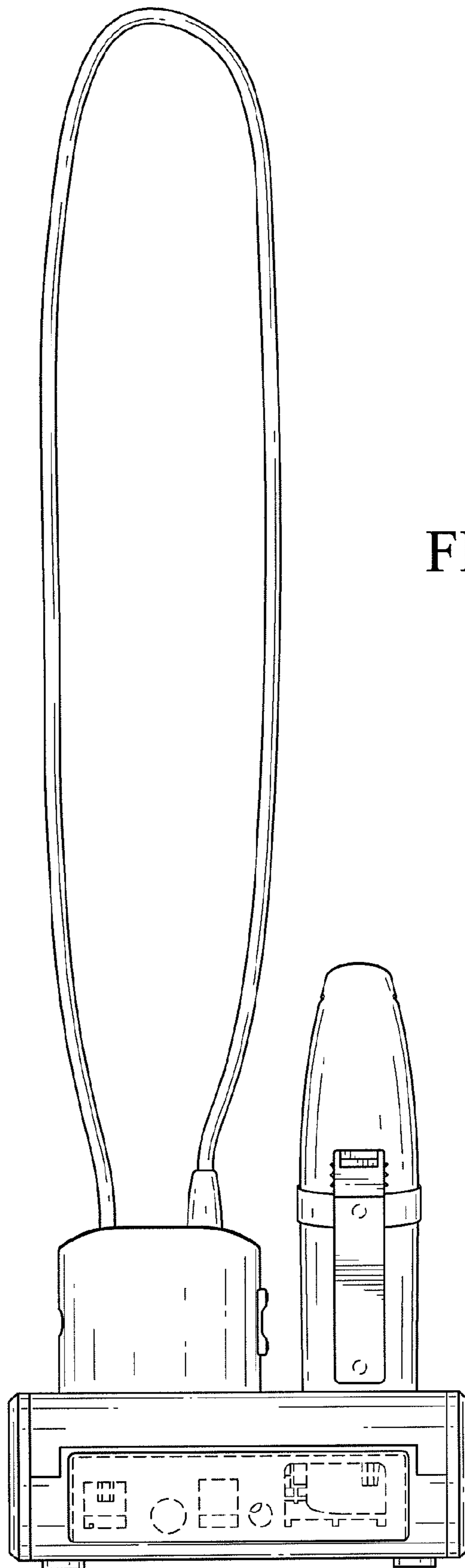


FIG.2

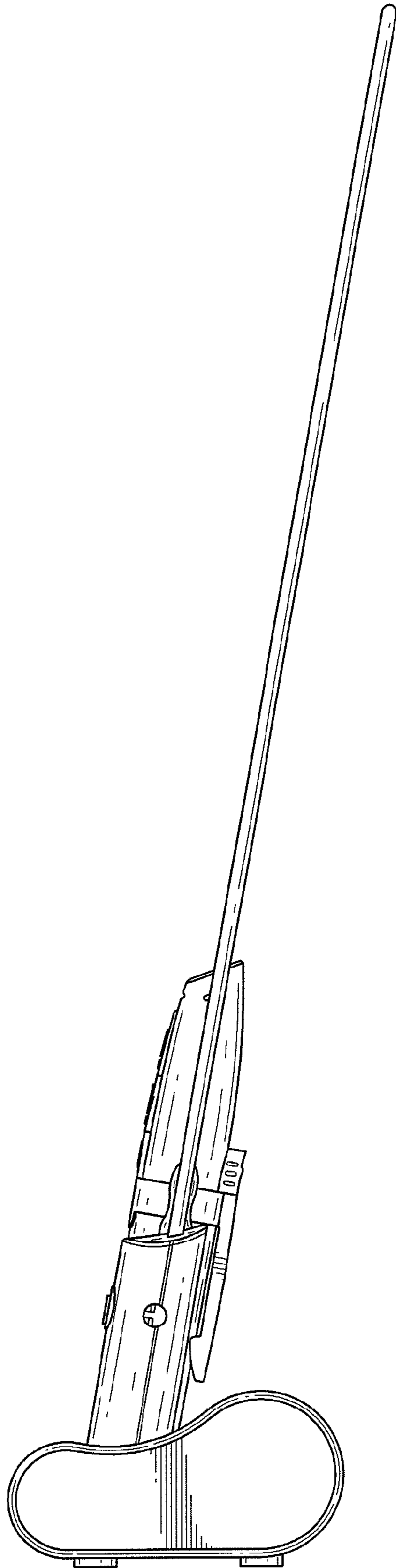
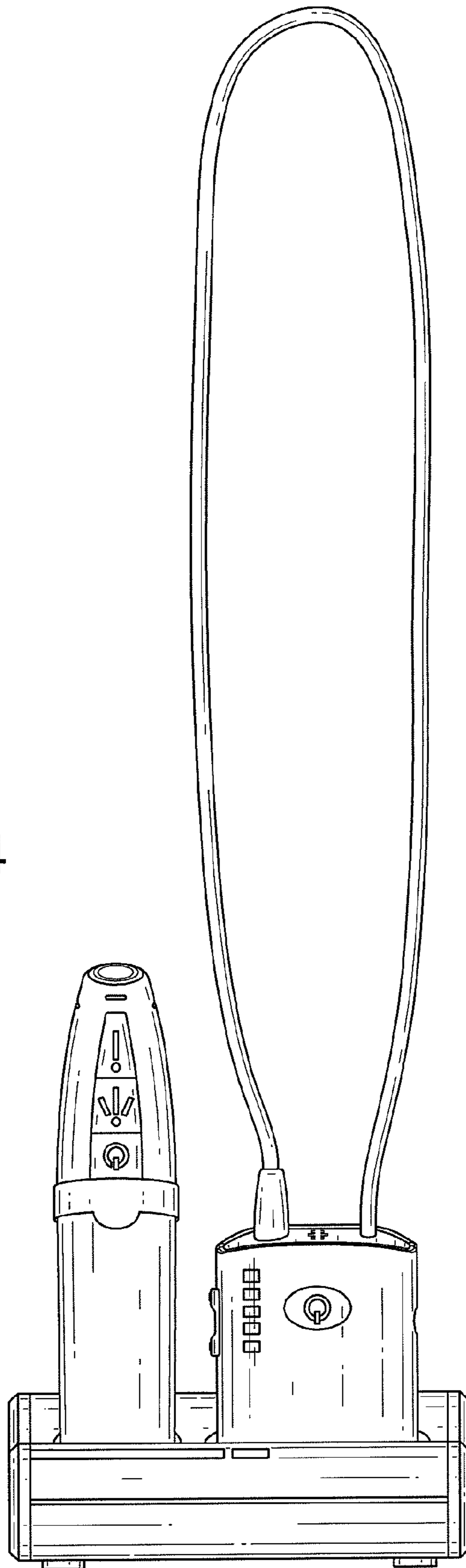


FIG.3

FIG.4



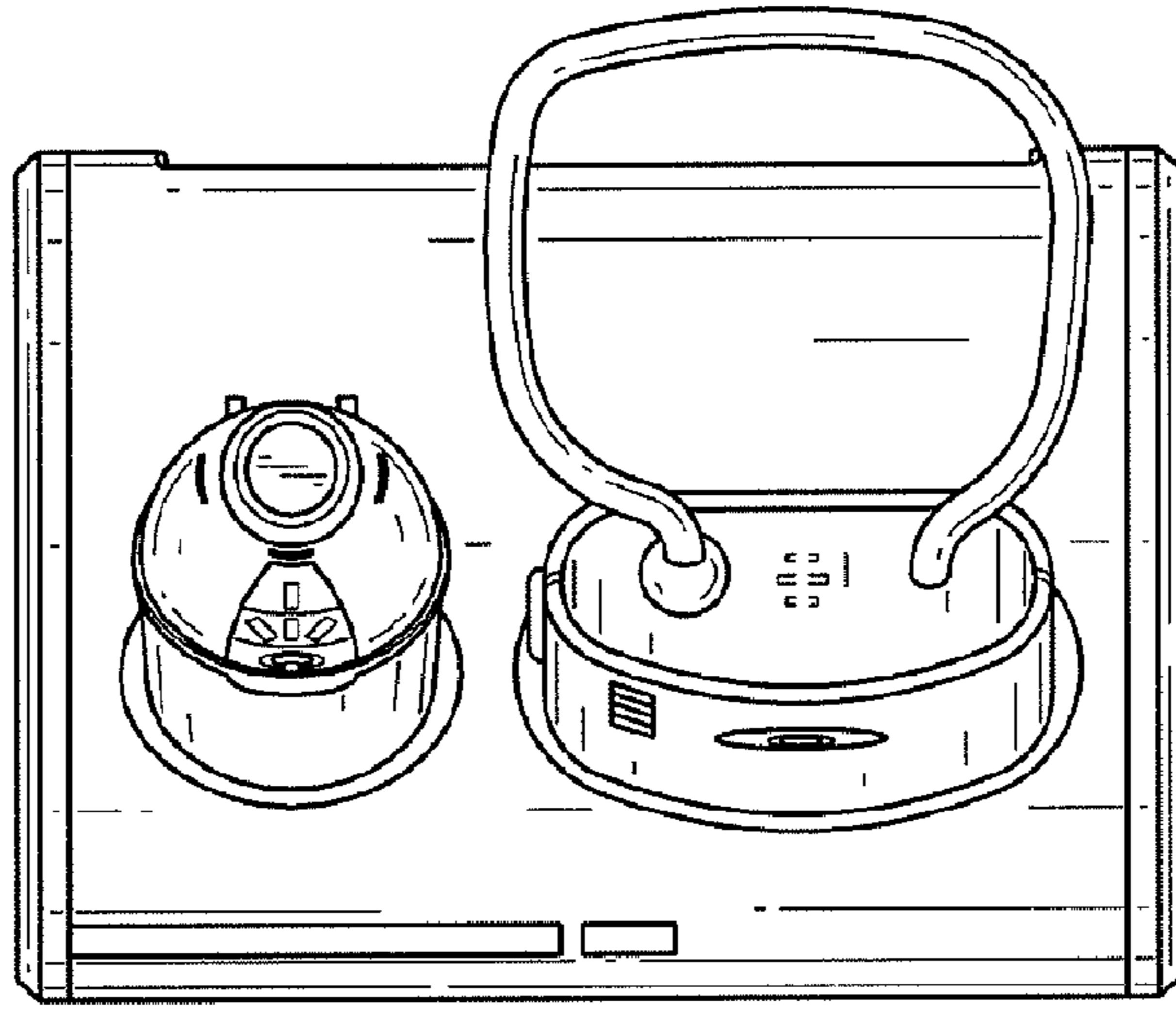


FIG. 5

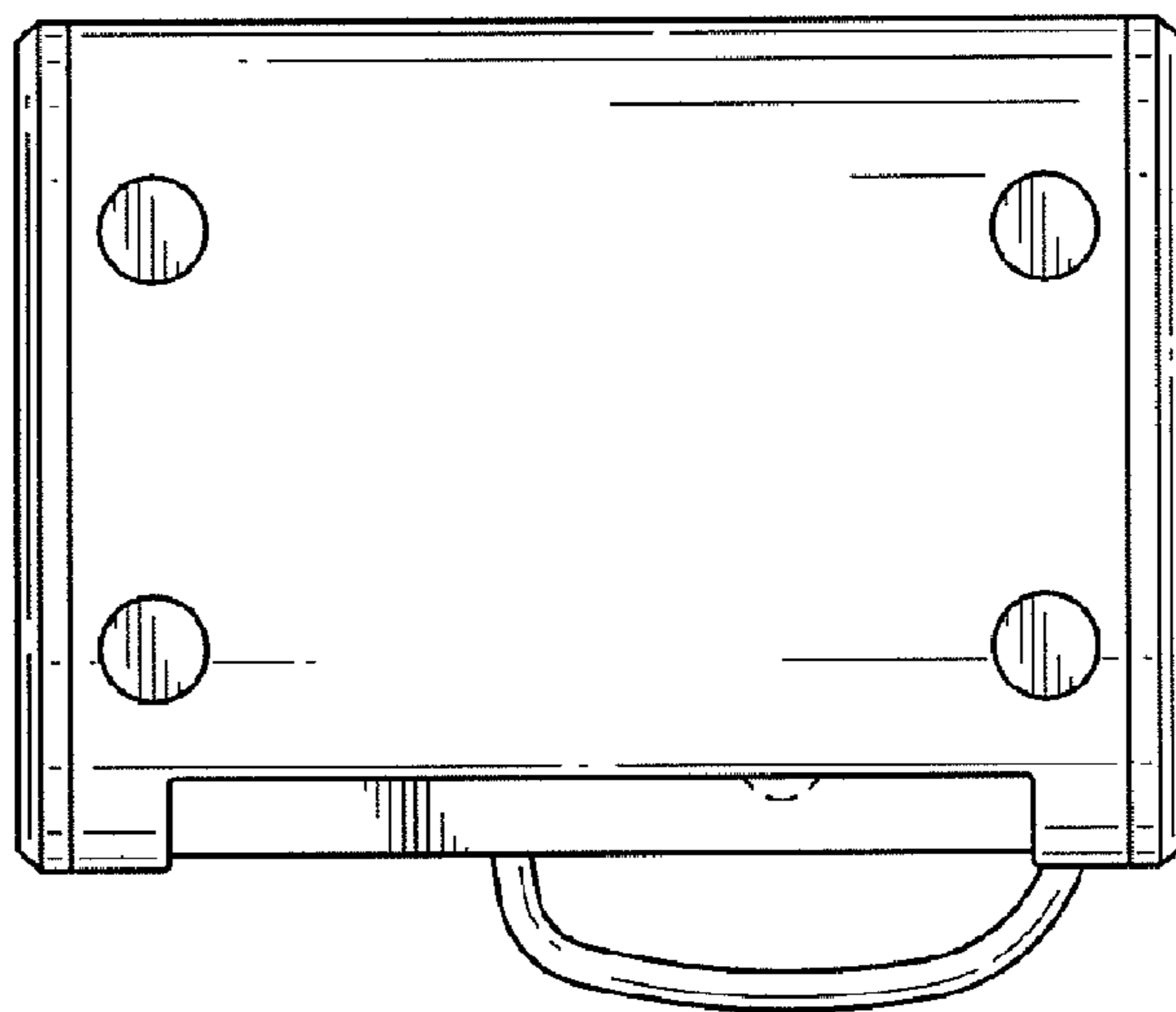


FIG. 7

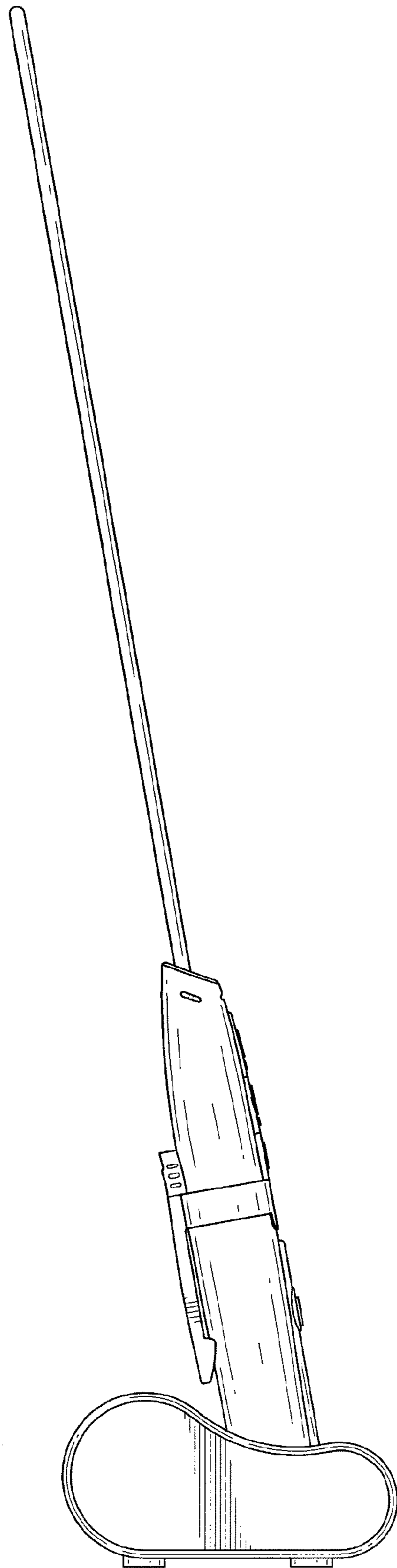


FIG.6