



US00D624186S

(12) **United States Design Patent**  
**Youn**

(10) **Patent No.:** **US D624,186 S**  
(45) **Date of Patent:** **\*\* Sep. 21, 2010**

(54) **X-RAY IMAGING DEVICE FOR MEDICAL USE**

(75) Inventor: **Won-Sik Youn**, Ansan-si (KR)

(73) Assignee: **Choongwae Medical Co., Ltd.**, Seoul (KR)

(\*\*) Term: **14 Years**

(21) Appl. No.: **29/338,598**

(22) Filed: **Jun. 15, 2009**

(30) **Foreign Application Priority Data**

Apr. 2, 2009 (KR) ..... 30-2009-0013957

(51) **LOC (9) Cl.** ..... **24-01**

(52) **U.S. Cl.** ..... **D24/158**

(58) **Field of Classification Search** ..... D24/158-161,  
D24/186; 378/4, 19-21, 23, 25, 27, 146,  
378/37, 38, 193, 195-197; D14/452  
See application file for complete search history.

(56) **References Cited**

**U.S. PATENT DOCUMENTS**

D323,892 S \* 2/1992 Spoljaric ..... D24/158  
D469,182 S \* 1/2003 Choi et al. .... D24/158  
D478,171 S \* 8/2003 Malmen ..... D24/158  
D554,755 S \* 11/2007 Iwasaki et al. .... D24/158  
D555,243 S \* 11/2007 Linev ..... D24/158

D604,415 S \* 11/2009 Otsuka et al. .... D24/158

\* cited by examiner

*Primary Examiner*—T. Chase Nelson

*Assistant Examiner*—Anhdao Doan

(74) *Attorney, Agent, or Firm*—Baker & Hostetler LLP

(57) **CLAIM**

The ornamental design for an x-ray imaging device for medical use, as shown and described.

**DESCRIPTION**

FIG. 1 is a perspective view of an x-ray imaging device for medical use showing my new design;

FIG. 2 is a front view of an x-ray imaging device for medical use;

FIG. 3 is a rear view of an x-ray imaging device for medical use;

FIG. 4 is a top view of an x-ray imaging device for medical use;

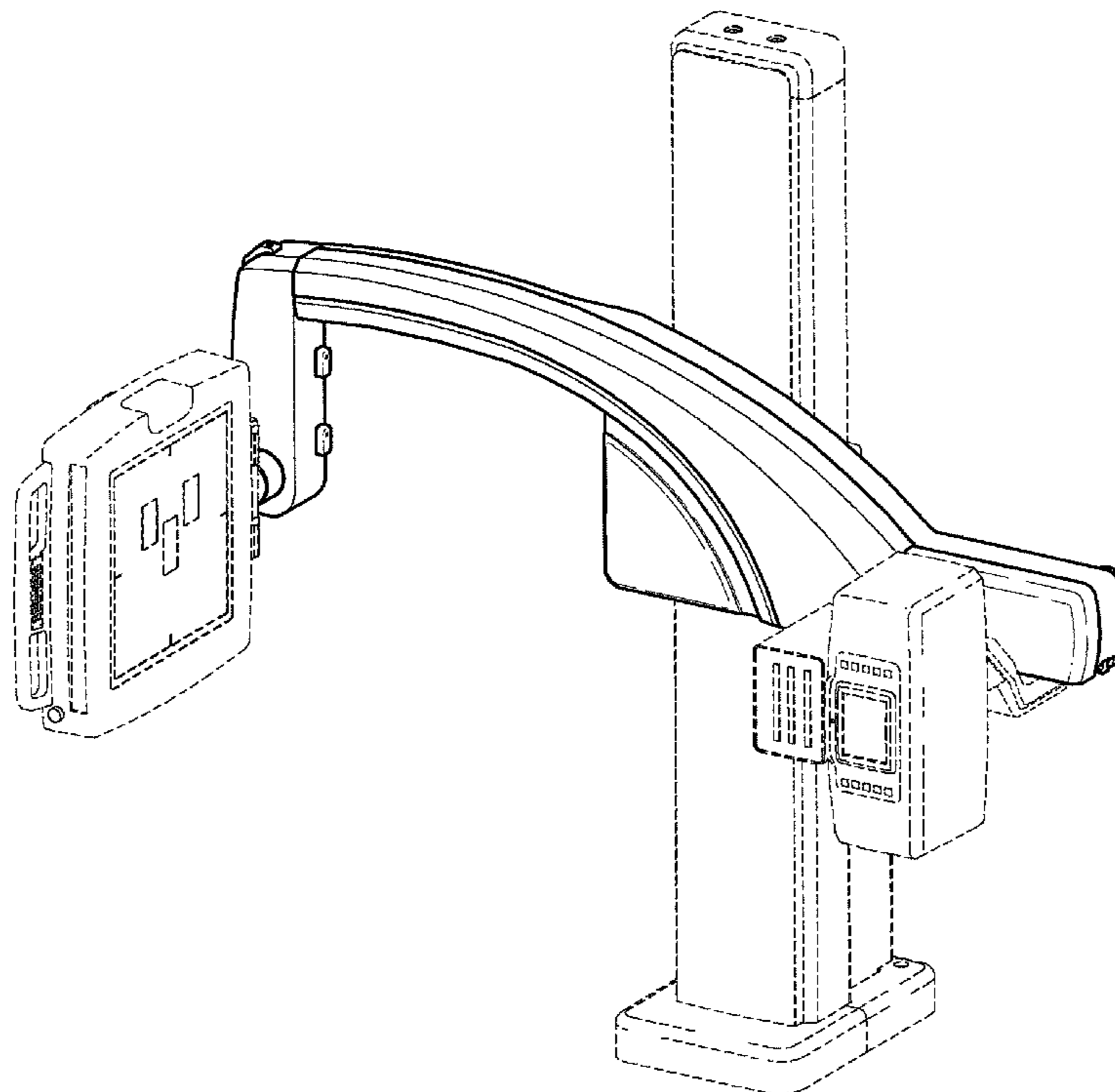
FIG. 5 is a bottom view of an x-ray imaging device for medical use;

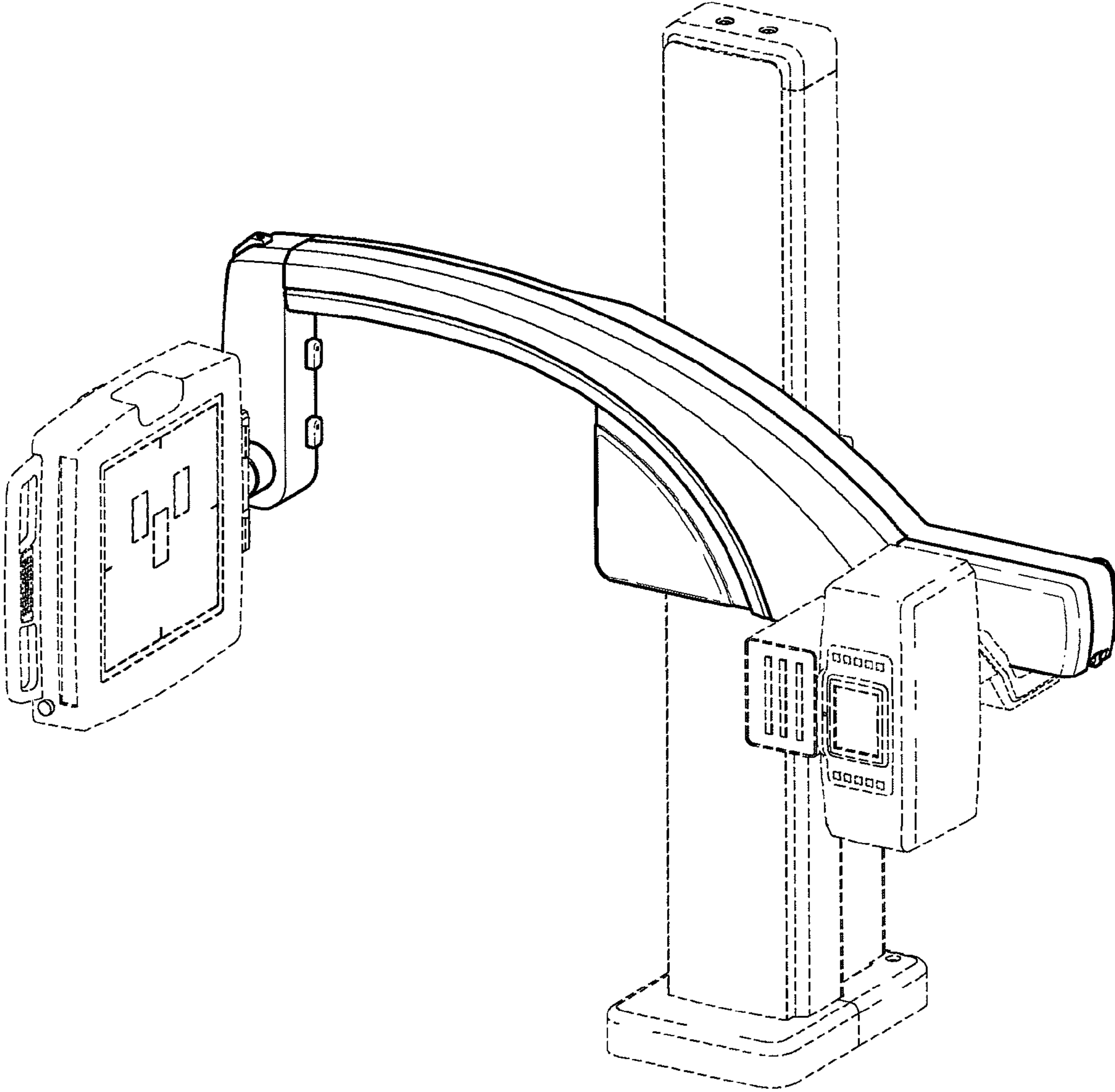
FIG. 6 is a right view of an x-ray imaging device for medical use; and,

FIG. 7 is a left view of an x-ray imaging device for medical use.

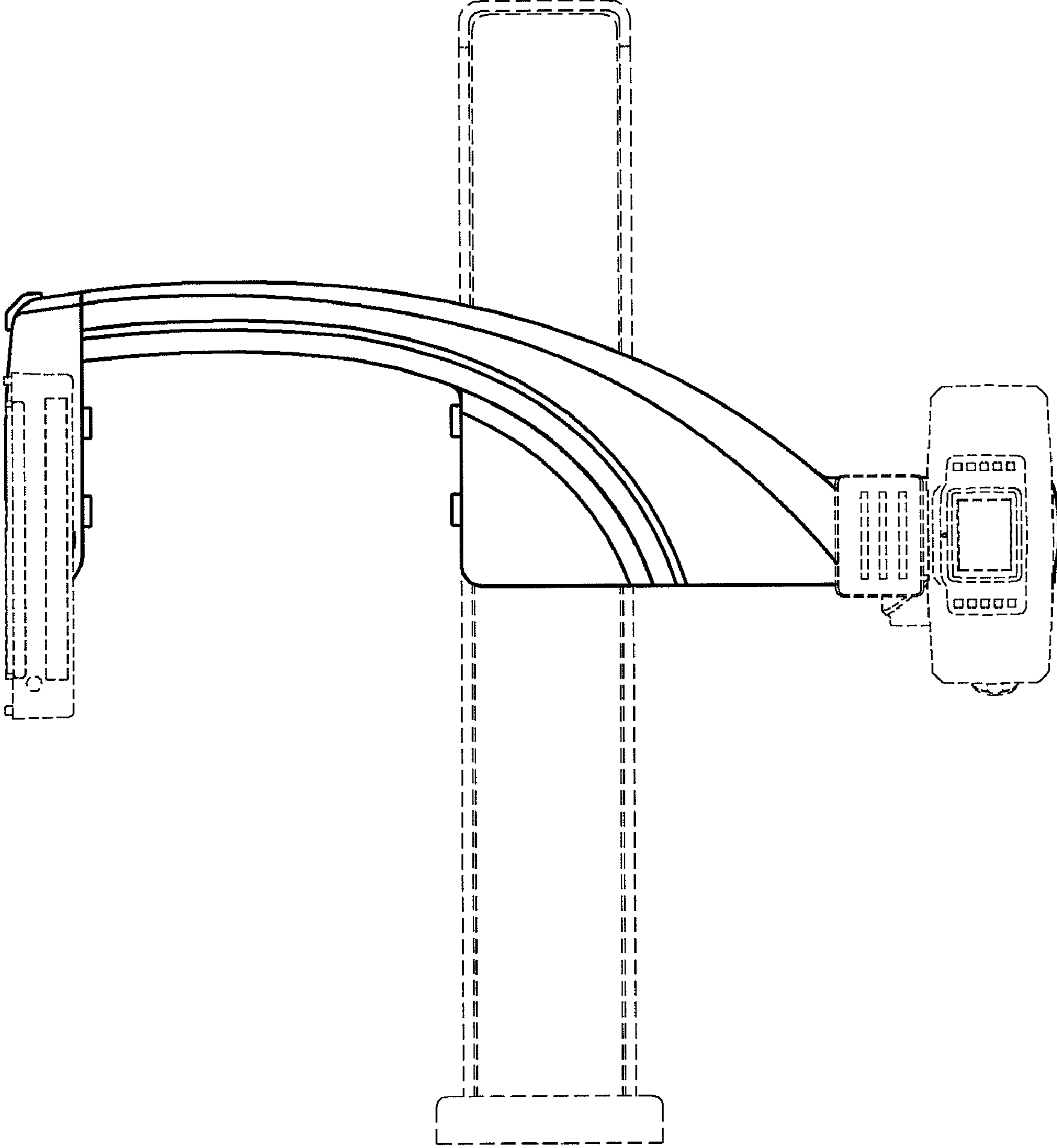
The broken lines in the drawing views are included for the purpose of illustrating portions of the an x-ray imaging device for medical use that form no part of the claimed design.

**1 Claim, 7 Drawing Sheets**

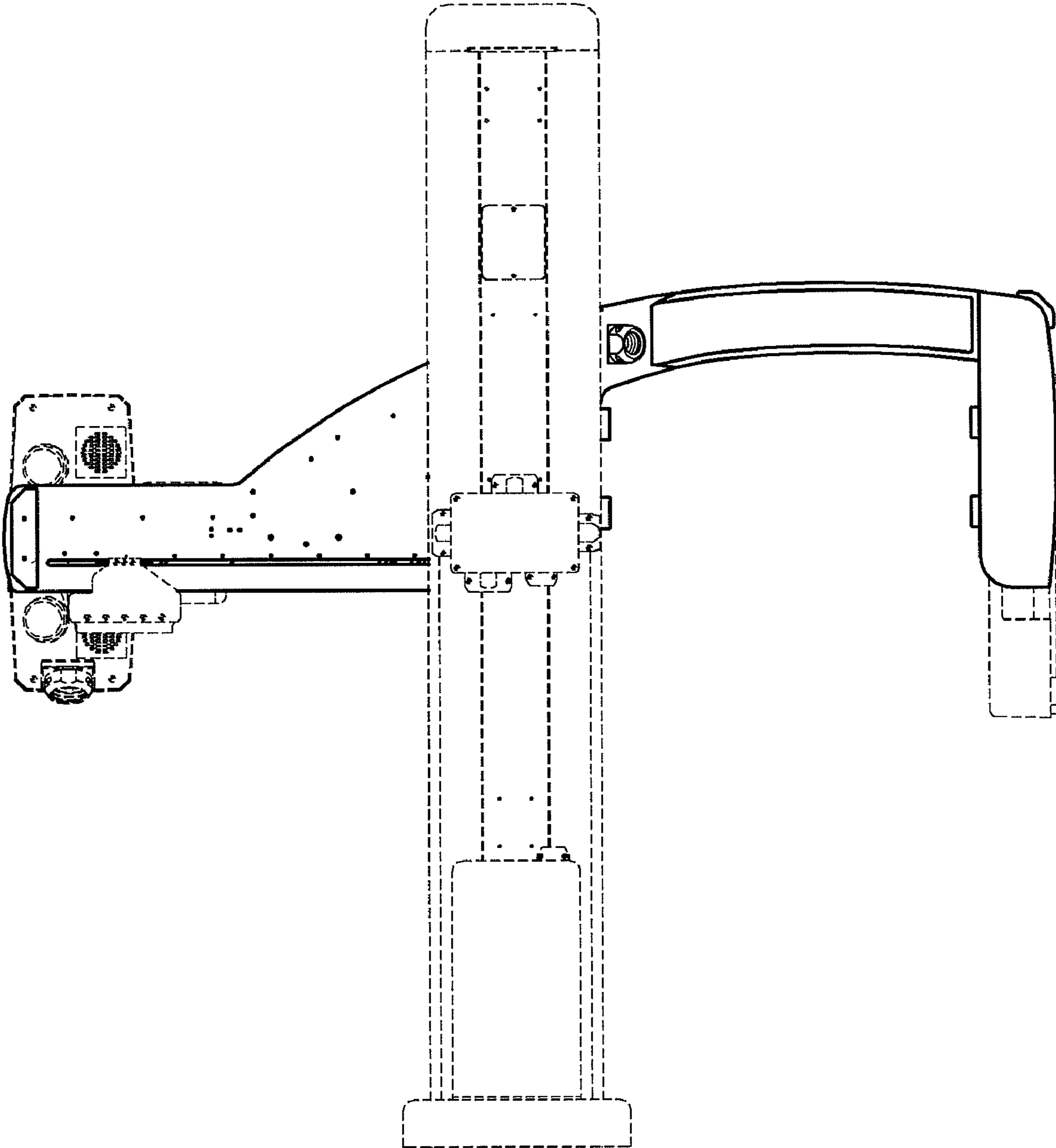




**FIG. 1**



**FIG. 2**



**FIG. 3**

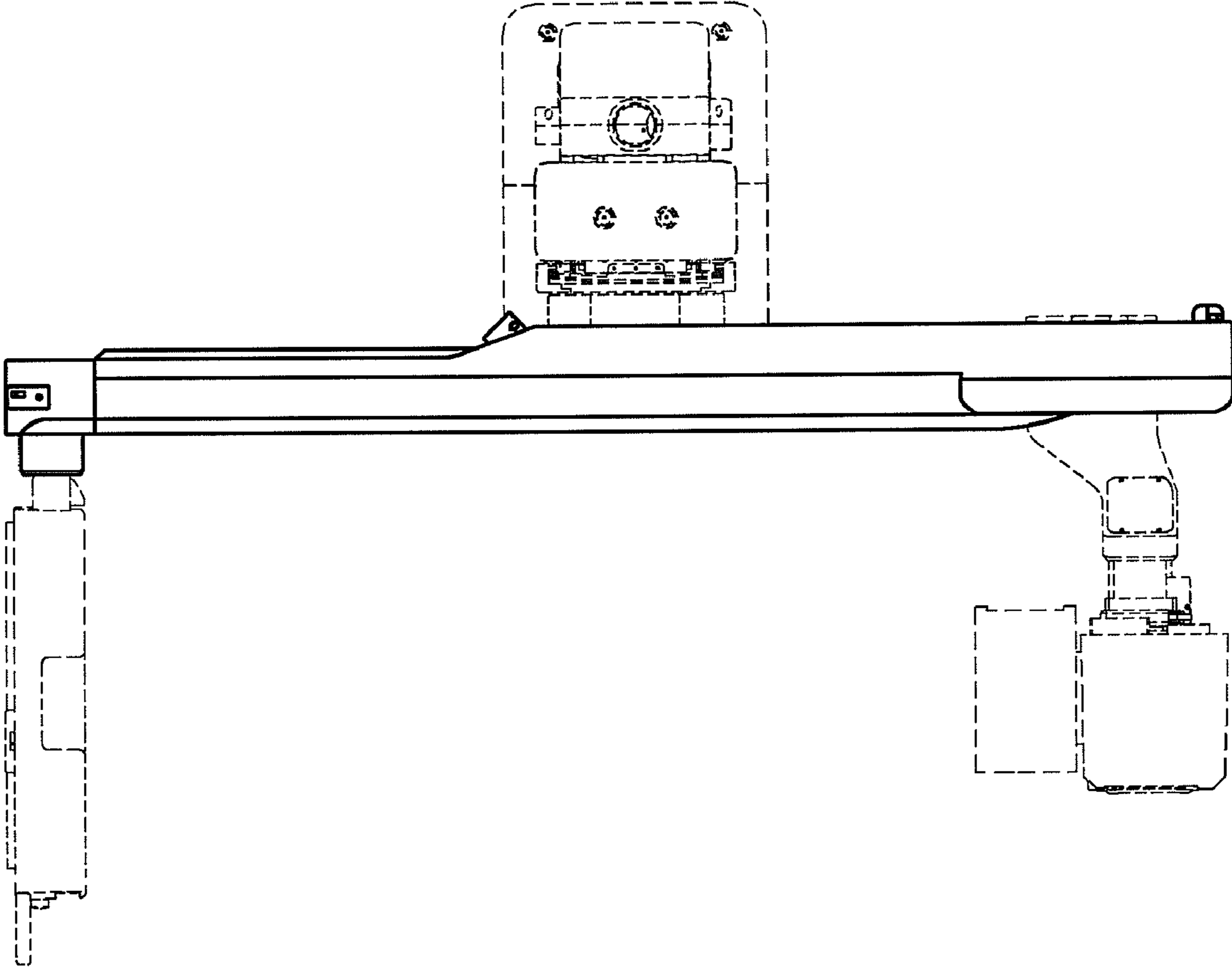


FIG. 4

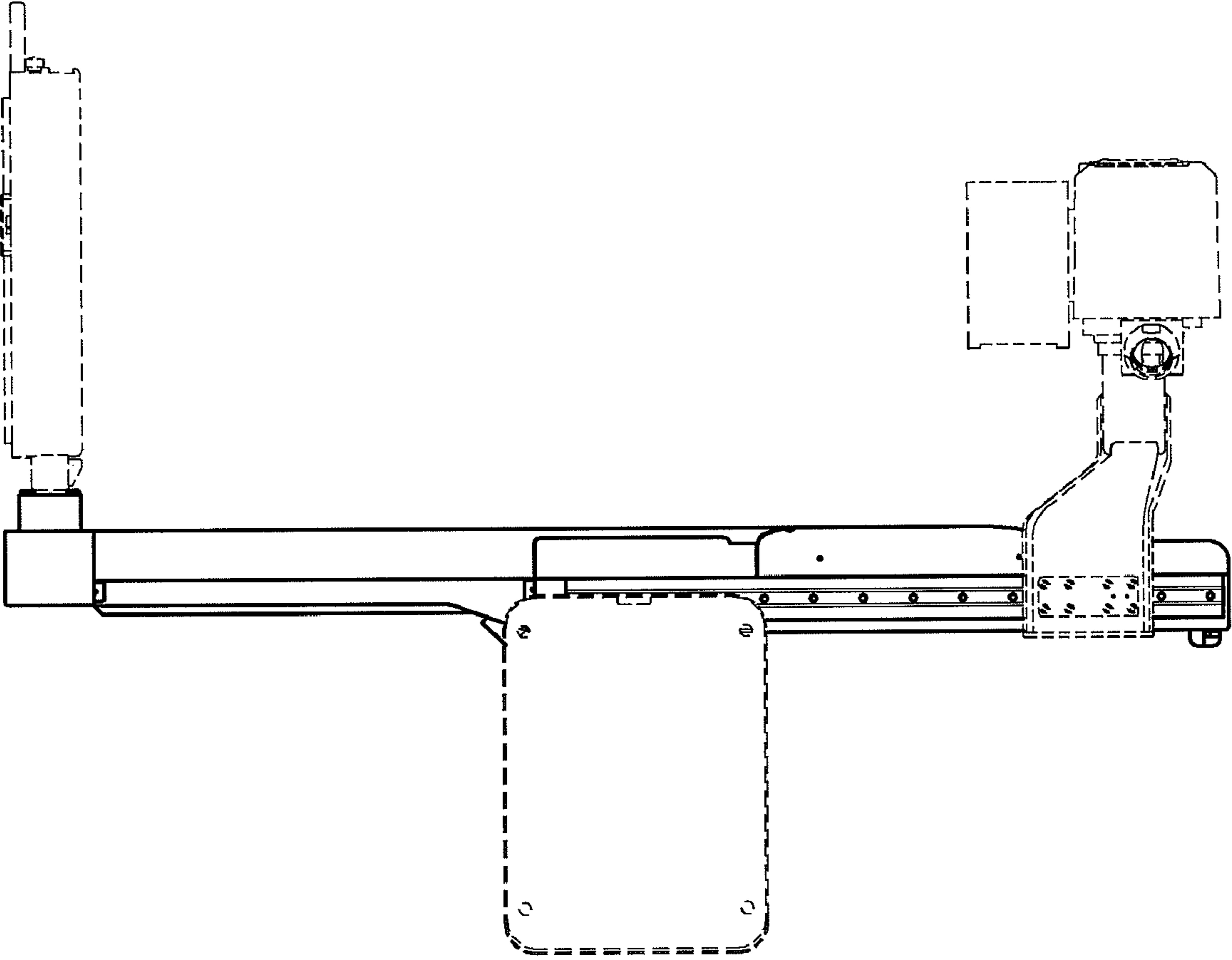


FIG. 5

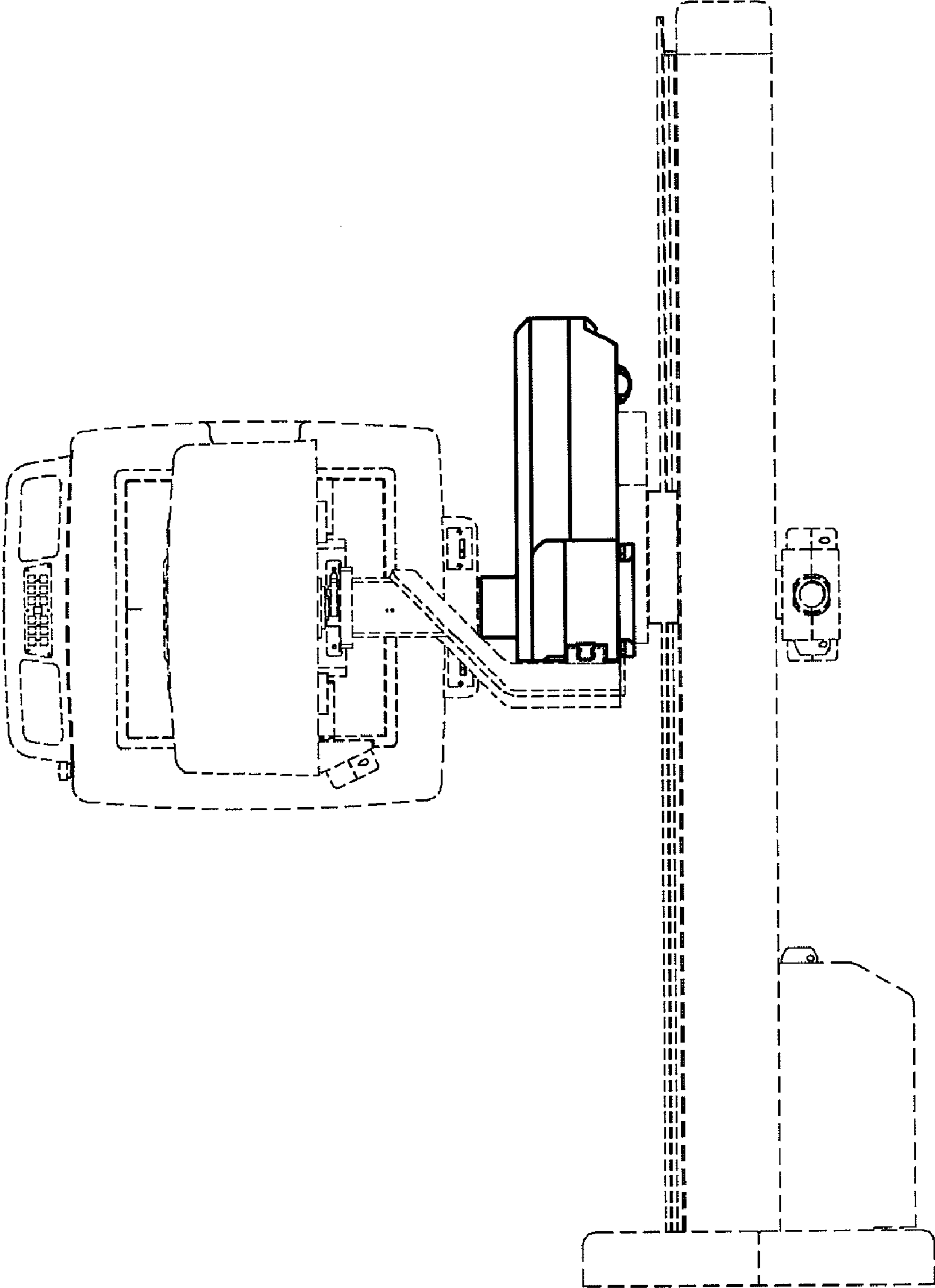


FIG. 6

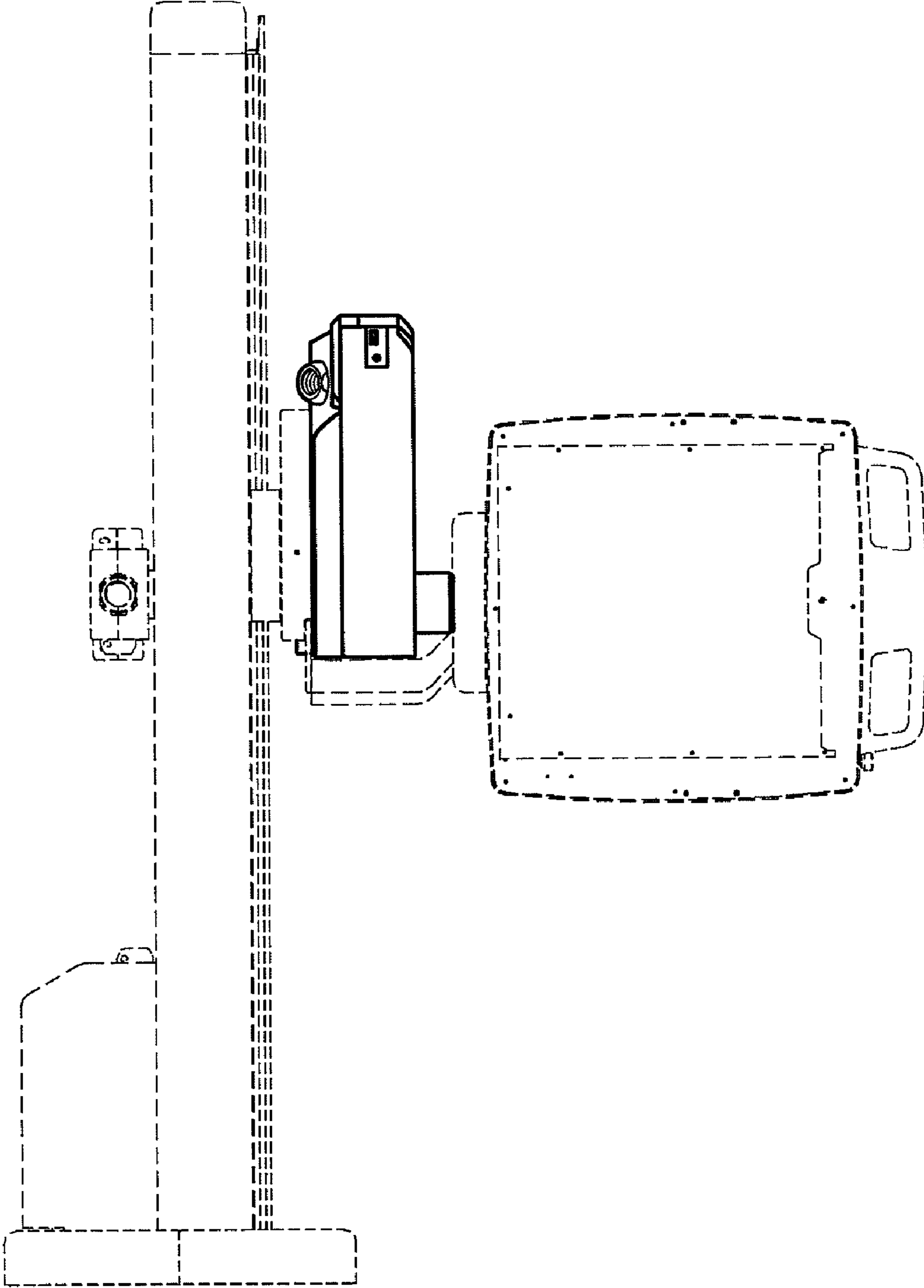


FIG. 7