



US00D624184S

(12) **United States Design Patent**  
**Baynham**

(10) **Patent No.:** **US D624,184 S**

(45) **Date of Patent:** **\*\* Sep. 21, 2010**

(54) **OSTEORASP HAND GRIP**

(75) Inventor: **Matthew G. Baynham**, Jupiter, FL (US)

(73) Assignee: **Atlas Spine, Inc.**, Jupiter, FL (US)

(\*\*) Term: **14 Years**

(21) Appl. No.: **29/319,327**

(22) Filed: **Jun. 6, 2008**

(51) **LOC (9) Cl.** ..... **24-02**

(52) **U.S. Cl.** ..... **D24/146**

(58) **Field of Classification Search** ..... D24/133,  
D24/144, 146, 112; 606/79, 85, 84  
See application file for complete search history.

(56) **References Cited**

U.S. PATENT DOCUMENTS

D258,237	S	*	2/1981	Anspach	.....	D24/146
D424,194	S	*	5/2000	Holdaway et al.	.....	D24/112
D445,899	S	*	7/2001	McLeod et al.	.....	D24/145
6,312,441	B1	*	11/2001	Deng	.....	606/170
D507,649	S	*	7/2005	Padain	.....	D24/144
D511,002	S	*	10/2005	Easley	.....	D24/144
D538,129	S	*	3/2007	Jansson et al.	.....	D8/82
D538,851	S	*	3/2007	Sandel et al.	.....	D19/36
D559,385	S	*	1/2008	Boone et al.	.....	D24/133

\* cited by examiner

*Primary Examiner*—Ian Simmons

*Assistant Examiner*—Anna J Burmeister

(74) *Attorney, Agent, or Firm*—McHale & Slavin, P.A.

(57) **CLAIM**

The ornamental design for an osteorasp hand grip, as shown and described.

**DESCRIPTION**

FIG. 1 is a perspective view of an osteorasp hand grip illustrated in the closed condition, showing my new design;

FIG. 2 is a right side view thereof;

FIG. 3 is a top view thereof;

FIG. 4 is a left side view thereof;

FIG. 5 is a bottom view thereof;

FIG. 6 is a front view thereof;

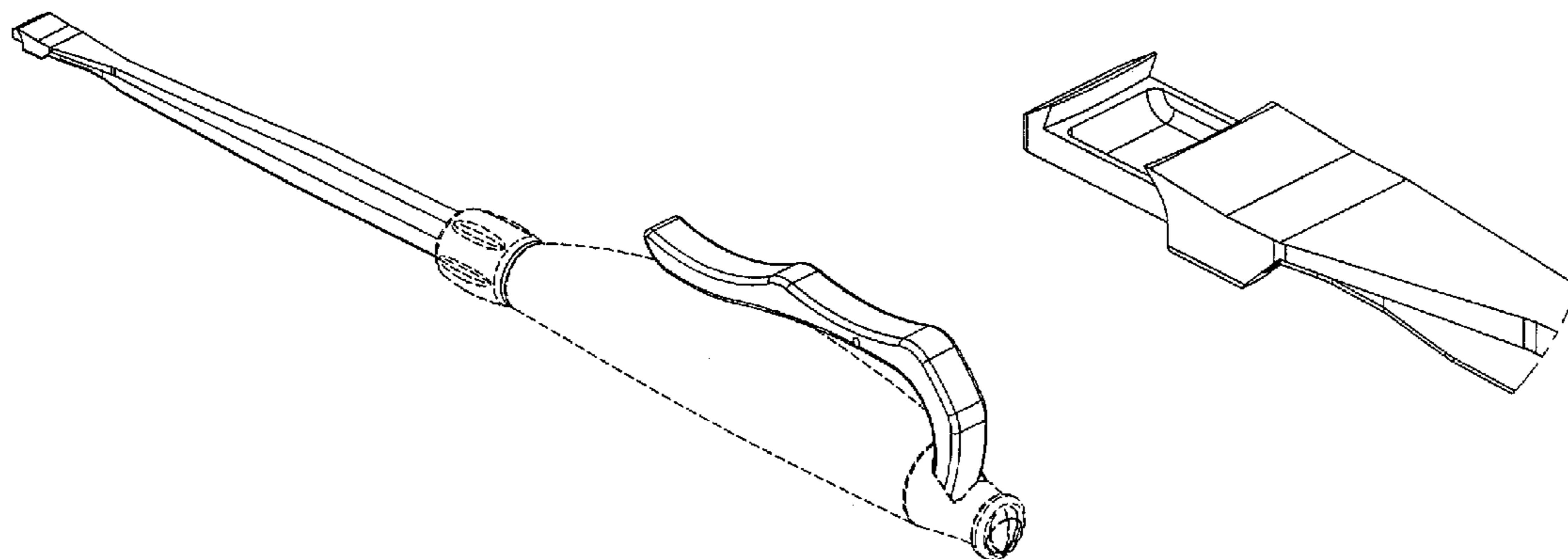
FIG. 7 is a rear view thereof;

FIG. 8 is a partial top perspective view thereof, shown at an enlarged scale and in the opened condition; and,

FIG. 9 is a partial top perspective view thereof, shown at an enlarged scale and in the closed condition.

The broken lines shown in the drawings are for environmental structure only and form no part of the claimed design.

**1 Claim, 2 Drawing Sheets**



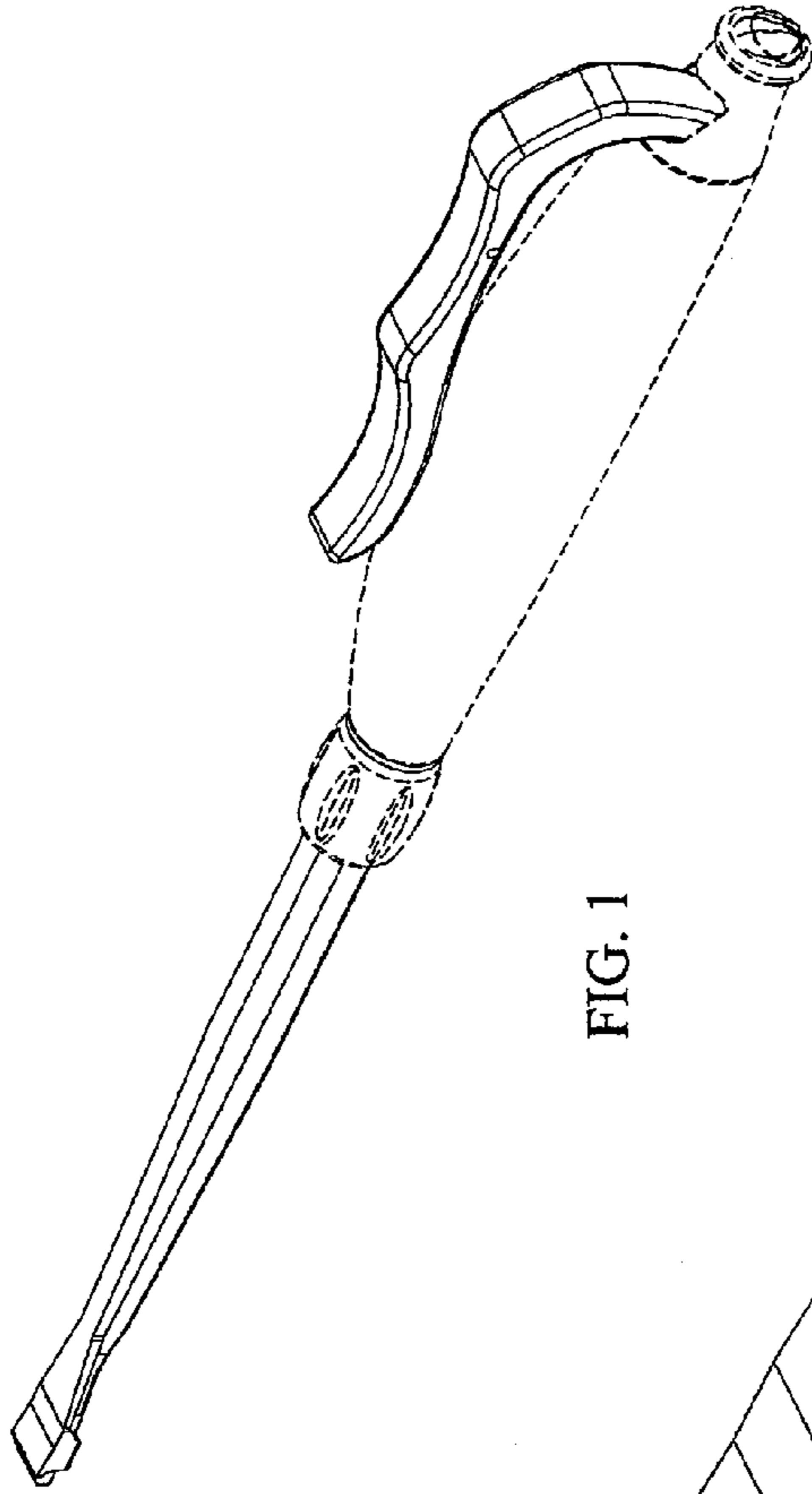


FIG. 1

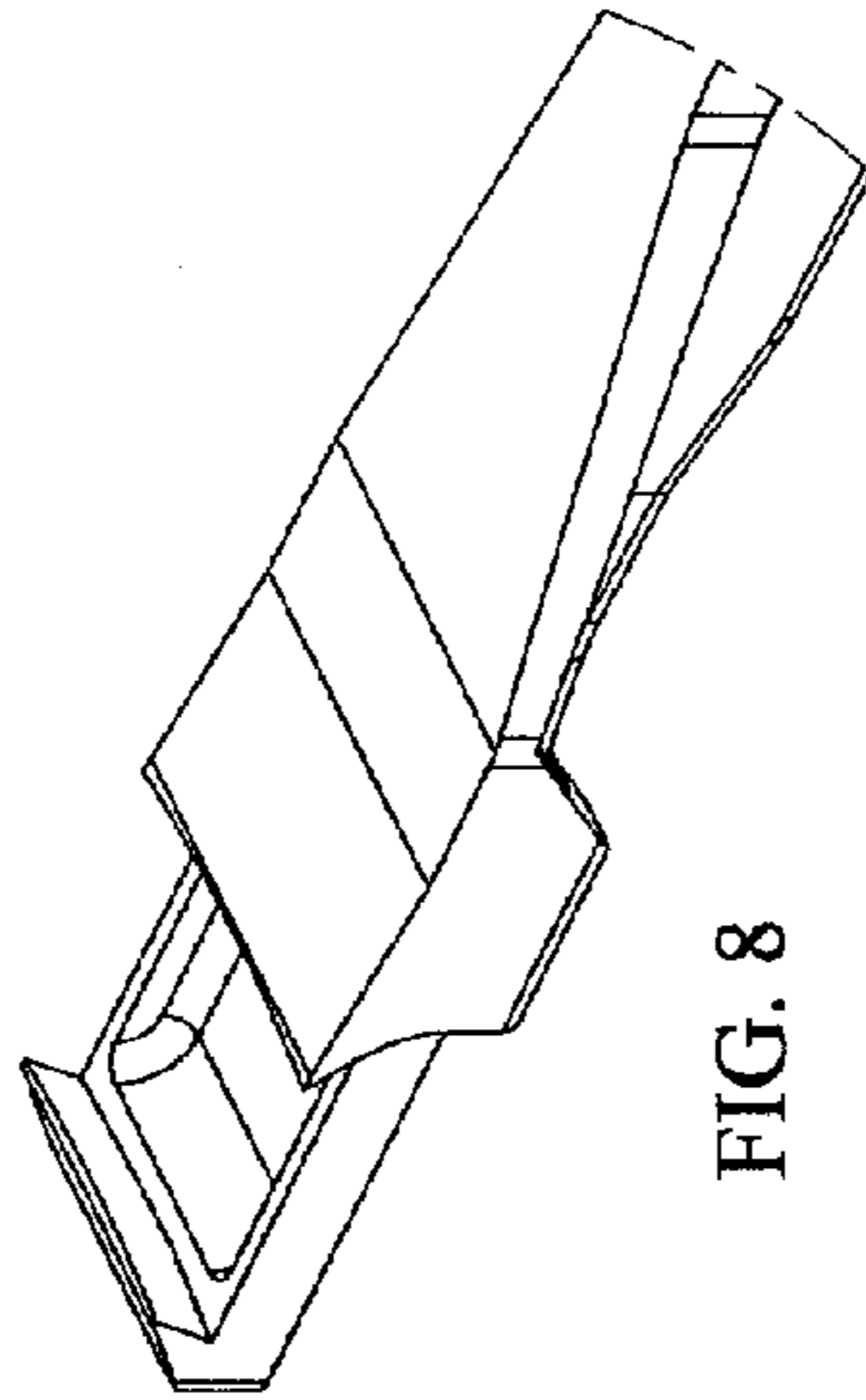


FIG. 8

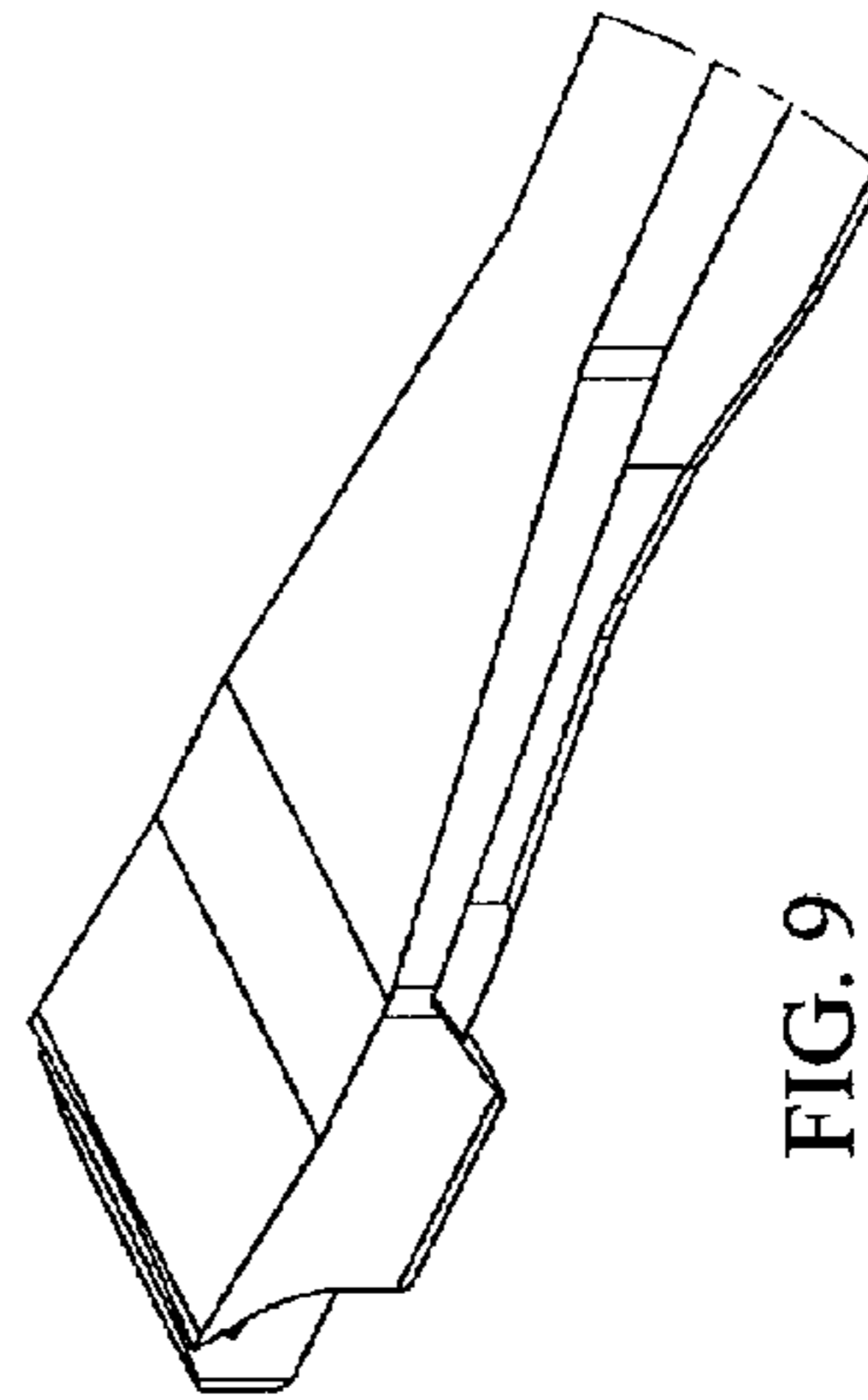


FIG. 9

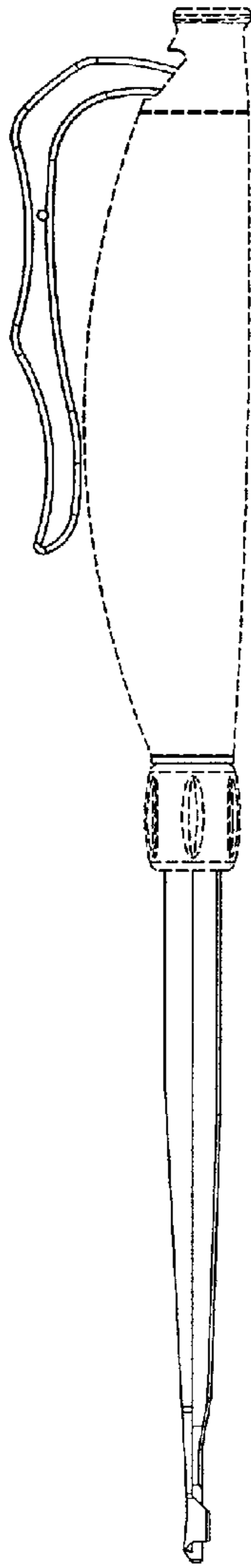


FIG. 2

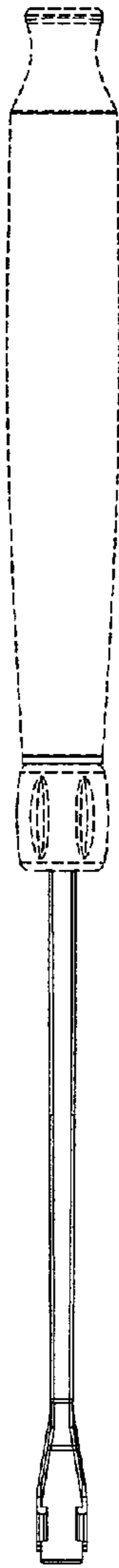


FIG. 3

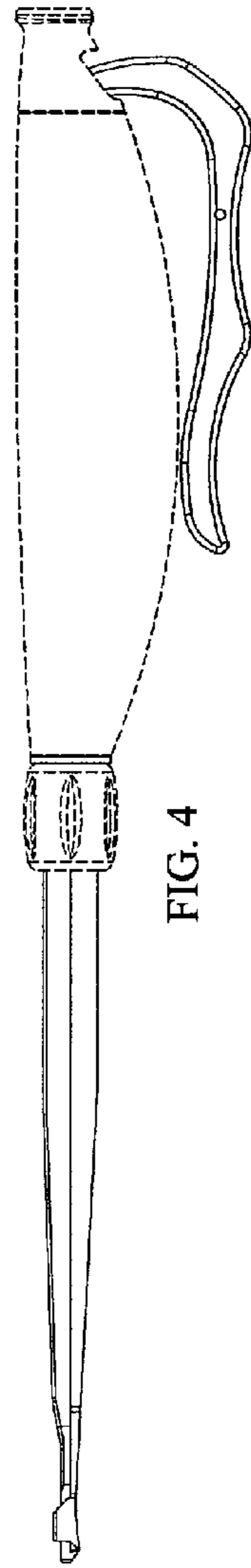


FIG. 4



FIG. 5

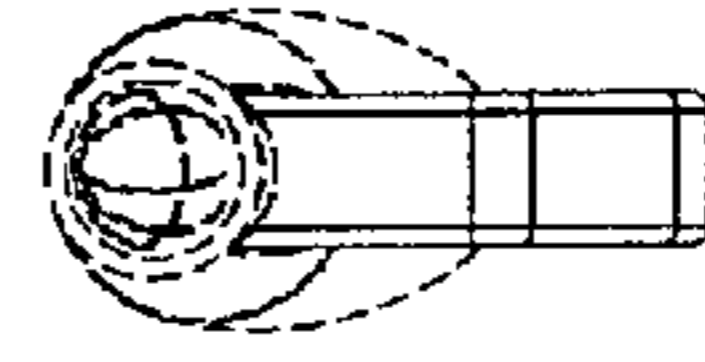


FIG. 7

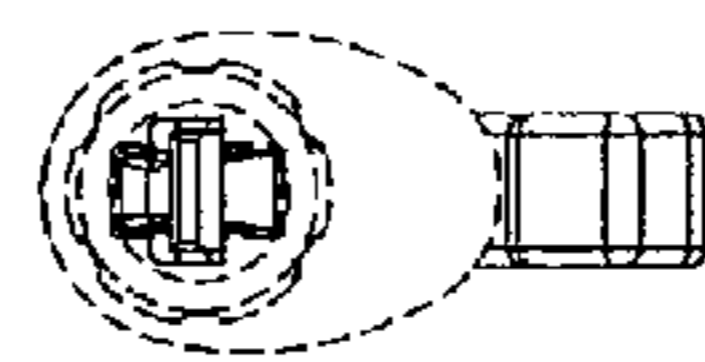


FIG. 6