

US00D624183S

(12) **United States Design Patent**
Eliachar et al.

(10) **Patent No.:** **US D624,183 S**

(45) **Date of Patent:** **** *Sep. 21, 2010**

(54) **RESECTING LOOP FOR RESECTOSCOPE**

(75) Inventors: **Eli Eliachar**, Haifa (IL); **Ofer Yossepowitch**, Petach Tikva (IL); **Nir Lilach**, Kfar Yehoshua (IL)

(73) Assignee: **Roei Medical Technologies Ltd**, Kibbutz Bet Alfa (IL)

(**) Term: **14 Years**

(21) Appl. No.: **29/224,000**

(22) Filed: **Feb. 24, 2005**

(30) **Foreign Application Priority Data**

Jan. 2, 2005 (IL) 40137

(51) **LOC (9) Cl.** **24-02**

(52) **U.S. Cl.** **D24/144; D24/146; D24/147**

(58) **Field of Classification Search** D24/144,
D24/146; 606/45, 46, 47, 171, 167, 170,
606/169, 41; 600/104, 106

See application file for complete search history.

(56) **References Cited**

U.S. PATENT DOCUMENTS

3,149,633 A * 9/1964 Zingale 606/46

3,942,530 A * 3/1976 Northeved 606/46
D385,351 S * 10/1997 Manzie et al. D24/144
D401,338 S * 11/1998 Manzie D24/144
6,659,105 B2 * 12/2003 Burbank et al. 128/898
6,852,111 B1 * 2/2005 Lieber 606/47
7,300,447 B2 * 11/2007 Eliachar et al. 606/170
7,488,319 B2 * 2/2009 Yates 606/41
2008/0249552 A1 * 10/2008 Eliachar et al. 606/167

* cited by examiner

Primary Examiner—Ian Simmons

Assistant Examiner—Christopher Lee

(74) *Attorney, Agent, or Firm*—The Law Office of Michael E. Kondoudis

(57) **CLAIM**

We claim the ornamental design for a resecting loop for resectoscope, as shown and described.

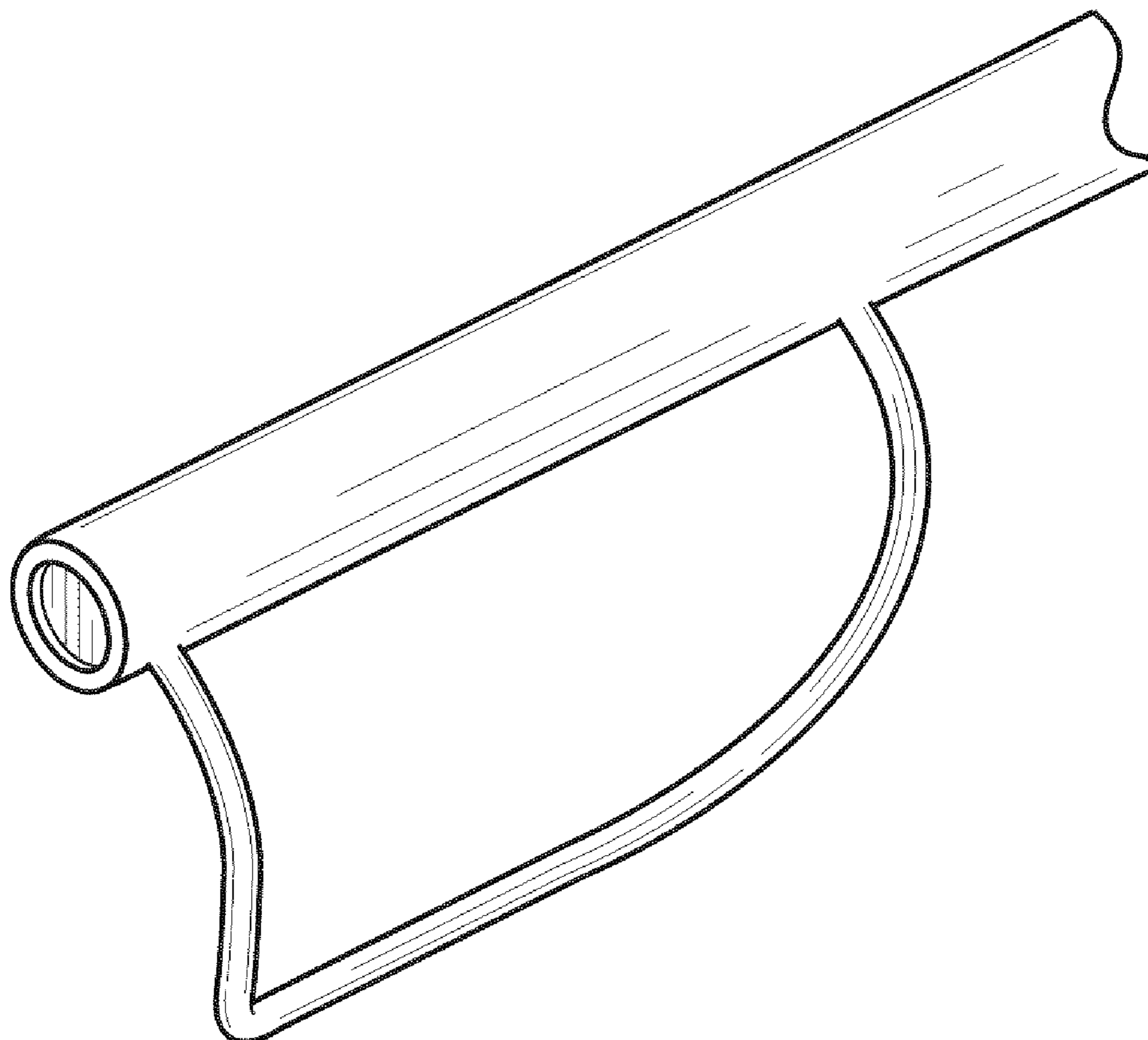
DESCRIPTION

FIG. 1 is a front perspective view of a resecting loop for resectoscope showing our new design;

FIG. 2 is a front elevational view thereof; and,

FIG. 3 is a side elevational view.

1 Claim, 2 Drawing Sheets



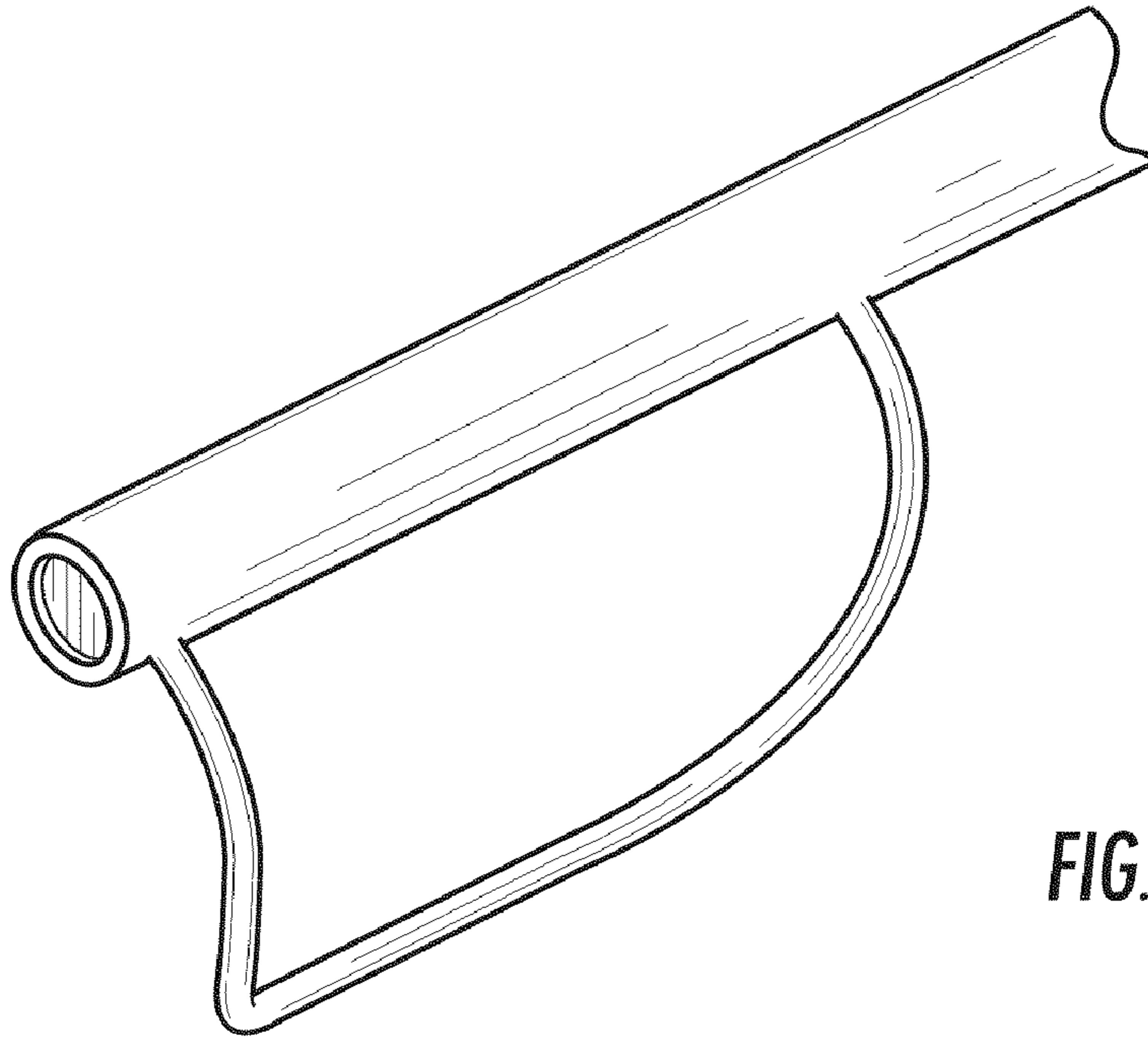


FIG. 1

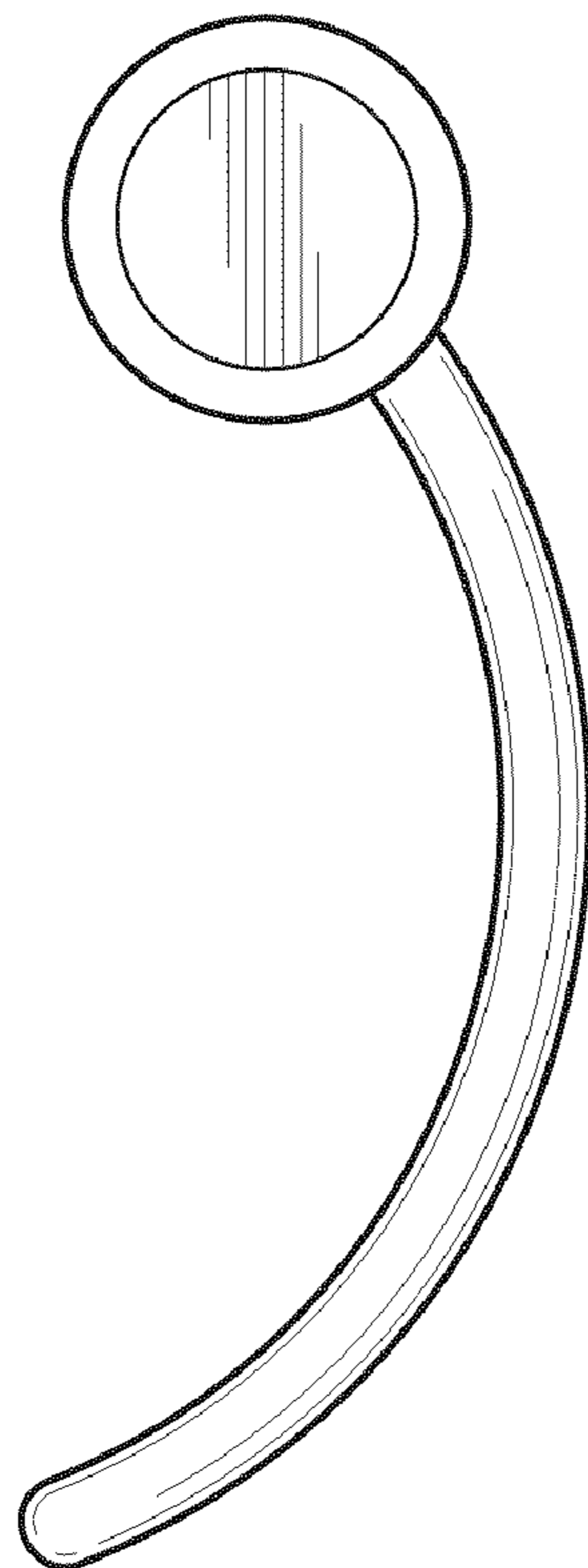


FIG. 2

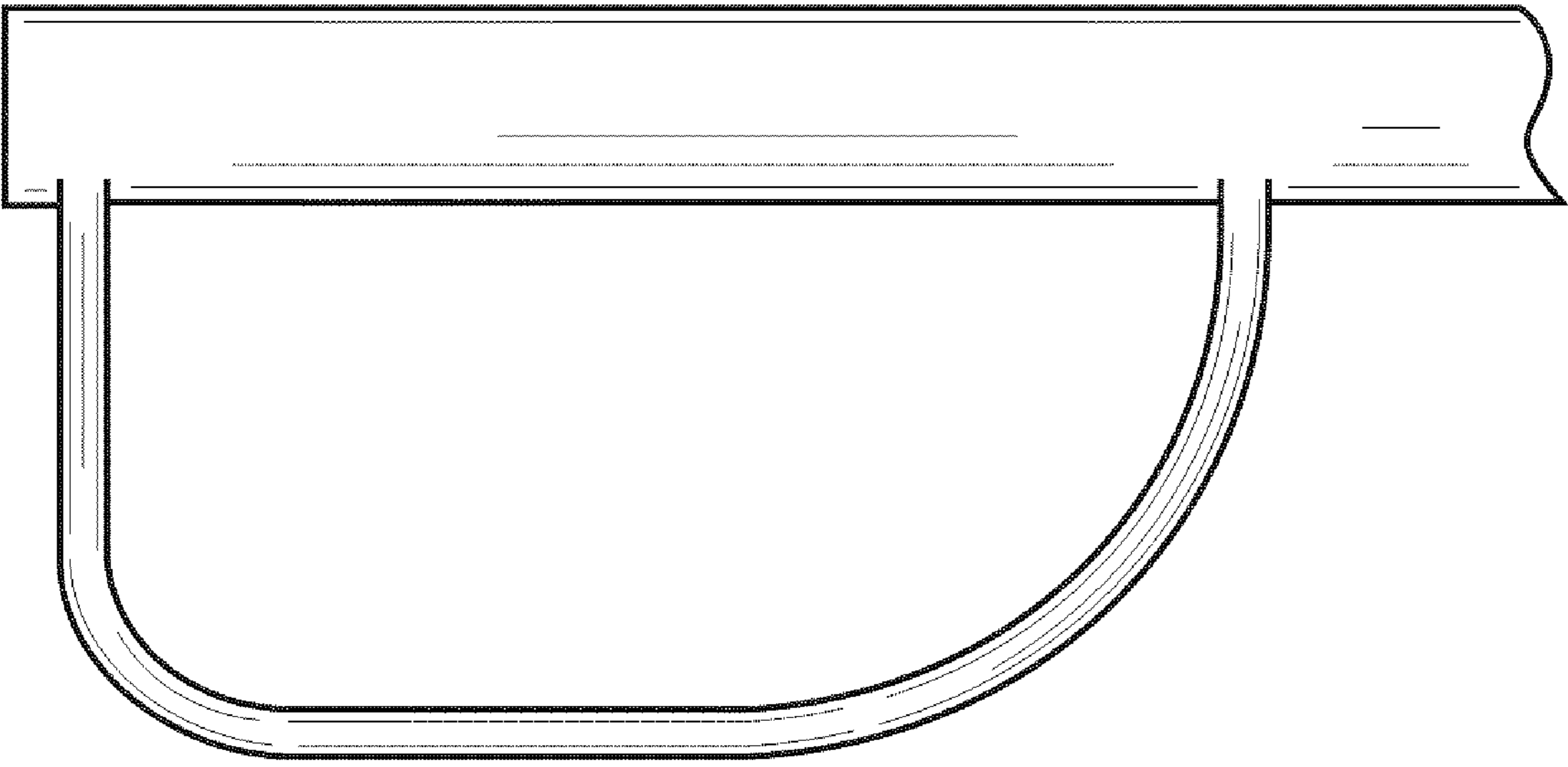


FIG. 3