



US00D624182S

(12) **United States Design Patent**
Thouement

(10) **Patent No.:** **US D624,182 S**
(45) **Date of Patent:** **** Sep. 21, 2010**

(54) **KIDNEY CLAMP**

(75) Inventor: **Yann Thouement**, Les essarts le roi
(FR)

(73) Assignee: **Karl Storz GmbH & Co. KG** (DE)

(**) Term: **14 Years**

(21) Appl. No.: **29/344,063**

(22) Filed: **Sep. 23, 2009**

(30) **Foreign Application Priority Data**

Mar. 23, 2009 (EM) 001110407-0003

(51) **LOC (9) Cl.** **24-02**

(52) **U.S. Cl.** **D24/143; D24/135**

(58) **Field of Classification Search** D24/133,
D24/134, 135, 136, 137, 138, 139, 140, 141,
D24/142, 143, 146, 150, 152, 144, 145, 147,
D24/148, 149, 151, 153, 154, 127, 128, 129,
D24/130, 107-108, 112, 111, 200; D23/233,
D23/235; D8/40, 47, 57, 60, 67, 68, 69,
D8/80, 82, 83, 84, 93, 94, 97, 107, 72, 73,
D8/74, 52, 56; 600/101, 104, 105, 106, 109,
600/112, 131, 135, 160, 162, 215, 431, 564,
600/568, 184, 220-223, 224, 225-227, 201-203,
600/210-218; 606/129, 186, 4, 5, 6, 7, 102,
606/86 A, 86 B, 119, 151, 157, 191-200;
81/9.22; 604/48

See application file for complete search history.

(56) **References Cited**

U.S. PATENT DOCUMENTS

D303,426 S * 9/1989 Simonian D24/147
5,304,188 A * 4/1994 Marogil 606/157
5,351,679 A * 10/1994 Mayzels et al. 600/214
5,366,460 A * 11/1994 Eberbach 606/151

5,916,150 A * 6/1999 Sillman 600/184
6,575,919 B1 * 6/2003 Reiley et al. 600/567
D482,787 S * 11/2003 Reiss D24/146
6,955,643 B2 * 10/2005 Gellman et al. 600/104
6,993,375 B2 * 1/2006 Burbank et al. 600/431
D576,728 S * 9/2008 Yates D24/144
7,507,200 B2 * 3/2009 Okada 600/104
2008/0147076 A1 * 6/2008 Geisert et al. 606/90
2008/0281364 A1 * 11/2008 Chirico et al. 606/86 A

FOREIGN PATENT DOCUMENTS

EM 001110407-0003 * 3/2009

* cited by examiner

Primary Examiner—Jeffrey D Asch

Assistant Examiner—Bridget L Eland

(74) *Attorney, Agent, or Firm*—St. Onge Steward Johnston &
Reens LLC

(57) **CLAIM**

The ornamental design for a kidney clamp, as shown and described.

DESCRIPTION

FIG. 1 is right side perspective view of a kidney clamp in accordance with the new design;

FIG. 2 is a right side elevation view thereof;

FIG. 3 is a left side elevation view thereof;

FIG. 4 is a top elevation view thereof;

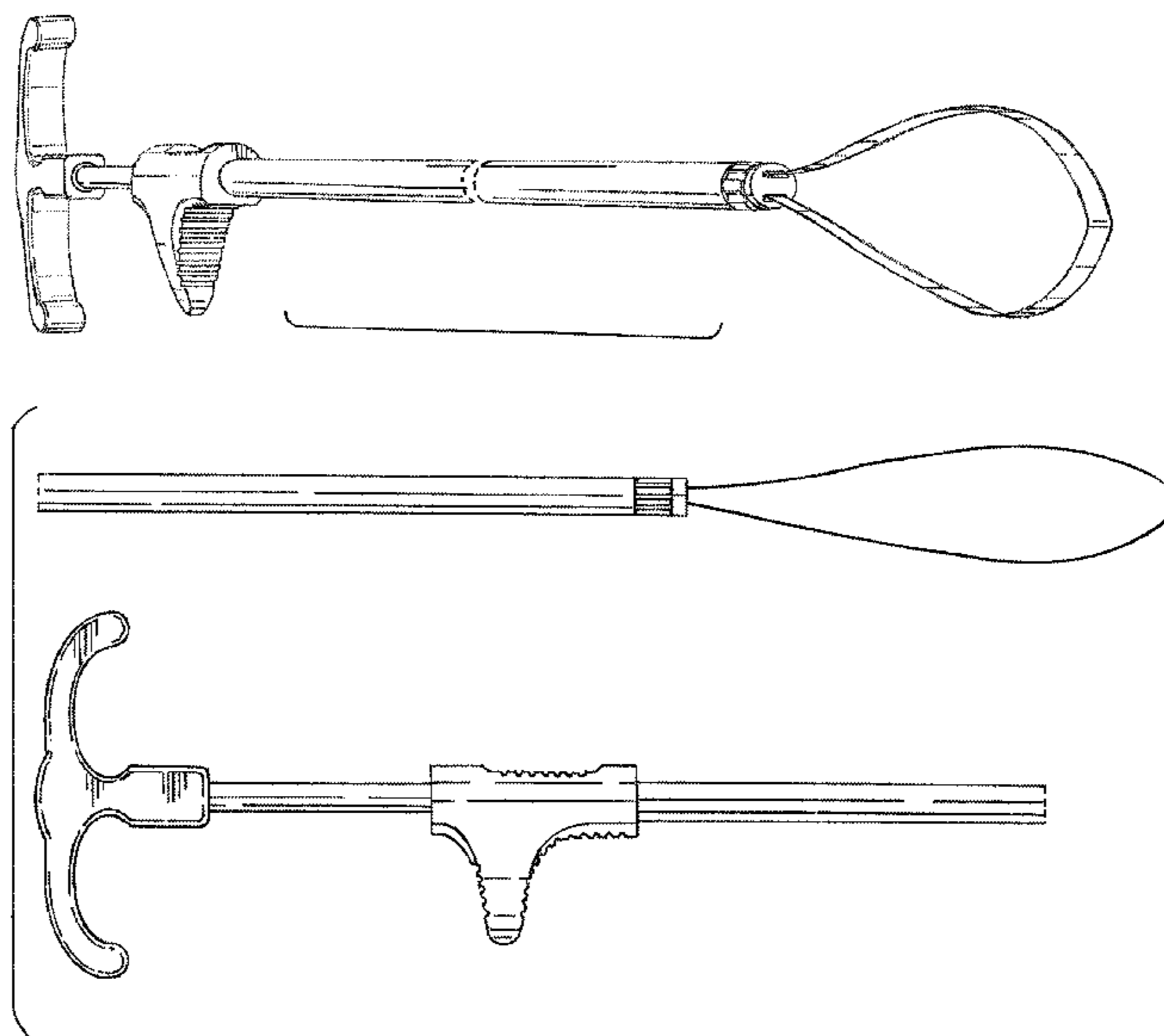
FIG. 5 is a bottom elevation view thereof;

FIG. 6 is a front elevation view thereof; and,

FIG. 7 is a rear elevation view thereof.

The broken lines in FIGS. 1-5 are included for the purpose of illustrating a break indicating a tubular detail of no particular length.

1 Claim, 6 Drawing Sheets



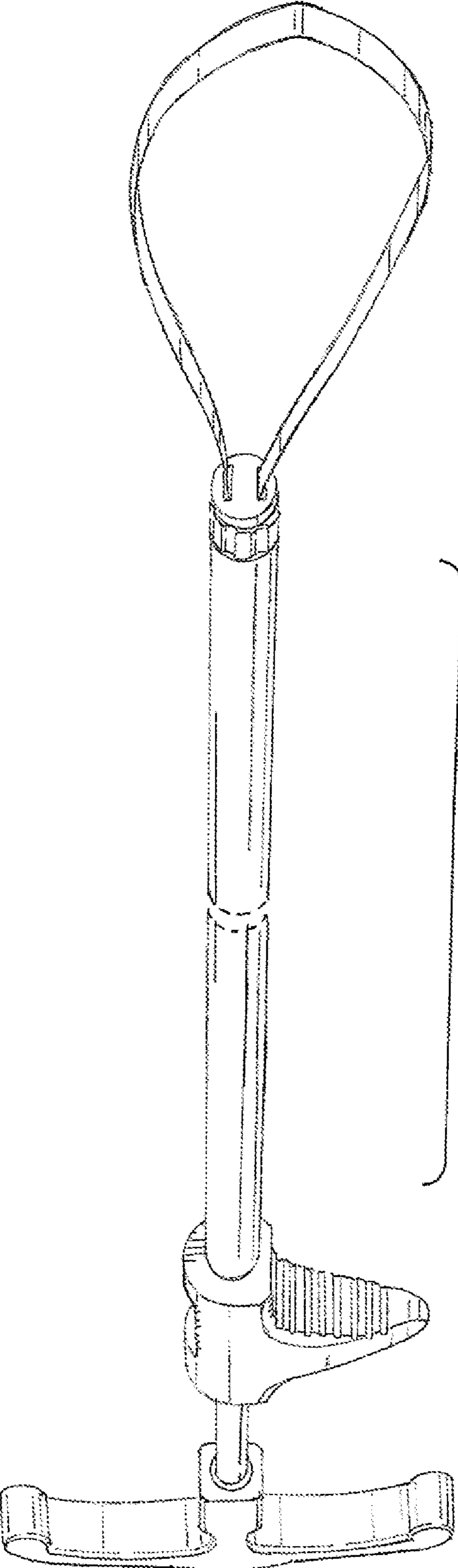


FIG. 1

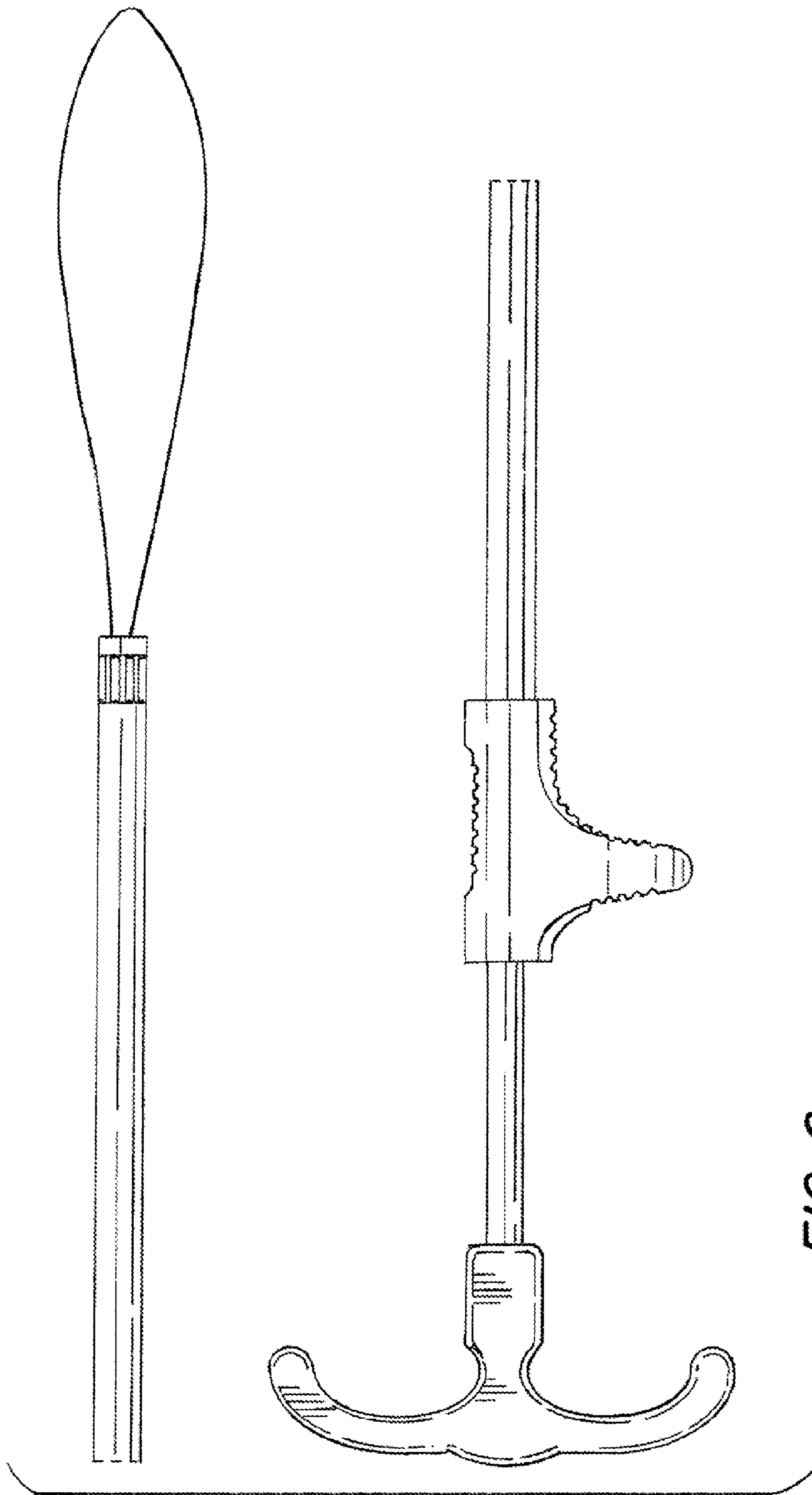


FIG. 2

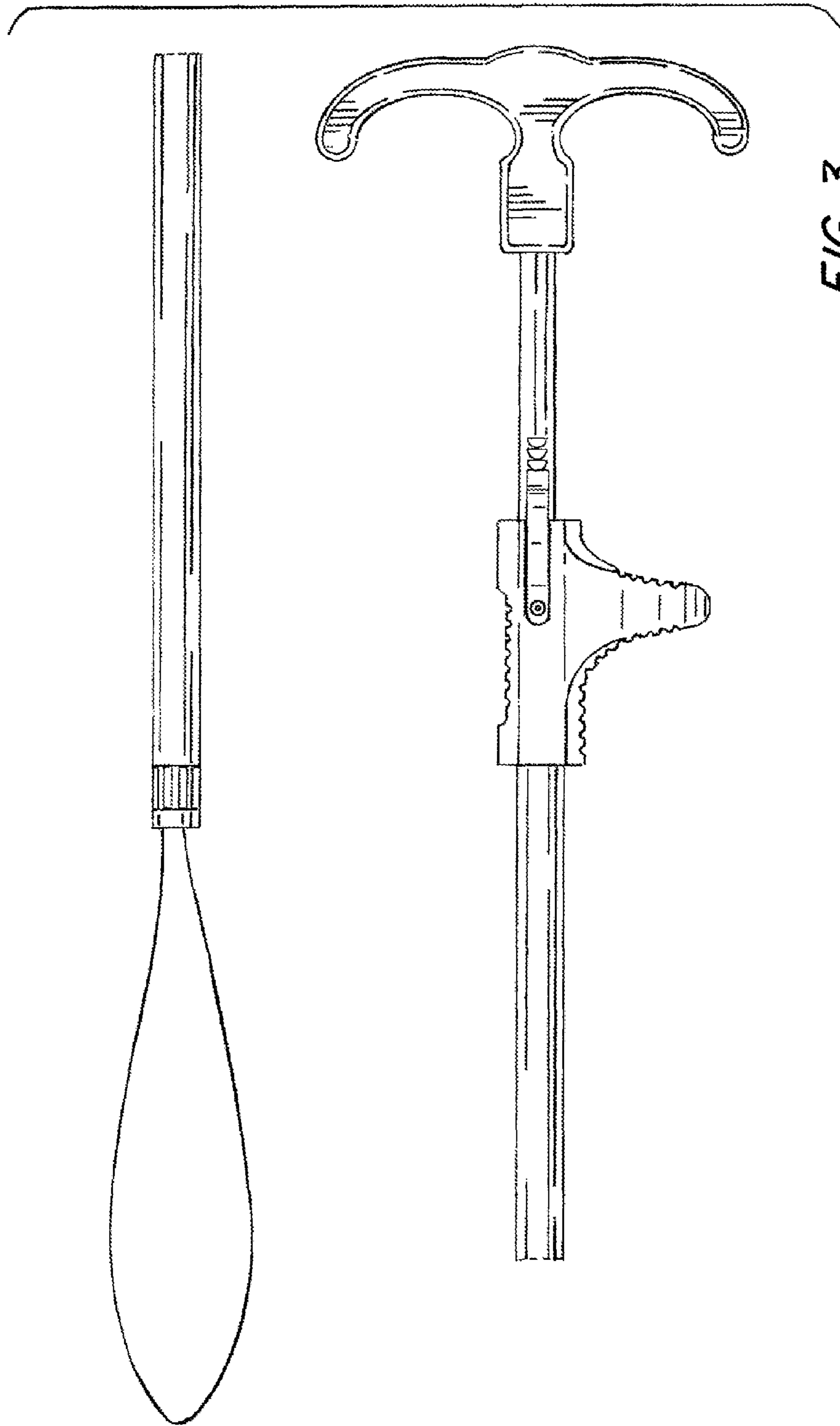


FIG. 3

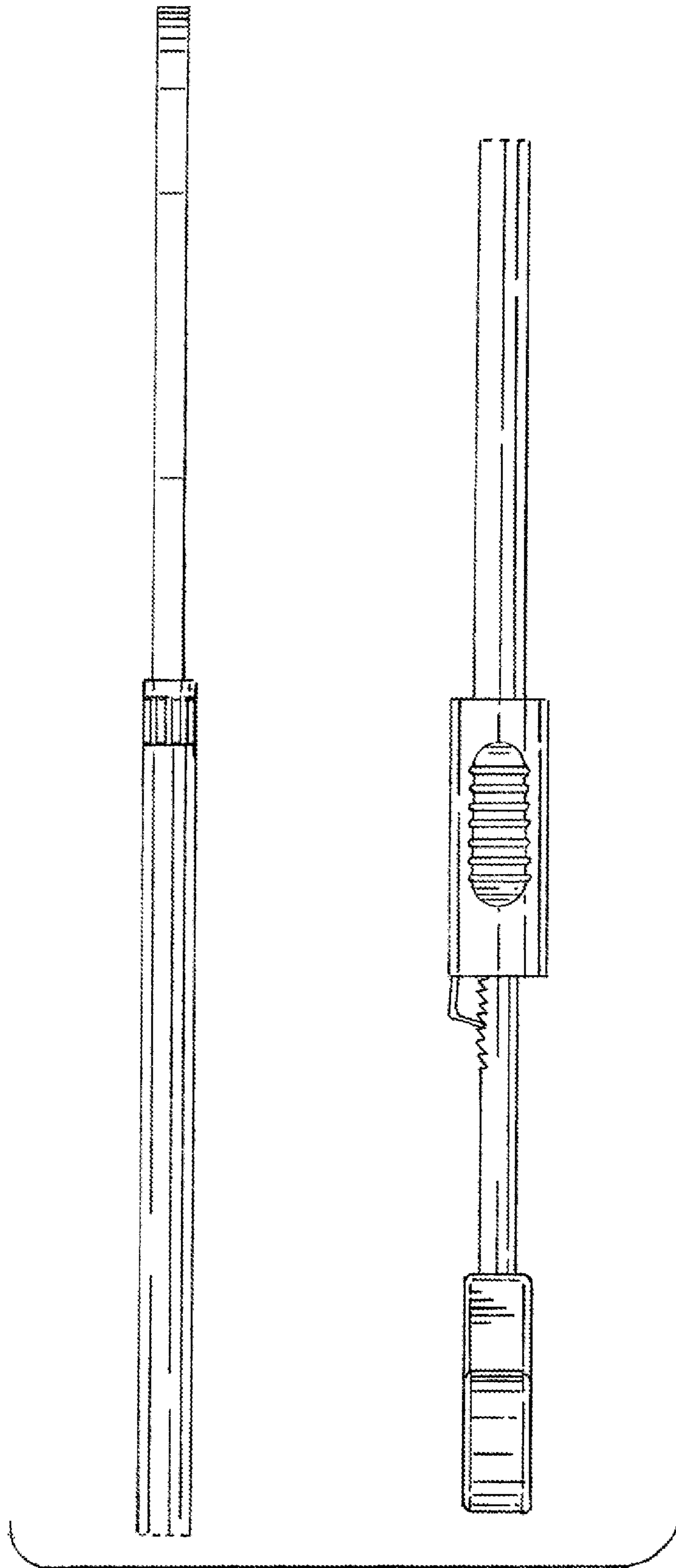


FIG. 4

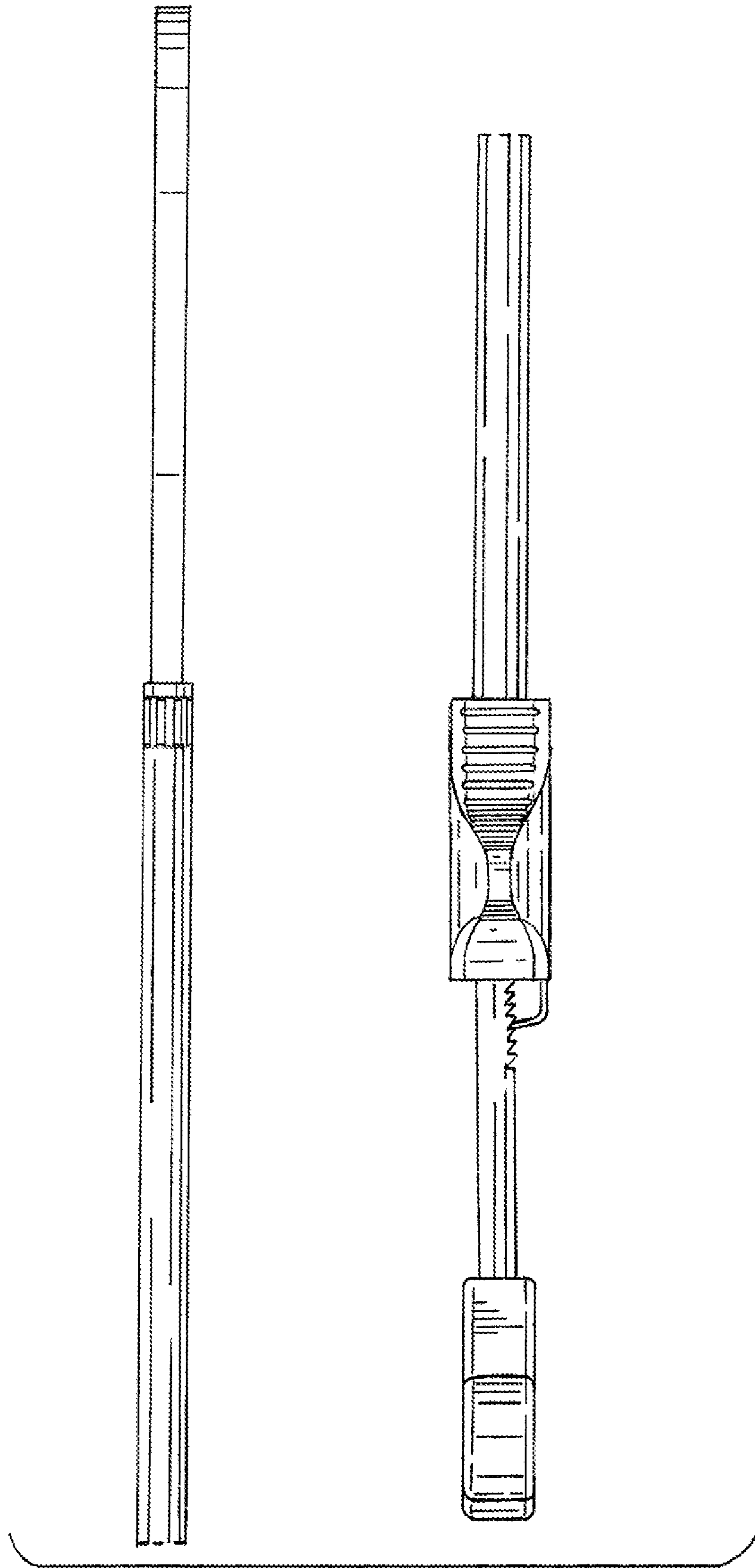


FIG. 5

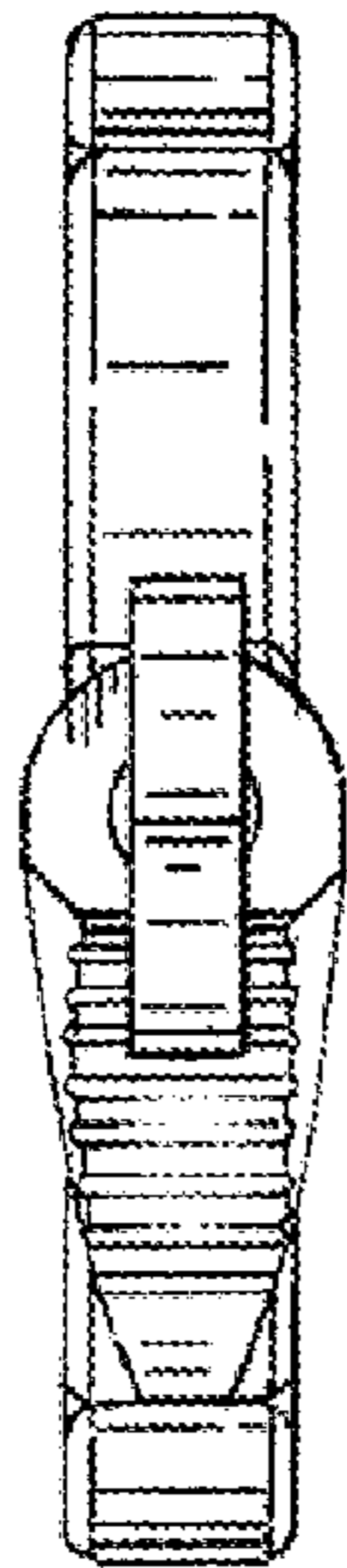


FIG. 6

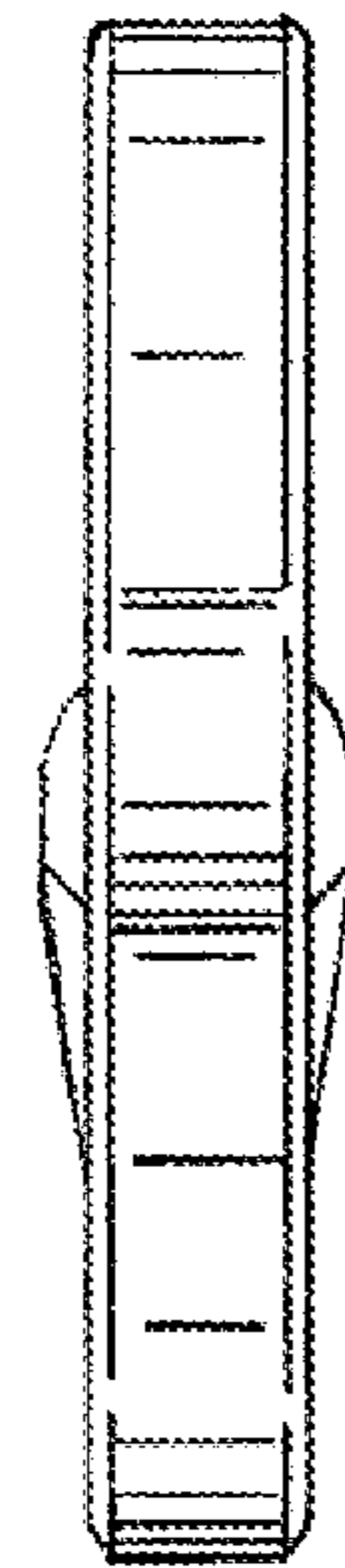


FIG. 7