

US00D624181S

(12) **United States Design Patent**
Harata et al.

(10) **Patent No.:** **US D624,181 S**
(45) **Date of Patent:** **** Sep. 21, 2010**

(54) **AIR-TIGHT VALVE FOR OVERTUBE**

D573,711 S * 7/2008 Johnson et al. D24/133
D594,530 S * 6/2009 Bonnell D23/233
D599,434 S * 9/2009 Stenberg D23/233

(75) Inventors: **Shinetsu Harata**, Akita (JP); **Yoshiki Toyota**, Akita (JP)

(73) Assignee: **Sumitomo Bakelite Company, Ltd.**, Tokyo (JP)

(Continued)

FOREIGN PATENT DOCUMENTS

(**) Term: **14 Years**

EM 001155519-0004 * 7/2009

(21) Appl. No.: **29/344,214**

(22) Filed: **Sep. 25, 2009**

Primary Examiner—Bridget L Eland
(74) *Attorney, Agent, or Firm*—Smith, Gambrell & Russell, LLP

(51) **LOC (9) Cl.** **24-02**

(52) **U.S. Cl.** **D24/129; D24/138; D24/140**

(58) **Field of Classification Search** D24/133, D24/134, 135, 136, 137, 138, 139, 140, 141, D24/142, 143, 146, 150, 152, 144, 145, 147, D24/148, 149, 151, 153, 154, 127, 128, 129, D24/130, 107–108, 112, 111, 200; D27/100, D27/101, 170, 183; D23/233, 235; D8/40, D8/47, 57, 60, 67, 68, 69, 80, 82, 83, 84, D8/93, 94, 97, 107; 600/184, 220–223, 224, 600/225–227, 201–203, 210–218; 606/7, 606/86 A, 86 B, 119, 129, 186; 81/9.22; 604/48

See application file for complete search history.

(57) **CLAIM**

The ornamental design for air-tight valve for overtube, as shown and described.

DESCRIPTION

FIG. 1 is a perspective view of an air-tight valve for overtube according to my new design;

FIG. 2 is a front view thereof;

FIG. 3 is a back view thereof;

FIG. 4 is a top plan view thereof, the bottom view is a mirror image;

FIG. 5 is a left side view thereof, the right side is a mirror image;

FIG. 6 is a cross-sectional view thereof, taken along the line A—A in FIG. 2;

FIG. 7 is a cross-sectional view thereof, taken along the lines B—B in FIG. 2; and,

FIG. 8 is another perspective view thereof, shown in a state of use.

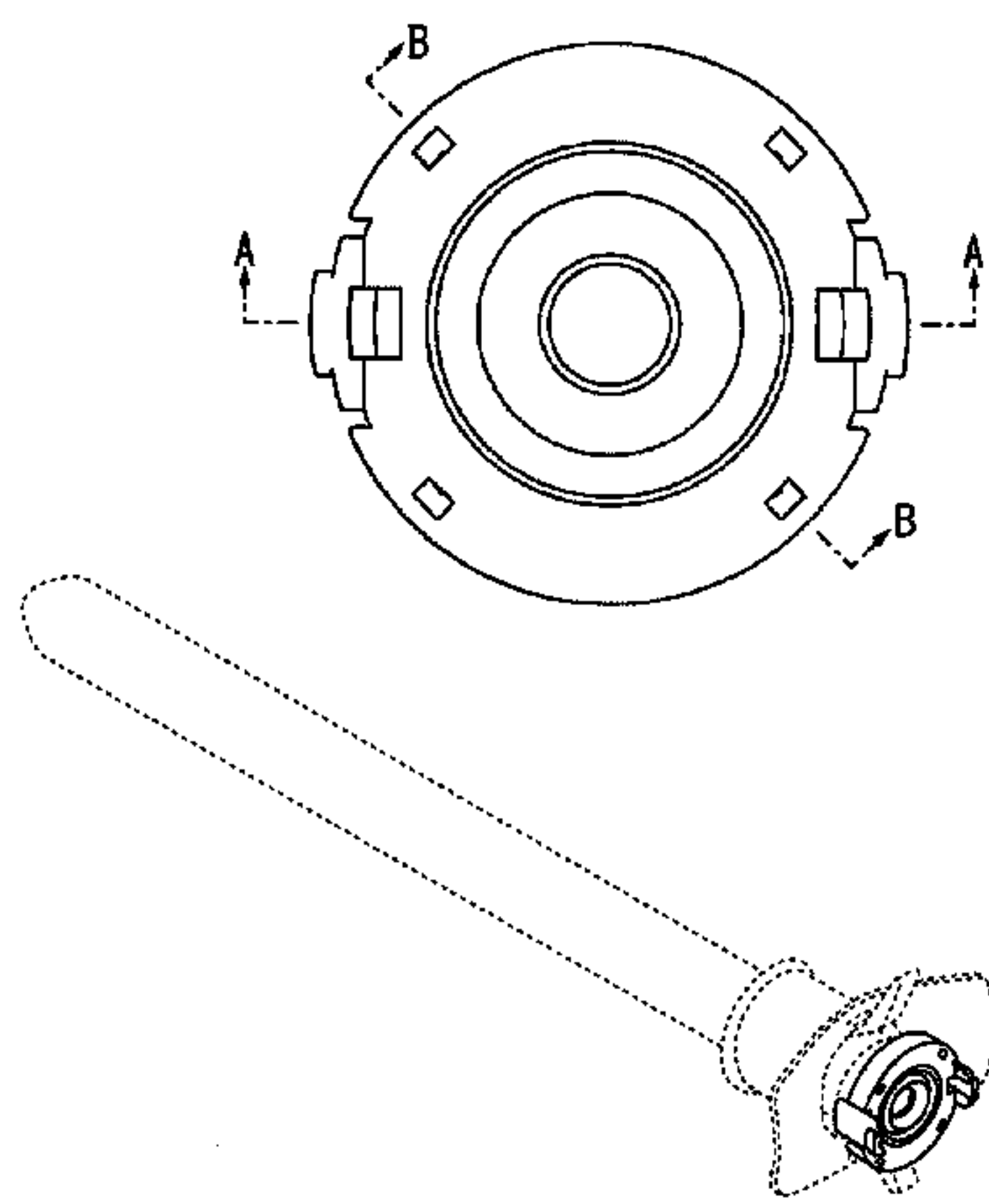
The broken line showing of the overtube in the FIG. 8 view is directed to environment and is for illustrative purposes only; the broken lines form no part of the claimed design.

(56) **References Cited**

U.S. PATENT DOCUMENTS

D196,723	S	*	10/1963	Davis, Jr.	D24/129
D196,724	S	*	10/1963	Davis, Jr.	D24/129
D248,170	S	*	6/1978	Steigerwald	D24/110.6
D268,048	S	*	2/1983	Ueda	D23/248
D287,615	S	*	1/1987	Pritchitt	D23/248
D319,683	S	*	9/1991	Scaramucci	D23/237
D323,213	S	*	1/1992	Iacone	D24/129
D363,778	S	*	10/1995	Cane et al.	D24/172
5,645,075	A	*	7/1997	Palmer et al.	600/562
5,987,350	A	*	11/1999	Thurston	600/436
6,129,392	A	*	10/2000	Dittrich et al.	285/314
6,132,442	A	*	10/2000	Ferragamo et al.	606/151
6,616,594	B2	*	9/2003	Fontayne et al.	600/7
D569,685	S	*	5/2008	Liu	D7/398

1 Claim, 8 Drawing Sheets



US D624,181 S

Page 2

U.S. PATENT DOCUMENTS

7,694,812	B2 *	4/2010	Bammerlin et al.	206/368	2009/0076464	A1 *	3/2009	Gresham	604/264
2006/0004455	A1 *	1/2006	Leonard et al.	623/17.15	2009/0088768	A1 *	4/2009	Grant et al.	606/102
2007/0213691	A1 *	9/2007	Summerer et al.	606/1	2009/0270685	A1 *	10/2009	Moreno et al.	600/203
2007/0255096	A1 *	11/2007	Stefanchik et al.	600/106	2009/0306470	A1 *	12/2009	Karasawa et al.	600/103
					2010/0010294	A1 *	1/2010	Conlon et al.	600/104

* cited by examiner

FIG. 1

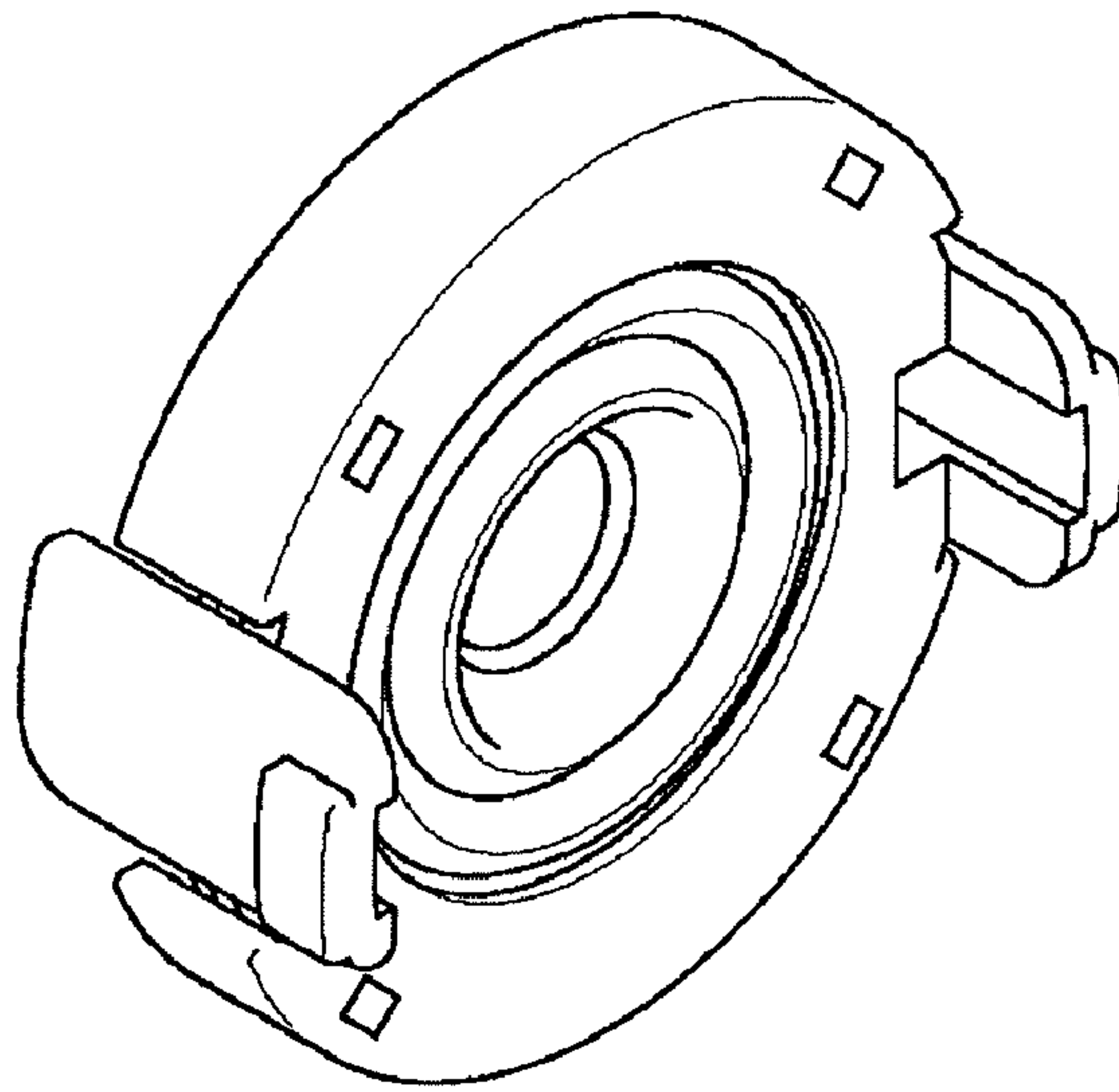


FIG. 2

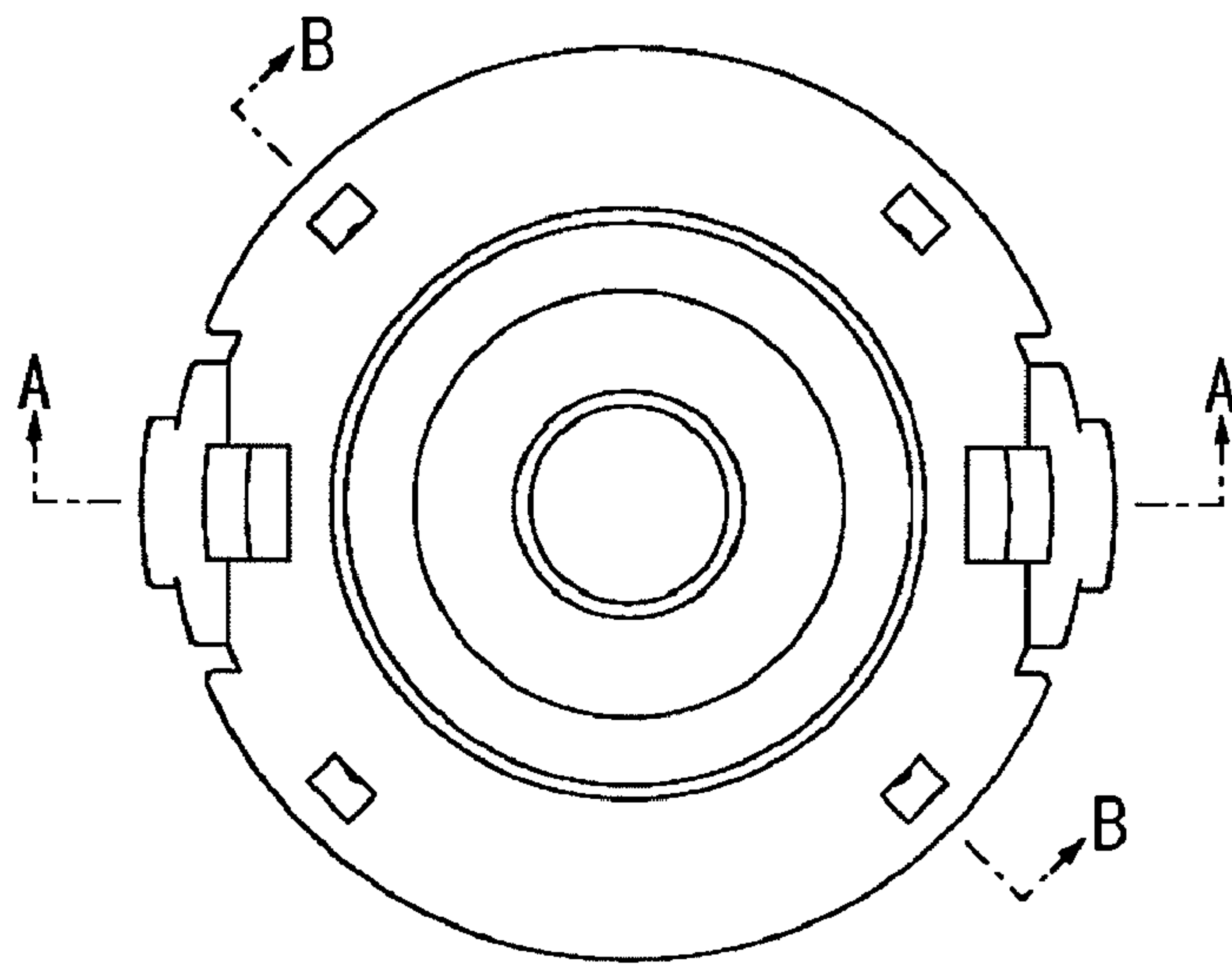


FIG. 3

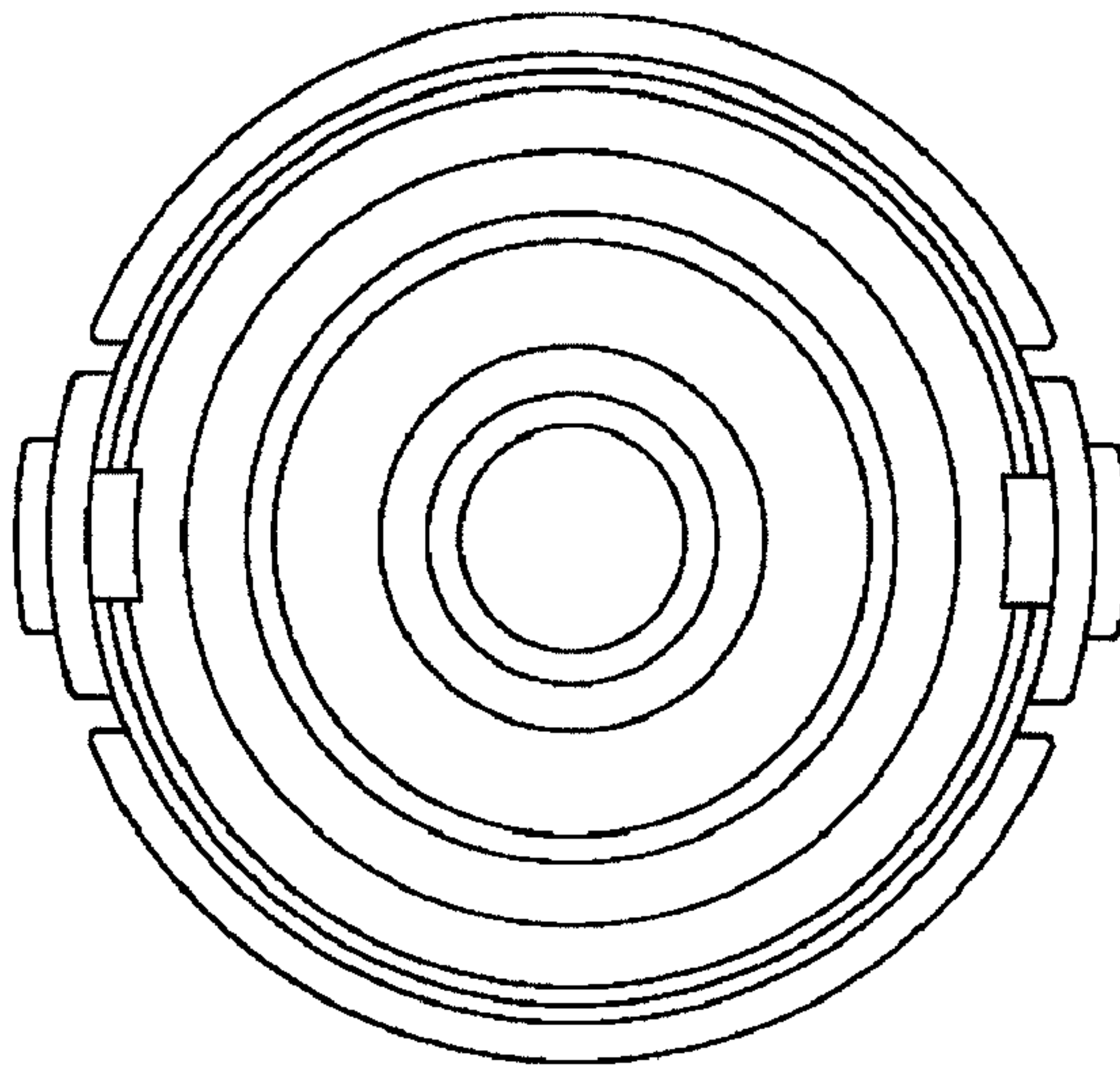


FIG. 4

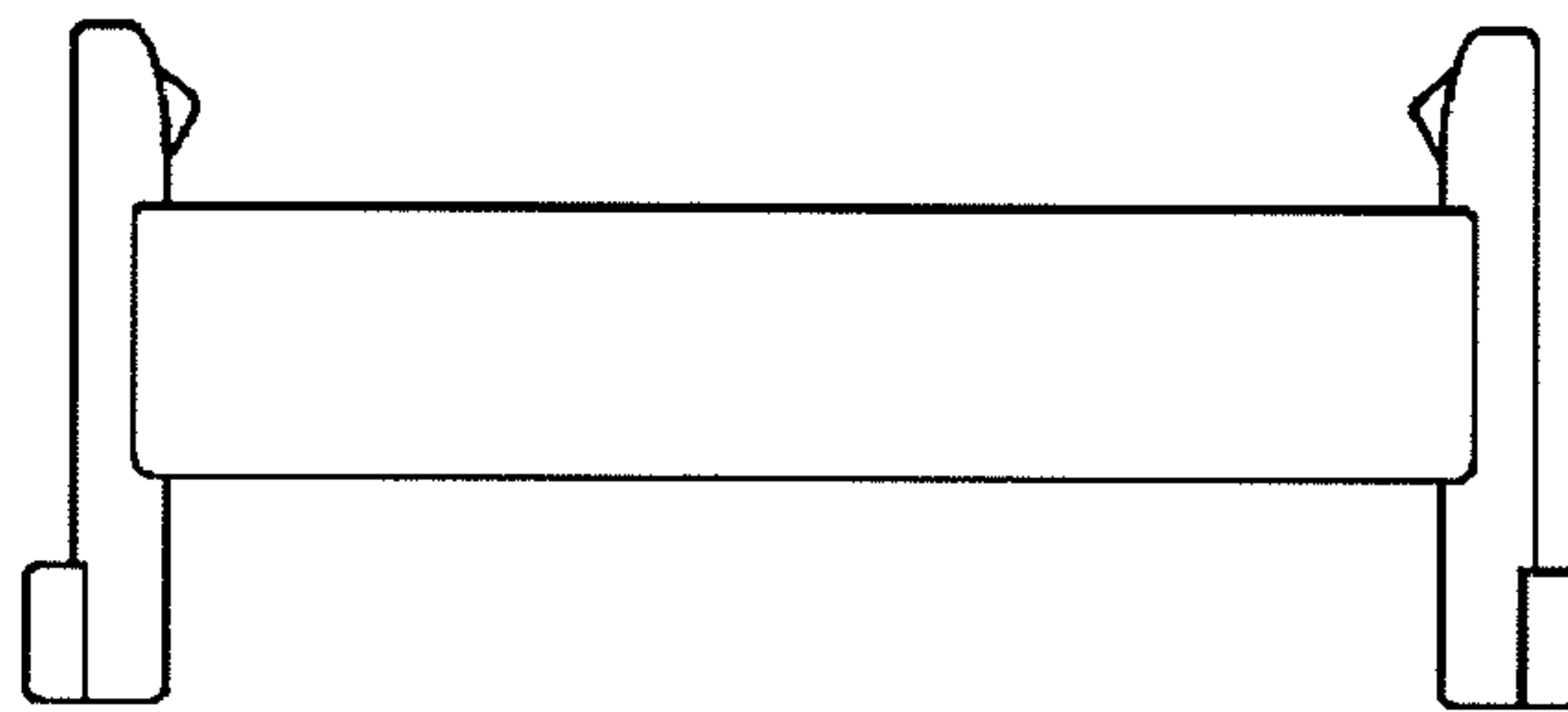


FIG. 5

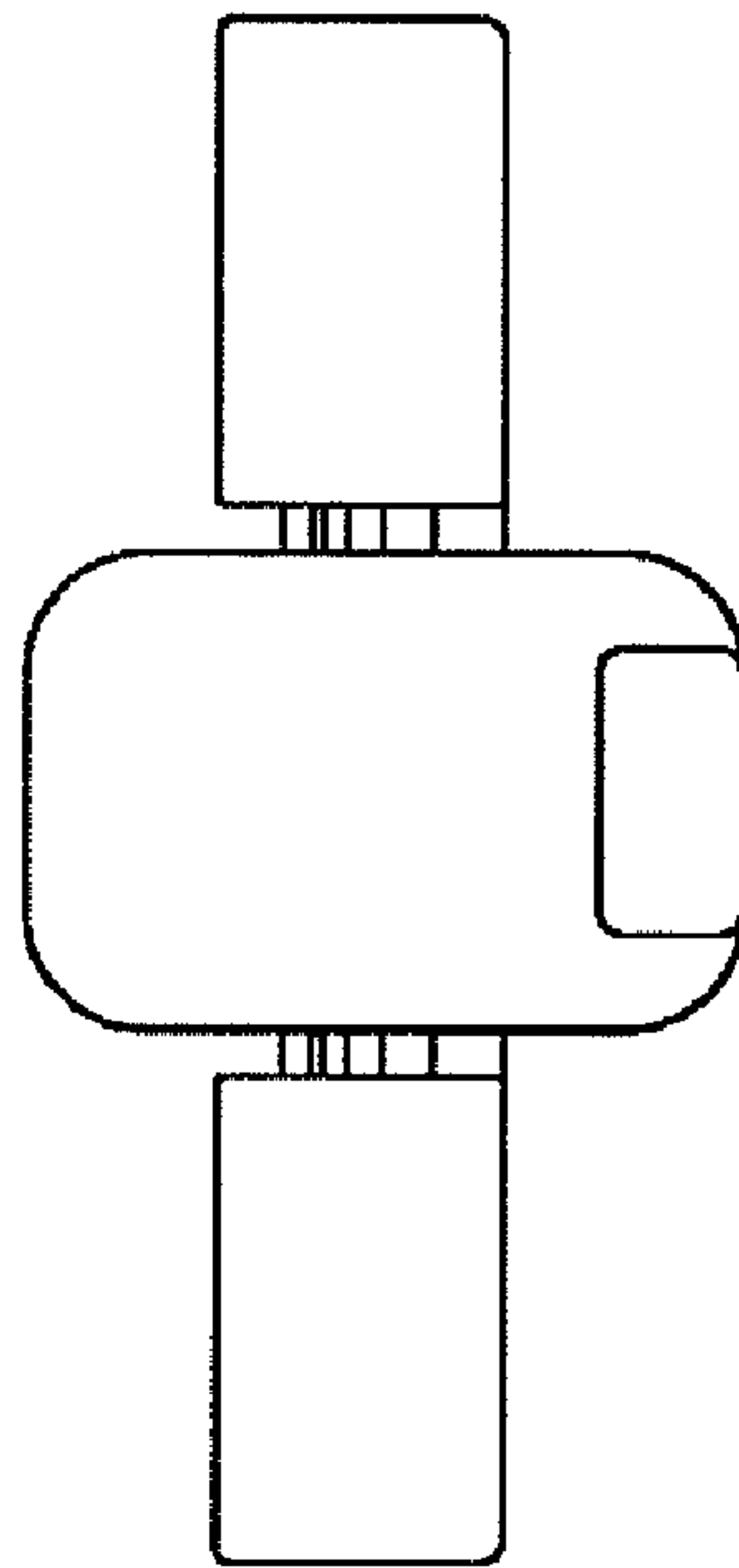


FIG. 6

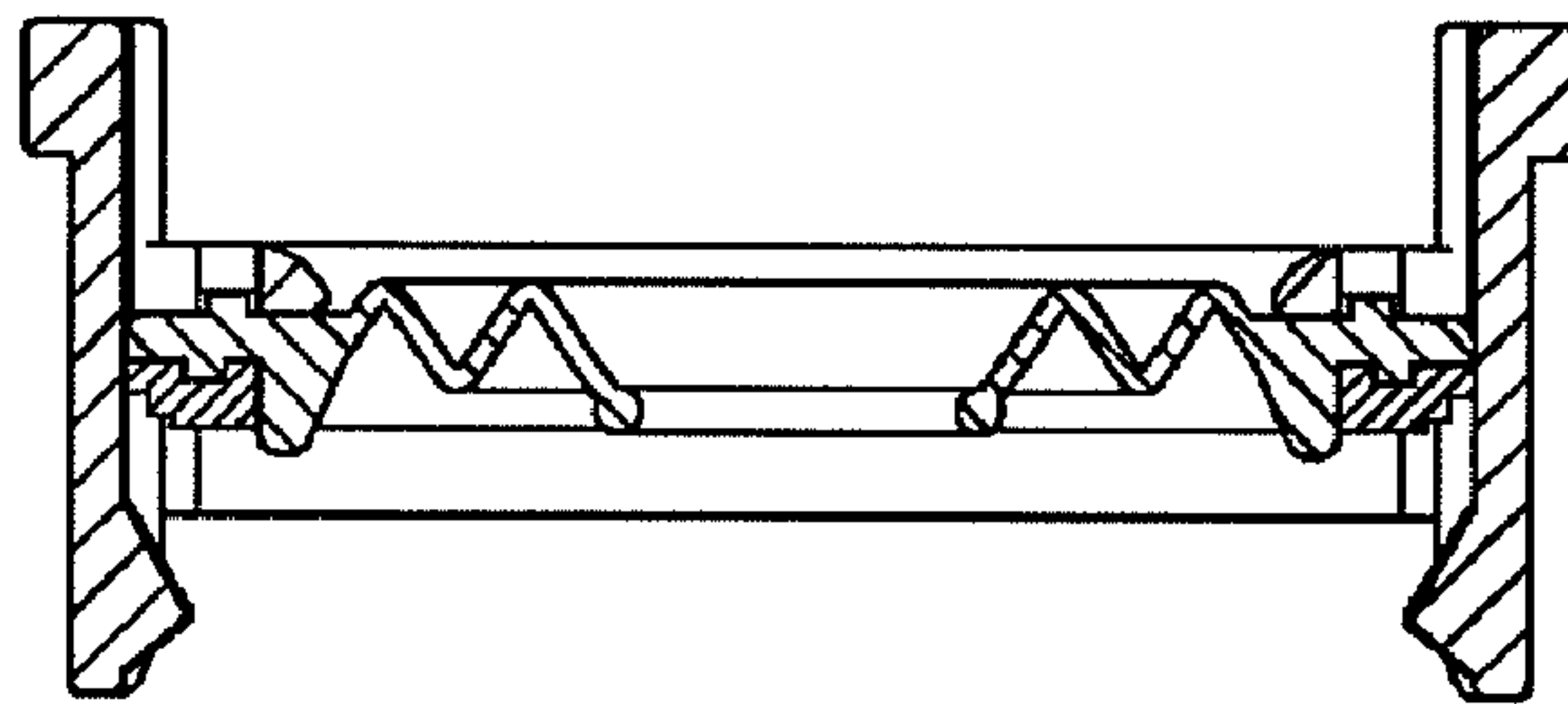
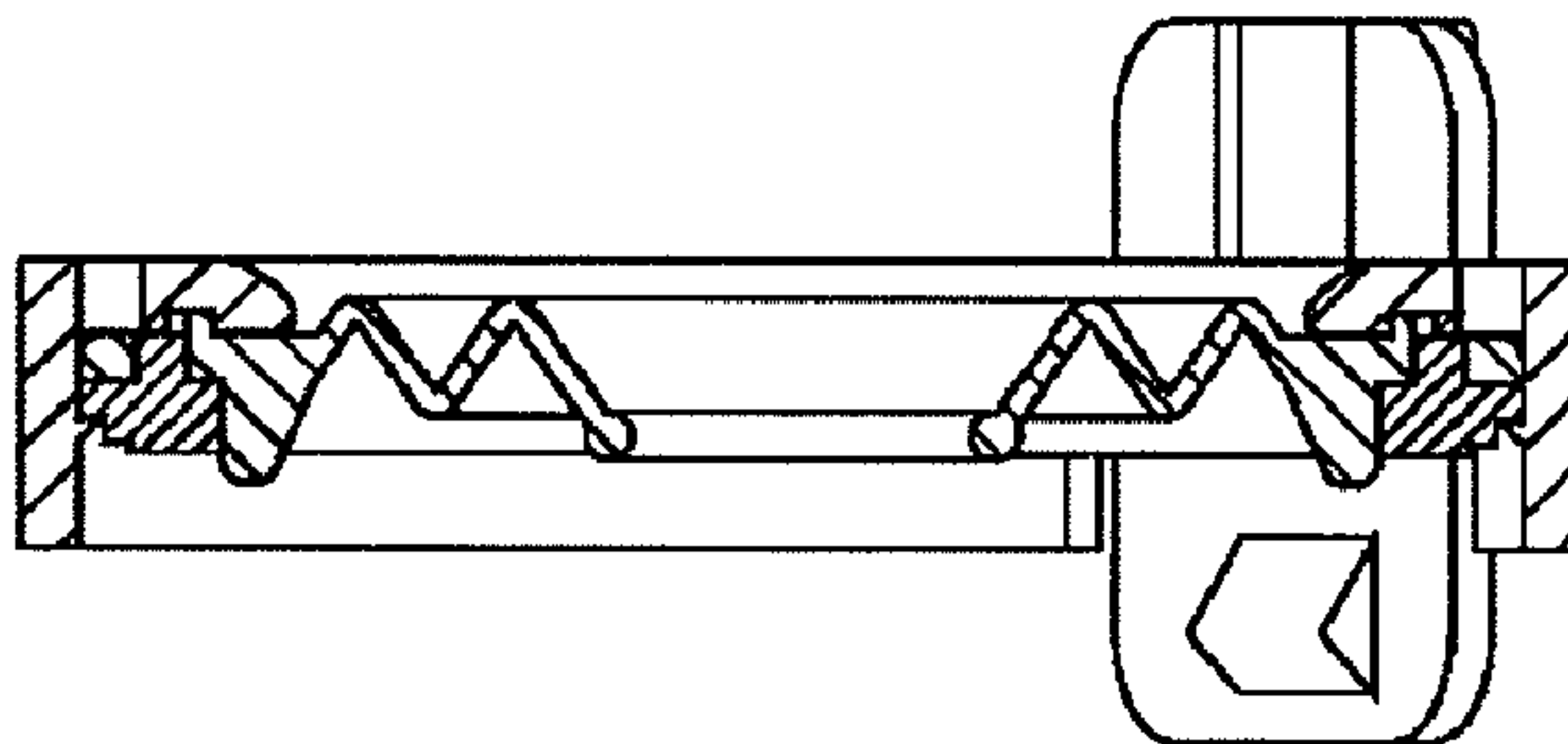


FIG. 7



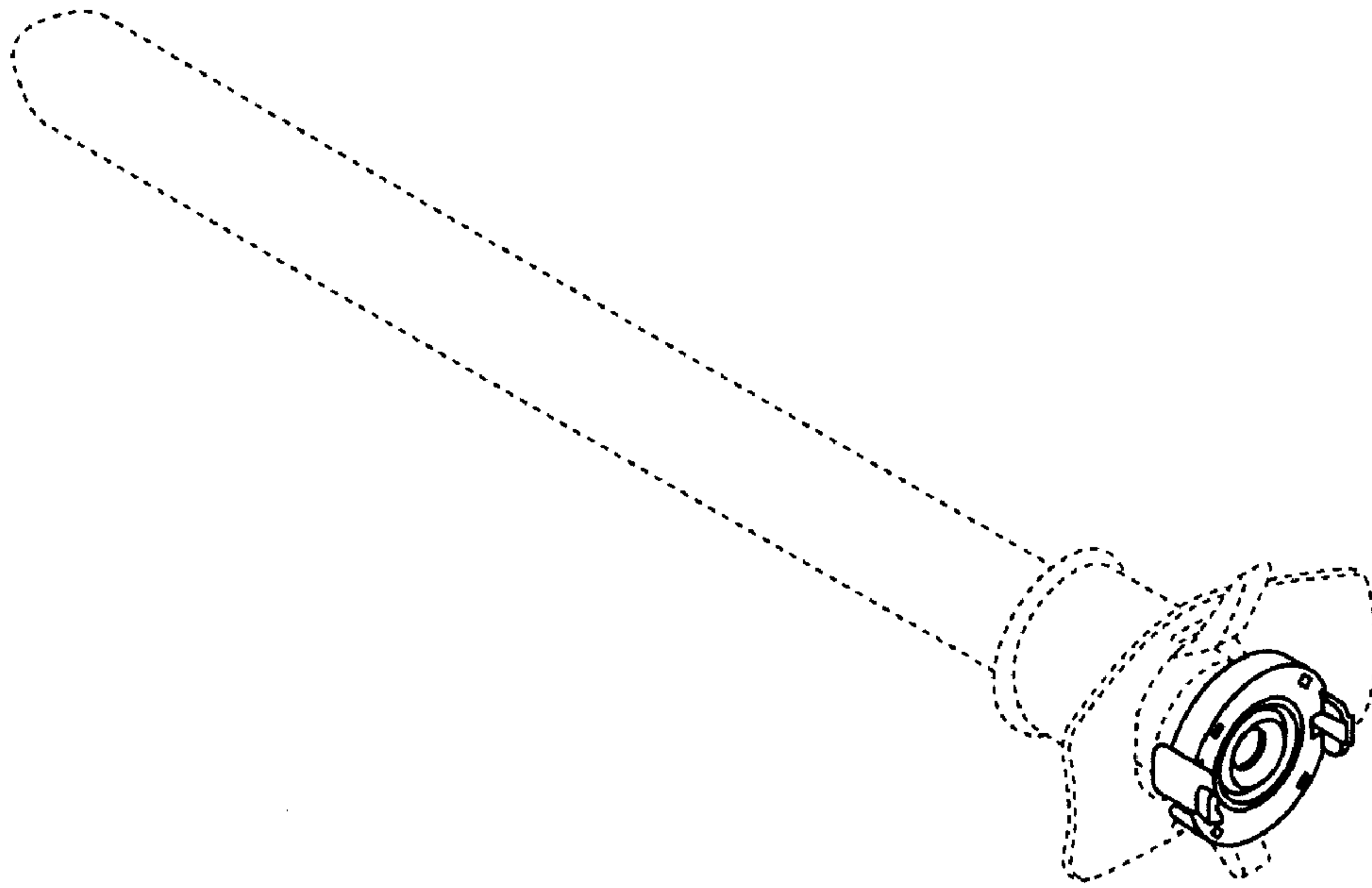


Fig. 8