



US00D624177S

(12) **United States Design Patent**  
**Pratt et al.**

(10) **Patent No.:** **US D624,177 S**

(45) **Date of Patent:** **\*\* Sep. 21, 2010**

(54) **REDUCED PRESSURE TREATMENT APPARATUS**

D567,651 S \* 4/2008 Bloc ..... D9/448  
D596,940 S \* 7/2009 Eigenstetter ..... D9/448

(75) Inventors: **Benjamin A. Pratt**, Poole (GB);  
**Richard Coulthard**, Verwood (GB);  
**Christopher B. Locke**, Bournemouth (GB)

OTHER PUBLICATIONS

Notice of Allowance date mailed Mar. 1, 2010 in U.S. Appl. No. 29/317,590.

\* cited by examiner

(73) Assignee: **KCI Licensing, Inc.**, San Antonio, TX (US)

*Primary Examiner*—Lisa P Lichtenstein

(\*\*) Term: **14 Years**

(57) **CLAIM**

(21) Appl. No.: **29/330,907**

The ornamental design for a reduced pressure treatment apparatus, as shown and described.

(22) Filed: **Jan. 15, 2009**

**DESCRIPTION**

**Related U.S. Application Data**

(63) Continuation-in-part of application No. 29/317,590, filed on May 2, 2008, now Pat. No. Des. 618,337.

FIG. 1 shows an isometric, first side view of a reduced pressure treatment apparatus according to an illustrative embodiment;

FIG. 2 shows an isometric, rear view of the reduced pressure treatment apparatus of FIG. 1;

(30) **Foreign Application Priority Data**

Nov. 3, 2008 (WO) ..... 466693301

FIG. 3 shows a front view of the reduced pressure treatment apparatus of FIG. 1;

FIG. 4 shows a rear view of the reduced pressure treatment apparatus of FIG. 1;

(51) **LOC (9) Cl.** ..... **24-02**

(52) **U.S. Cl.** ..... **D24/111**

(58) **Field of Classification Search** ..... D24/111;  
D9/448, 435, 454, 503, 530, 539, 542, 558;  
222/320

FIG. 5 shows the first side view of the reduced pressure treatment apparatus of FIG. 1;

FIG. 6 shows a second side view of the reduced pressure treatment apparatus of FIG. 1; and,

See application file for complete search history.

FIG. 7 shows a top view of the reduced pressure treatment apparatus of FIG. 1.

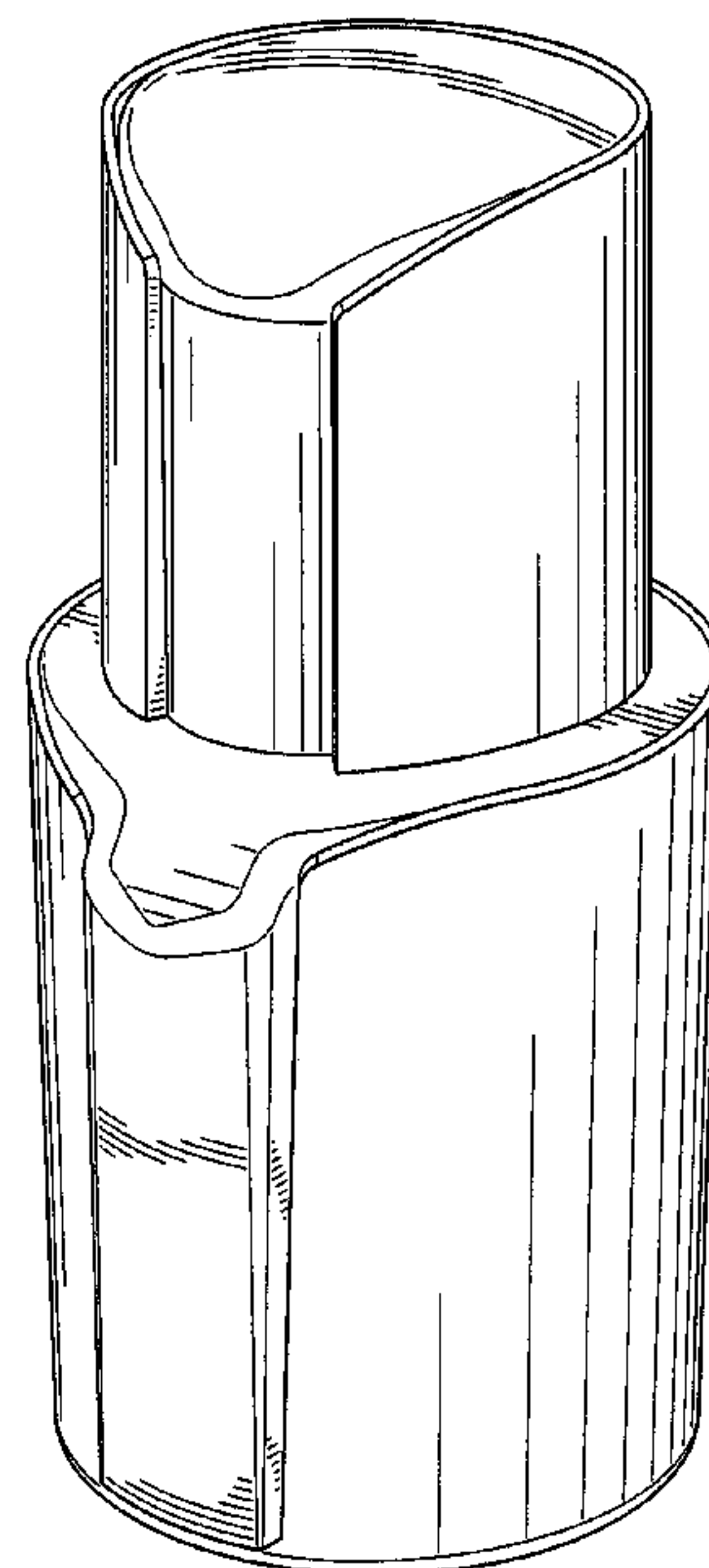
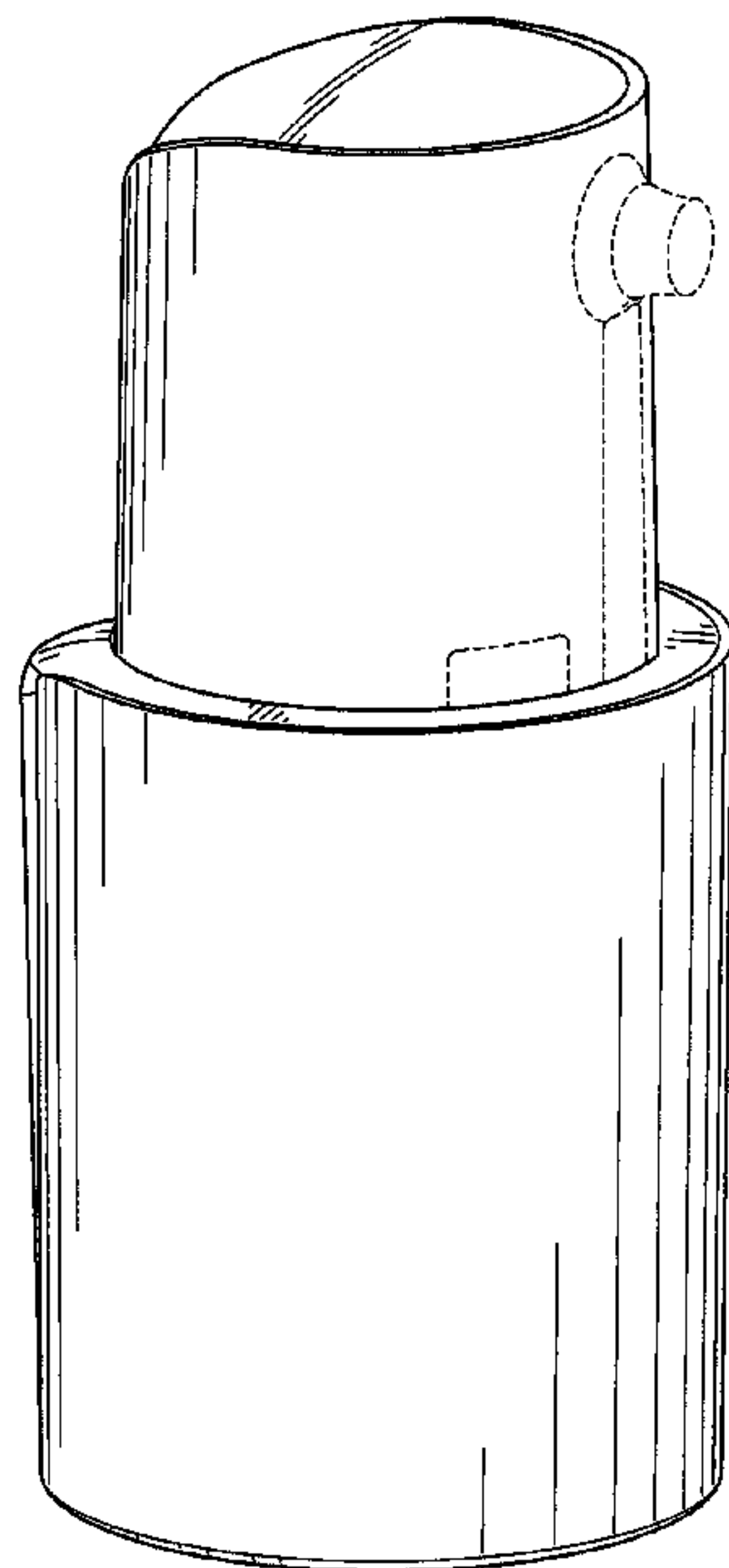
(56) **References Cited**

U.S. PATENT DOCUMENTS

5,669,530 A \* 9/1997 Cichon et al. .... 222/153.09  
D427,899 S \* 7/2000 Bougamont et al. .... D9/688  
D532,301 S \* 11/2006 Moretti ..... D9/448

The broken lines illustrated in the drawings are for illustrative purposes only and form no part of the claimed design.

**1 Claim, 7 Drawing Sheets**



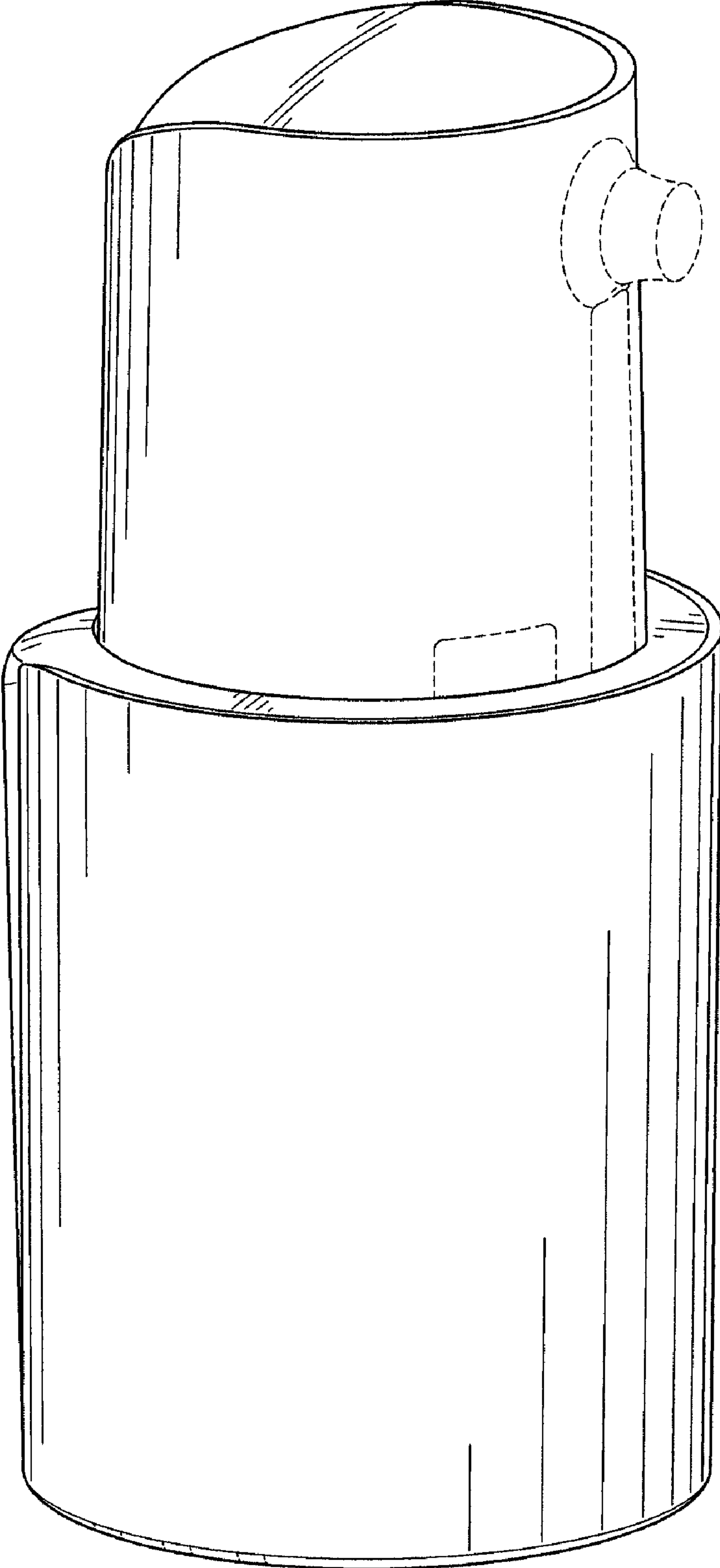


FIG. 1

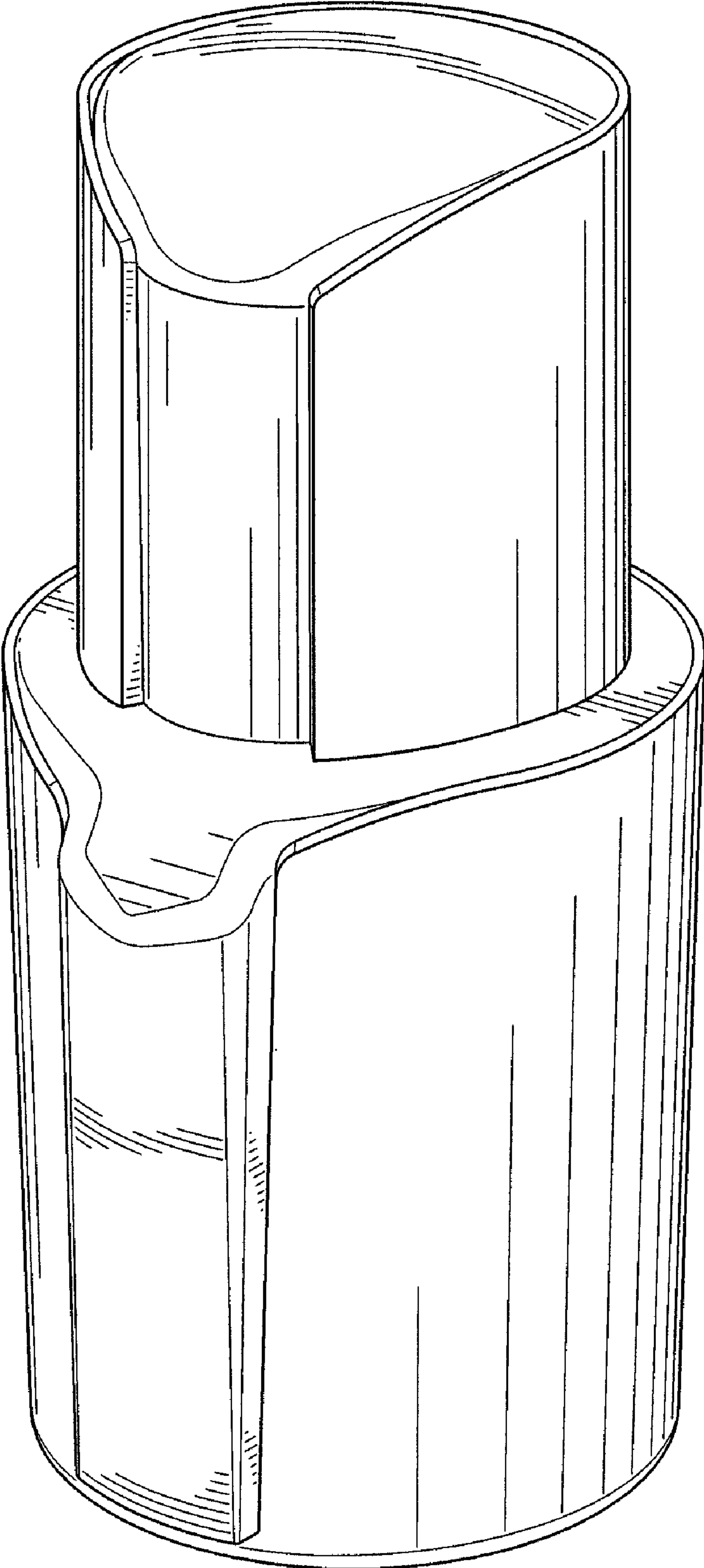
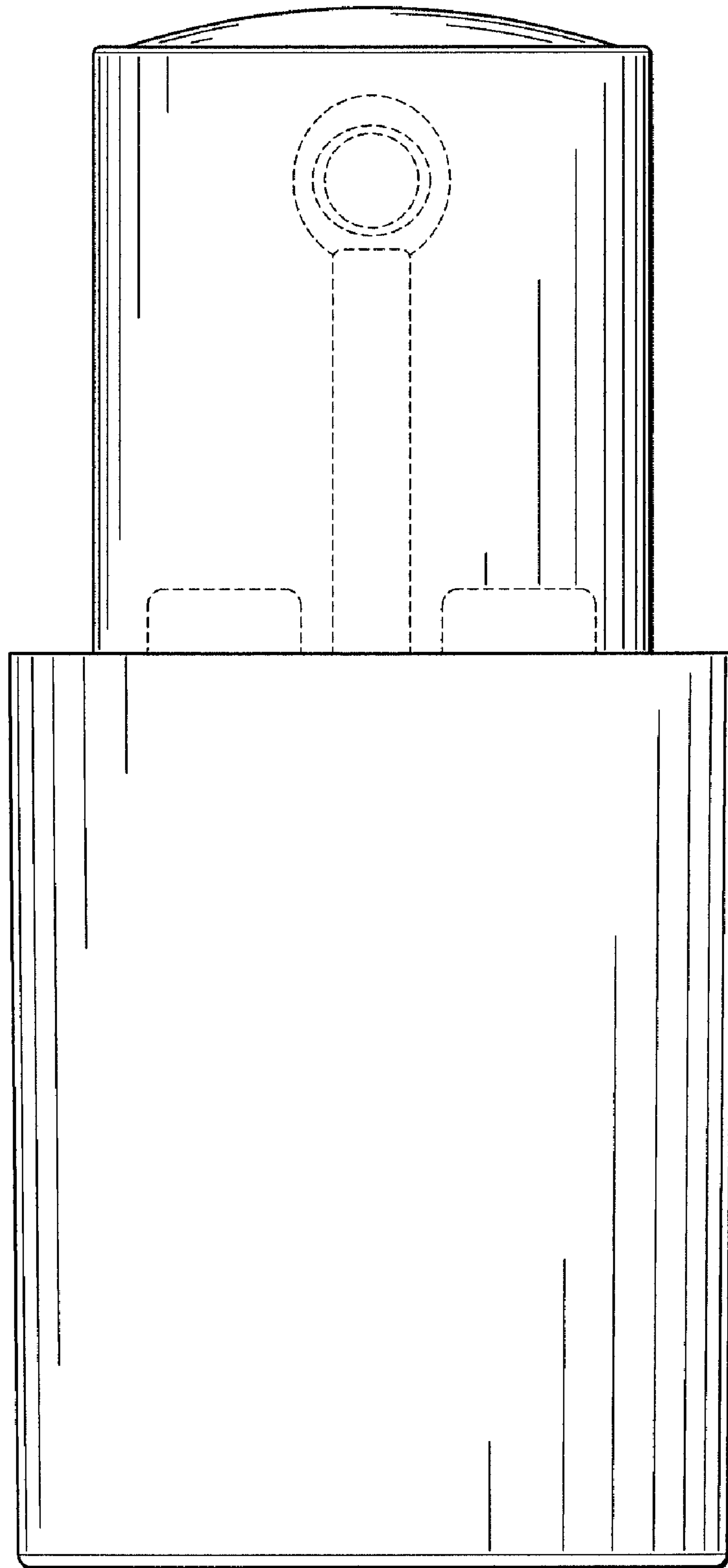


FIG. 2



*FIG. 3*

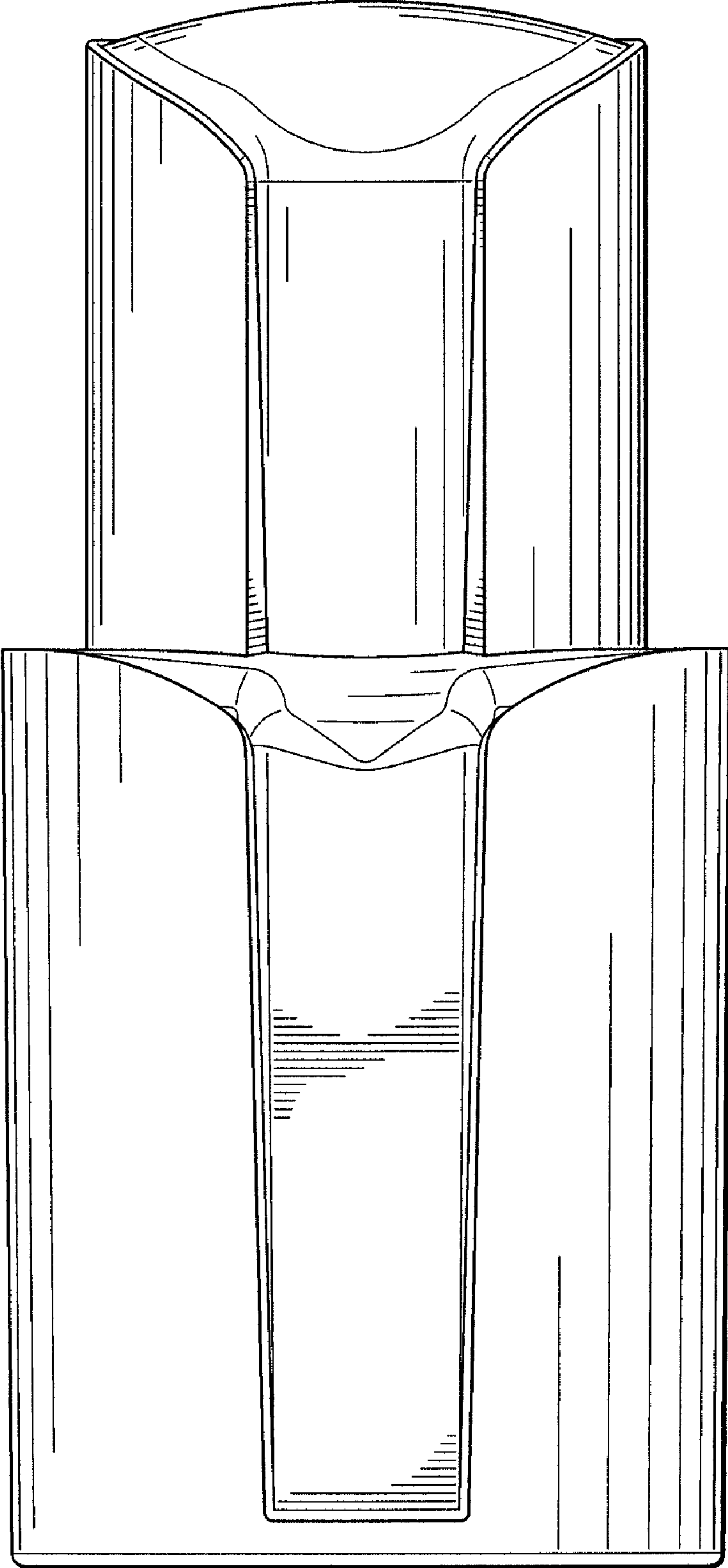
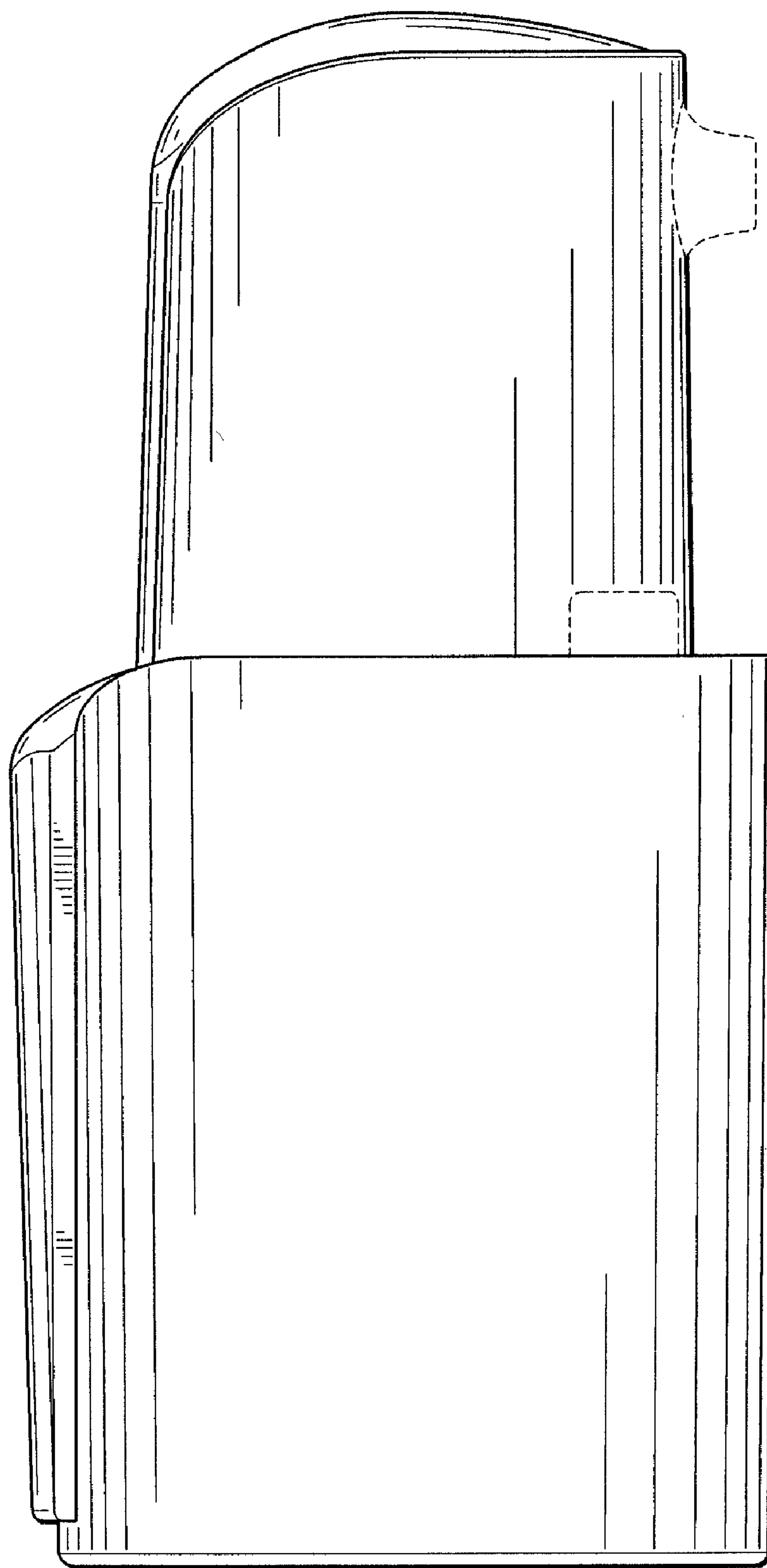
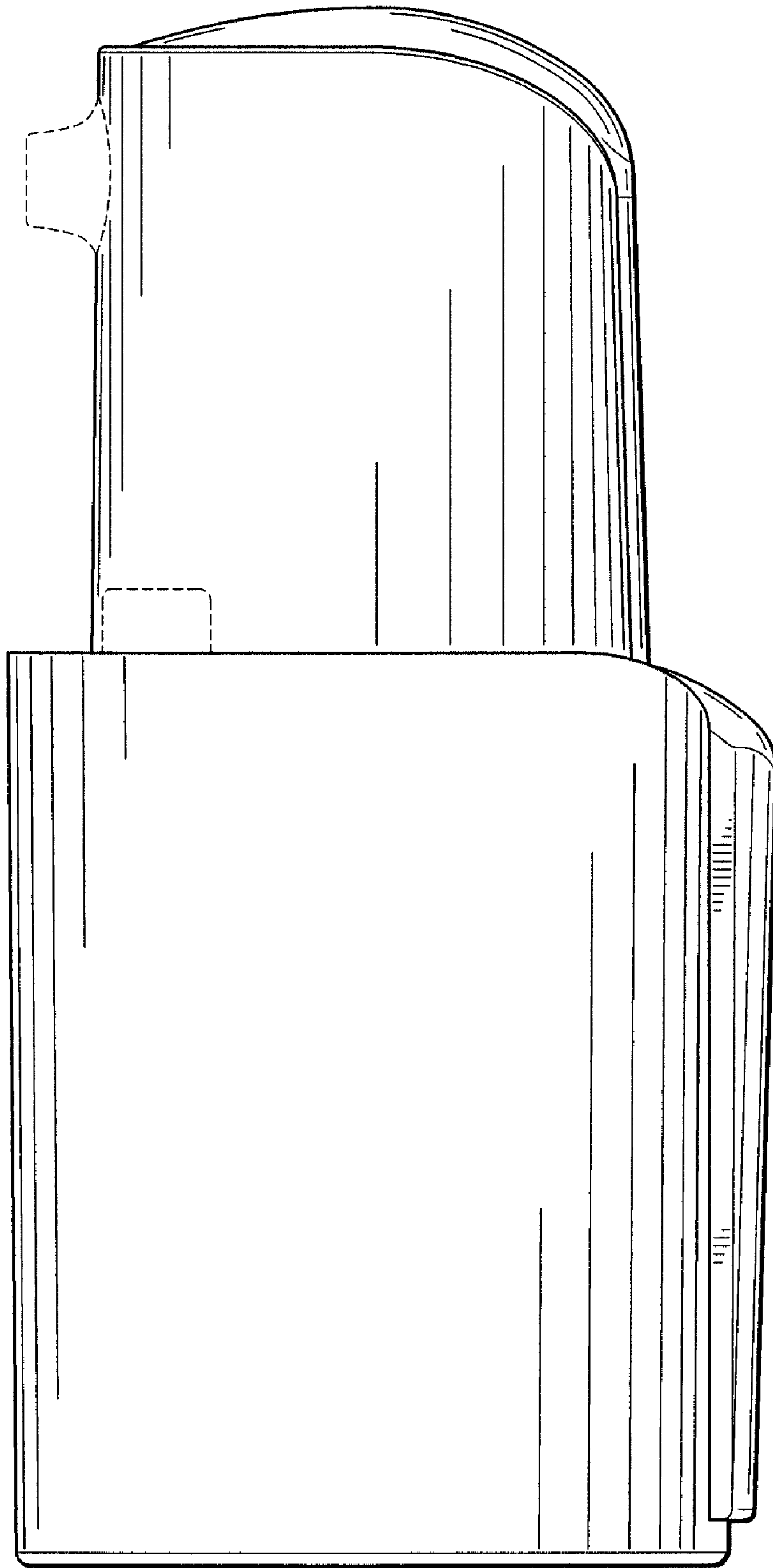


FIG. 4

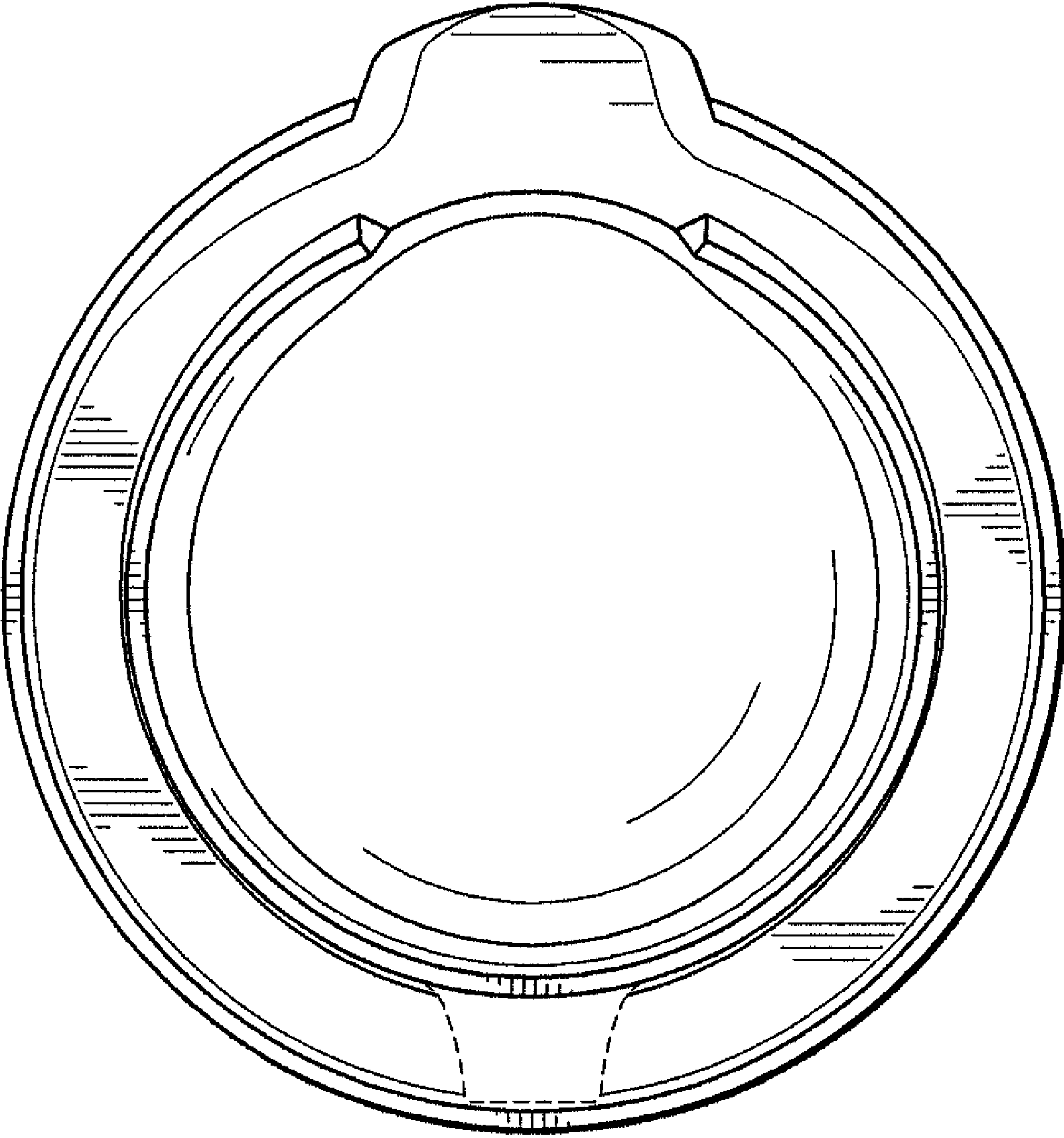


*FIG. 5*



*FIG. 6*





*FIG. 7*