



US00D624174S

(12) **United States Design Patent**  
**Omori et al.**

(10) **Patent No.:** **US D624,174 S**

(45) **Date of Patent:** **\*\* Sep. 21, 2010**

(54) **CONTAINER FOR BLOOD COLLECTION**

(75) Inventors: **Masayoshi Omori**, Hiroshima (JP);  
**Seishin Tanaka**, Hiroshima (JP);  
**Yasunori Okamoto**, Hiroshima (JP)

(73) Assignee: **JMS Co., Ltd.**, Hiroshima (JP)

(\*\*) Term: **14 Years**

(21) Appl. No.: **29/341,998**

(22) Filed: **Aug. 17, 2009**

(30) **Foreign Application Priority Data**

Feb. 18, 2009 (JP) ..... 2009-003187

(51) **LOC (9) Cl.** ..... **24-02**

(52) **U.S. Cl.** ..... **D24/108**

(58) **Field of Classification Search** ..... D24/107,  
D24/108, 111, 112, 117, 118, 121, 129, 164,  
D24/167, 169; 494/2, 16, 36, 37, 84, 17,  
494/20, 31, 33, 34; 435/2; 436/177; 422/99,  
422/101, 102, 103; 210/257.1, 259, 422,  
210/782, 806; 604/7, 6.15, 6.1, 30, 27, 19,  
604/317, 403, 410

See application file for complete search history.

(56) **References Cited**

**U.S. PATENT DOCUMENTS**

- 4,047,526 A \* 9/1977 Reynolds et al. .... 604/6.15
- 4,820,297 A \* 4/1989 Kaufman et al. .... 604/410
- 4,900,321 A \* 2/1990 Kaufman et al. .... 604/410
- 5,045,074 A \* 9/1991 Satterfield et al. .... 604/317
- 5,071,570 A \* 12/1991 Shiraki et al. .... 210/782
- 5,102,407 A \* 4/1992 Carmen et al. .... 604/410
- 5,141,645 A \* 8/1992 Shiraki et al. .... 604/410
- 5,234,403 A \* 8/1993 Yoda et al. .... 604/6.1
- D339,194 S \* 9/1993 Telang et al. .... D24/117
- D347,891 S \* 6/1994 Koch ..... D24/118
- D367,110 S \* 2/1996 Cotter ..... D24/118
- 5,523,004 A \* 6/1996 Tanokura et al. .... 210/782
- 5,527,472 A \* 6/1996 Bellotti et al. .... 210/257.1
- 5,648,265 A \* 7/1997 Epstein ..... 604/403

- D383,837 S \* 9/1997 Cotter ..... D24/108
- 5,674,199 A \* 10/1997 Brugger ..... 604/122
- D387,157 S \* 12/1997 Cotter ..... D24/118
- 6,387,086 B2 \* 5/2002 Mathias et al. .... 604/6.15
- 6,589,197 B1 \* 7/2003 Doi et al. .... 604/6.1
- 6,742,760 B2 \* 6/2004 Blickhan et al. .... 251/11
- 7,264,608 B2 \* 9/2007 Bischof et al. .... 604/403
- 7,309,468 B2 \* 12/2007 Stevens et al. .... 422/102
- 2005/0215975 A1 \* 9/2005 Mathias et al. .... 604/403
- 2006/0243676 A1 \* 11/2006 Swift et al. .... 210/782
- 2008/0241001 A1 \* 10/2008 Haywood et al. .... 422/102
- 2009/0187153 A1 \* 7/2009 West et al. .... 604/263

\* cited by examiner

*Primary Examiner*—Ian Simmons

*Assistant Examiner*—Wan Laymon

(74) *Attorney, Agent, or Firm*—Cermak Nakajima LLP;  
Tomoko Nakajima

(57) **CLAIM**

The ornamental design for a container for blood collection, as shown.

**DESCRIPTION**

FIG. 1 is a perspective view of a container for blood component separation and preservation showing our new design;

FIG. 2 is a front elevational view thereof;

FIG. 3 is a rear elevational view thereof;

FIG. 4 is a left side elevational view thereof;

FIG. 5 is a right side elevational view thereof;

FIG. 6 is a top plan view thereof; and

FIG. 7 is a bottom plan view thereof.

FIG. 8 is an enlarged fragmentary perspective view thereof, taken along the lines 8—8' shown in FIG. 1;

FIG. 9 is an enlarged fragmentary front elevational view thereof, taken along the lines 9—9' shown in FIG. 2;

FIG. 10 is an enlarged fragmentary top plan view thereof, taken along the lines 10—10' shown in FIG. 6; and,

FIG. 11 is an enlarged fragmentary bottom plan view thereof, taken along the lines 11—11' shown in FIG. 7.

**1 Claim, 11 Drawing Sheets**

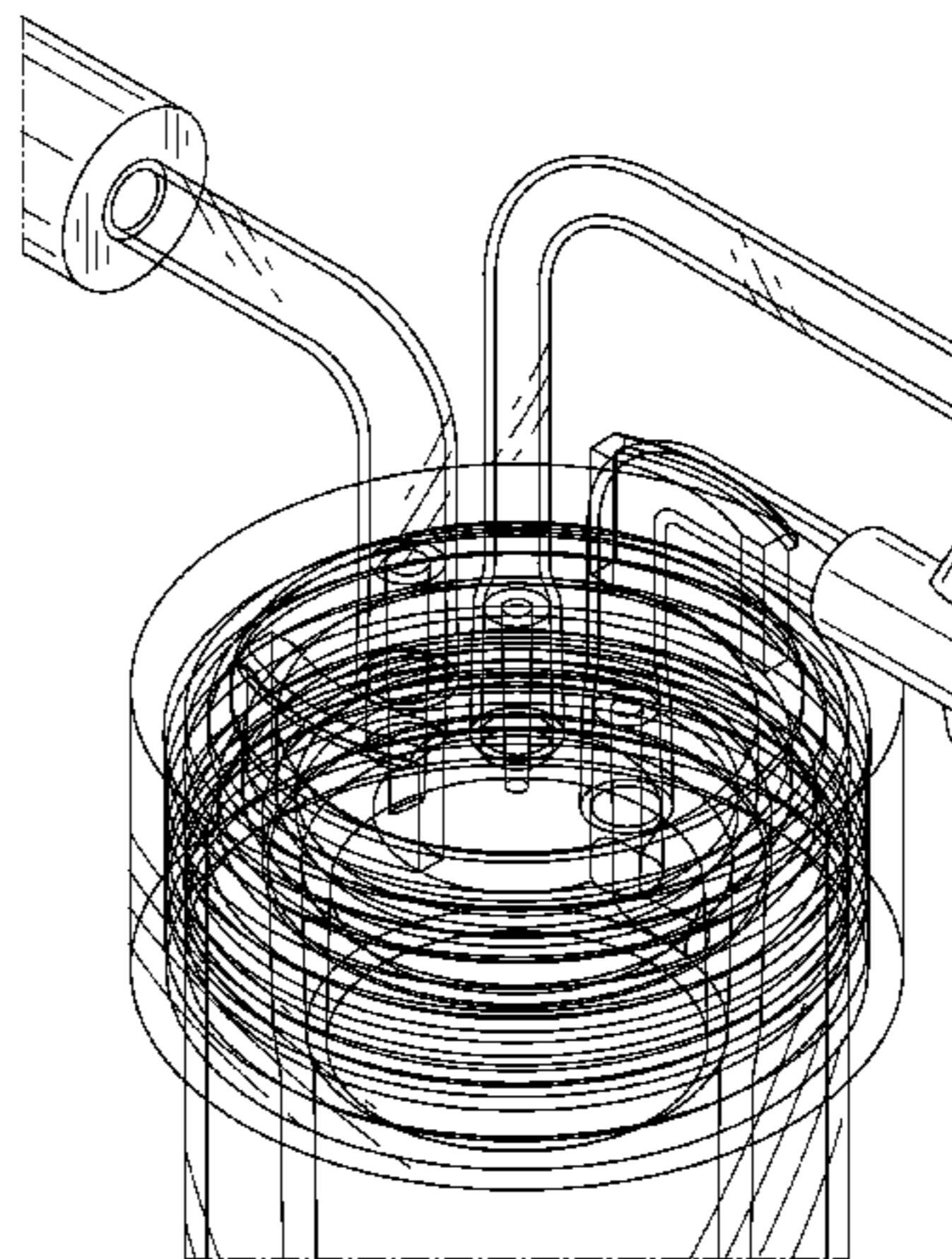
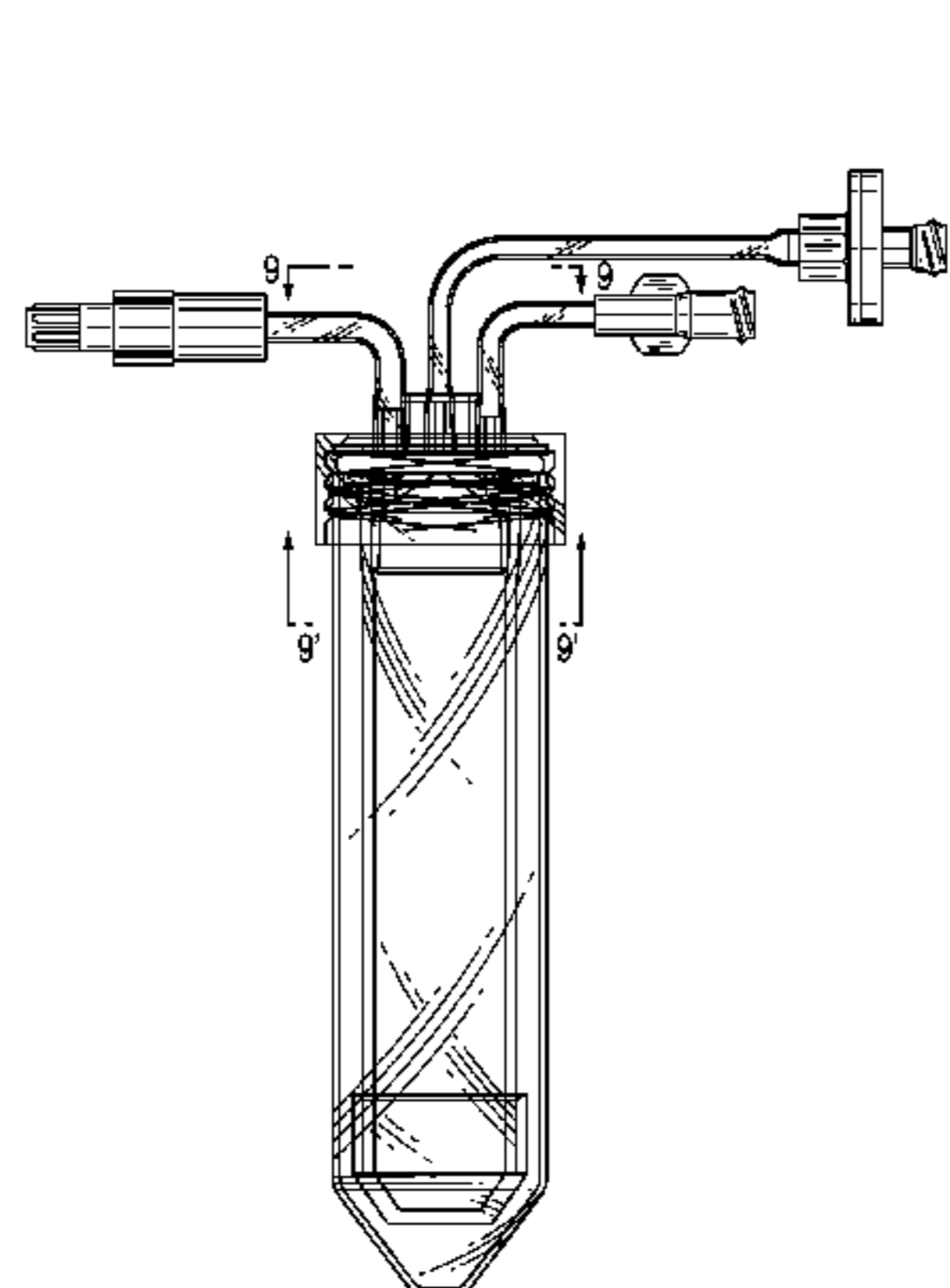


FIG. 1

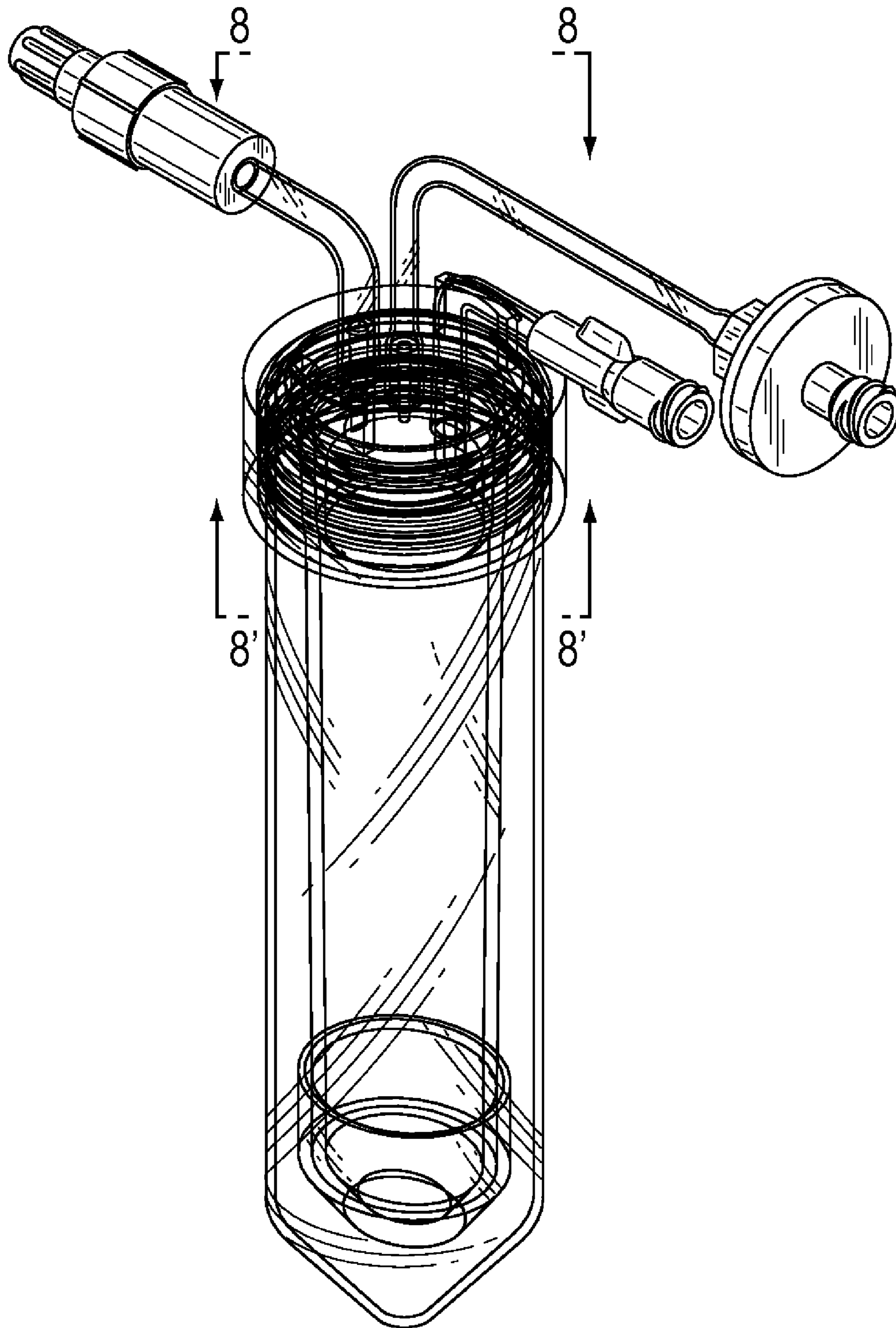


FIG.2

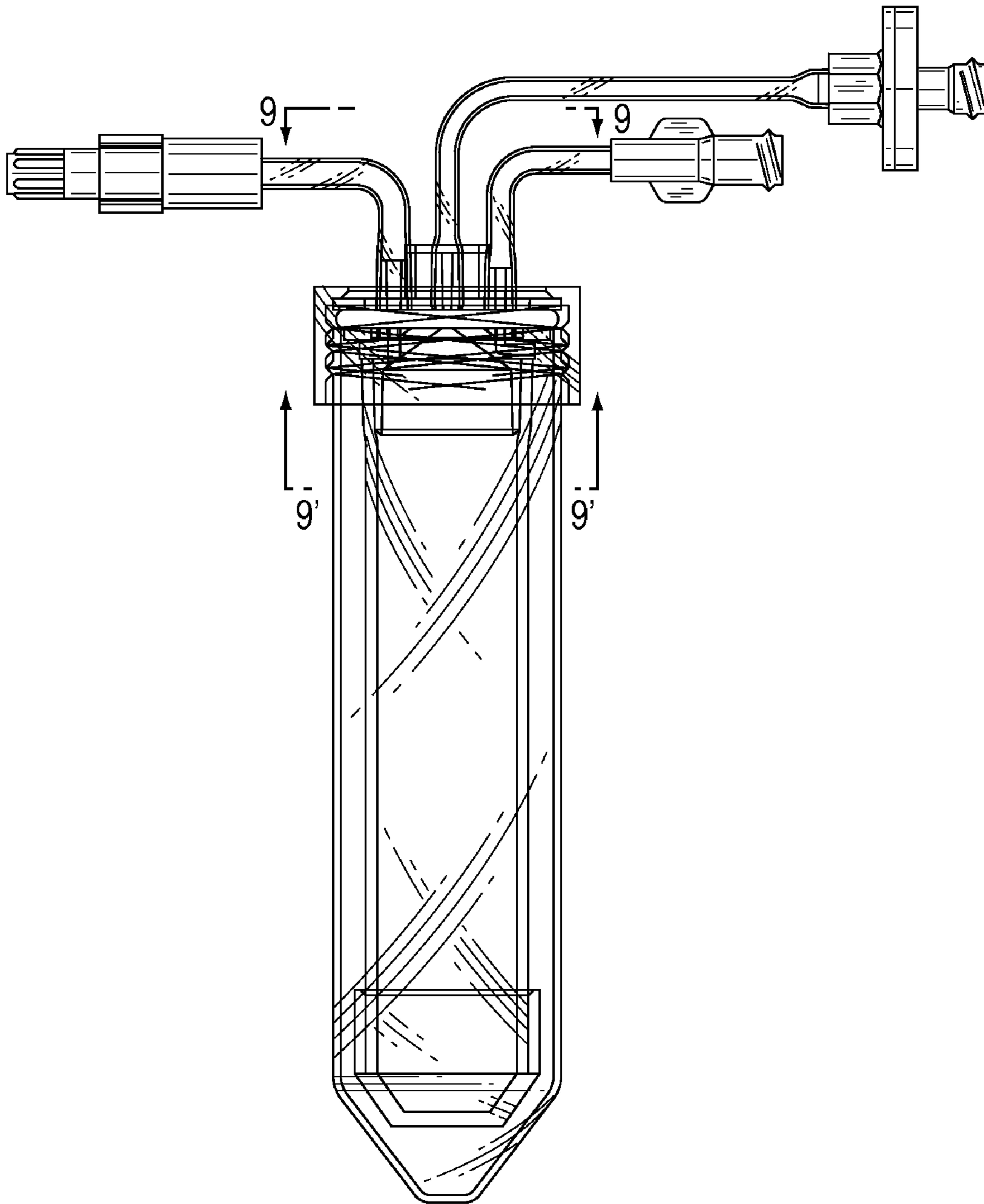


FIG.3

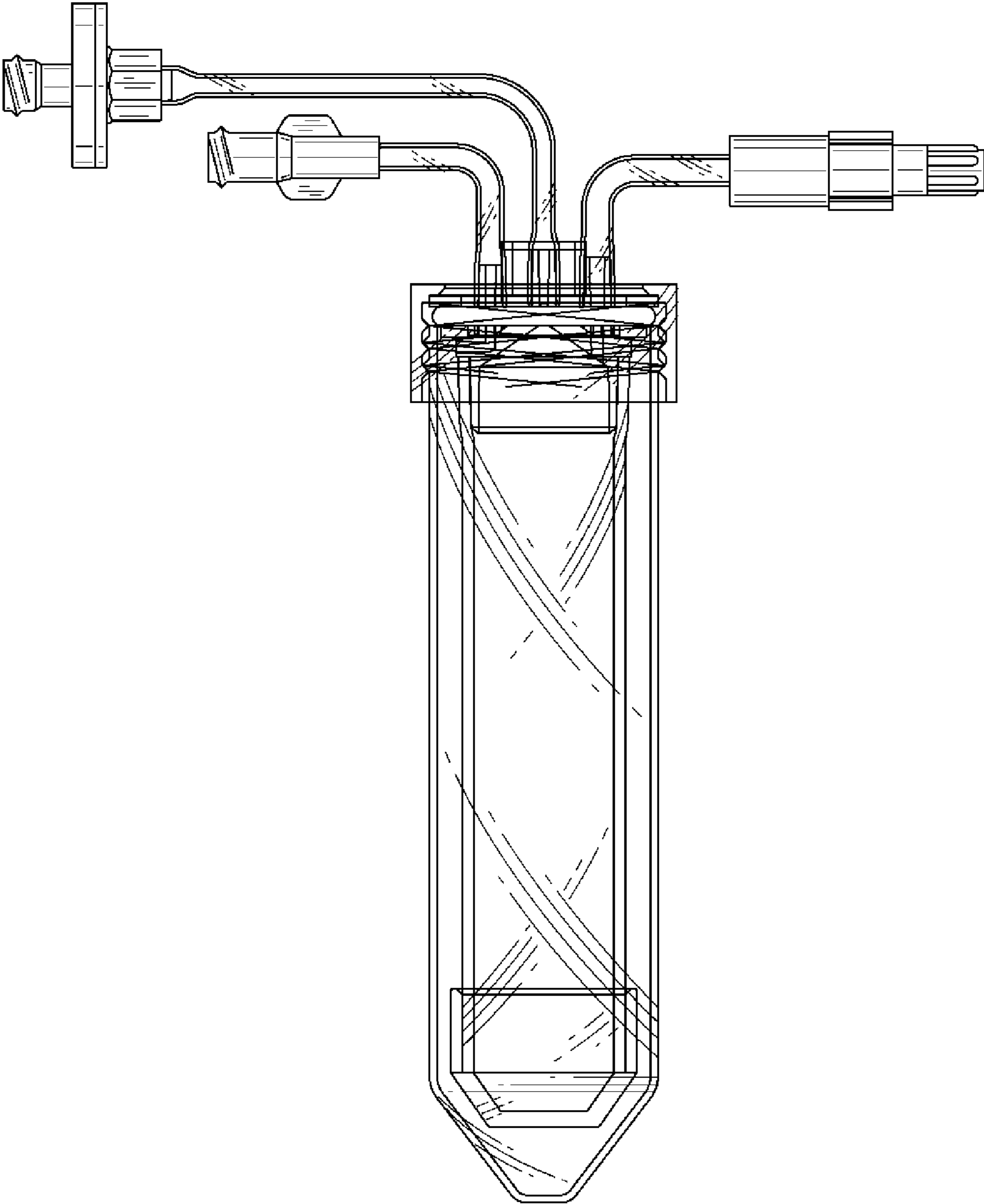


FIG.4

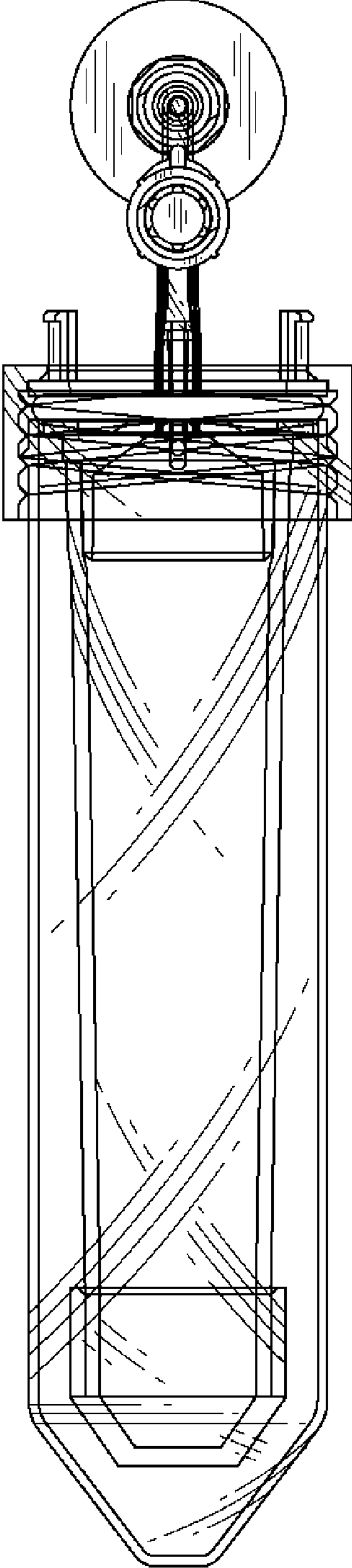


FIG.5

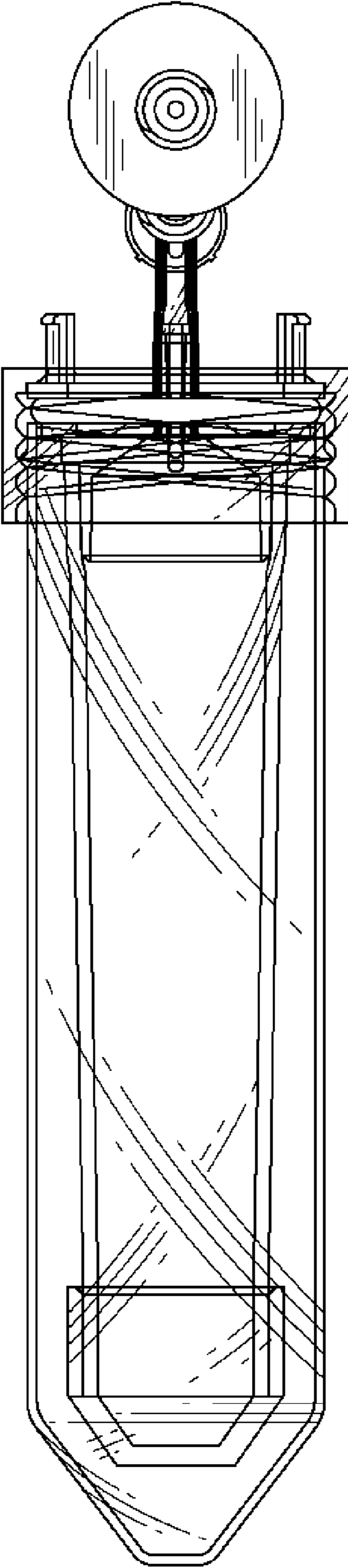


FIG.6

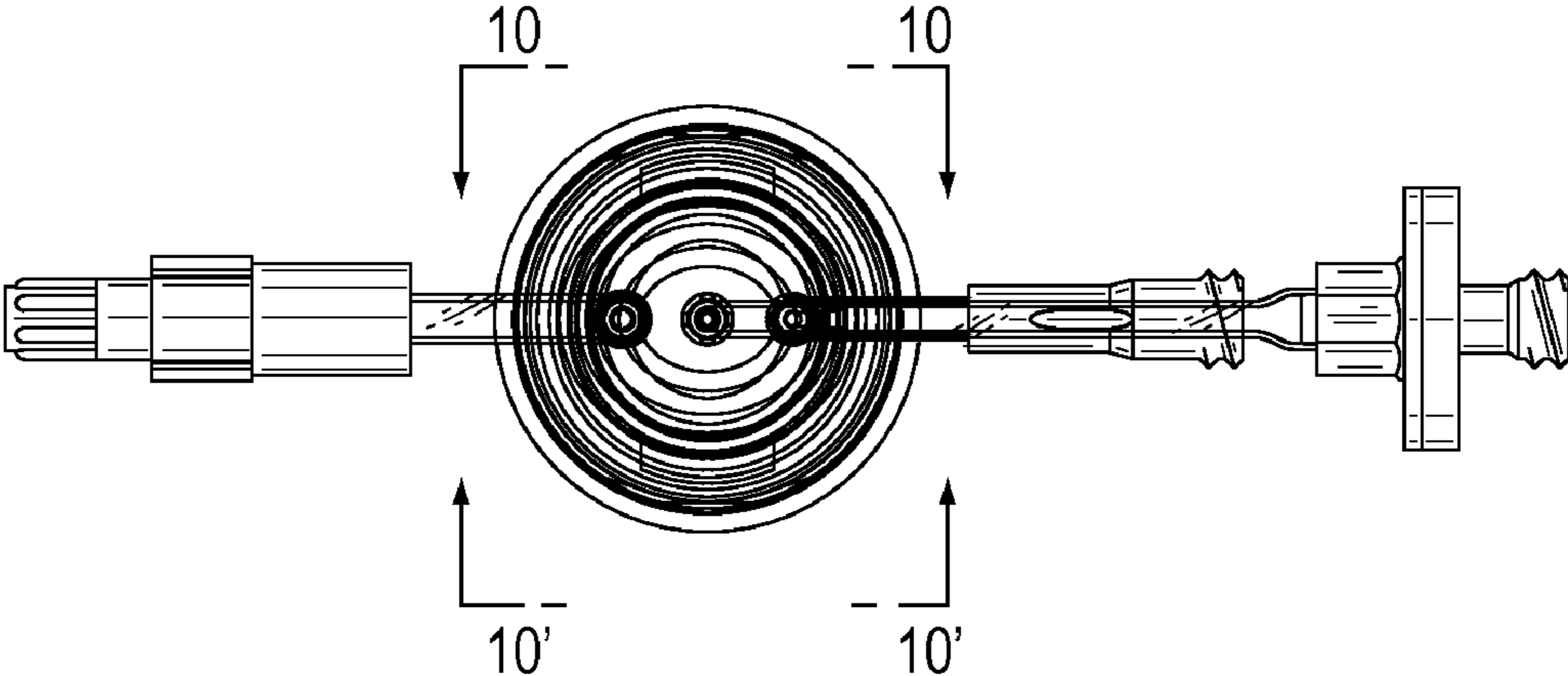


FIG.7

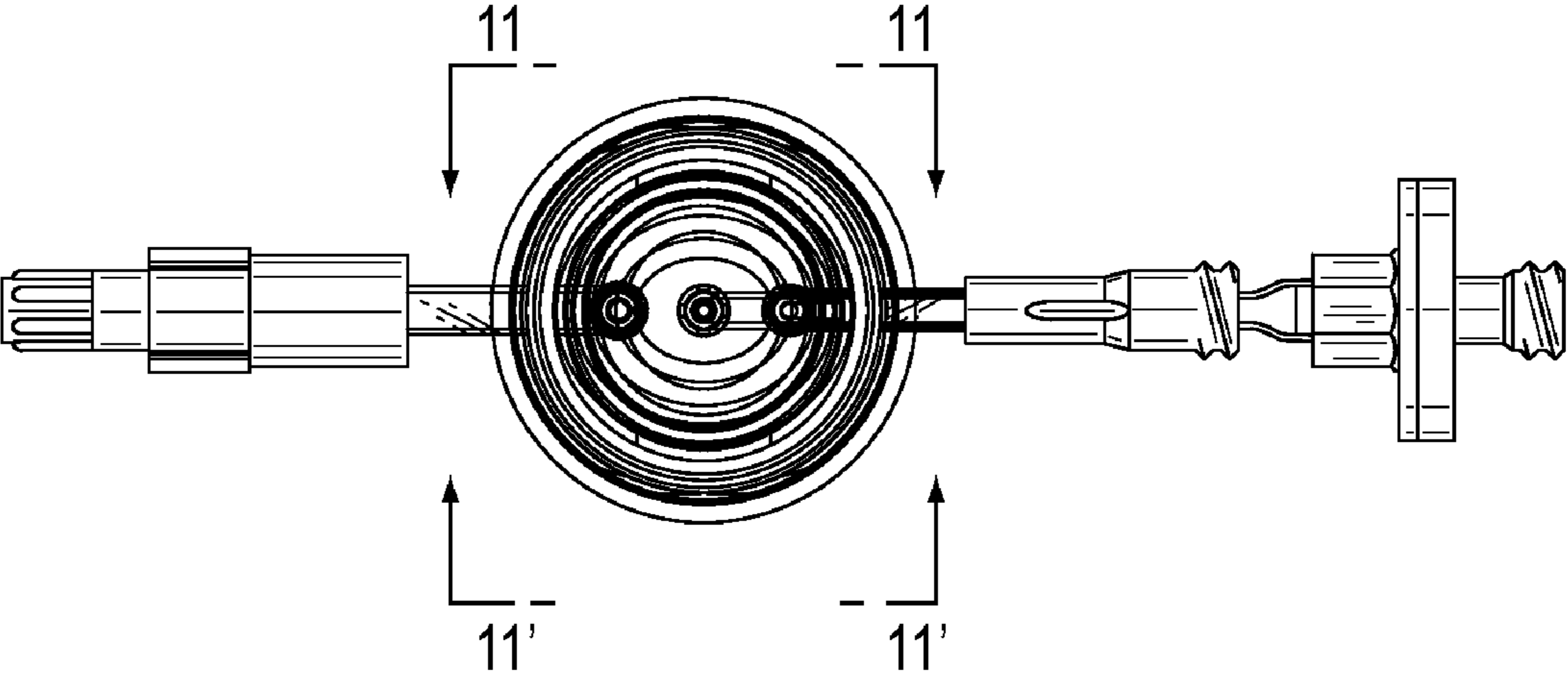




FIG.8

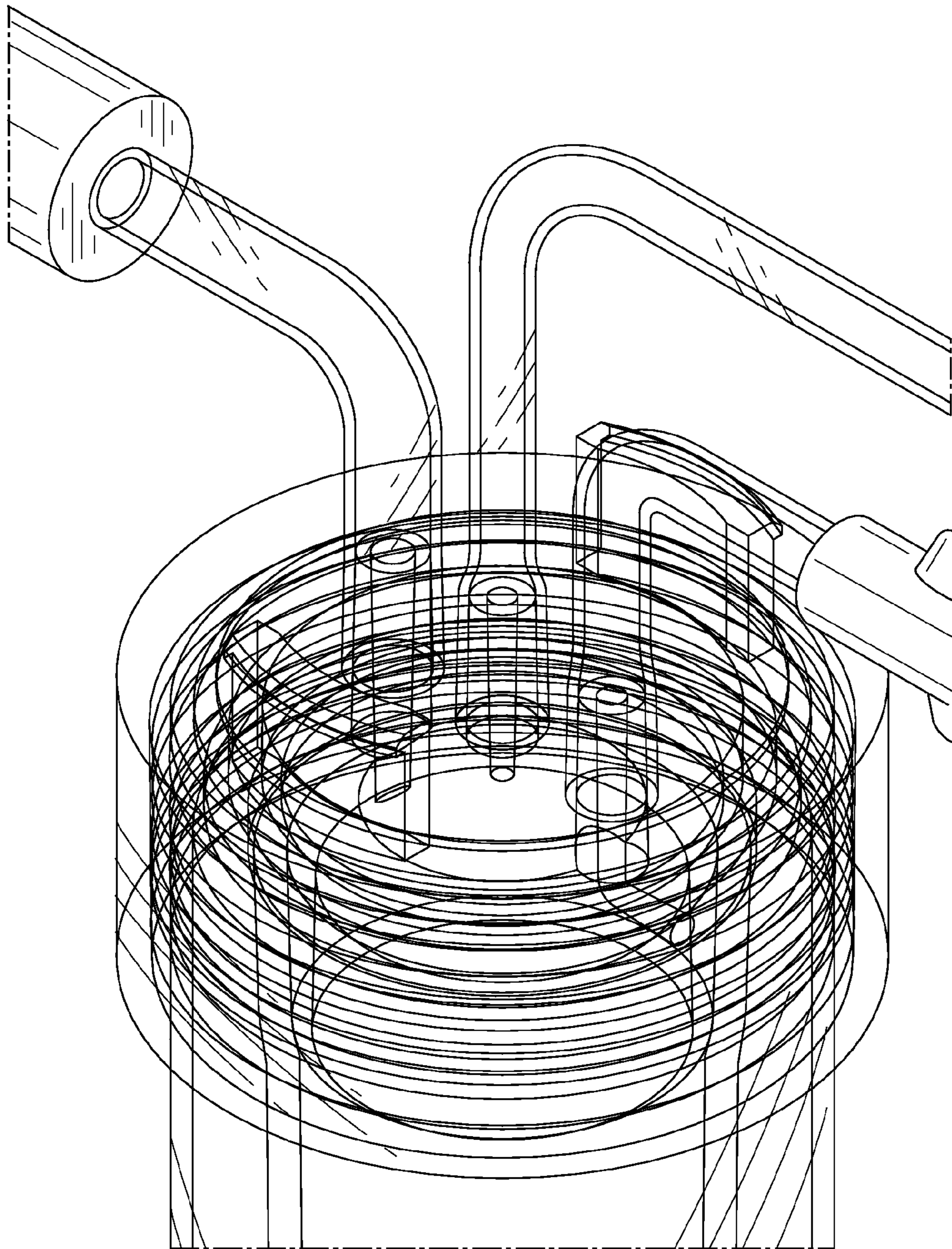


FIG.9

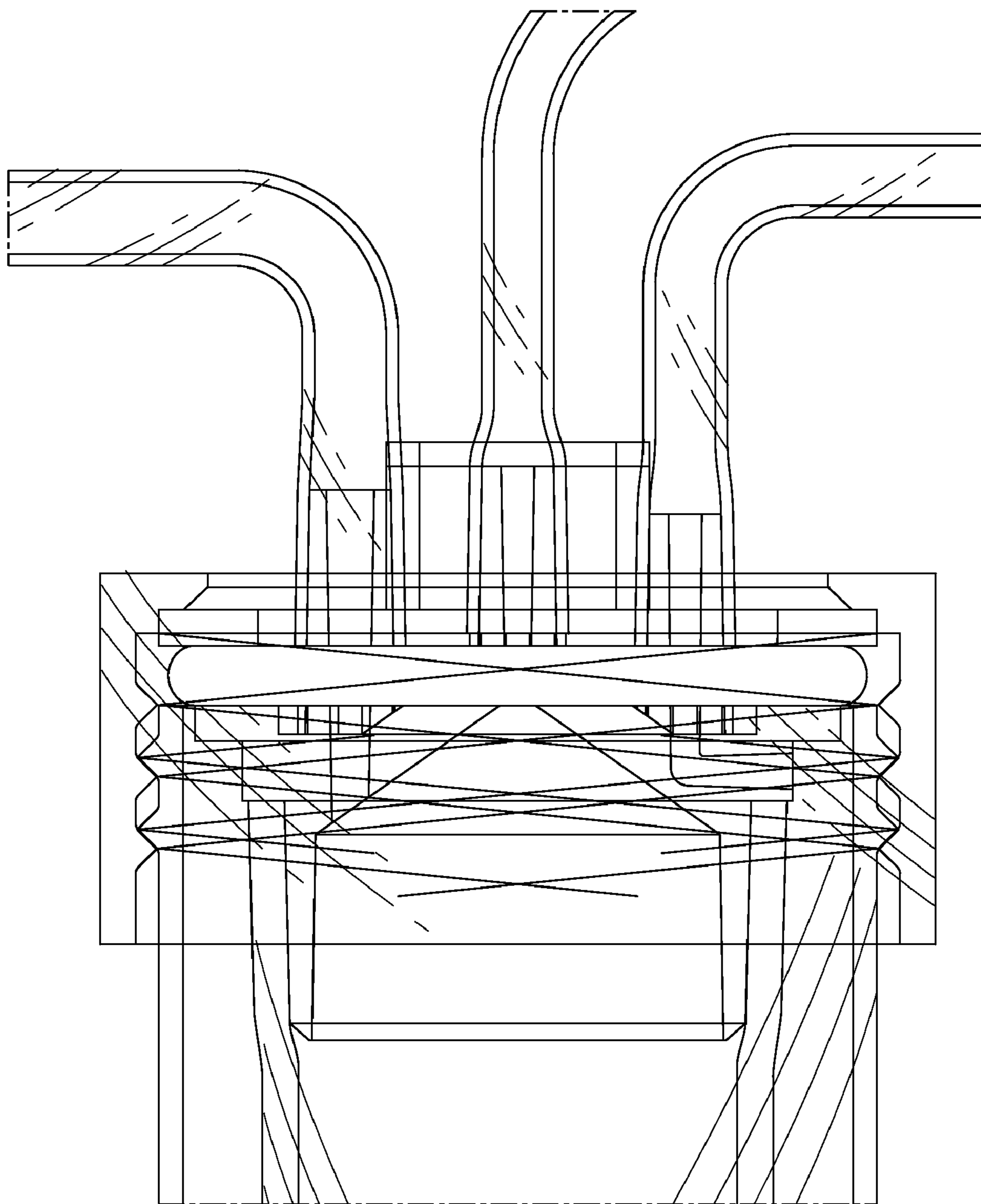


FIG.10

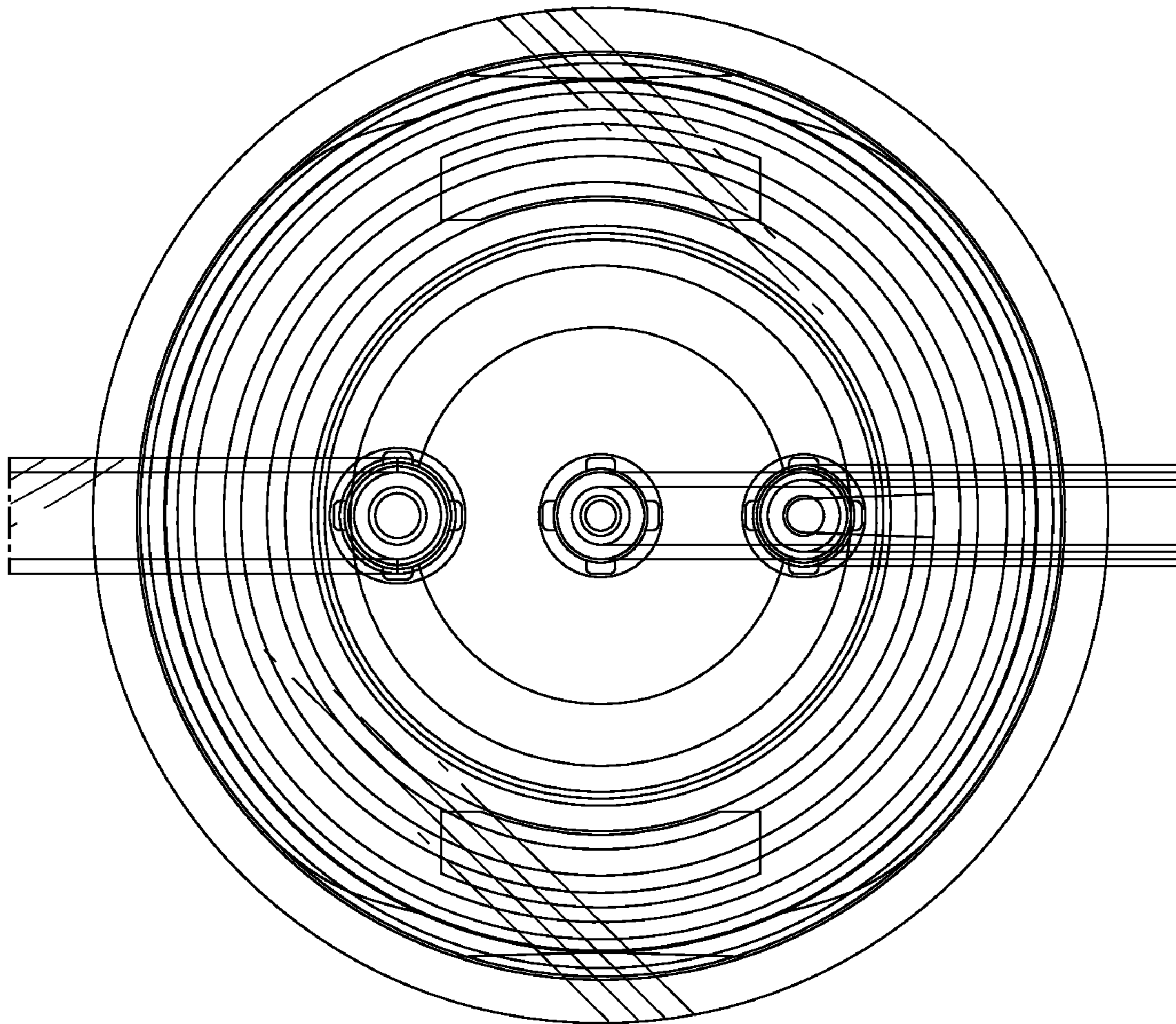


FIG. 11

