



US00D624173S

(12) **United States Design Patent**
Omori et al.

(10) **Patent No.:** **US D624,173 S**
(45) **Date of Patent:** **** Sep. 21, 2010**

(54) **CONTAINER FOR BLOOD COMPONENT SEPARATION AND PRESERVATION**

(75) Inventors: **Masayoshi Omori**, Hiroshima (JP);
Seishin Tanaka, Hiroshima (JP);
Yasunori Okamoto, Hiroshima (JP)

(73) Assignee: **JMS Co., Ltd.**, Hiroshima (JP)

(**) Term: **14 Years**

(21) Appl. No.: **29/341,995**

(22) Filed: **Aug. 17, 2009**

(30) **Foreign Application Priority Data**

Feb. 18, 2009 (JP) 2009-003188

(51) **LOC (9) Cl.** **24-02**

(52) **U.S. Cl.** **D24/108**

(58) **Field of Classification Search** D24/107,
D24/108, 111, 112, 117, 118, 121, 129, 164,
D24/167, 169; 494/2, 16, 36, 37, 84, 17,
494/20, 31, 33, 34; 435/2; 436/177; 422/99,
422/101, 102, 103; 210/257.1, 259, 422,
210/782, 806; 604/7, 6.15, 6.1, 30, 27, 19,
604/317, 403, 410

See application file for complete search history.

(56) **References Cited**

U.S. PATENT DOCUMENTS

4,047,526 A * 9/1977 Reynolds et al. 604/6.15
4,820,297 A * 4/1989 Kaufman et al. 604/410

(Continued)

Primary Examiner—Ian Simmons

Assistant Examiner—Wan Laymon

(74) *Attorney, Agent, or Firm*—Cermak Nakajima LLP;
Tomoko Nakajima

(57) **CLAIM**

The ornamental design for a container for blood component separation and preservation, as shown and described.

DESCRIPTION

FIG. 1 is a perspective view of a container for blood component separation and preservation showing our new design;

FIG. 2 is a front elevational view thereof;

FIG. 3 is a rear elevational view thereof;

FIG. 4 is a left side elevational view thereof;

FIG. 5 is a right side elevational view thereof;

FIG. 6 is a top plan view thereof; and,

FIG. 7 is a bottom plan view thereof.

FIG. 8 is an enlarged fragmentary perspective view thereof, taken along the lines 8—8' shown in FIG. 1;

FIG. 9 is an enlarged fragmentary perspective view thereof, taken along the lines 9—9' shown in FIG. 1;

FIG. 10 is an enlarged fragmentary front elevational view thereof, taken along the lines 10—10' shown in FIG. 2;

FIG. 11 is an enlarged fragmentary front elevational view thereof, taken along the lines 11—11' shown in FIG. 2;

FIG. 12 is an enlarged fragmentary top plan view thereof, taken along the lines 12—12' shown in FIG. 6;

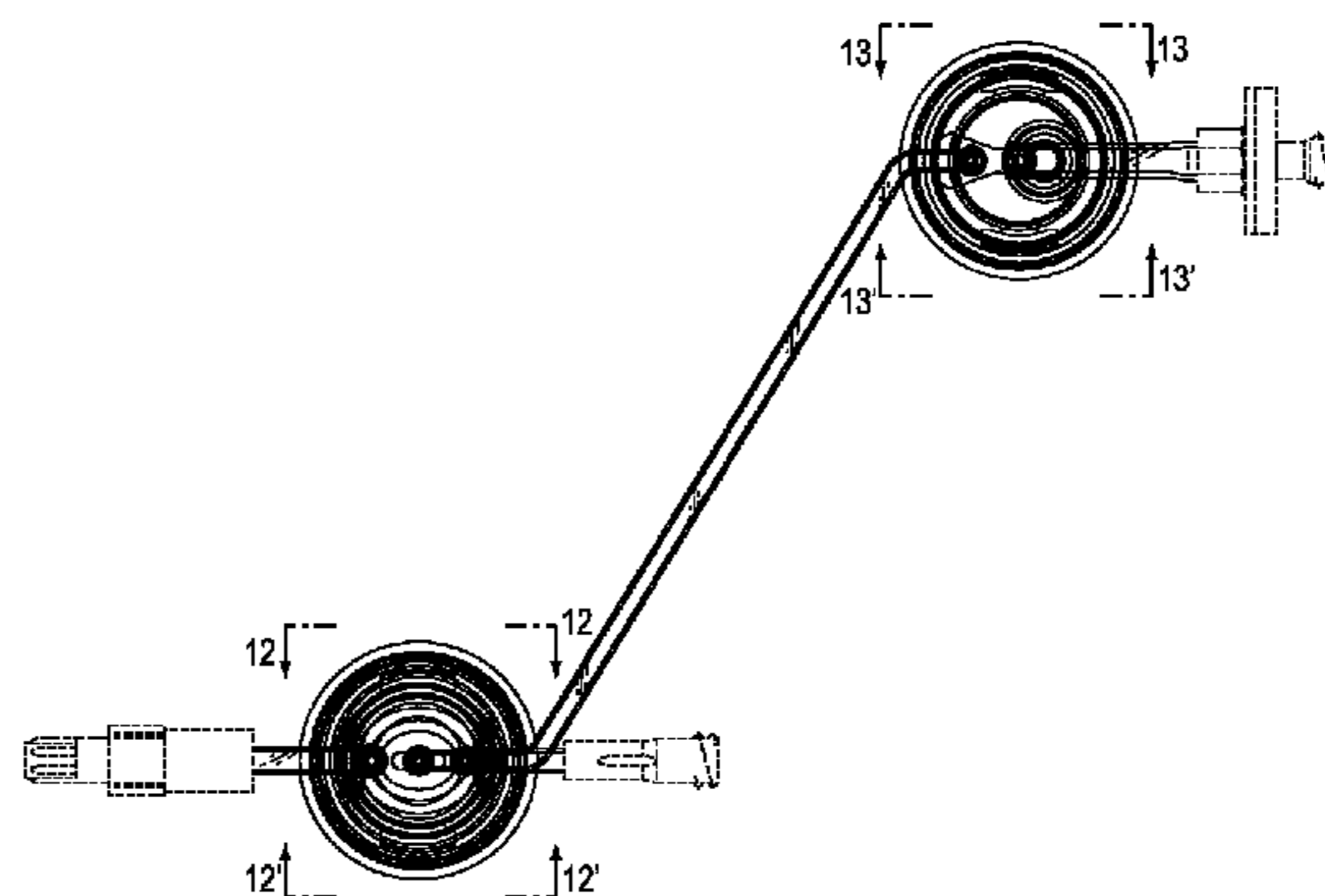
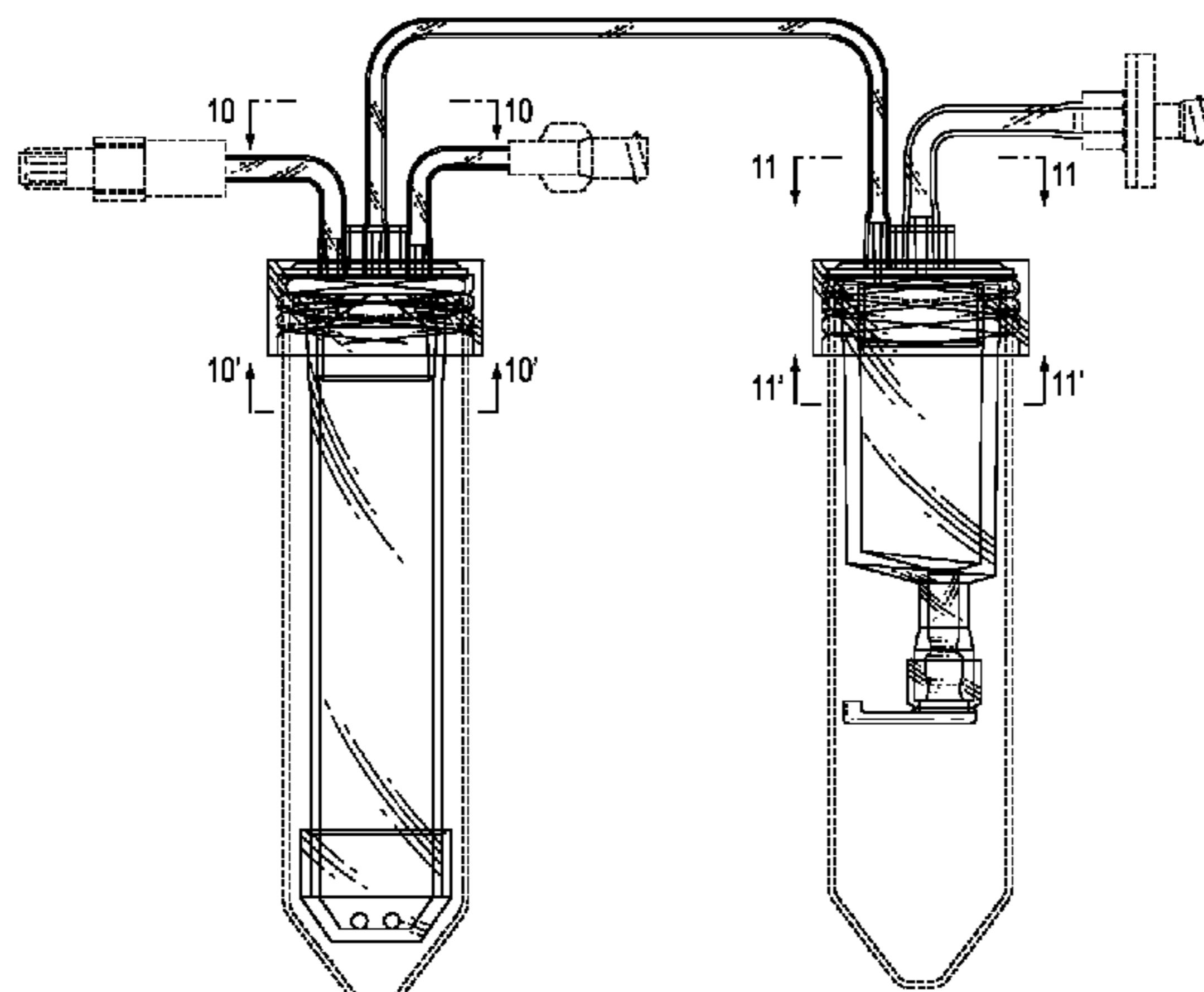
FIG. 13 is an enlarged fragmentary top plan view thereof, taken along the lines 13—13' shown in FIG. 6;

FIG. 14 is an enlarged fragmentary bottom plan view thereof, taken along the lines 14—14' shown in FIG. 7; and,

FIG. 15 is an enlarged fragmentary bottom plan view thereof, taken along the lines 15—15' shown in FIG. 7.

The broken lines showing portions of a container for blood component separation and preservation are included for the purpose of illustrating environmental structure and form no part of the claimed design.

1 Claim, 15 Drawing Sheets



US D624,173 S

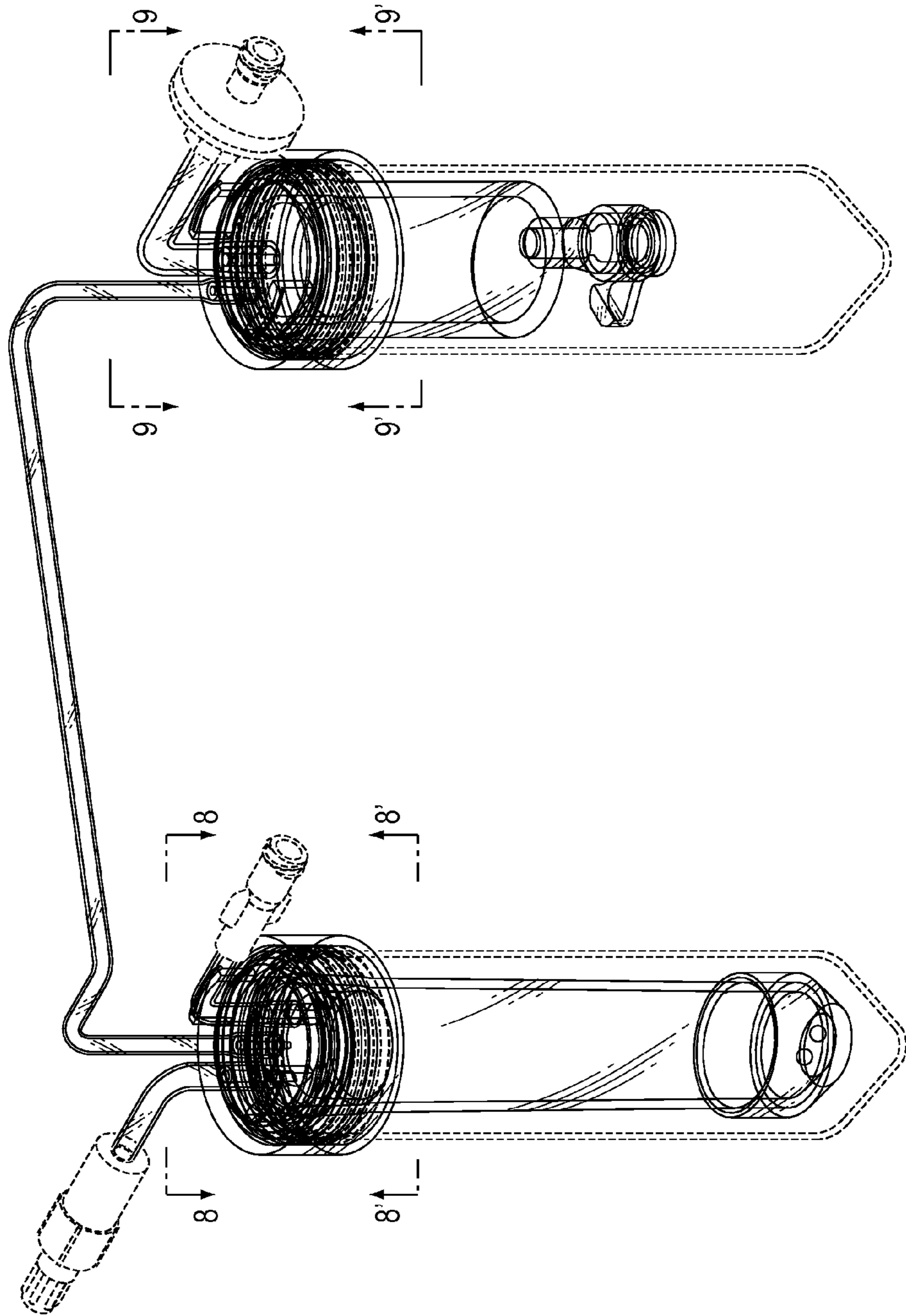
Page 2

U.S. PATENT DOCUMENTS

4,900,321	A *	2/1990	Kaufman et al.	604/410	D383,837	S *	9/1997	Cotter	D24/108
5,045,074	A *	9/1991	Satterfield et al.	604/317	5,674,199	A *	10/1997	Brugger	604/122
5,071,570	A *	12/1991	Shiraki et al.	210/782	D387,157	S *	12/1997	Cotter	D24/118
5,102,407	A *	4/1992	Carmen et al.	604/410	6,387,086	B2 *	5/2002	Mathias et al.	604/6.15
5,141,645	A *	8/1992	Shiraki et al.	604/410	6,589,197	B1 *	7/2003	Doi et al.	604/6.1
5,234,403	A *	8/1993	Yoda et al.	604/6.1	6,742,760	B2 *	6/2004	Blickhan et al.	251/11
D339,194	S *	9/1993	Telang et al.	D24/117	7,264,608	B2 *	9/2007	Bischof et al.	604/403
D347,891	S *	6/1994	Koch	D24/118	7,309,468	B2 *	12/2007	Stevens et al.	422/102
D367,110	S *	2/1996	Cotter	D24/118	2005/0215975	A1 *	9/2005	Mathias et al.	604/403
5,523,004	A *	6/1996	Tanokura et al.	210/782	2006/0243676	A1 *	11/2006	Swift et al.	210/782
5,527,472	A *	6/1996	Bellotti et al.	210/257.1	2008/0241001	A1 *	10/2008	Haywood et al.	422/102
5,648,265	A *	7/1997	Epstein	604/403	2009/0187153	A1 *	7/2009	West et al.	604/263

* cited by examiner

FIG.1



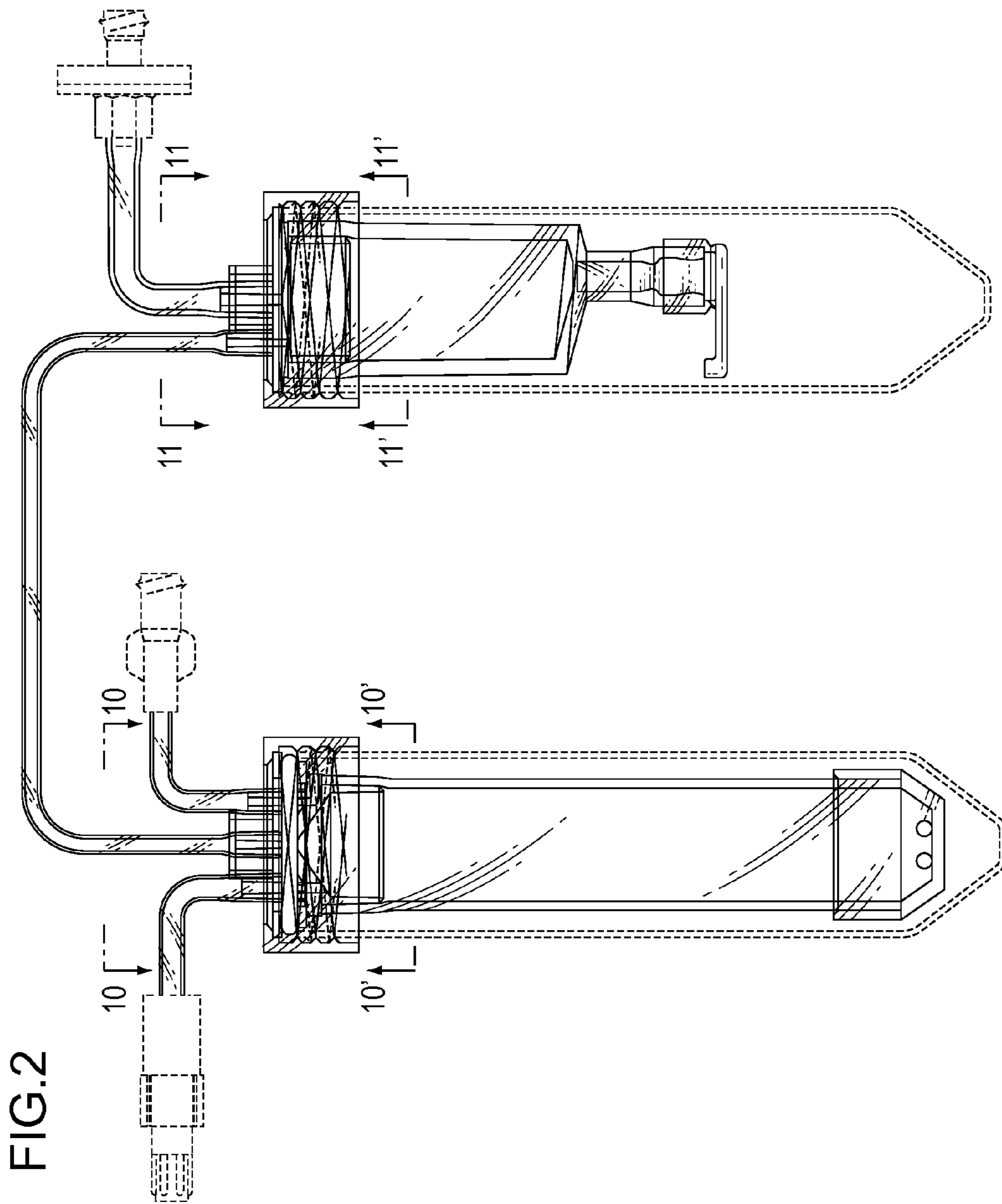


FIG. 2

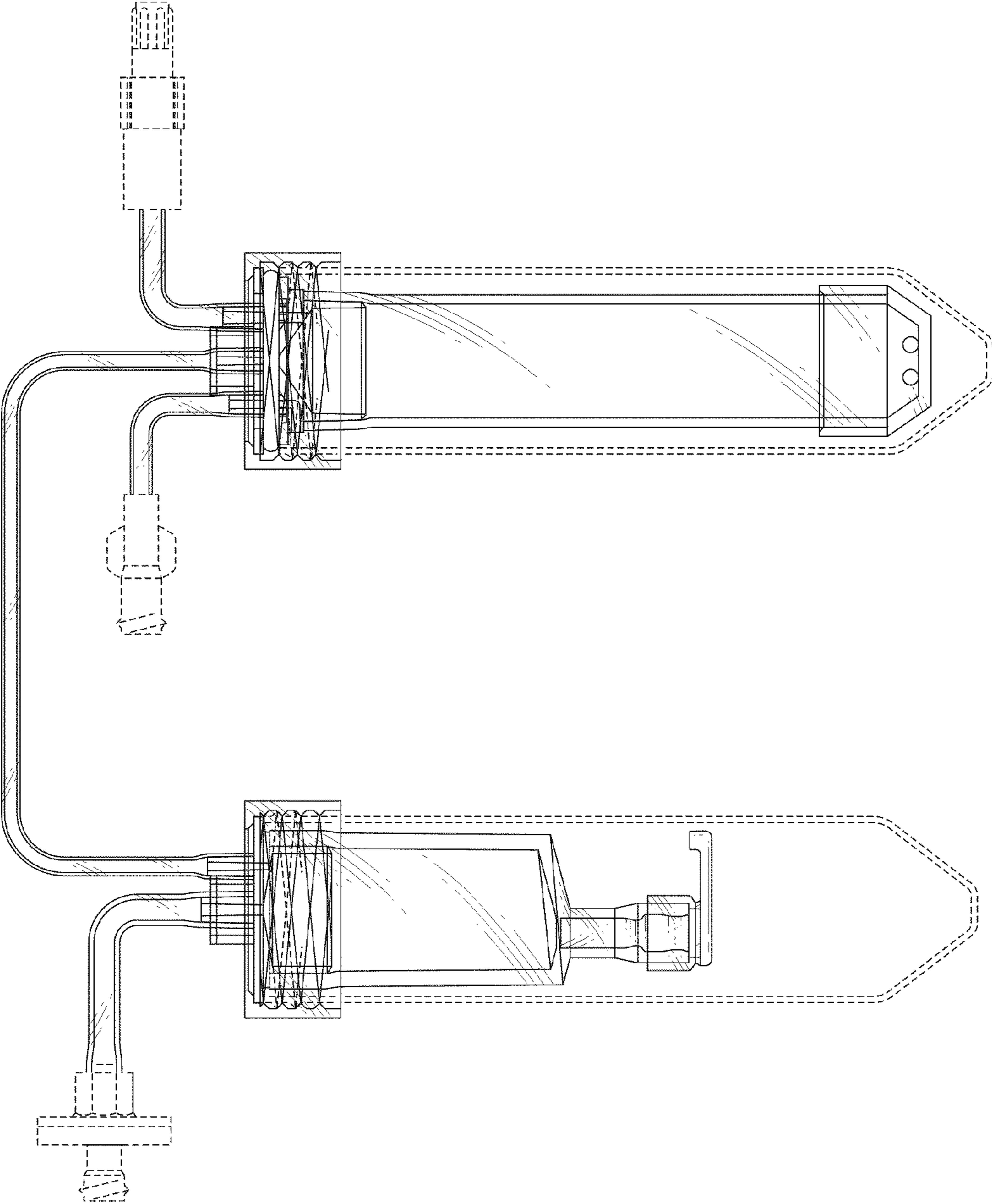


FIG.3

FIG.4

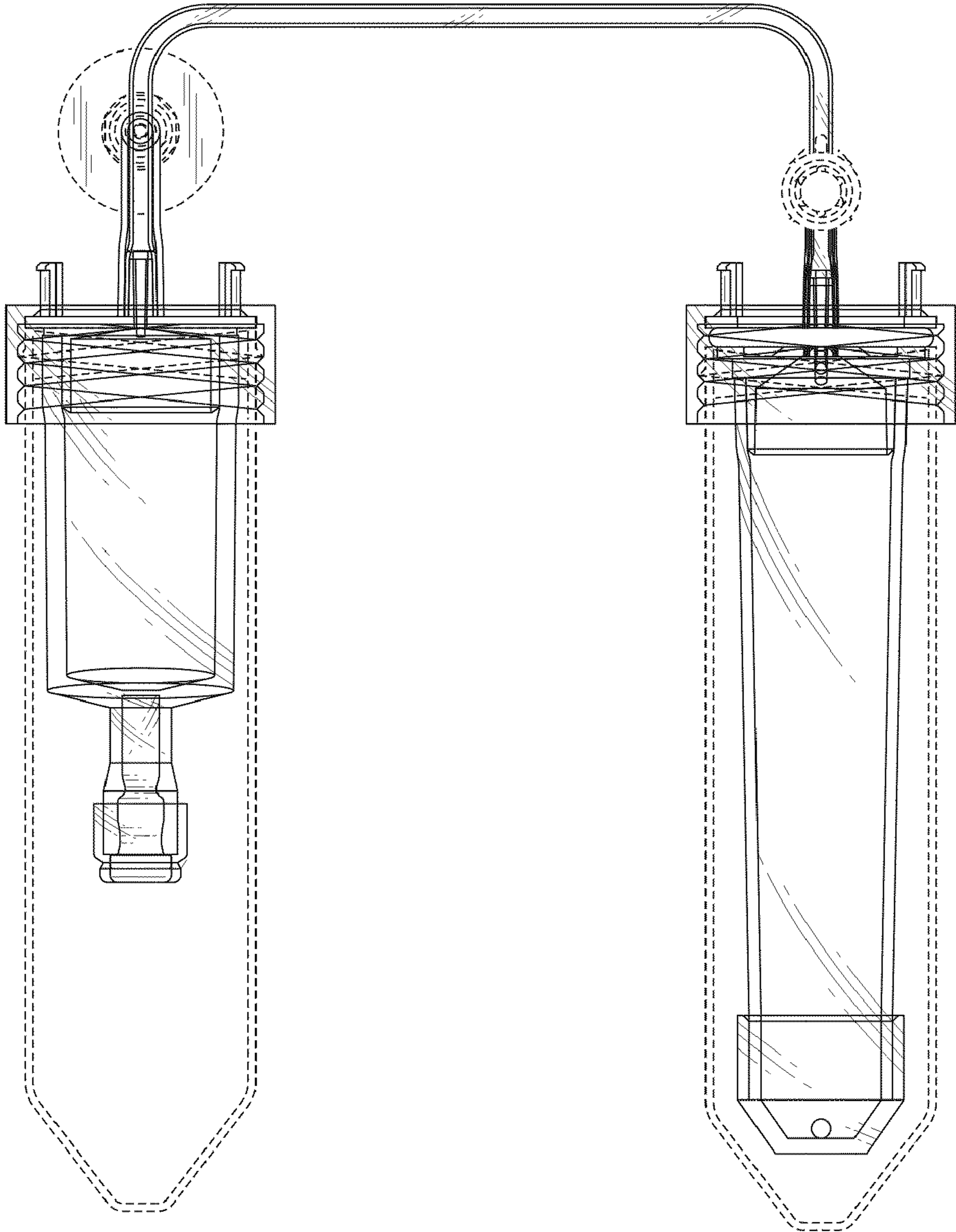
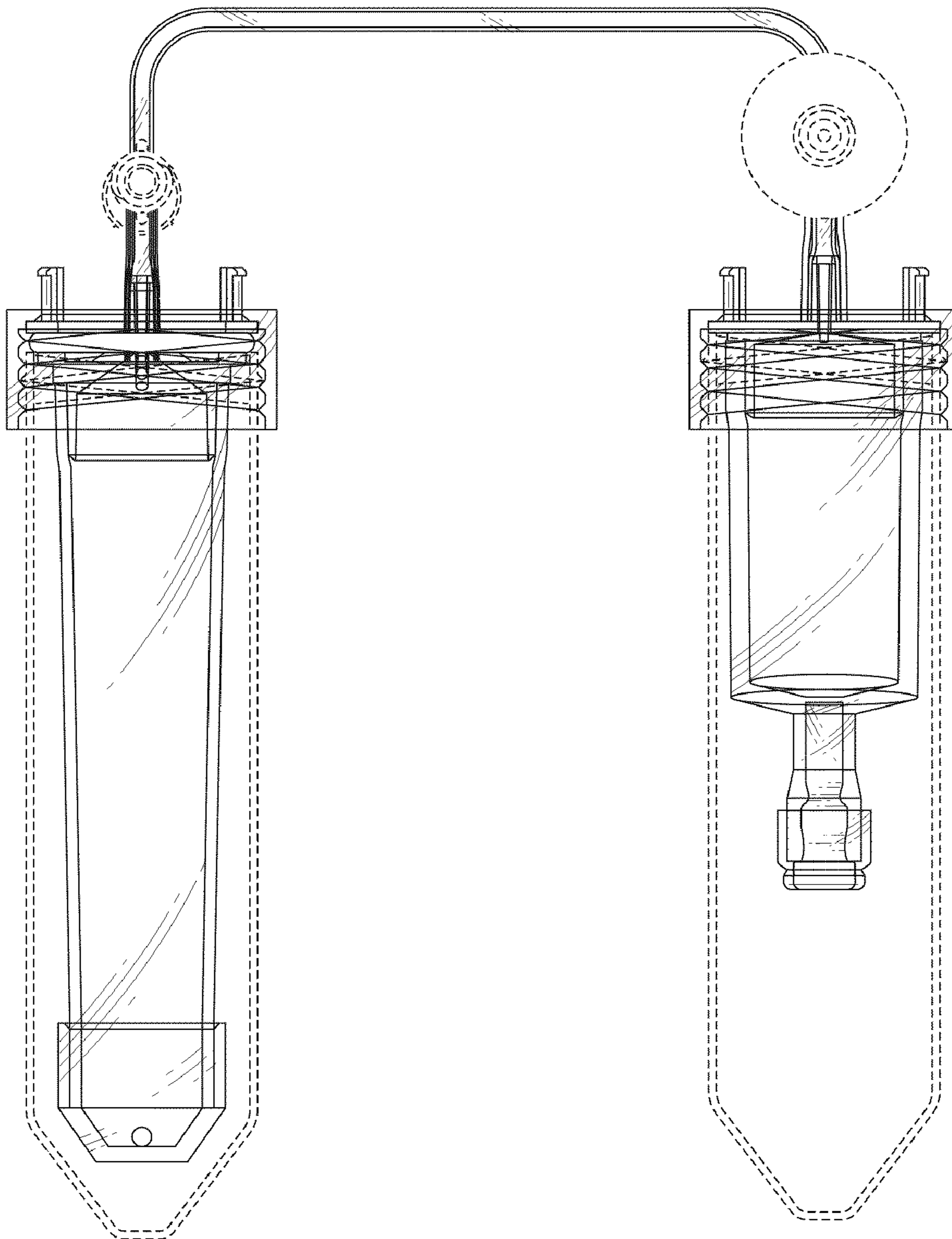


FIG.5



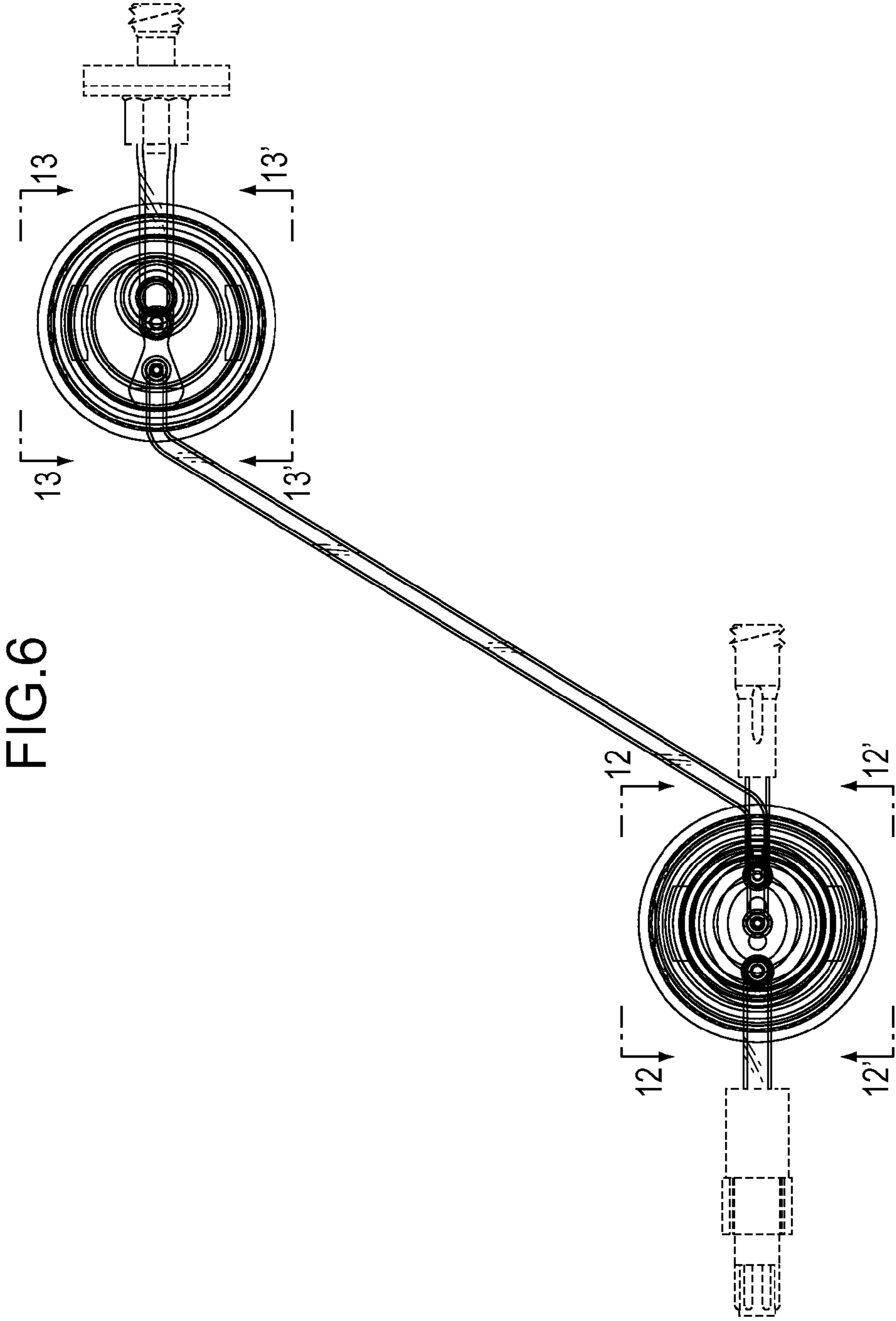
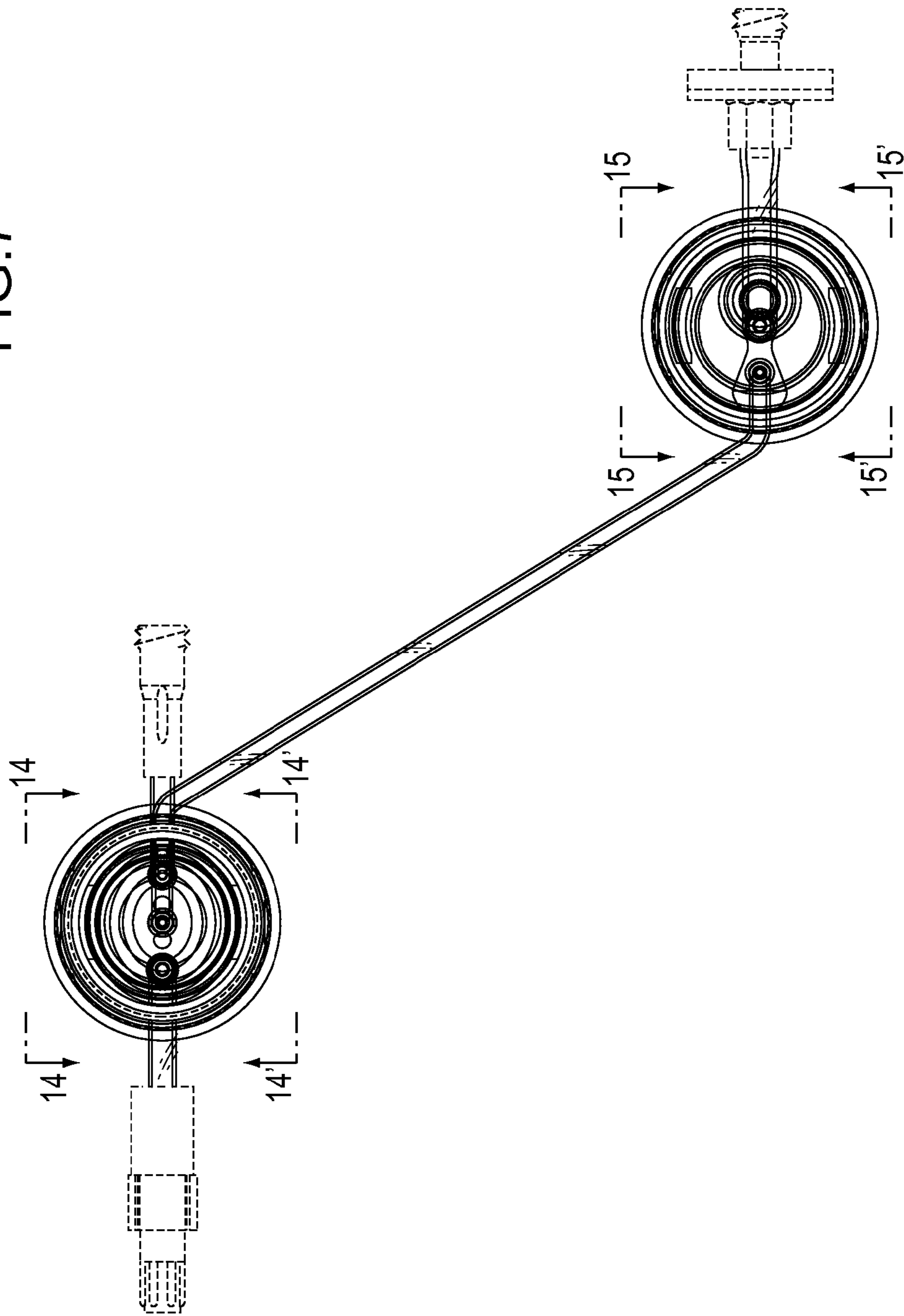


FIG. 6

FIG. 7



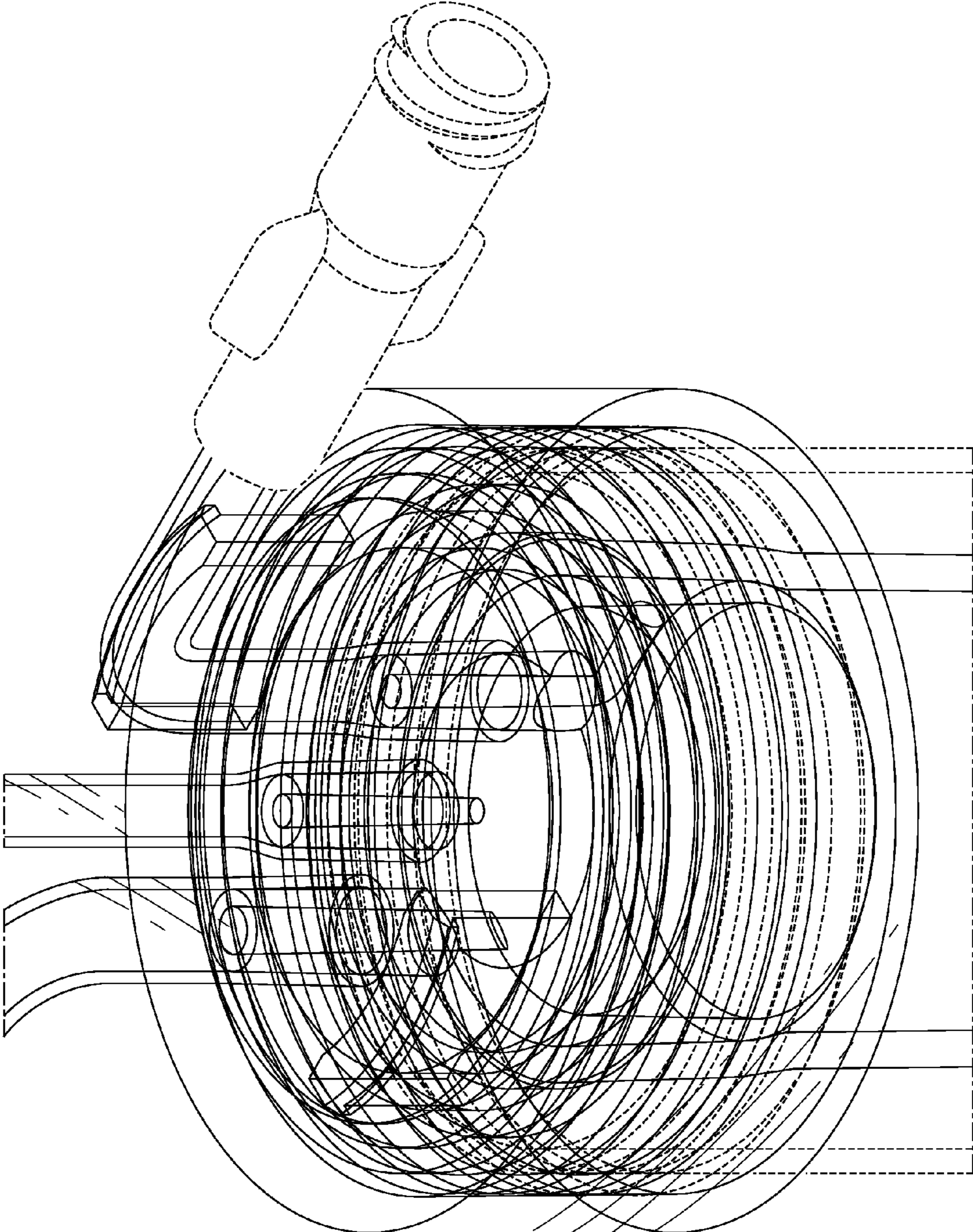


FIG.8

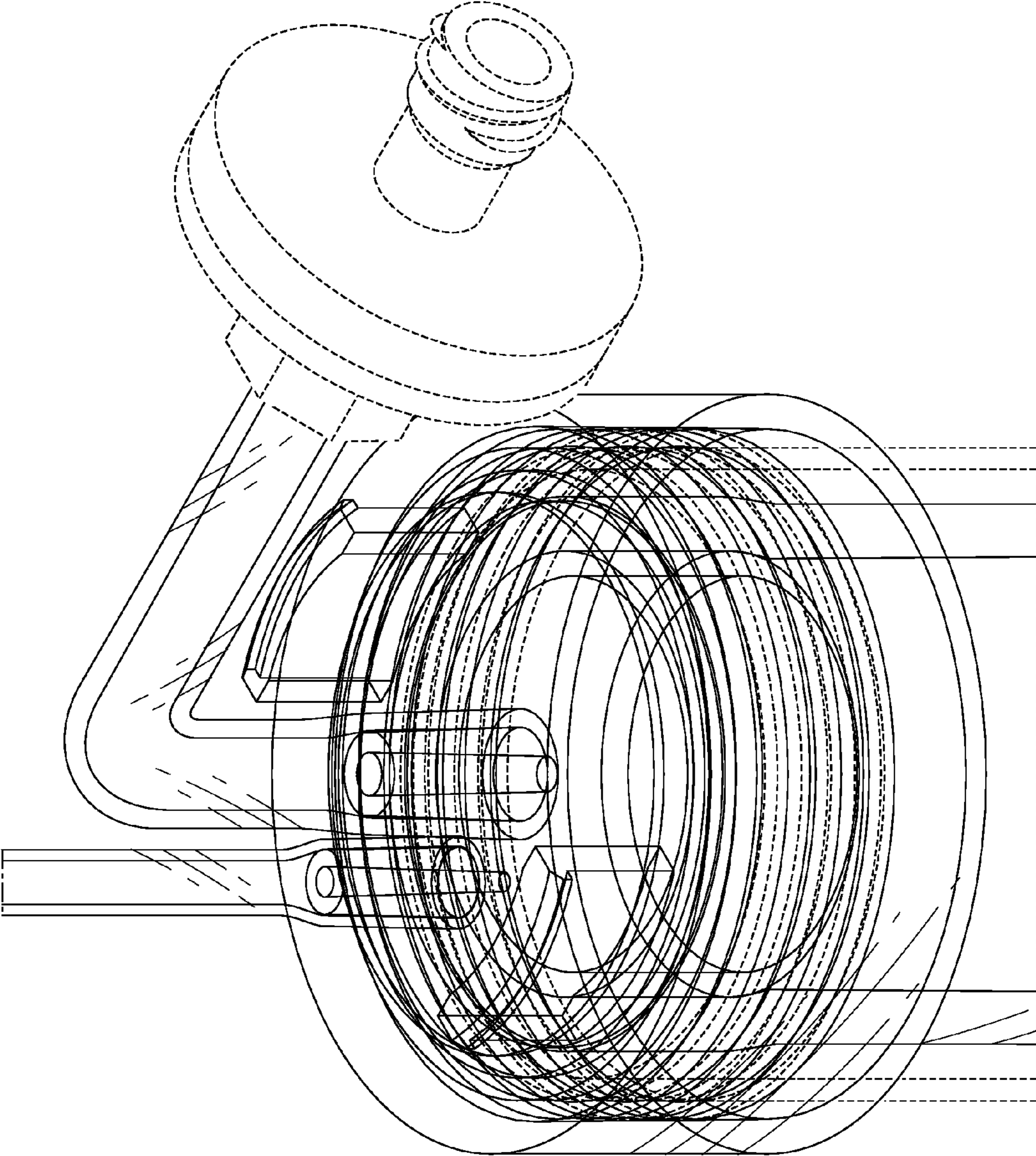


FIG.9

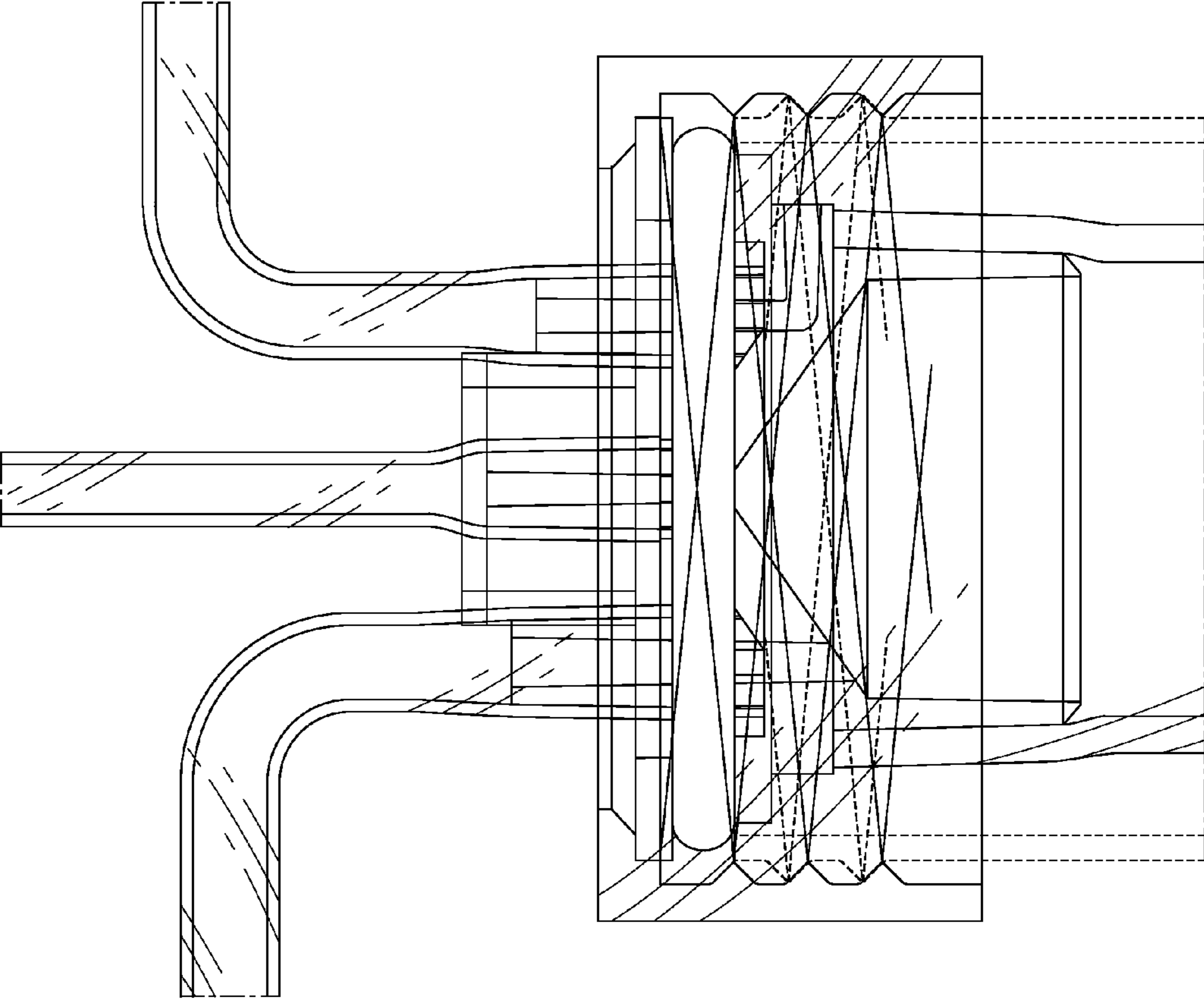


FIG.10

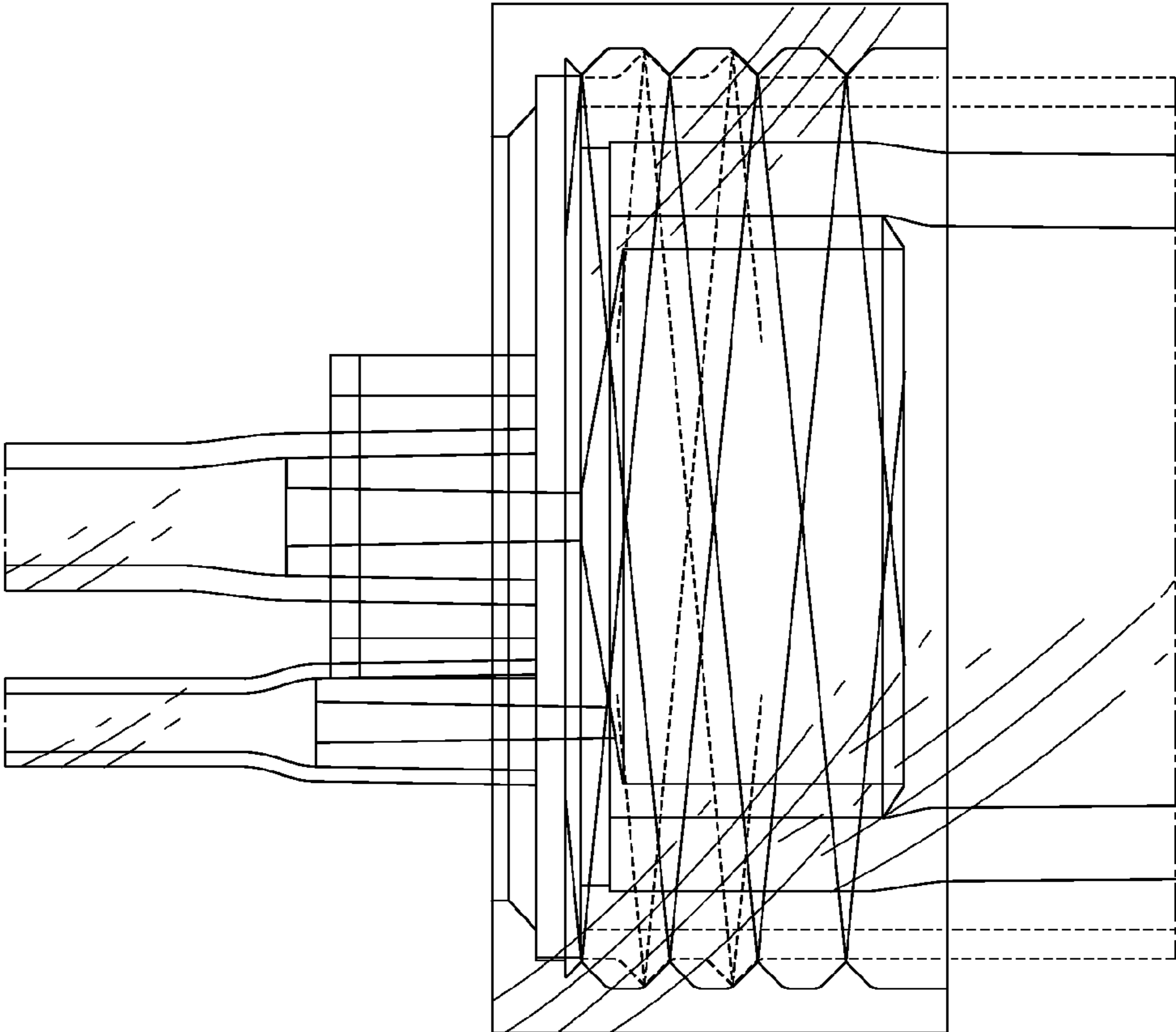


FIG.11

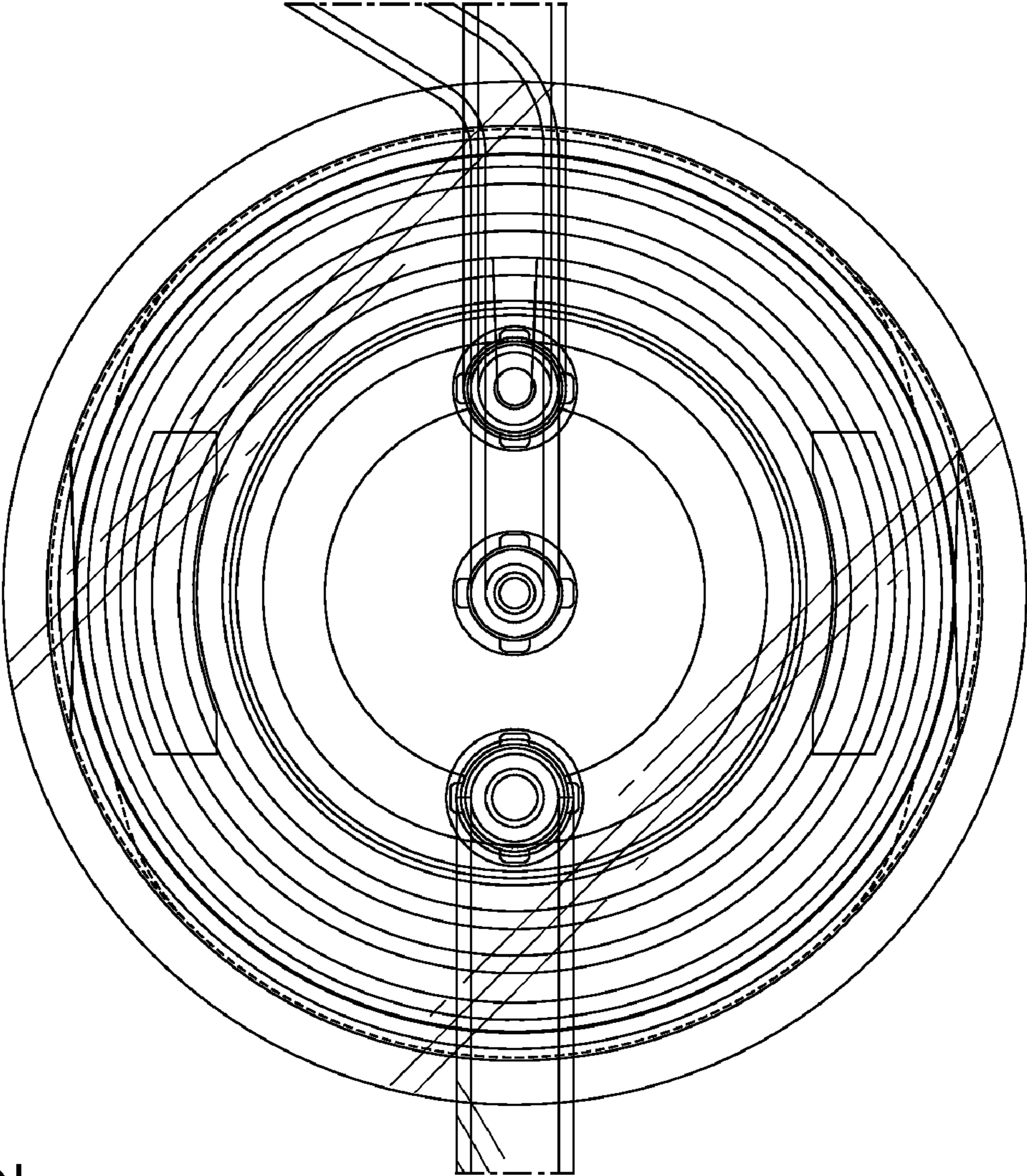


FIG.12

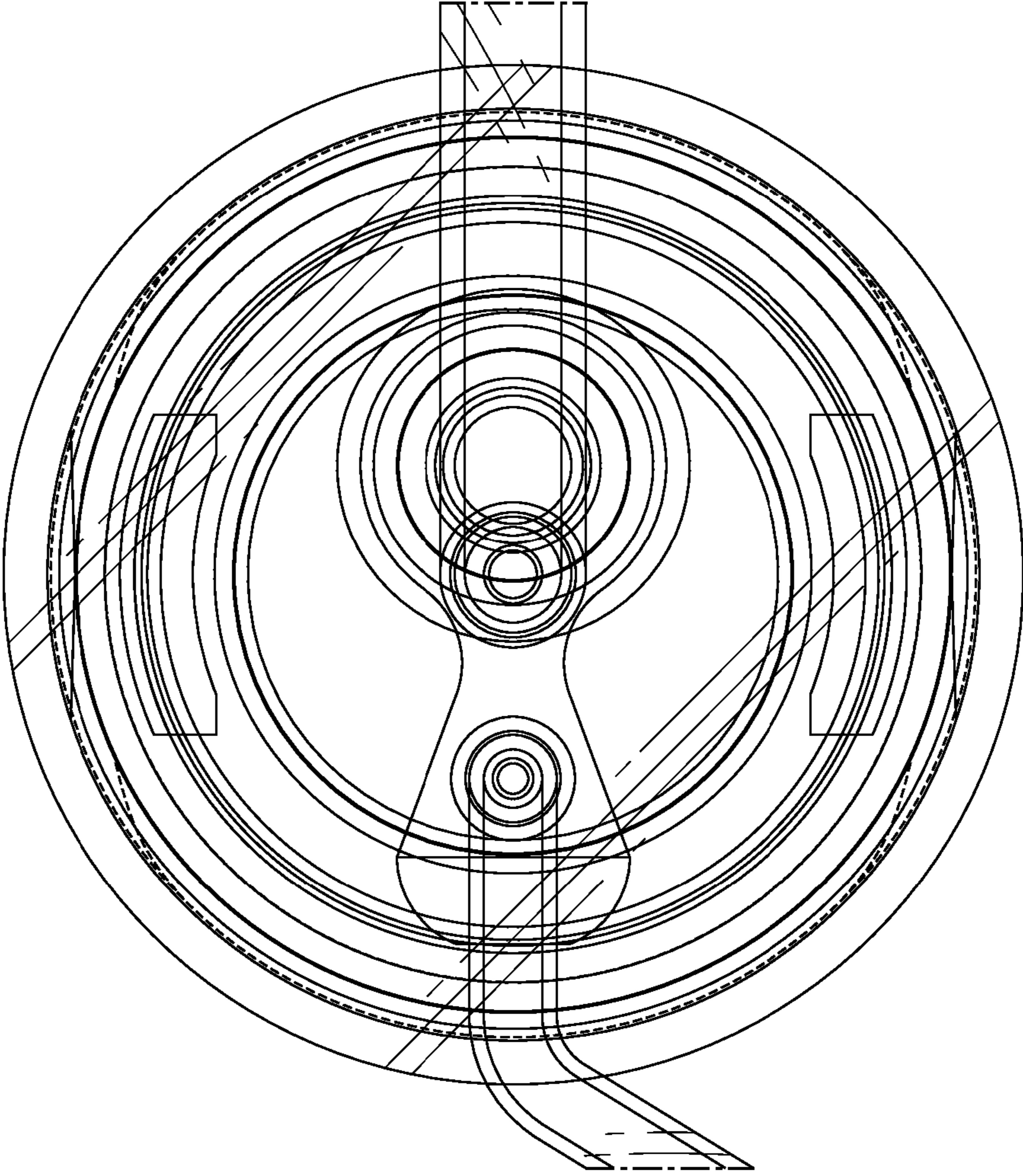


FIG.13

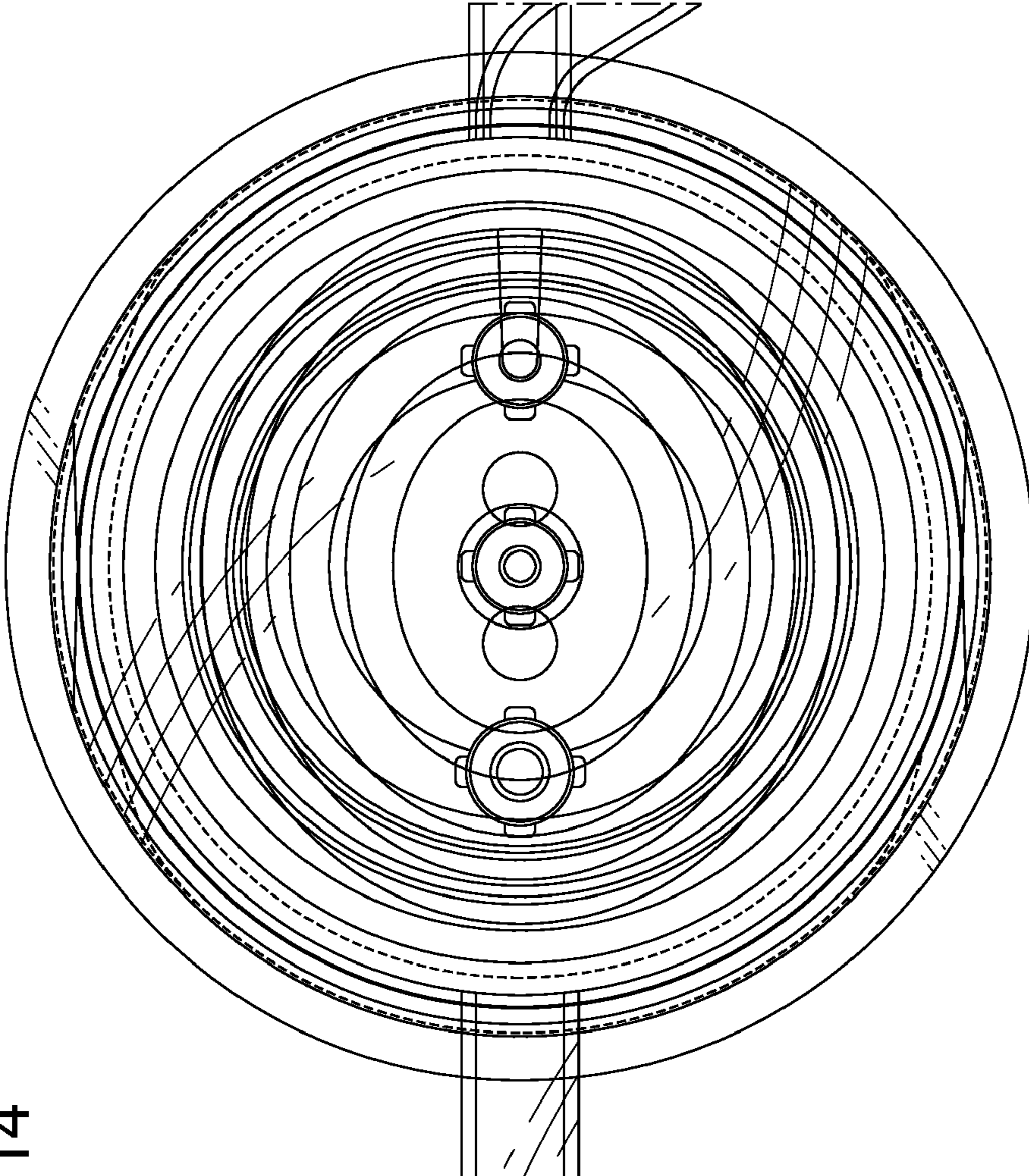


FIG.14

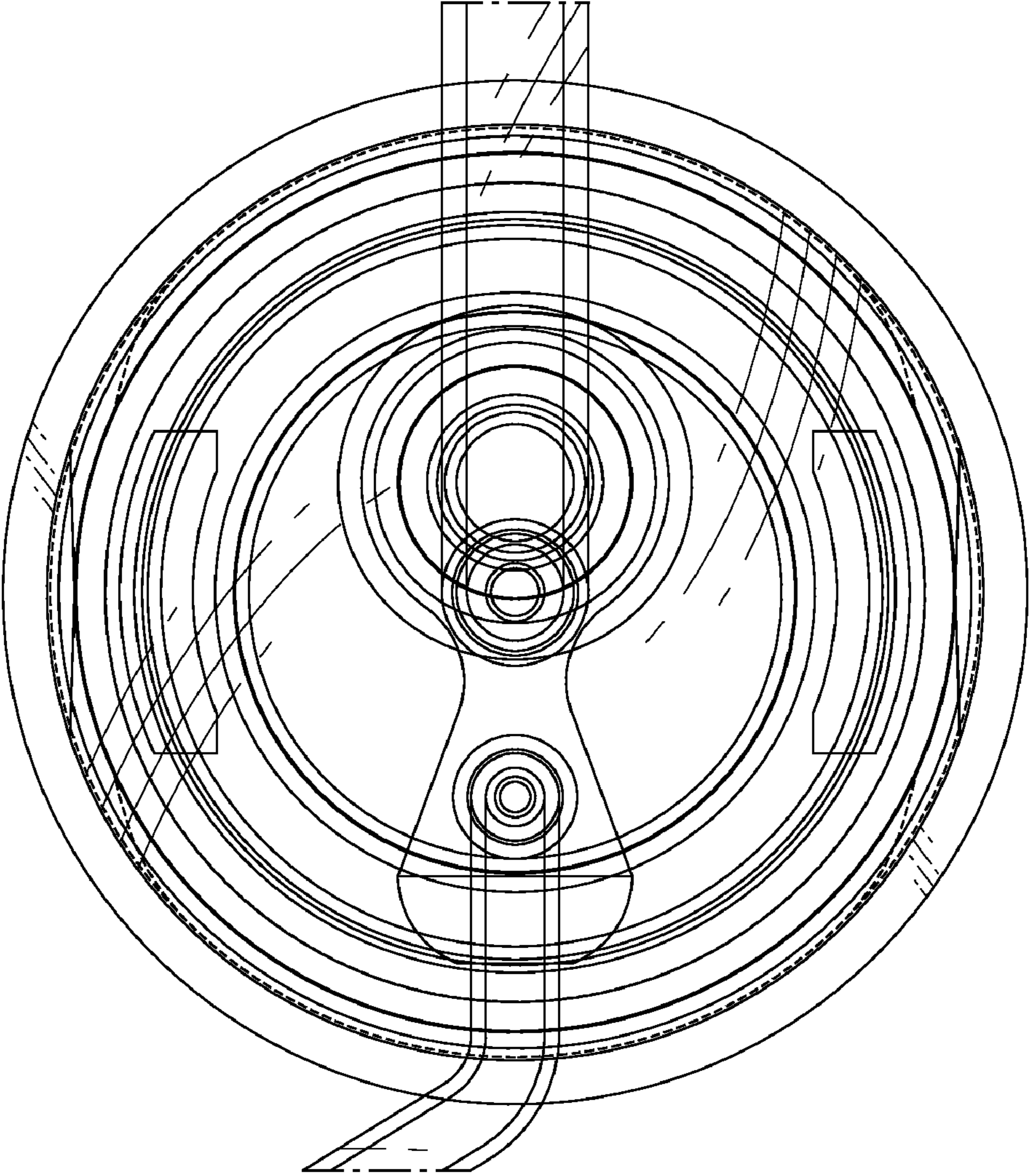


FIG.15