



US00D624167S

(12) **United States Design Patent**
Mishiro et al.

(10) **Patent No.:** **US D624,167 S**

(45) **Date of Patent:** **** Sep. 21, 2010**

(54) **AIR CONDITIONER**

(75) Inventors: **Shigetada Mishiro**, Osaka (JP); **Fumio Yamada**, Osaka (JP); **Akira Otsuki**, Osaka (JP)

(73) Assignee: **Sanyo Electric Co., Ltd.**, Osaka (JP)

(**) Term: **14 Years**

(21) Appl. No.: **29/347,130**

(22) Filed: **Sep. 29, 2009**

(30) **Foreign Application Priority Data**

Mar. 30, 2009 (JP) 2009-007157

(51) **LOC (9) Cl.** **23-04**

(52) **U.S. Cl.** **D23/351**

(58) **Field of Classification Search** D23/351-354, D23/385, 355, 357, 361; 312/236; 62/259.1, 62/259.4, 262-263, 304; 454/330-331, 349-350
See application file for complete search history.

(56) **References Cited**

U.S. PATENT DOCUMENTS

D529,595 S * 10/2006 Ueno et al. D23/351
D553,721 S * 10/2007 Seki et al. D23/351
D565,158 S * 3/2008 Nagahori D23/351
D579,095 S * 10/2008 Nagahori et al. D23/351

D580,037 S * 11/2008 Seki et al. D23/351
D580,038 S * 11/2008 Seki et al. D23/351
D584,806 S * 1/2009 Oh et al. D23/351
D593,666 S * 6/2009 Nakamura D23/351
D599,455 S * 9/2009 Alexanderson D23/351
D605,265 S * 12/2009 Nakamura et al. D23/351
D605,266 S * 12/2009 Nakamura et al. D23/351
D605,267 S * 12/2009 Nakamura et al. D23/351

* cited by examiner

Primary Examiner—Brian N Vinson

(74) *Attorney, Agent, or Firm*—Rabin & Berdo, PC

(57) **CLAIM**

The ornamental design for an air conditioner, as shown and described.

DESCRIPTION

FIG. 1 is a perspective view of an air conditioner showing our new design;

FIG. 2 is a front elevation view thereof;

FIG. 3 is a rear elevation view thereof;

FIG. 4 is a top plan view thereof;

FIG. 5 is a bottom plan view thereof; and,

FIG. 6 is a right side view thereof, the left side view thereof being a mirror image.

1 Claim, 3 Drawing Sheets

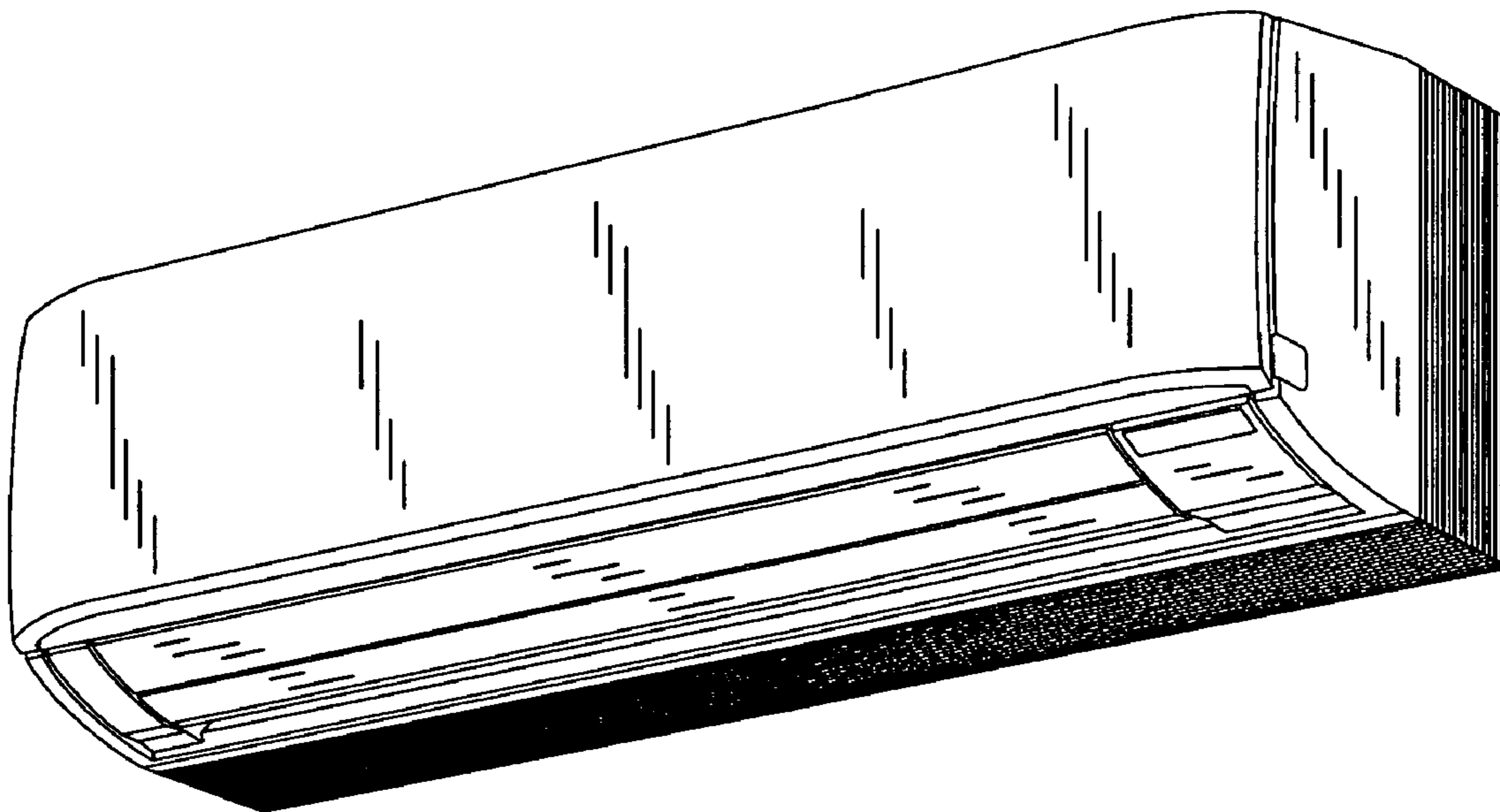


FIG. 1

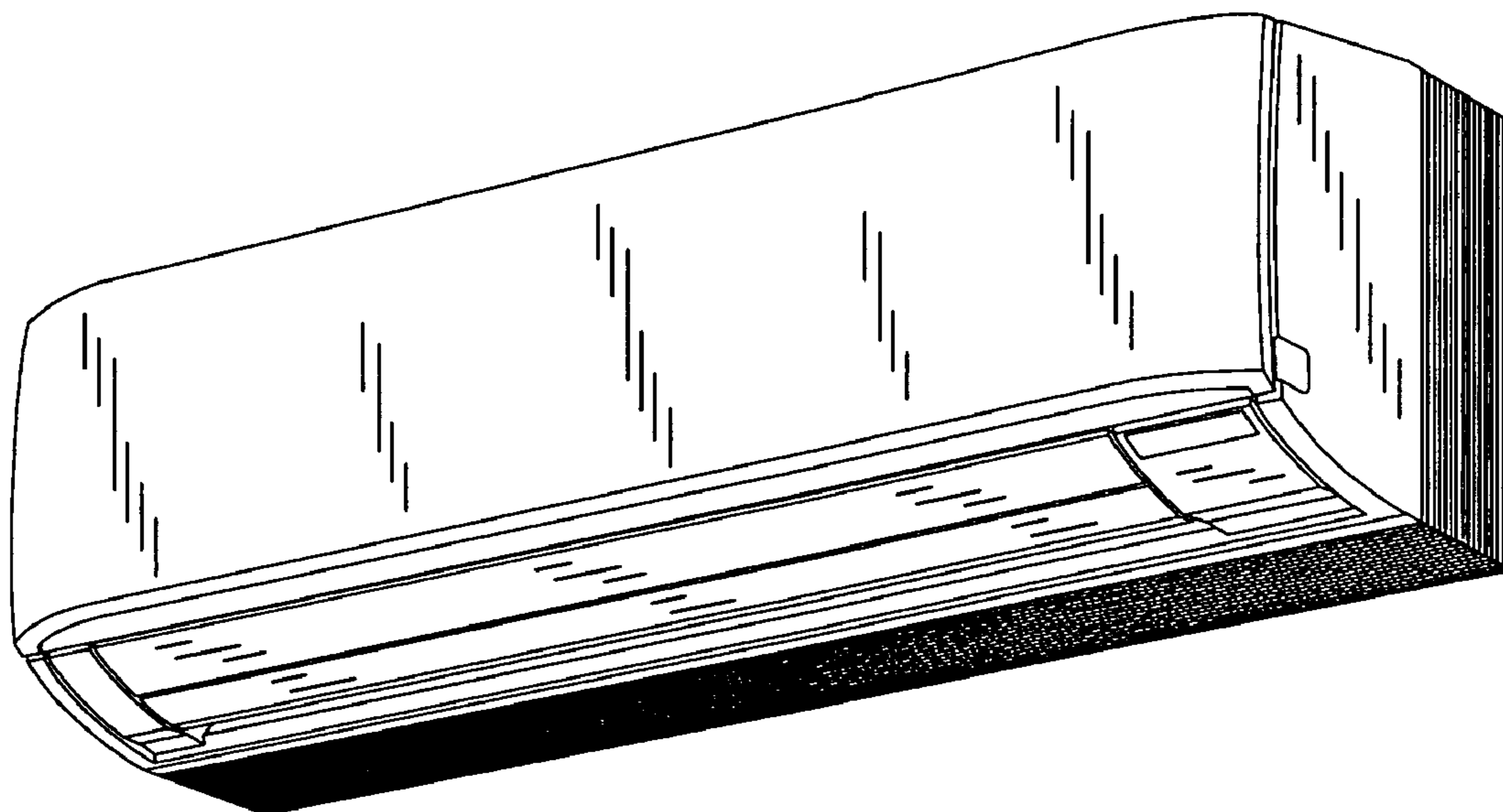


FIG. 2

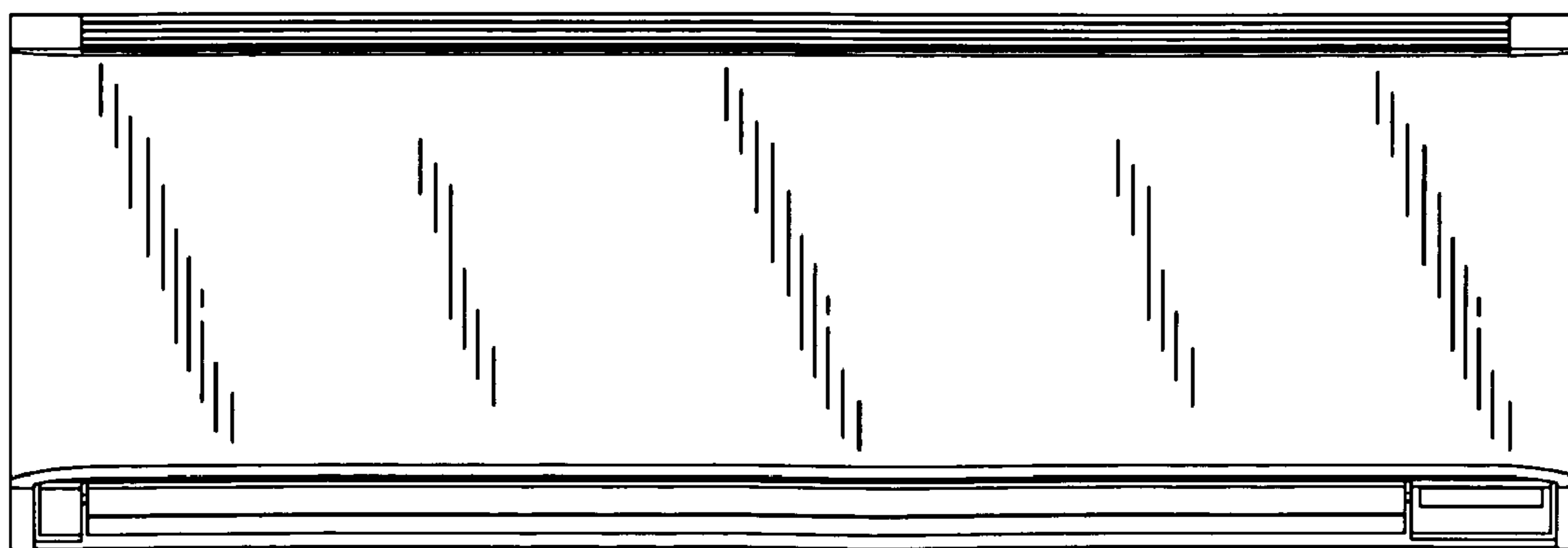


FIG. 3

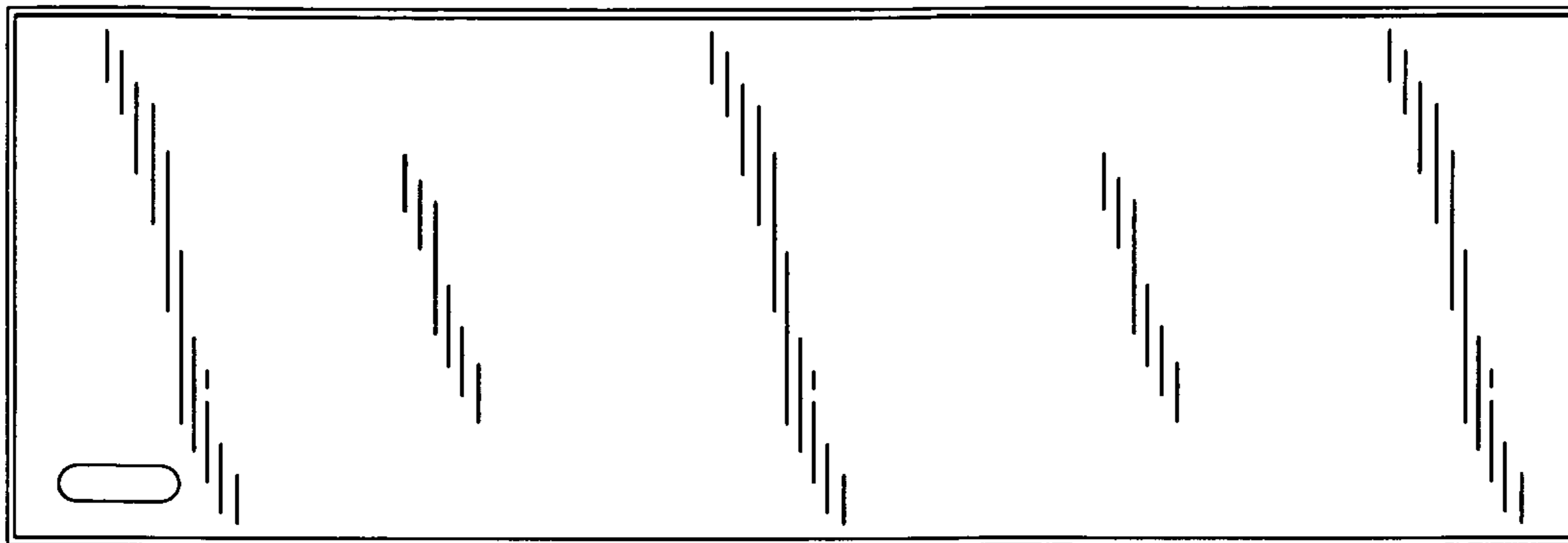


FIG. 4

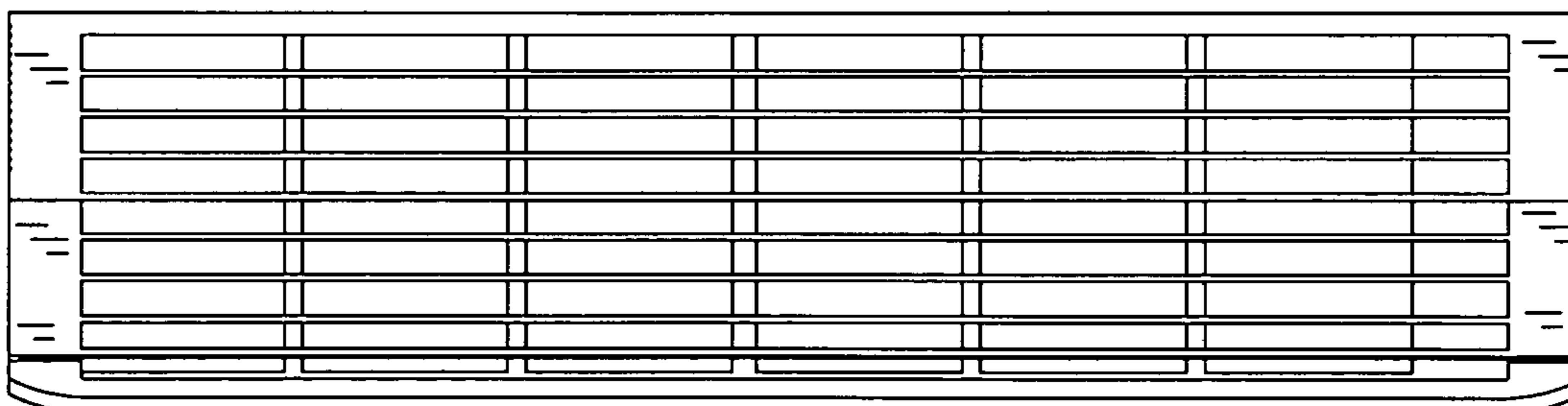


FIG. 5

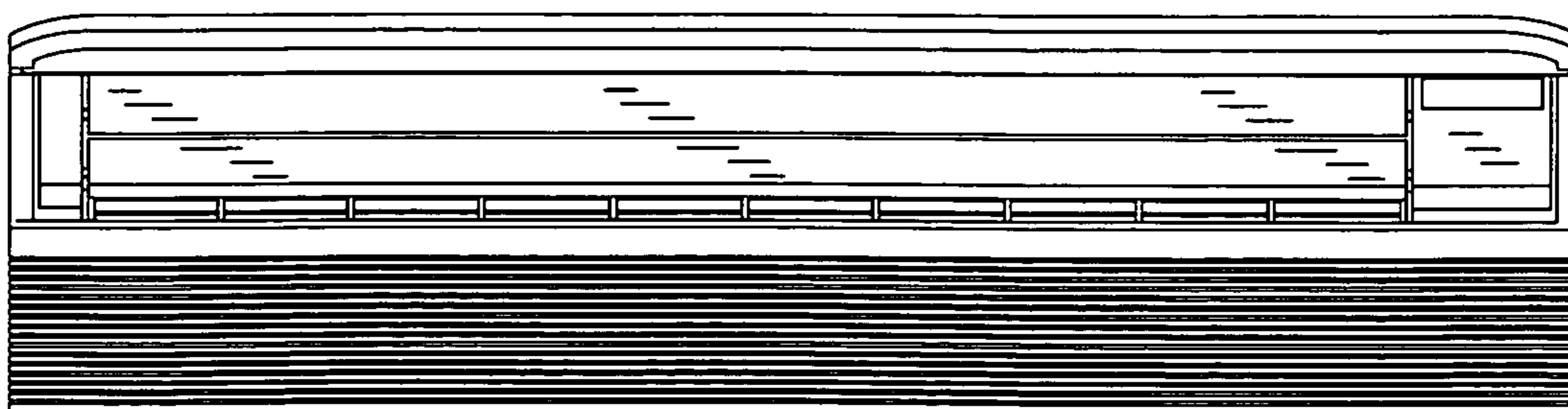


FIG. 6

