



US00D624164S

(12) **United States Design Patent**  
**Kakihana et al.**

(10) **Patent No.:** **US D624,164 S**

(45) **Date of Patent:** **\*\* Sep. 21, 2010**

(54) **LAVATORY**

D606,177 S \* 12/2009 Urquiola ..... D23/293.1

(75) Inventors: **Hajime Kakihana**, Morrow, GA (US);  
**James Piatt**, Los Angeles, CA (US)

\* cited by examiner

*Primary Examiner*—Robert A Delehanty

(73) Assignee: **Toto Ltd.**, Kitakyushu-Shi (JP)

(74) *Attorney, Agent, or Firm*—Birch, Stewart, Kolasch & Birch, LLP

(\*\*) Term: **14 Years**

(57) **CLAIM**

(21) Appl. No.: **29/336,211**

The ornamental design for a lavatory, as shown and described.

(22) Filed: **Apr. 29, 2009**

**DESCRIPTION**

(51) **LOC (9) Cl.** ..... **23-02**

(52) **U.S. Cl.** ..... **D23/293.1**

(58) **Field of Classification Search** ..... D23/284–285,  
D23/293.1, 308; 4/619, 631, 650, 660  
See application file for complete search history.

FIG. 1 is a perspective view of the top, front and right side of a lavatory showing our new design;

FIG. 2 is a front view thereof;

FIG. 3 is a rear view thereof;

FIG. 4 is a top plan view thereof;

FIG. 5 is a bottom view thereof;

FIG. 6 is a left side view thereof; and,

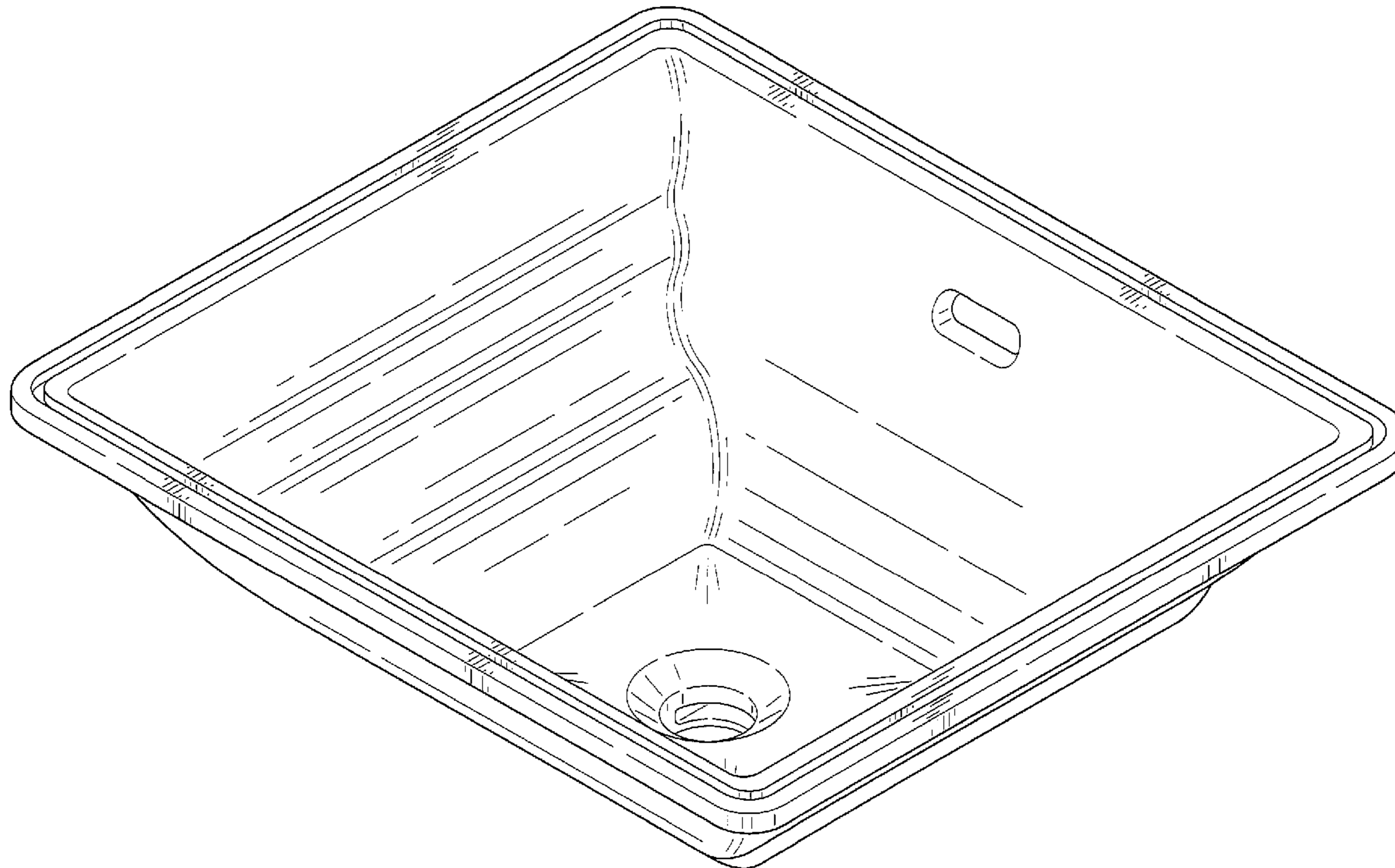
FIG. 7 is a right side view thereof.

(56) **References Cited**

U.S. PATENT DOCUMENTS

- D537,149 S \* 2/2007 Douglass et al. .... D23/284
- D537,924 S \* 3/2007 Bates ..... D23/293.1
- D545,417 S \* 6/2007 Tani et al. .... D23/293.1
- D588,682 S \* 3/2009 Maruhashi ..... D23/293.1

**1 Claim, 5 Drawing Sheets**



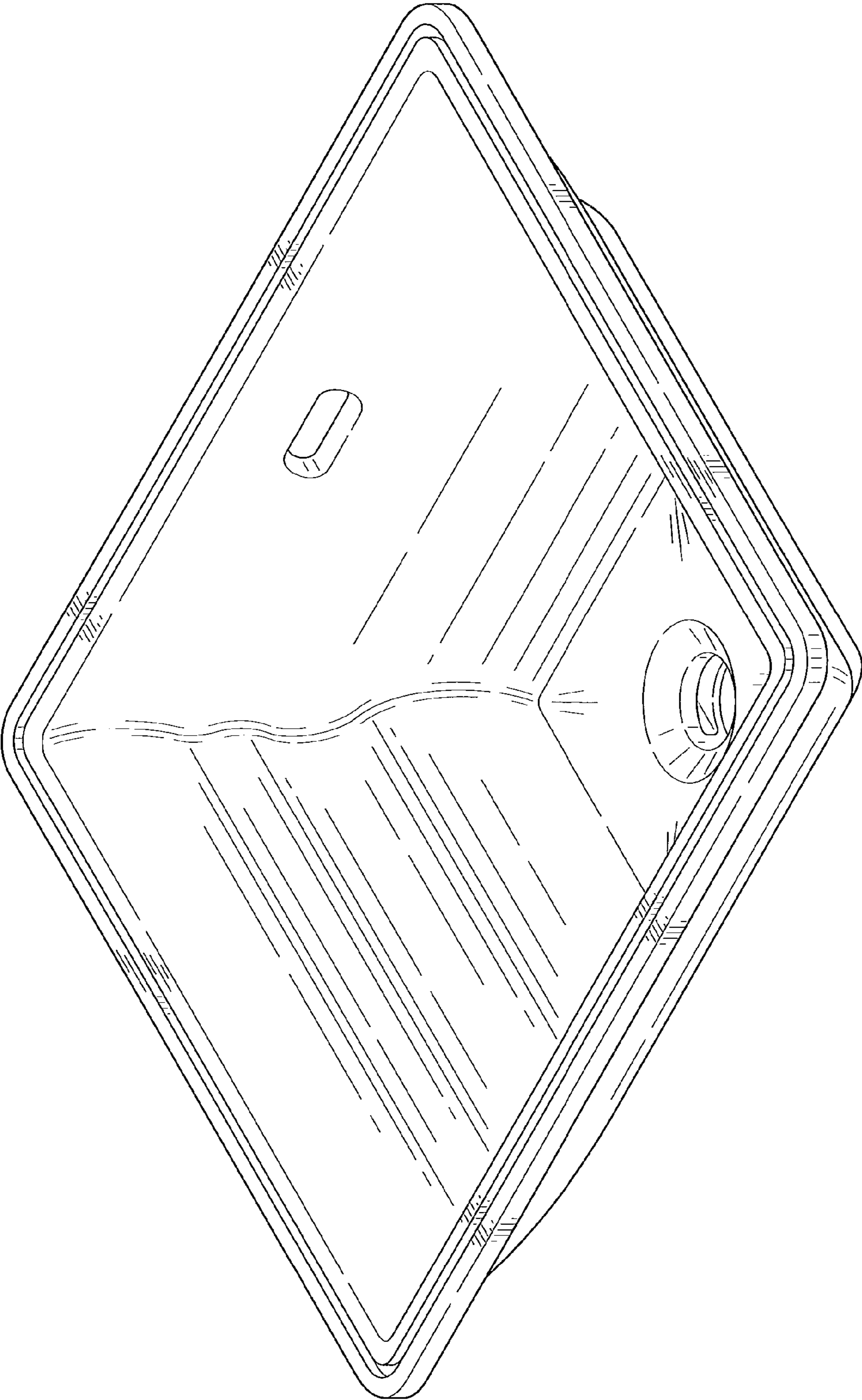
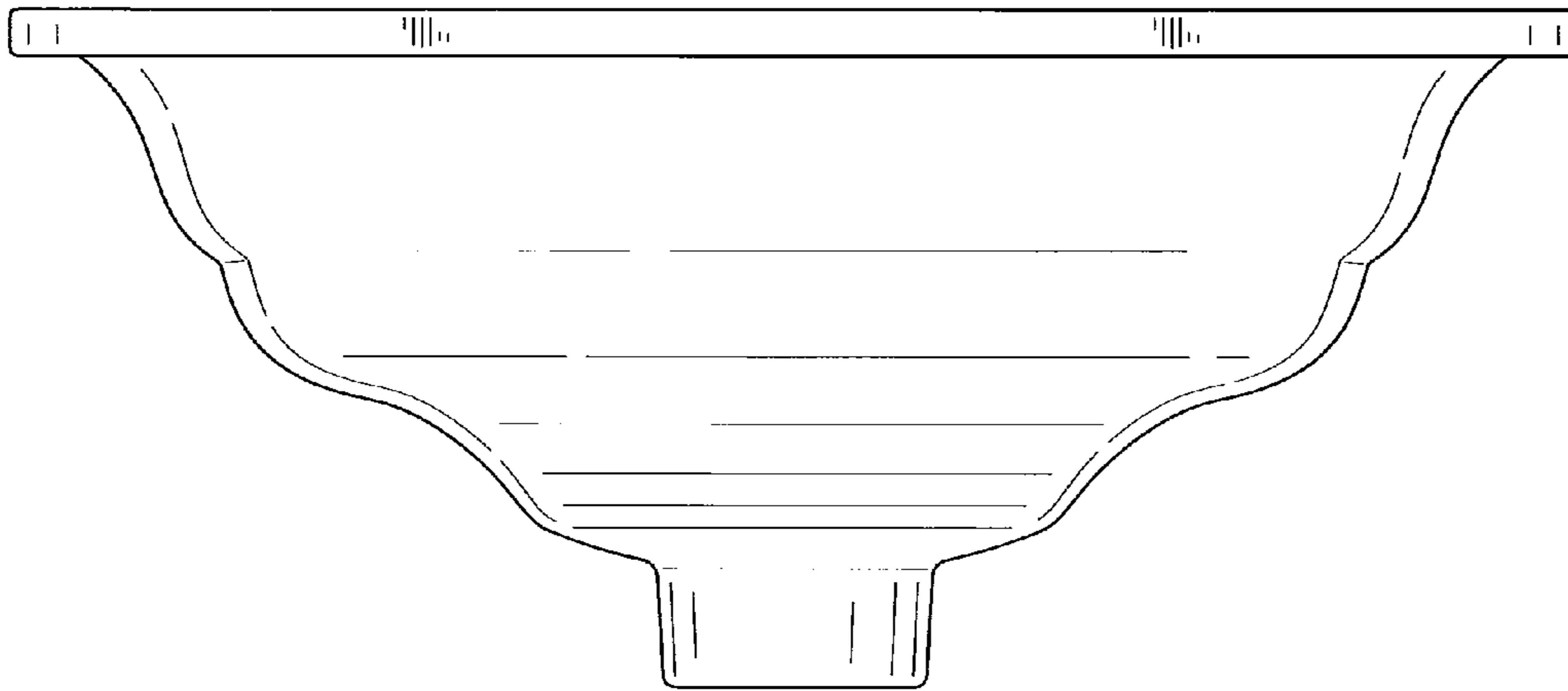
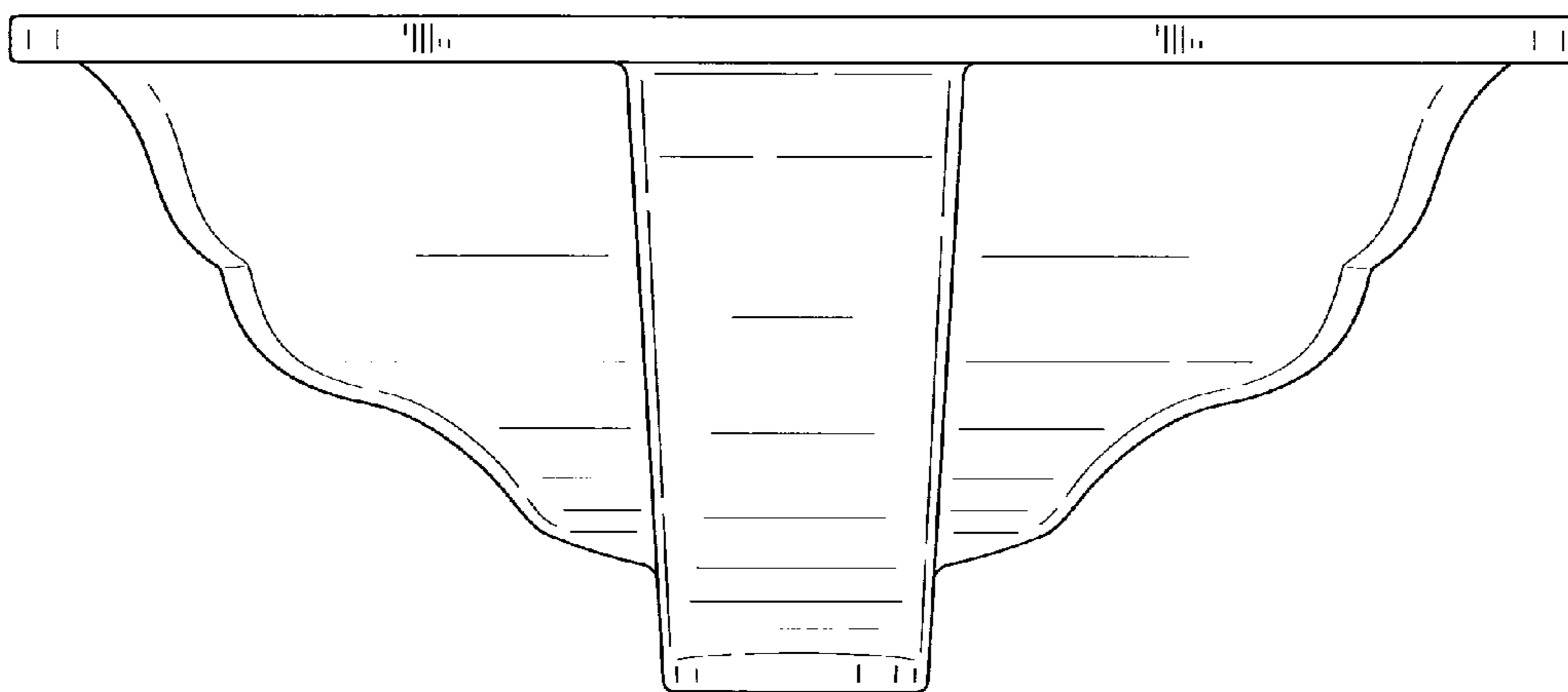


FIG. 1



*FIG. 2*



*FIG. 3*

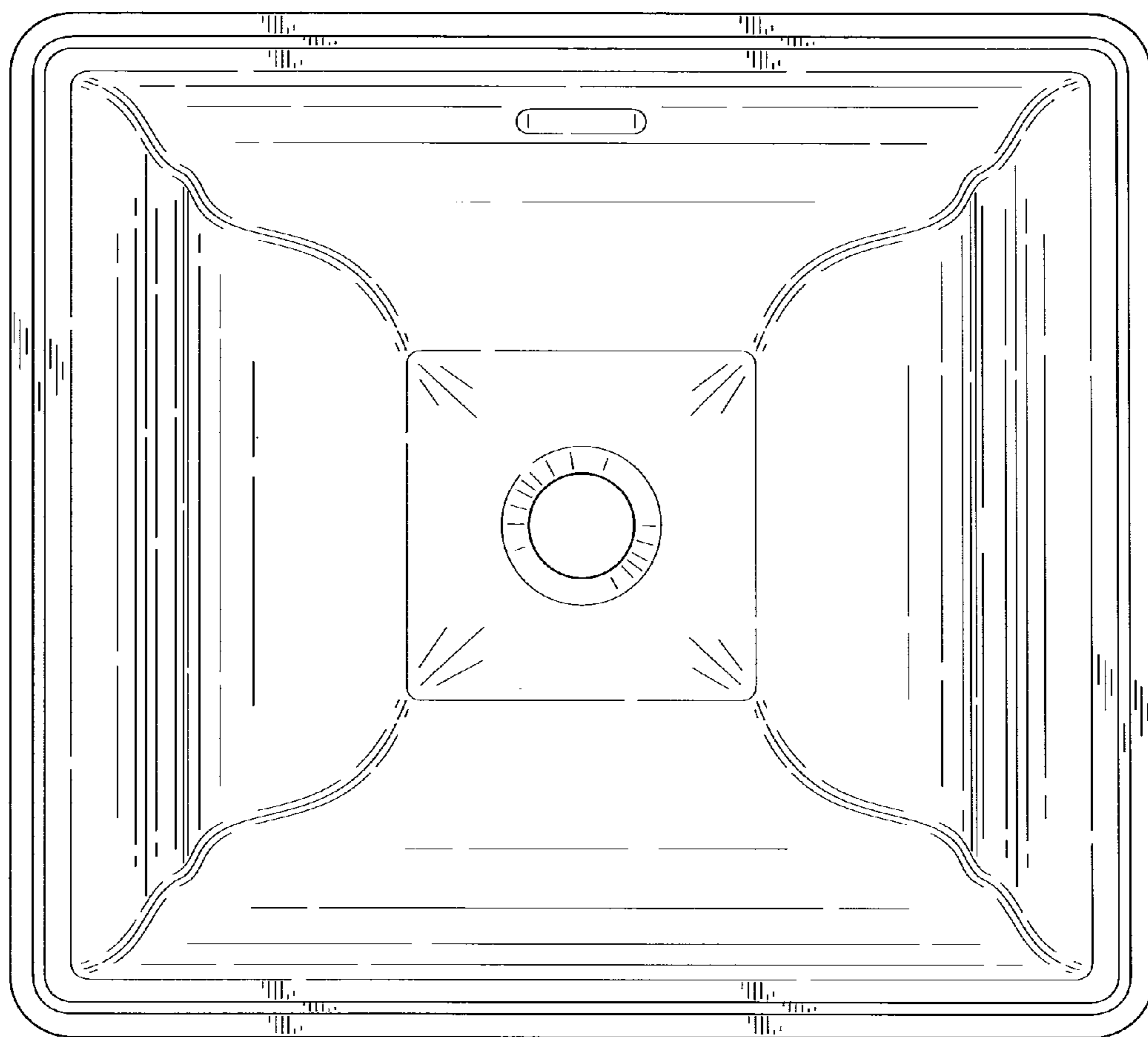


FIG. 4

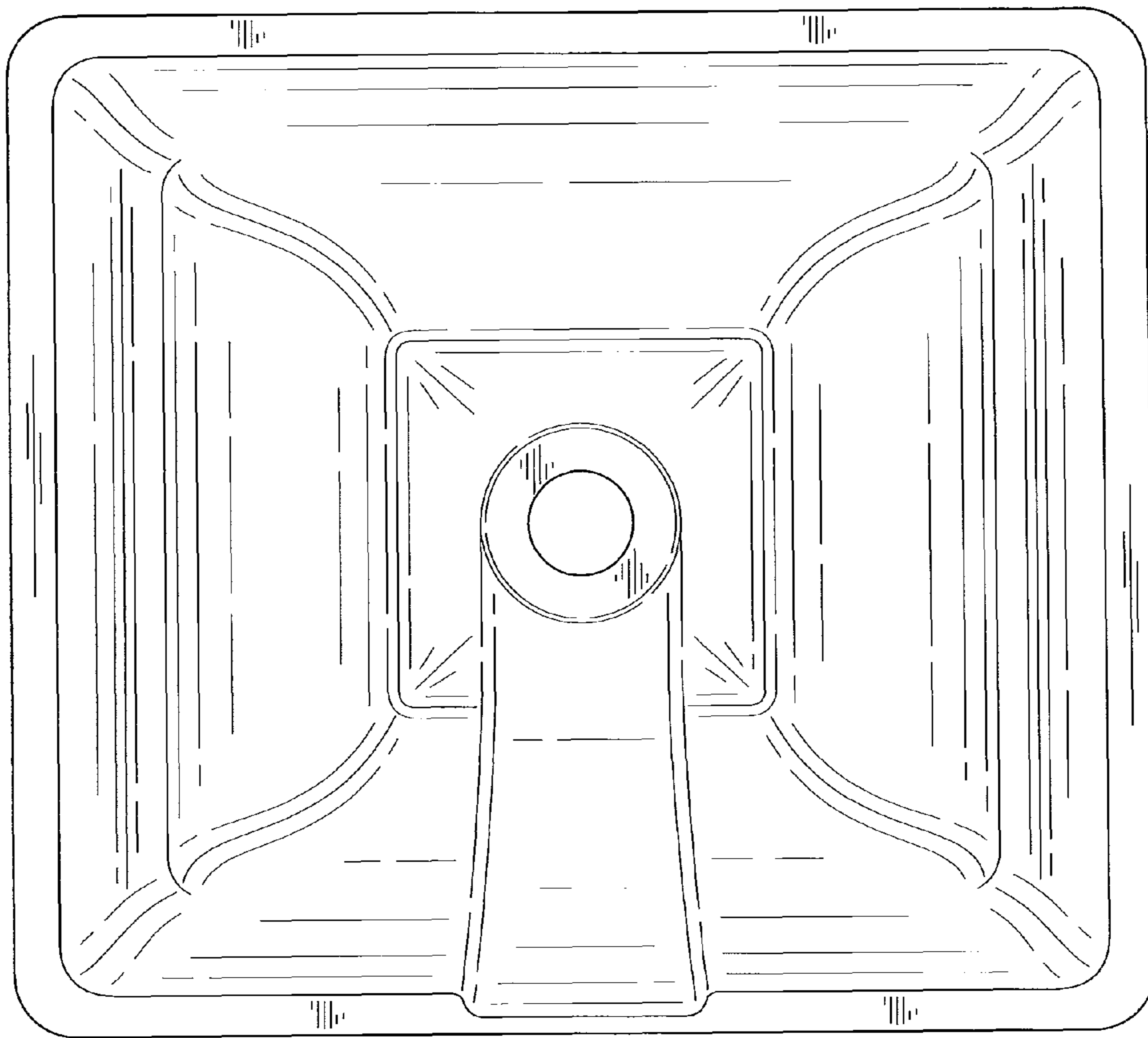
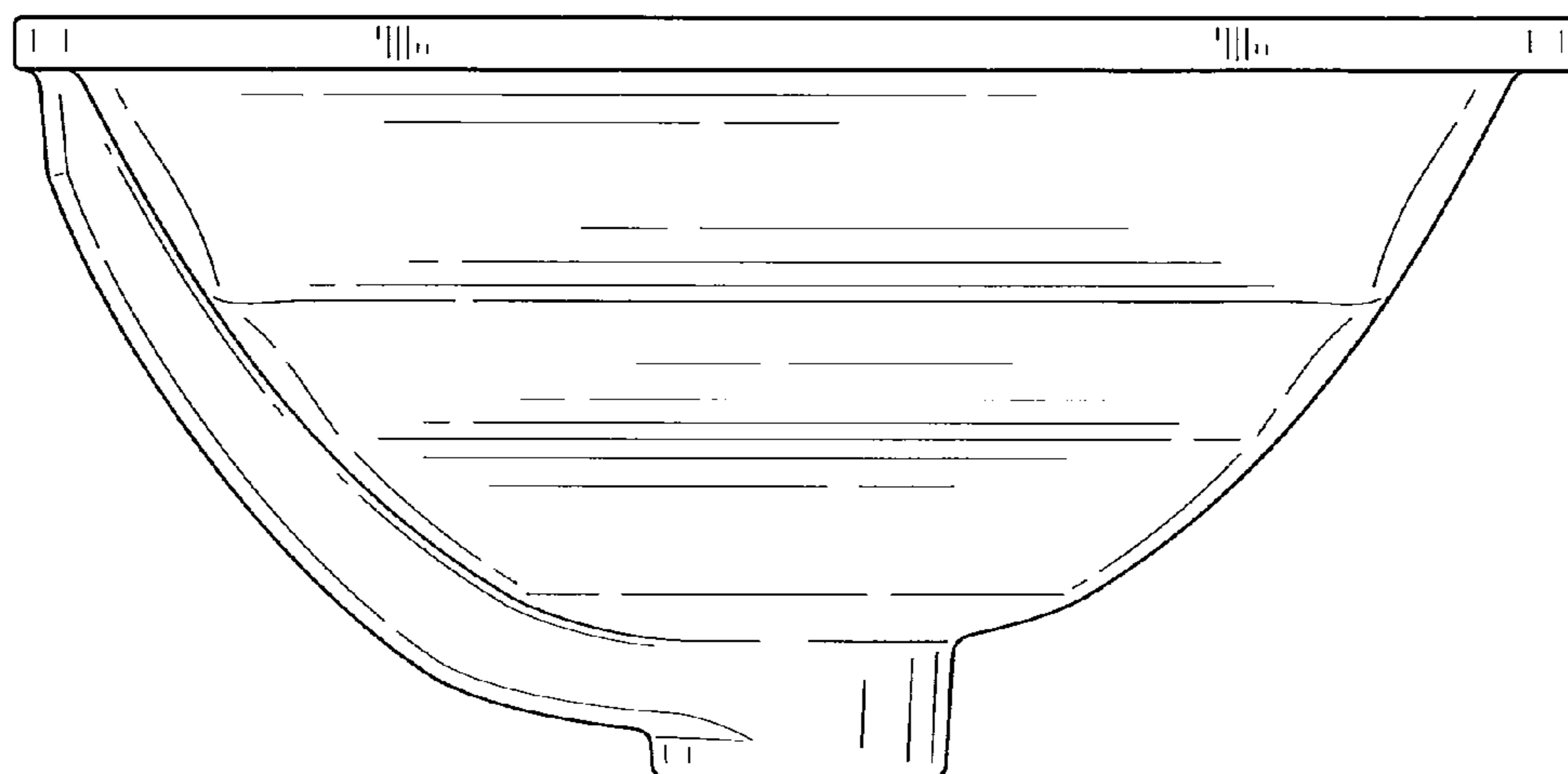
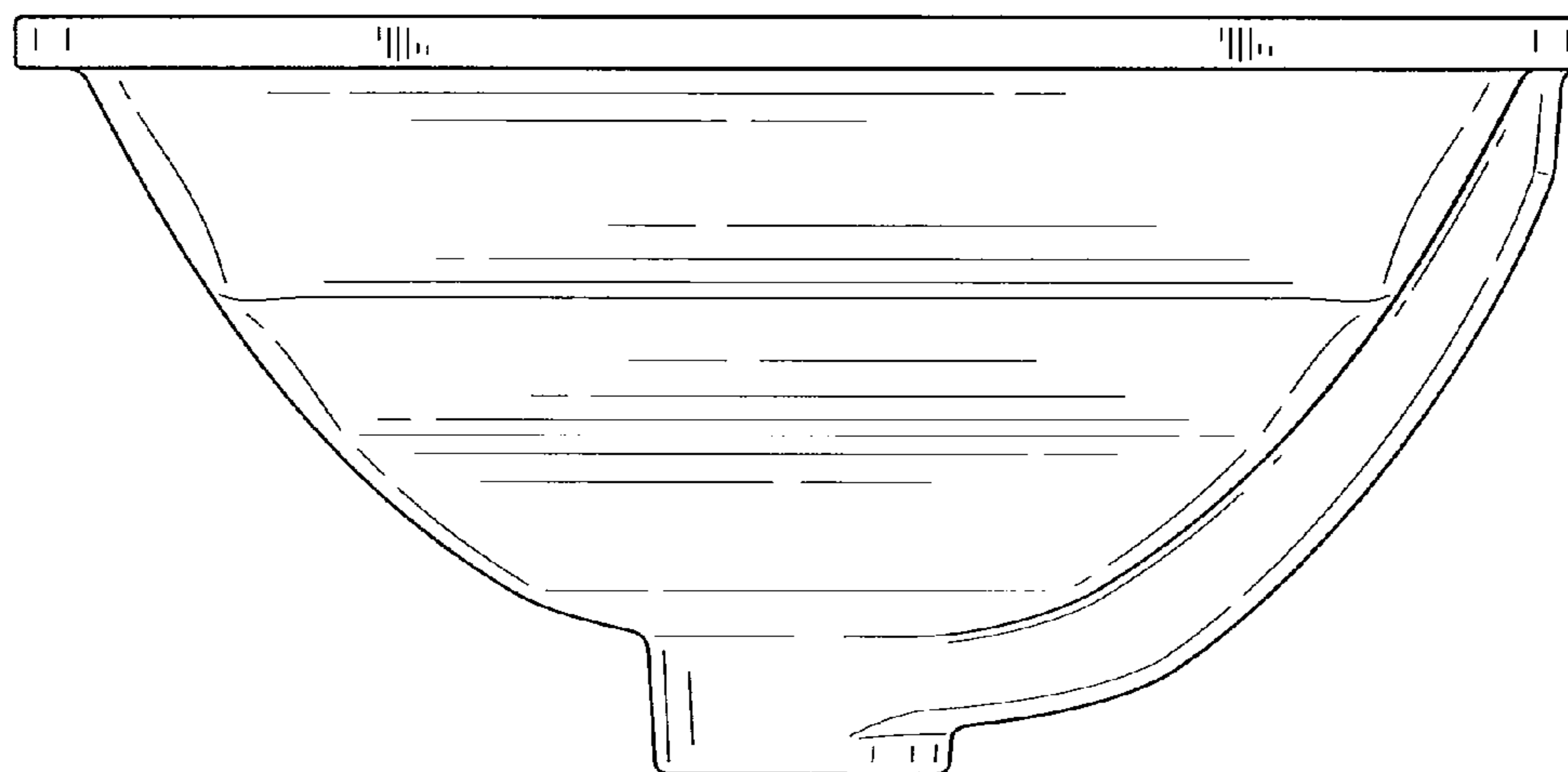


FIG. 5



*FIG. 6*



*FIG. 7*