



US00D624162S

(12) **United States Design Patent**
Bouroullec et al.

(10) **Patent No.:** **US D624,162 S**

(45) **Date of Patent:** **** Sep. 21, 2010**

(54) **BATHTUB**

(75) Inventors: **Erwan Bouroullec**, Paris (FR); **Ronan Bouroullec**, Paris (FR)

(73) Assignee: **Hansgrohe AG**, Schiltach (DE)

(**) Term: **14 Years**

(21) Appl. No.: **29/342,203**

(22) Filed: **Aug. 20, 2009**

(30) **Foreign Application Priority Data**

Jun. 3, 2009 (EM) 001101125-0035

(51) **LOC (9) Cl.** **23-02**

(52) **U.S. Cl.** **D23/277**

(58) **Field of Classification Search** D23/277,
D23/279-280.3, 283, 304-305; 4/538, 557-558;
D24/204-205

See application file for complete search history.

(56) **References Cited**

U.S. PATENT DOCUMENTS

D233,343 S * 10/1974 Meyers D23/280.1

D533,644 S * 12/2006 Talocci D23/277

D561,309 S * 2/2008 Talocci D23/277

OTHER PUBLICATIONS

Brochure—Novellini, 3 pgs., Novellini Diffusion France Sarl, Paris, France (at least as early as Feb. 4, 2002).

Brochure—Grandform idroterapia da sempre Classic, 3 pgs., SFA Italia spa, Siziano (PV), Italy (at least as early as Feb. 28, 2006).

Brochure—Grandform idroterapia da sempre Classic, 3 pgs., SFA Italia spa, Siziano (PV), Italy (at least as early as Feb. 28, 2006).

Brochure—Novellini, 3 pgs., Novellini S.p.A., Romanore di Borgoforte (MN), Italy (at least as early as Feb. 28, 2006).

* cited by examiner

Primary Examiner—Robert A Delehanty

(74) *Attorney, Agent, or Firm*—Nirav D. Parikh; Edgar A. Zarins

(57) **CLAIM**

The ornamental design for a bathtub, as shown and described.

DESCRIPTION

FIG. 1 is a perspective view of a bathtub showing our design;

FIG. 2 is a front elevational view thereof;

FIG. 3 is a rear elevational view thereof;

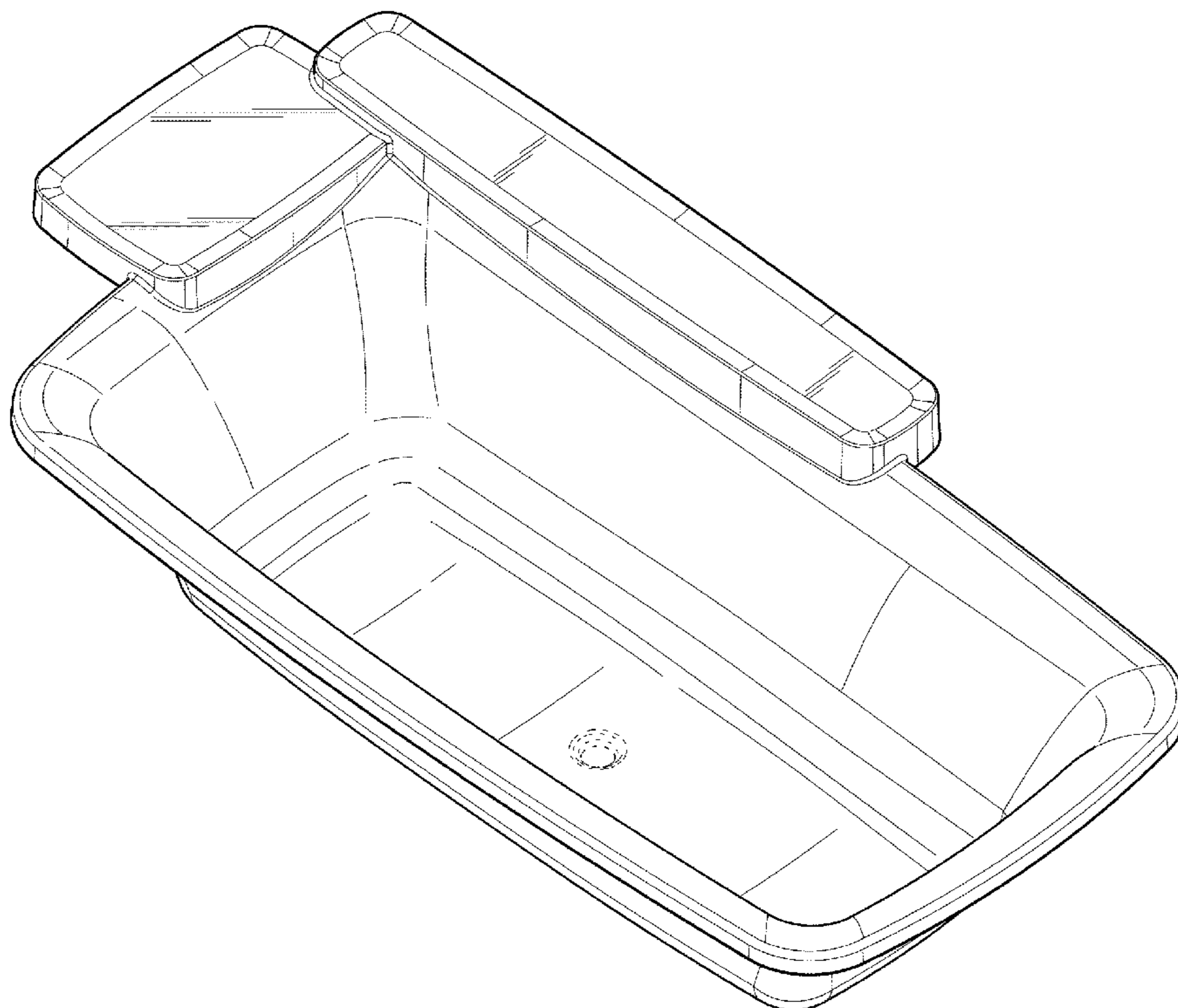
FIG. 4 is a left side elevational view thereof;

FIG. 5 is a right side elevational view thereof; and,

FIG. 6 is a top plan view thereof.

The broken lines in the drawings represent unclaimed portions of the bathtub and form no part thereof.

1 Claim, 6 Drawing Sheets



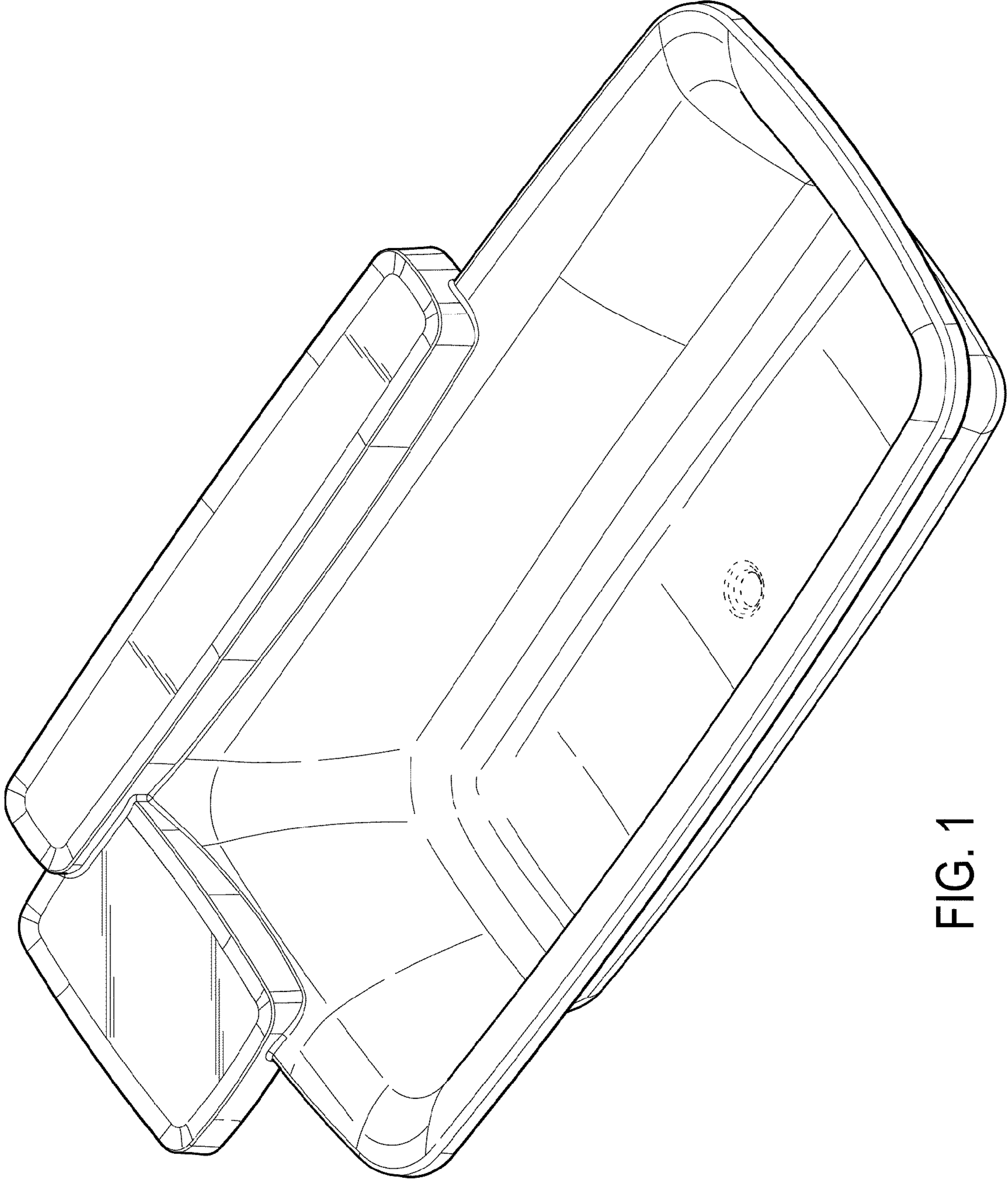


FIG. 1

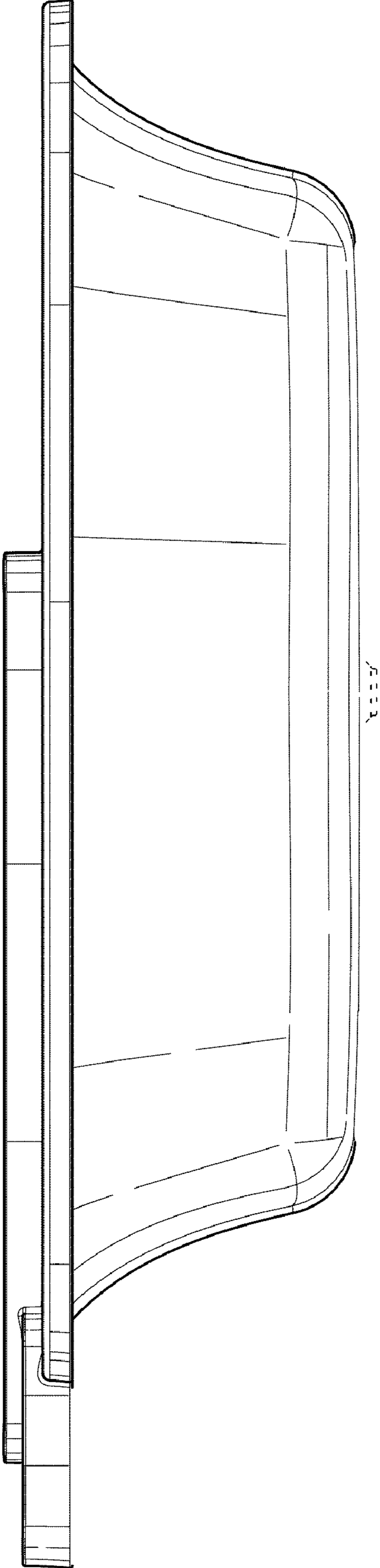


FIG. 2

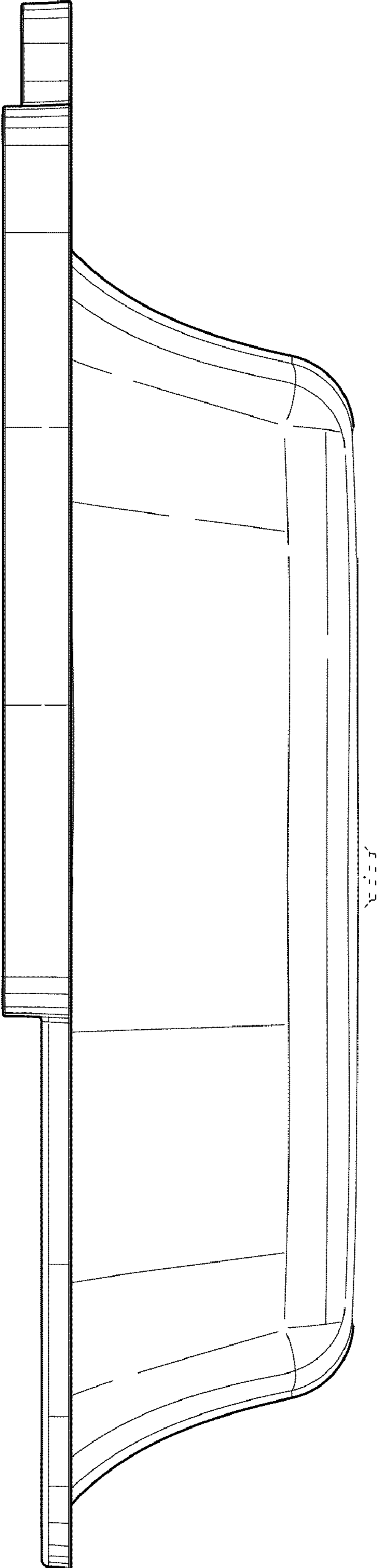


FIG. 3

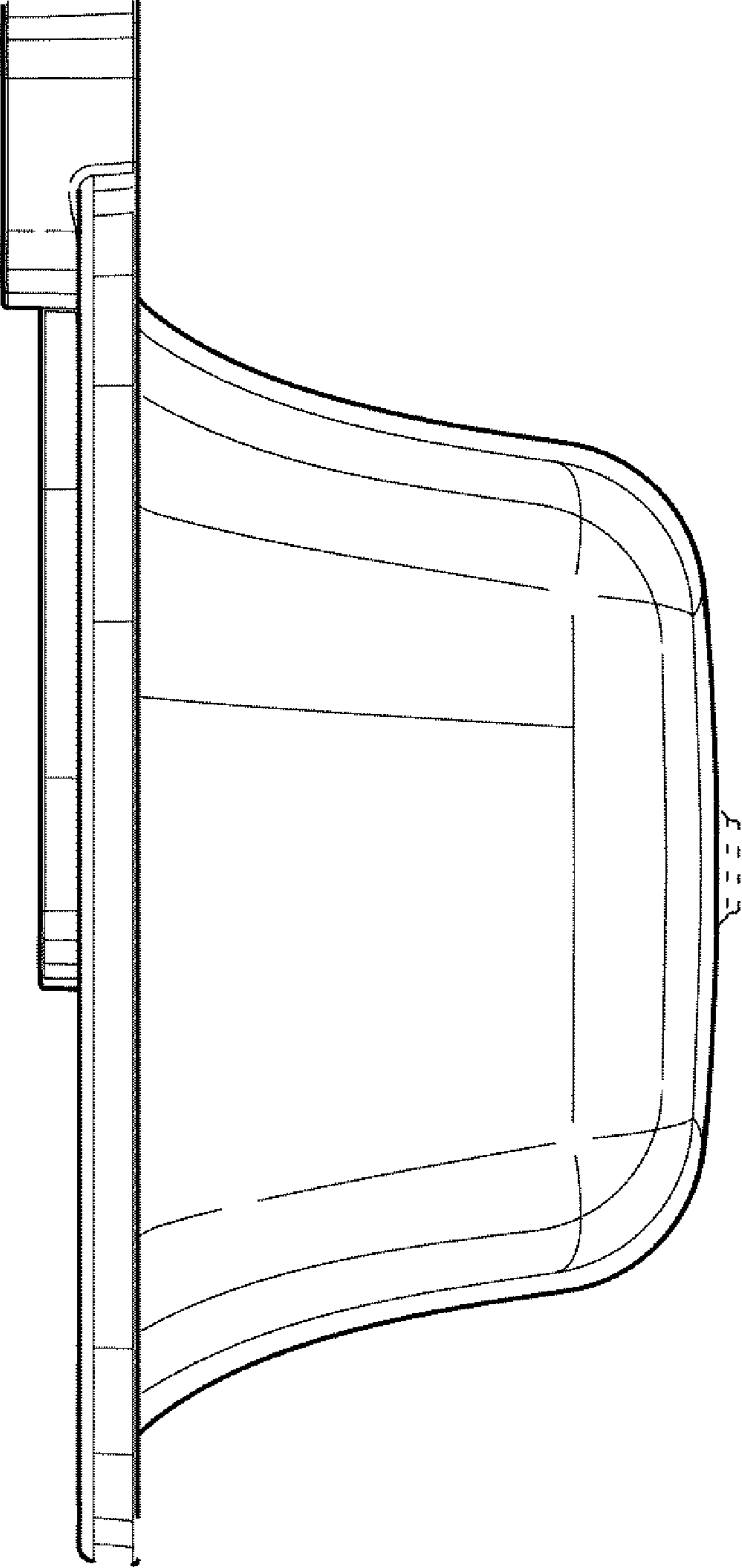


FIG. 4

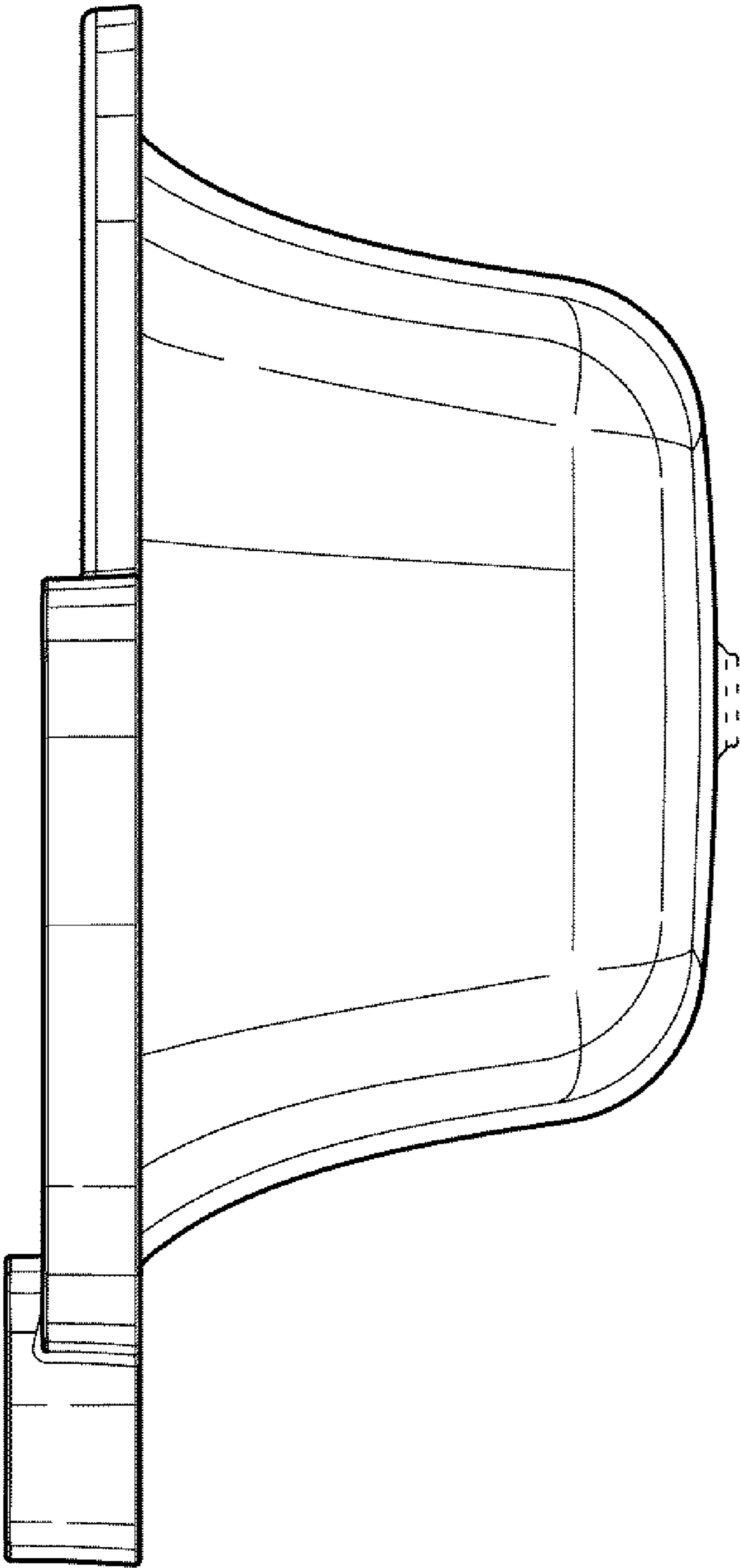


FIG. 5

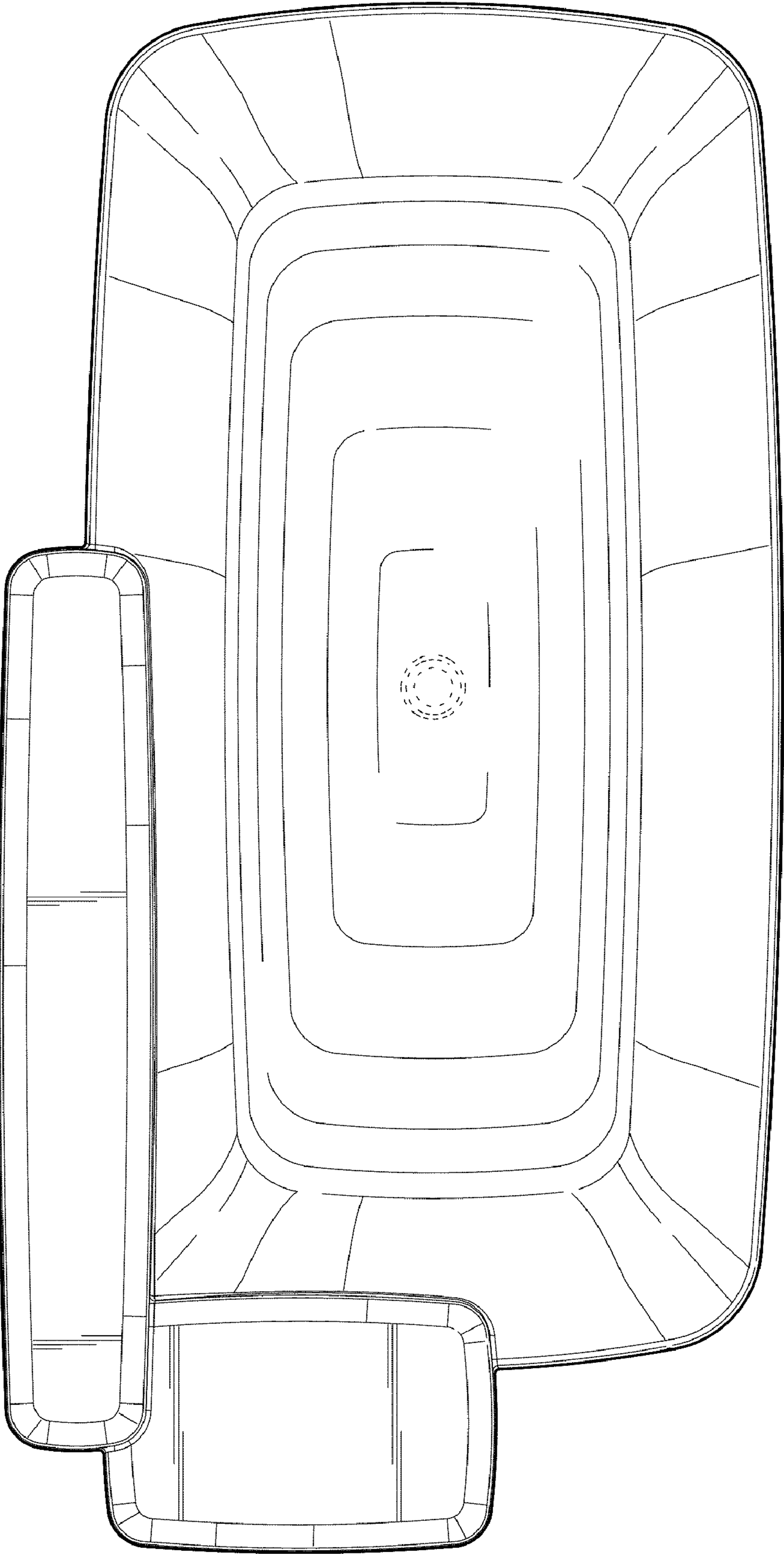


FIG. 6