



US00D624161S

(12) **United States Design Patent**
Zore

(10) **Patent No.:** **US D624,161 S**

(45) **Date of Patent:** **** Sep. 21, 2010**

(54) **HOSE COLLAR**

(75) Inventor: **William F. Zore**, Friedens, PA (US)

(73) Assignee: **Gilmour, Inc.**, Newark, DE (US)

(**) Term: **14 Years**

(21) Appl. No.: **29/345,912**

(22) Filed: **Oct. 23, 2009**

(51) **LOC (9) Cl.** **23-01**

(52) **U.S. Cl.** **D23/262**

(58) **Field of Classification Search** D23/223,
D23/229, 259–269; D8/396, 397; 24/279;
285/251–253; 411/372, 910; 239/458, 602
See application file for complete search history.

(56) **References Cited**

U.S. PATENT DOCUMENTS

D24,429	S	*	6/1895	Robinson	D23/262
D56,927	S	*	1/1921	Humphrey	D23/262
D98,259	S		1/1936	Kramer		
D106,680	S		10/1937	Barrett		
D106,681	S		10/1937	Barrett		
D106,697	S		10/1937	Slater		
D161,020	S	*	11/1950	Hamer	D23/262
2,783,094	A	*	2/1957	Storie	239/458
2,993,655	A	*	7/1961	O'Brien	239/582.1
3,001,725	A	*	9/1961	Lockett	239/458
3,150,829	A	*	9/1964	Specht et al.	239/107
D227,763	S	*	7/1973	Hand	D23/262
D296,241	S	*	6/1988	Miskinis	D24/232
D300,453	S		3/1989	Proctor et al.		
5,356,182	A	*	10/1994	Sanders	285/258
D362,900	S	*	10/1995	Miska	D23/260
D387,147	S	*	12/1997	Vandermast et al.	D23/262
D391,349	S		2/1998	Chih		
D396,730	S	*	8/1998	Schaupp	D23/259
D514,193	S		1/2006	Sener et al.		
D514,194	S		1/2006	Sener et al.		

D536,765	S	*	2/2007	McCaughan Hay	D23/213
D567,339	S	*	4/2008	Tiberghien	D23/262
D569,955	S	*	5/2008	Chen	D23/262
D570,953	S	*	6/2008	Patterson et al.	D23/213
D583,012	S	*	12/2008	McGilloway et al.	D23/213
D586,435	S		2/2009	Reckseen		
D614,270	S	*	4/2010	Green et al.	D23/266

* cited by examiner

Primary Examiner—T. Chase Nelson

Assistant Examiner—John Windmuller

(74) *Attorney, Agent, or Firm*—Maginot, Moore & Beck

(57) **CLAIM**

The ornamental design for a hose collar, as shown and described.

DESCRIPTION

FIG. 1 is a perspective view of a hose collar showing my new design;

FIG. 2 is a left side elevational view showing the design for the hose collar of FIG. 1;

FIG. 3 is a right side elevational view showing the design for the hose collar of FIG. 1;

FIG. 4 is a front elevational view showing the design for the hose collar of FIG. 1;

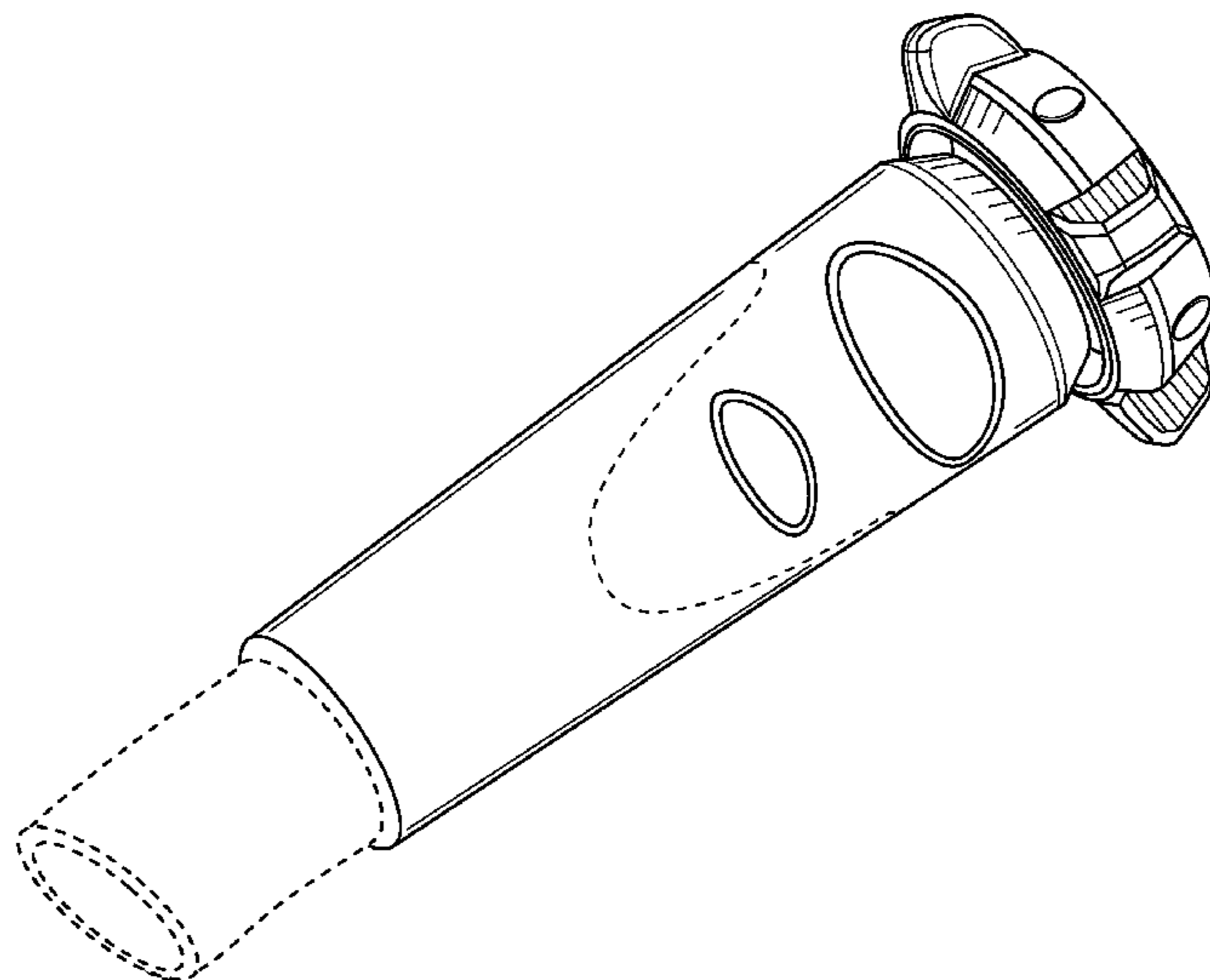
FIG. 5 is a rear elevational view showing the design for the hose collar of FIG. 1;

FIG. 6 is a top elevational view showing the design for the hose collar of FIG. 1; and,

FIG. 7 is a bottom elevational view showing the design for the hose collar of FIG. 1.

The broken line showing of portions of the hose collar is included for illustrative purposes only and forms no part of the claimed design.

1 Claim, 4 Drawing Sheets



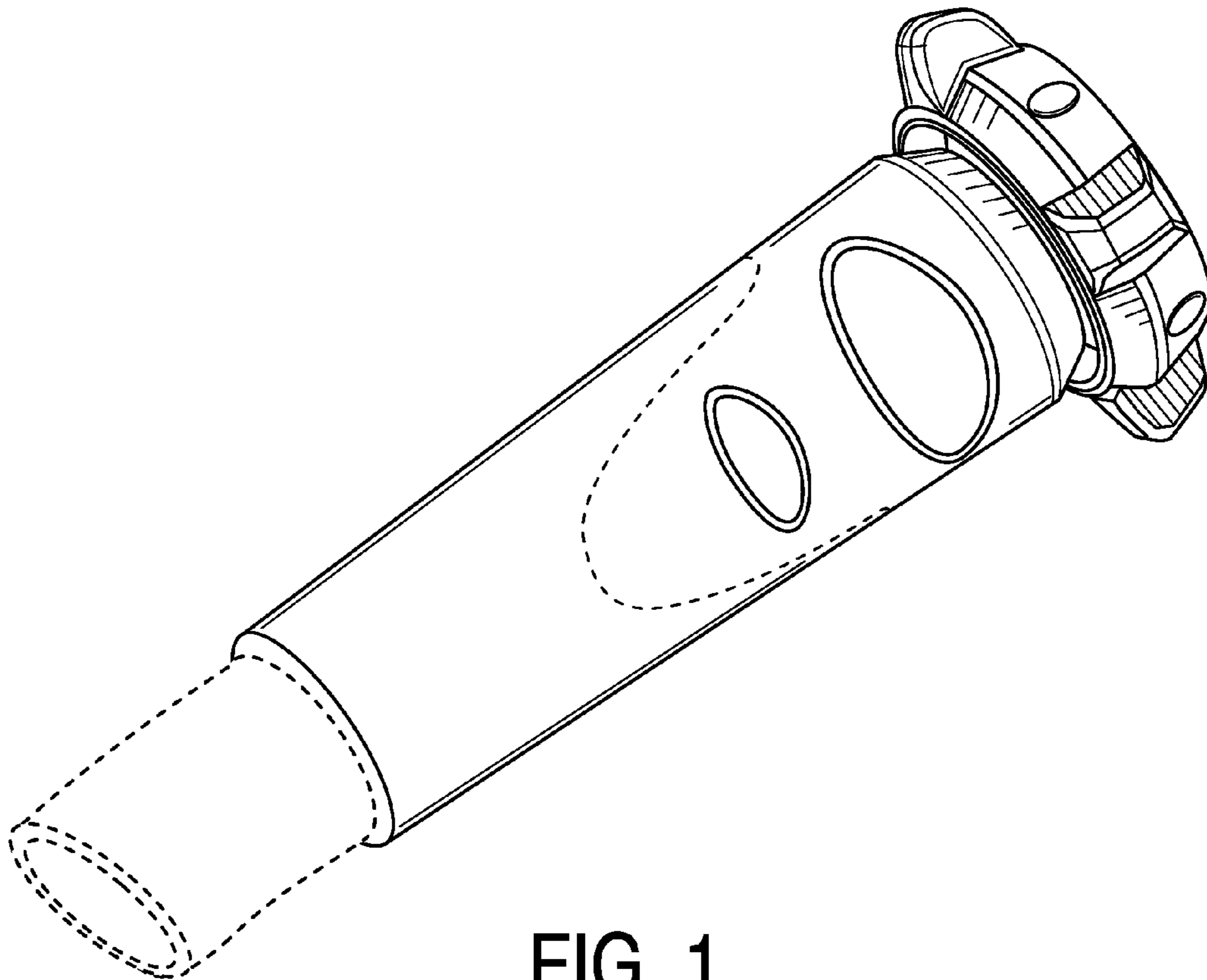


FIG. 1

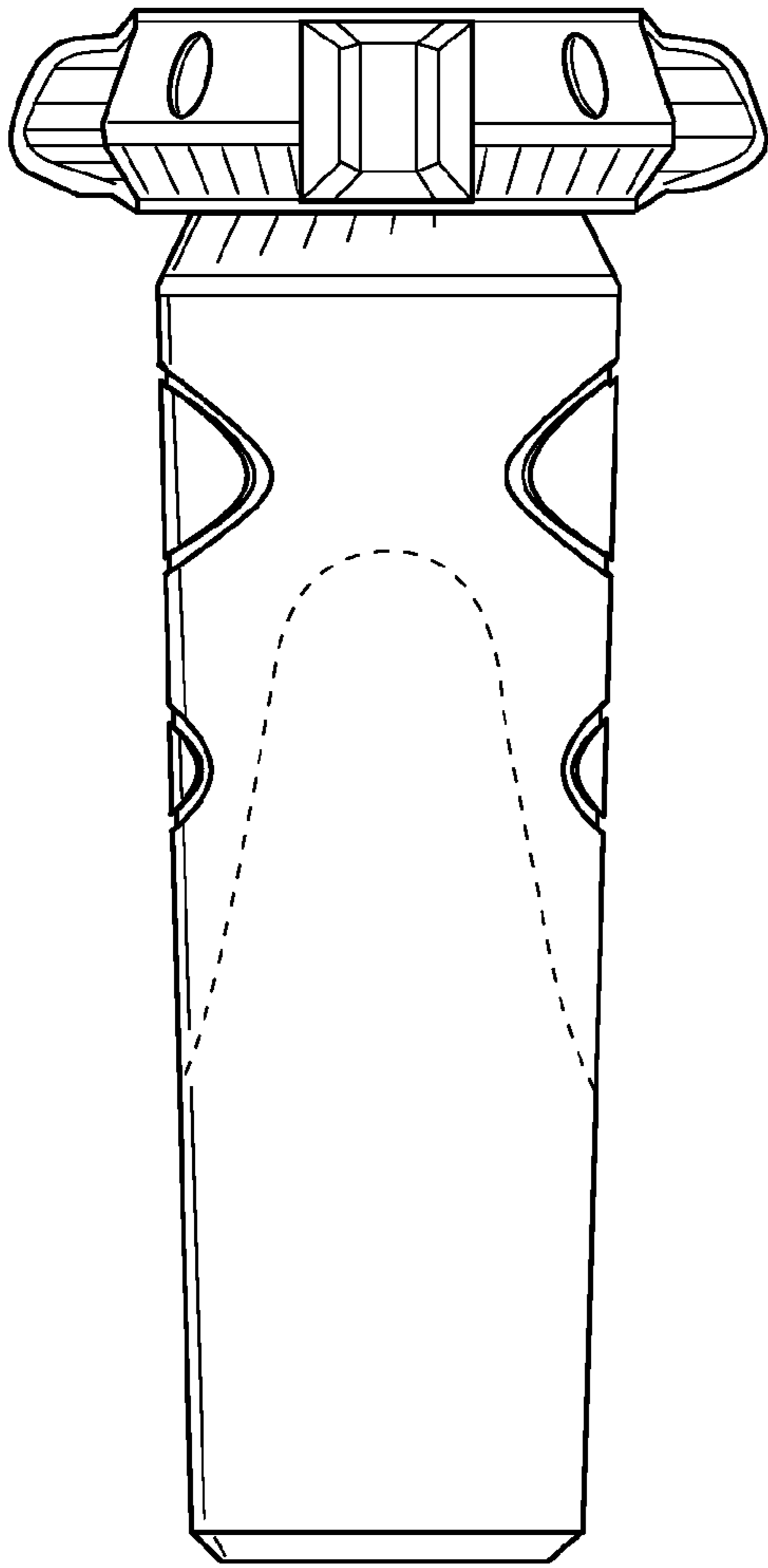


FIG. 2

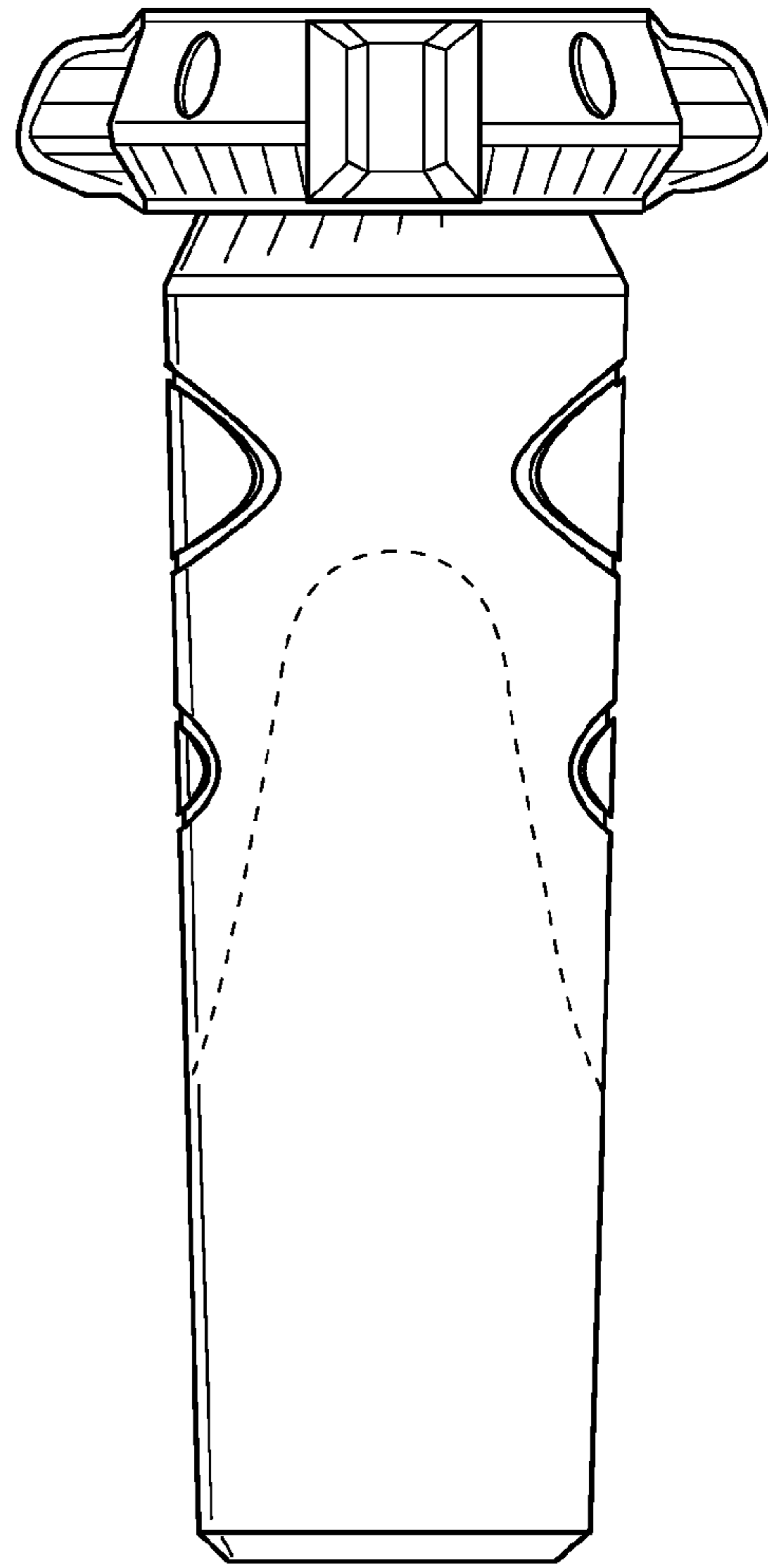


FIG. 3

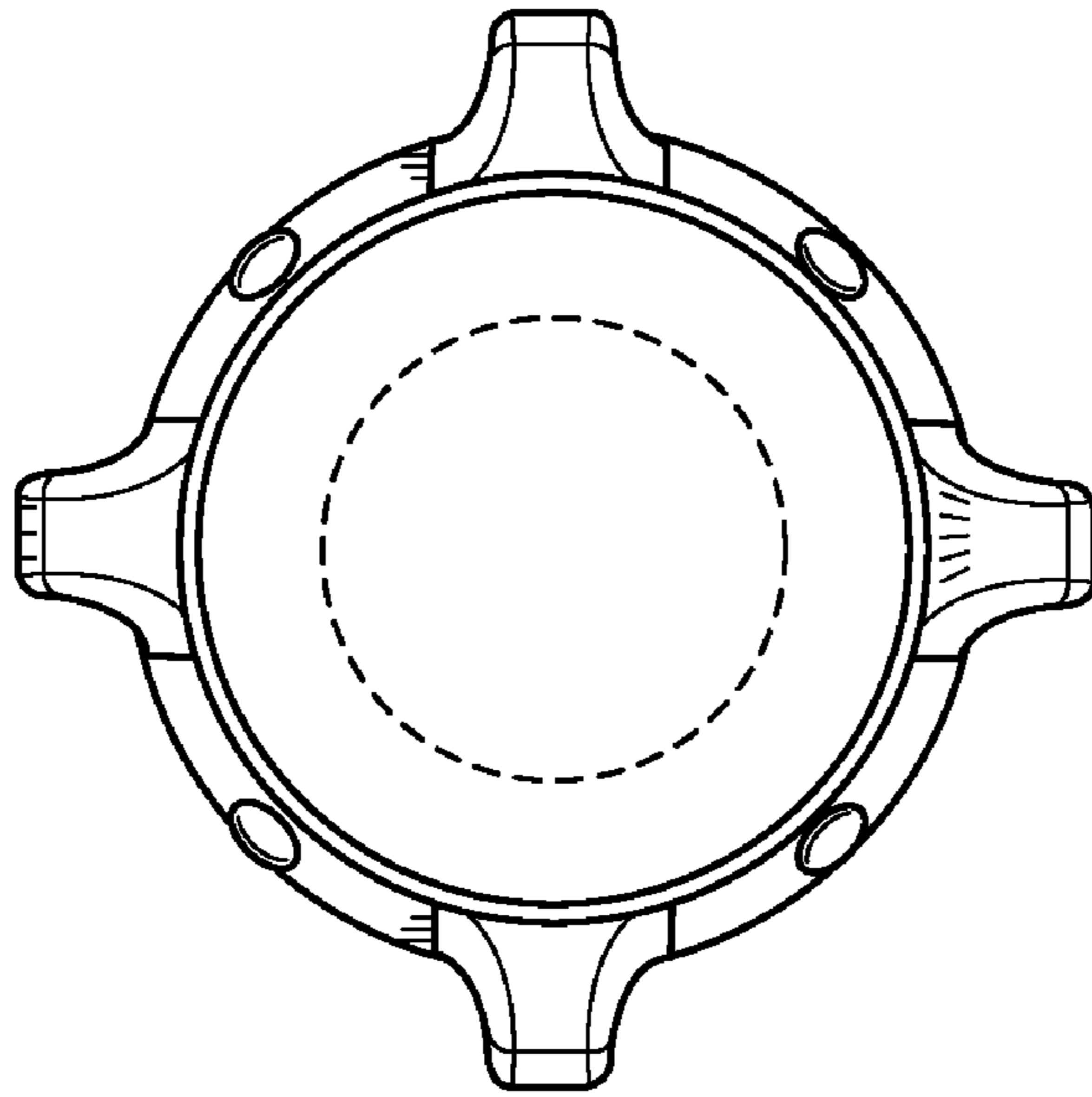


FIG. 4

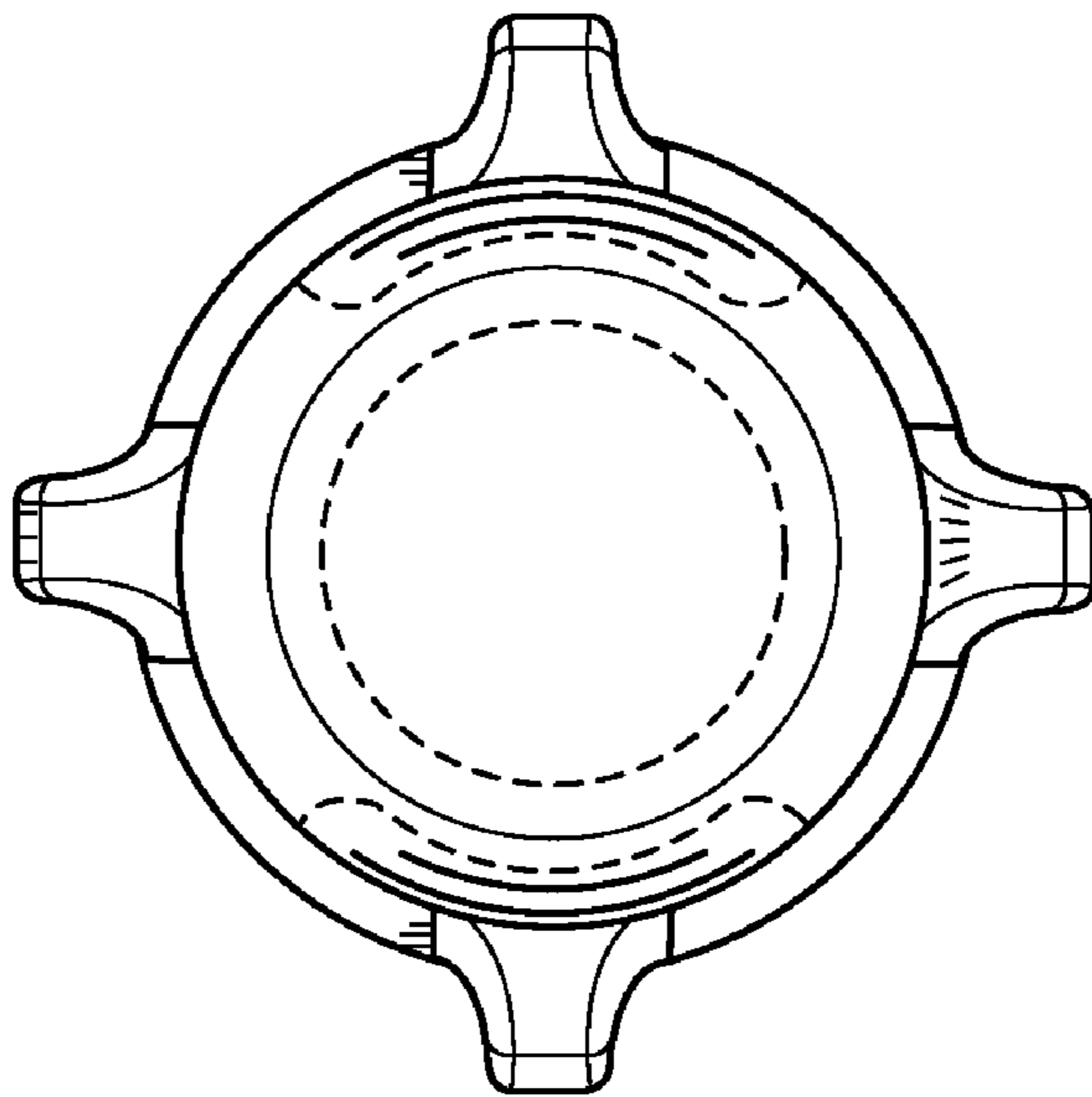


FIG. 5

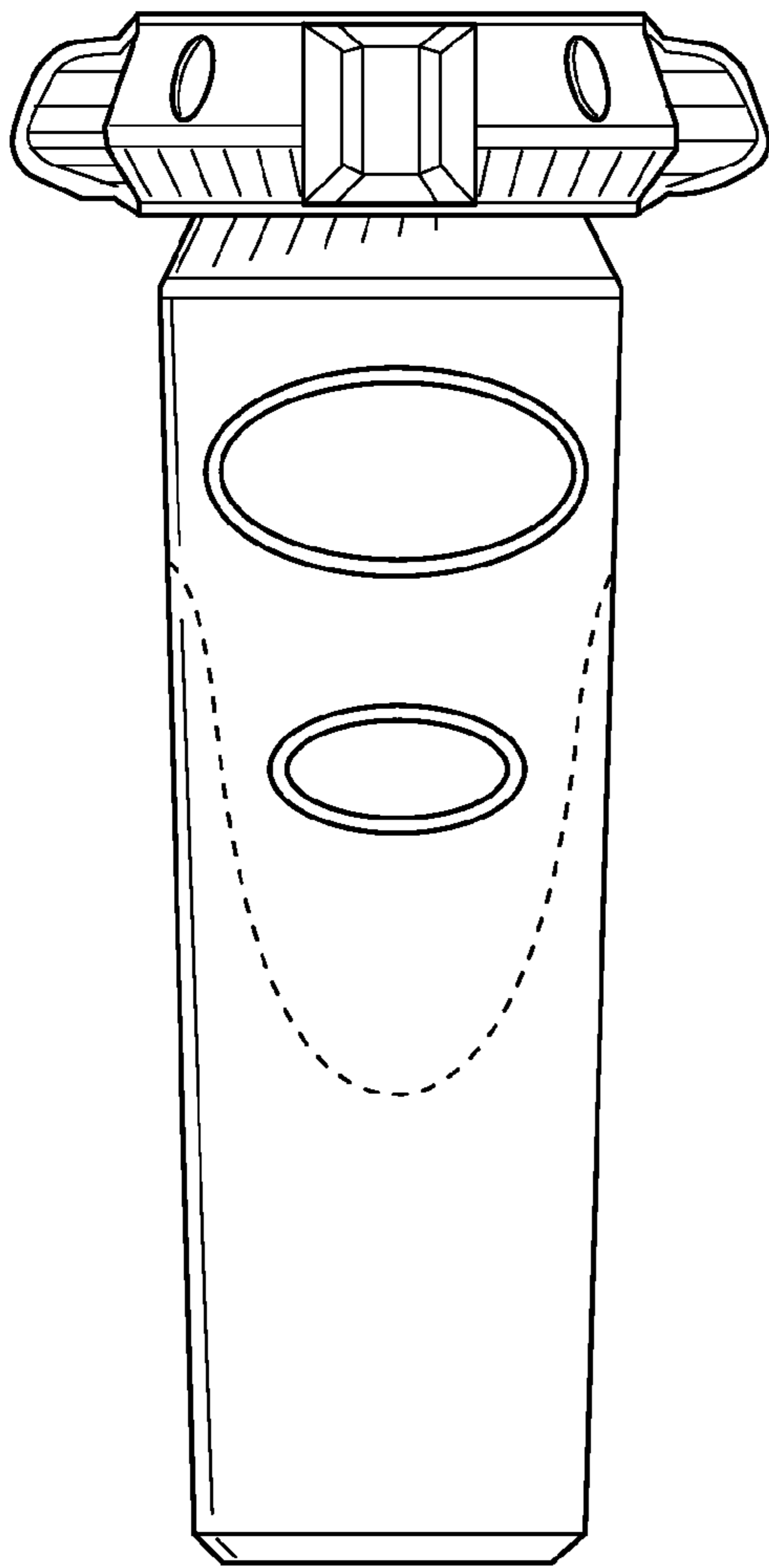


FIG. 6

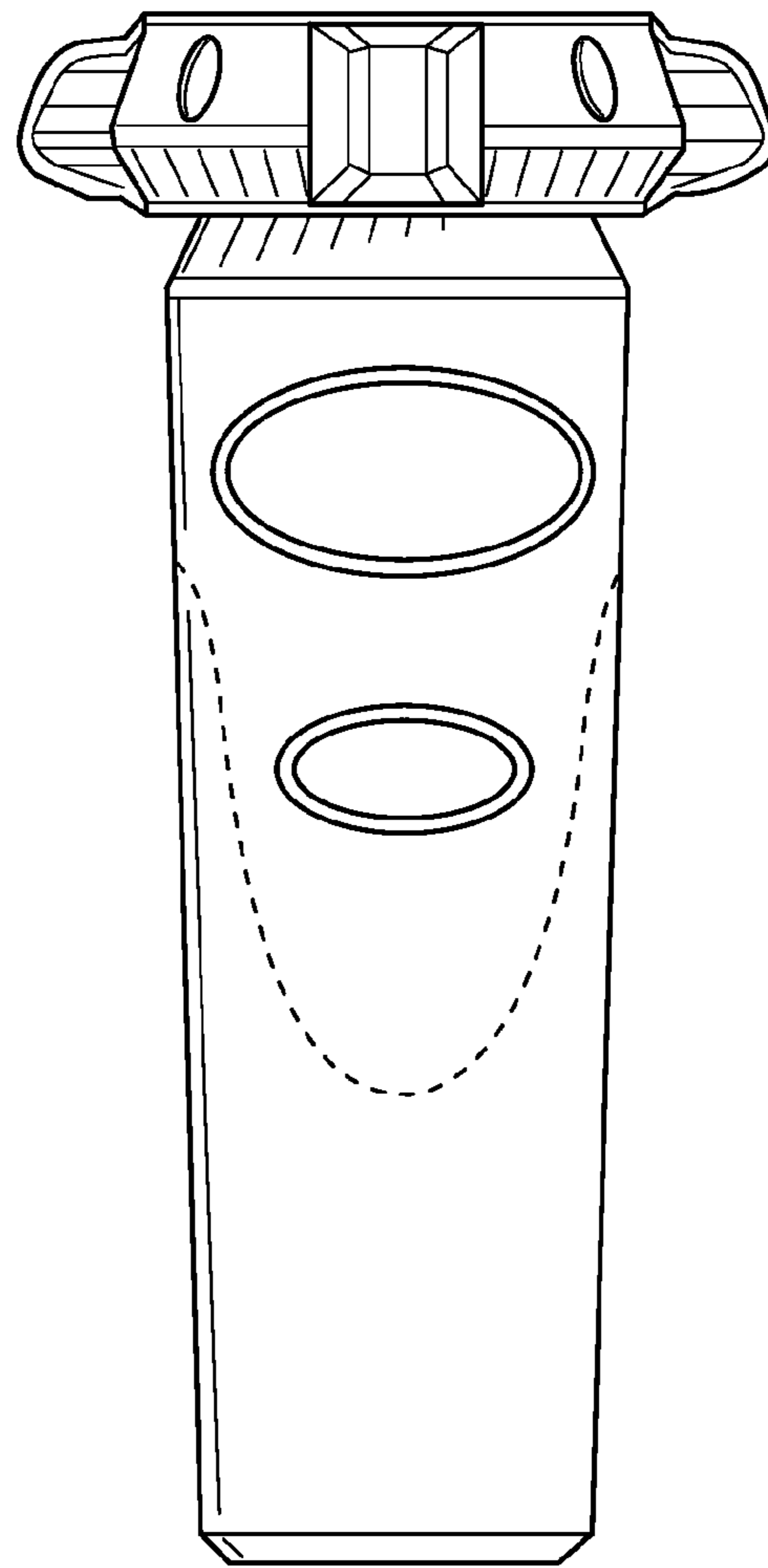


FIG. 7