



US00D624158S

(12) **United States Design Patent**
Roy

(10) **Patent No.:** **US D624,158 S**
(45) **Date of Patent:** **** Sep. 21, 2010**

(54) **FAUCET**

(75) Inventor: **Annette Roy**, Duesseldorf (DE)

(73) Assignee: **Grohe AG**, Hemer (DE)

(**) Term: **14 Years**

(21) Appl. No.: **29/330,394**

(22) Filed: **Jan. 6, 2009**

(30) **Foreign Application Priority Data**

Jul. 29, 2008 (EM) 000978705-0004

(51) **LOC (9) Cl.** **24-01**

(52) **U.S. Cl.** **D23/238**

(58) **Field of Classification Search** D23/200,
D23/238-257; D6/512, 546, 550; D8/300,
D8/306-308, 310-312, 321; 4/675-678;
137/801; 16/110.1, 441

See application file for complete search history.

(56) **References Cited**

U.S. PATENT DOCUMENTS

D390,919 S *	2/1998	Lobermeier	D23/238
D487,798 S *	3/2004	Bayer	D23/238
D514,665 S *	2/2006	Lindholm	D23/238
D517,652 S *	3/2006	Egli et al.	D23/238
D534,622 S *	1/2007	Chu et al.	D23/238
D550,330 S *	9/2007	Mullenmeister	D23/238
D564,075 S *	3/2008	Williams	D23/238

D564,634 S *	3/2008	Kirar	D23/250
D567,909 S *	4/2008	Schonherr et al.	D23/238
D585,112 S *	1/2009	Kohler et al.	D23/238
D586,884 S *	2/2009	Kollmann et al.	D23/238
D603,021 S *	10/2009	Roy	D23/238
D609,780 S *	2/2010	Fritz et al.	D23/238

* cited by examiner

Primary Examiner—T. Chase Nelson

Assistant Examiner—Mark Cavanna

(74) *Attorney, Agent, or Firm*—Muncy, Geissler Olds & Lowe, PLLC

(57) **CLAIM**

The ornamental design of a faucet, as shown and described.

DESCRIPTION

FIG. 1 is a perspective view of a faucet showing my new design

FIG. 2 is a left side elevational view thereof;

FIG. 3 is a right side elevational view thereof;

FIG. 4 is a rear elevational view thereof;

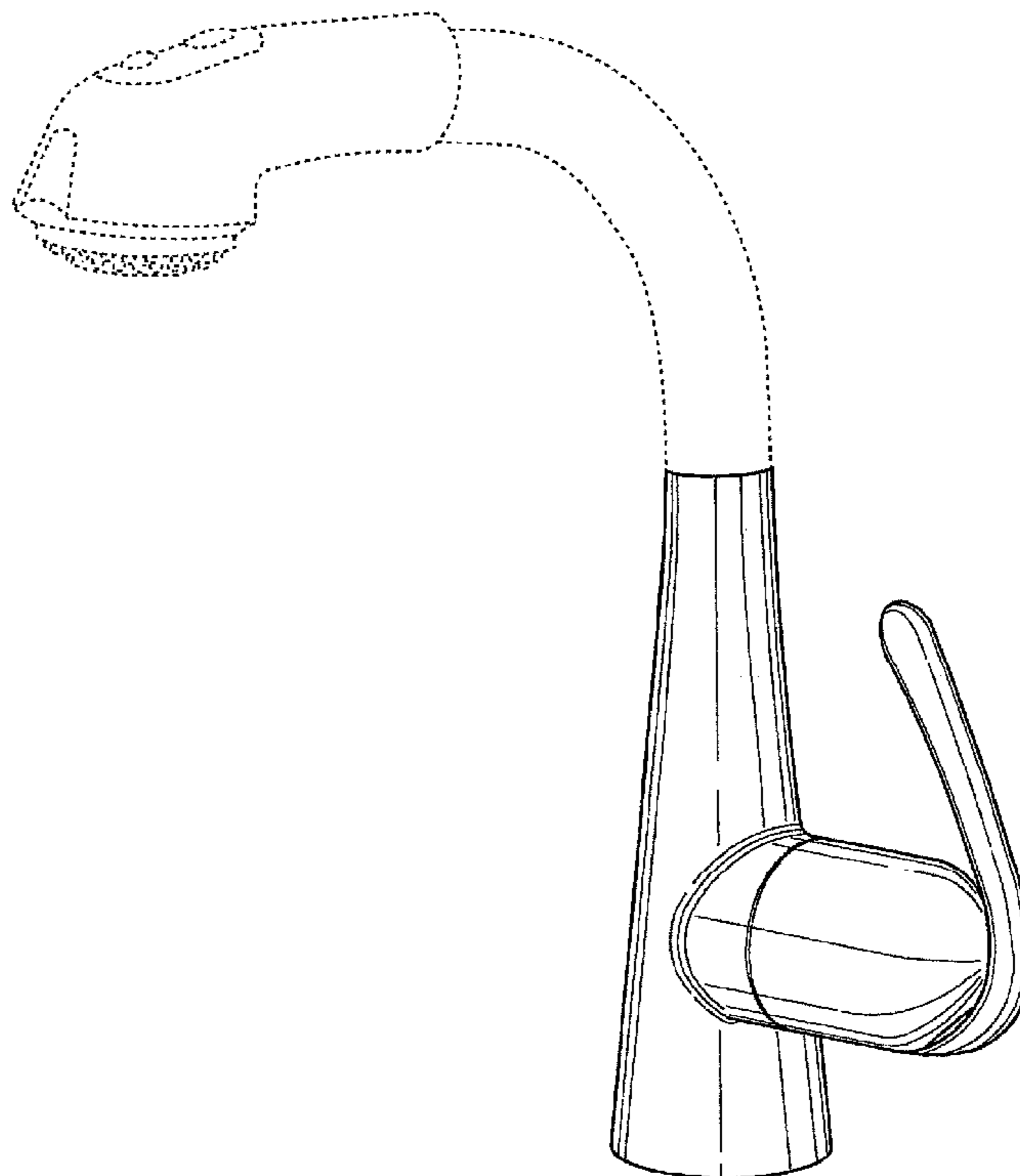
FIG. 5 is a front elevational view thereof;

FIG. 6 is a bottom plan view thereof; and,

FIG. 7 is a top perspective view thereof.

The dashed lines illustrate environment that does not form a part of the present invention, and no claim is made to the material illustrated with dashed lines.

1 Claim, 7 Drawing Sheets



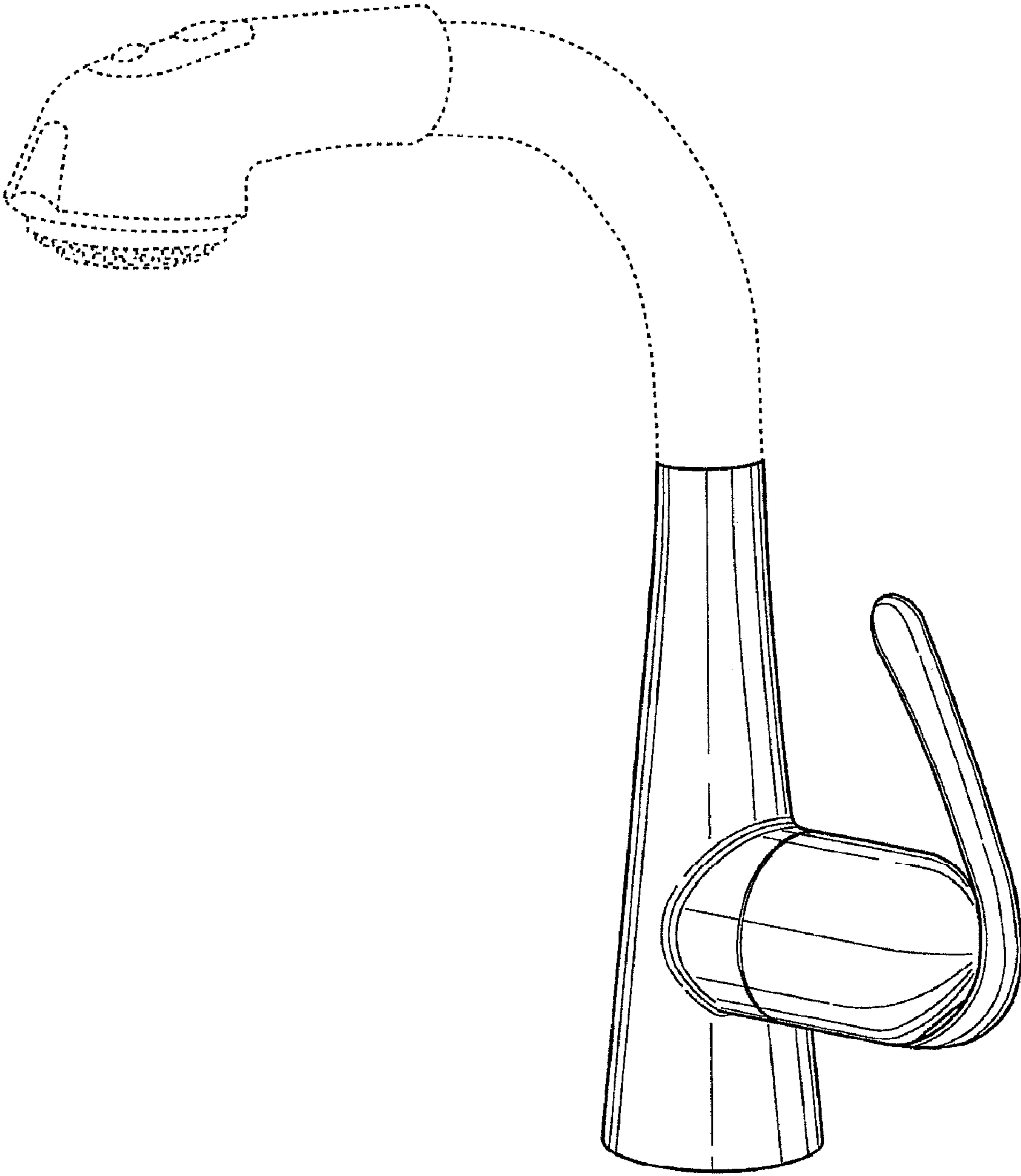


FIG. 1

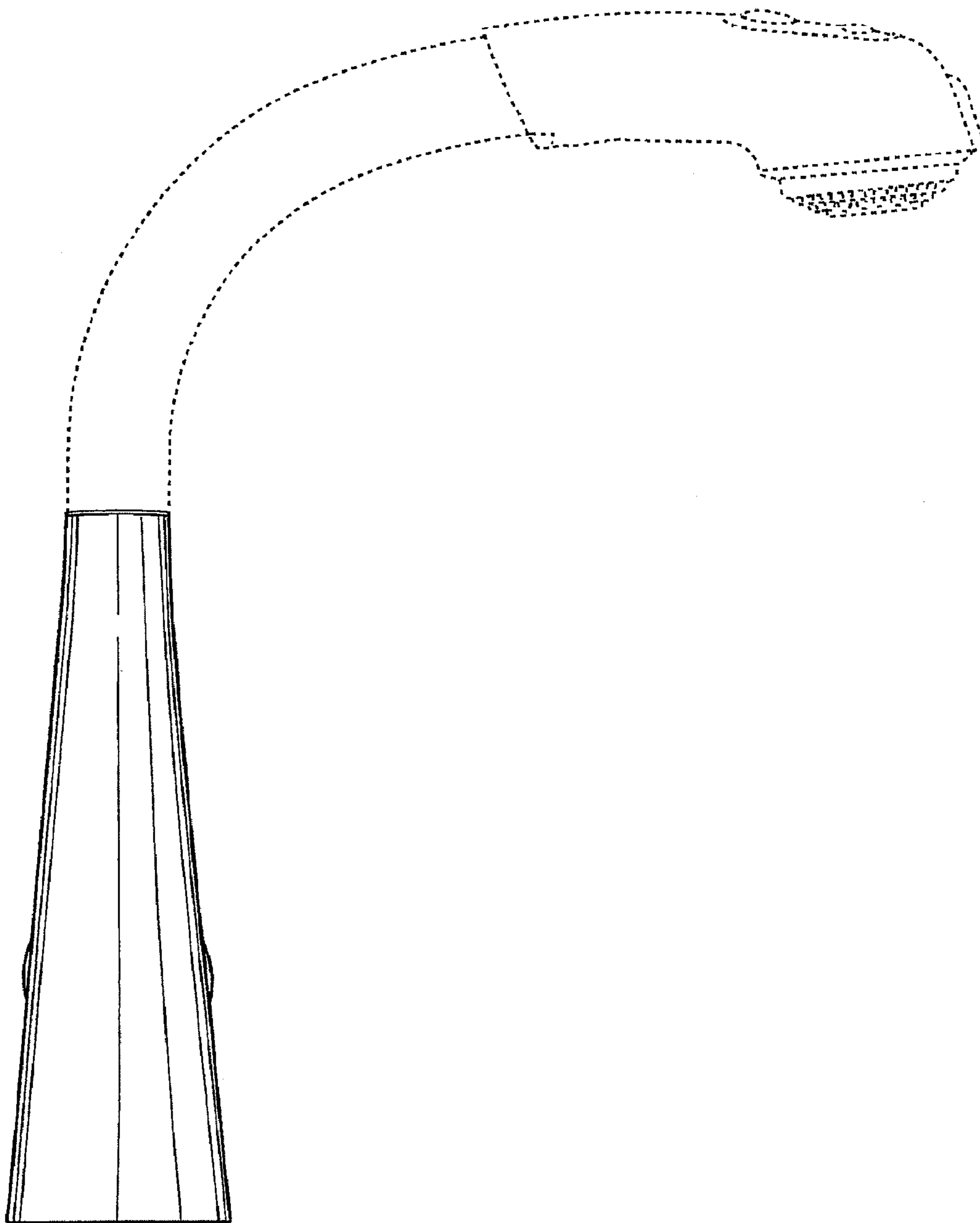


FIG. 2

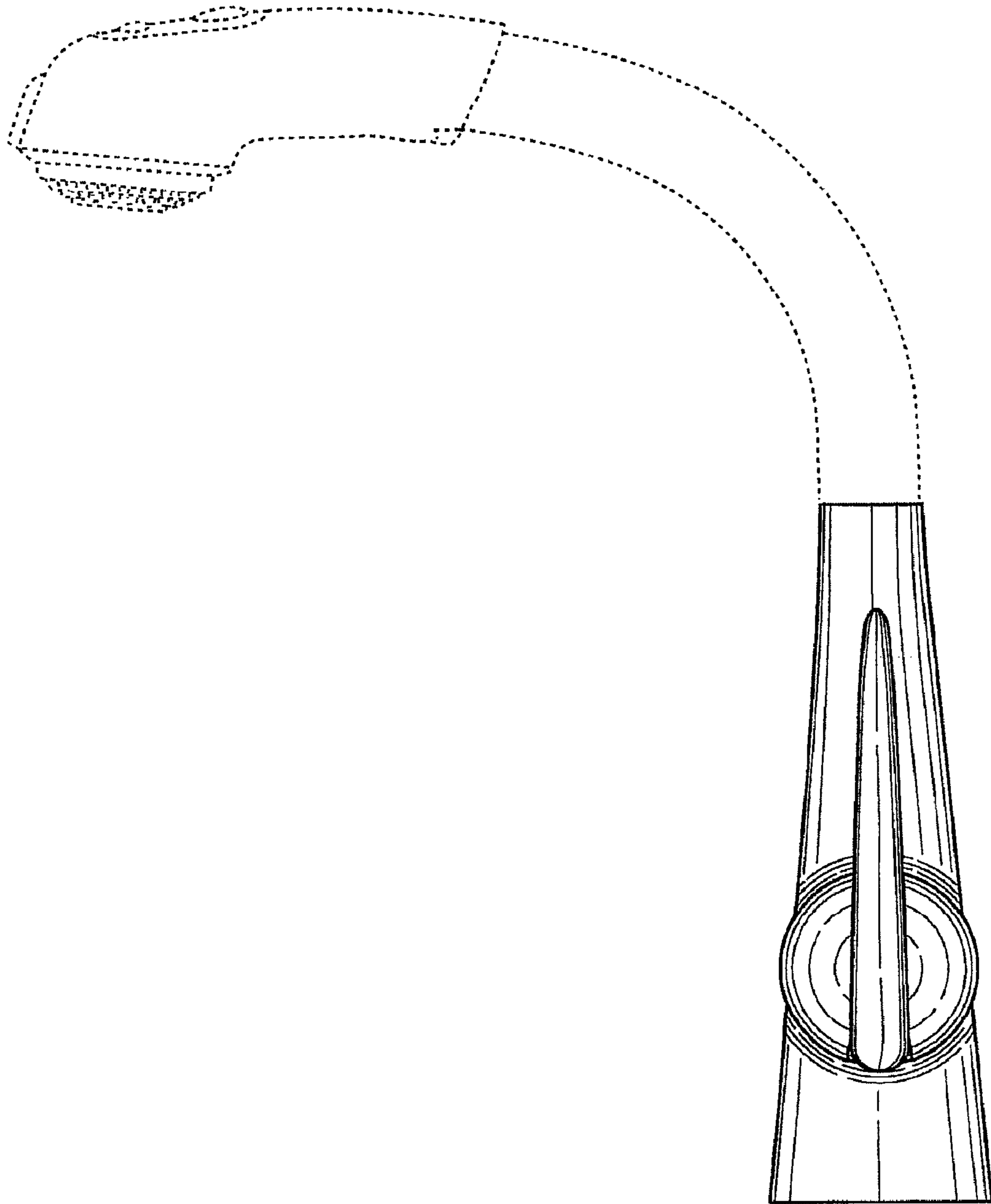


FIG. 3

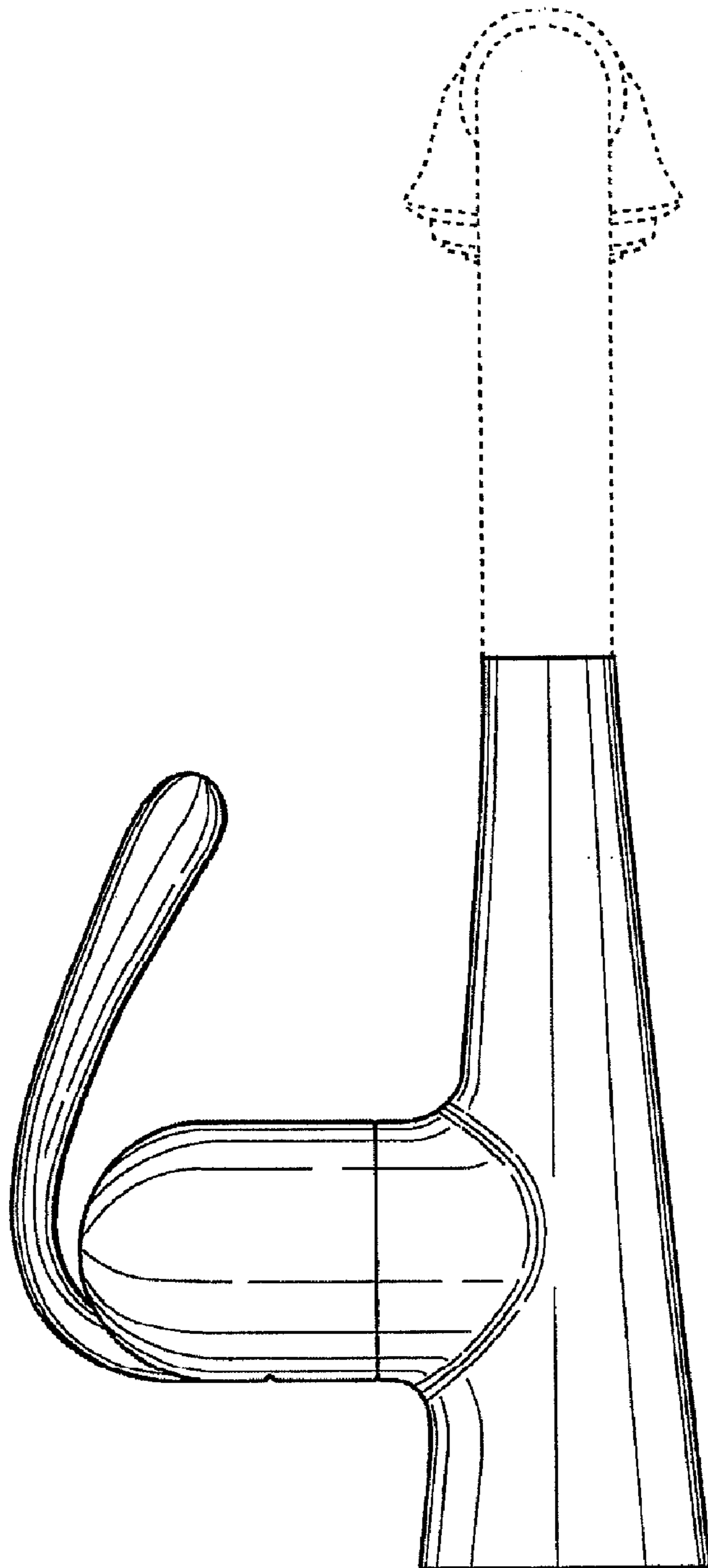


FIG. 4

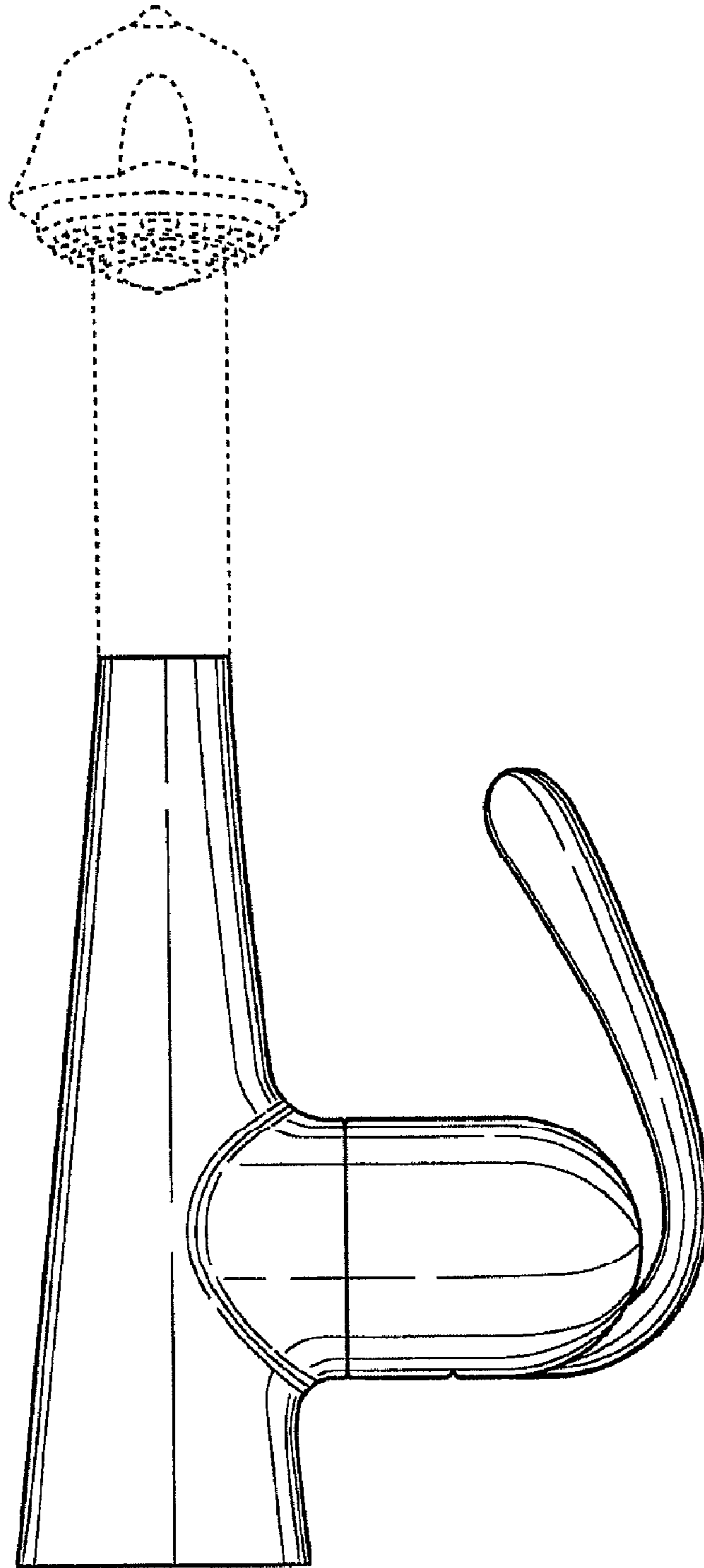


FIG. 5

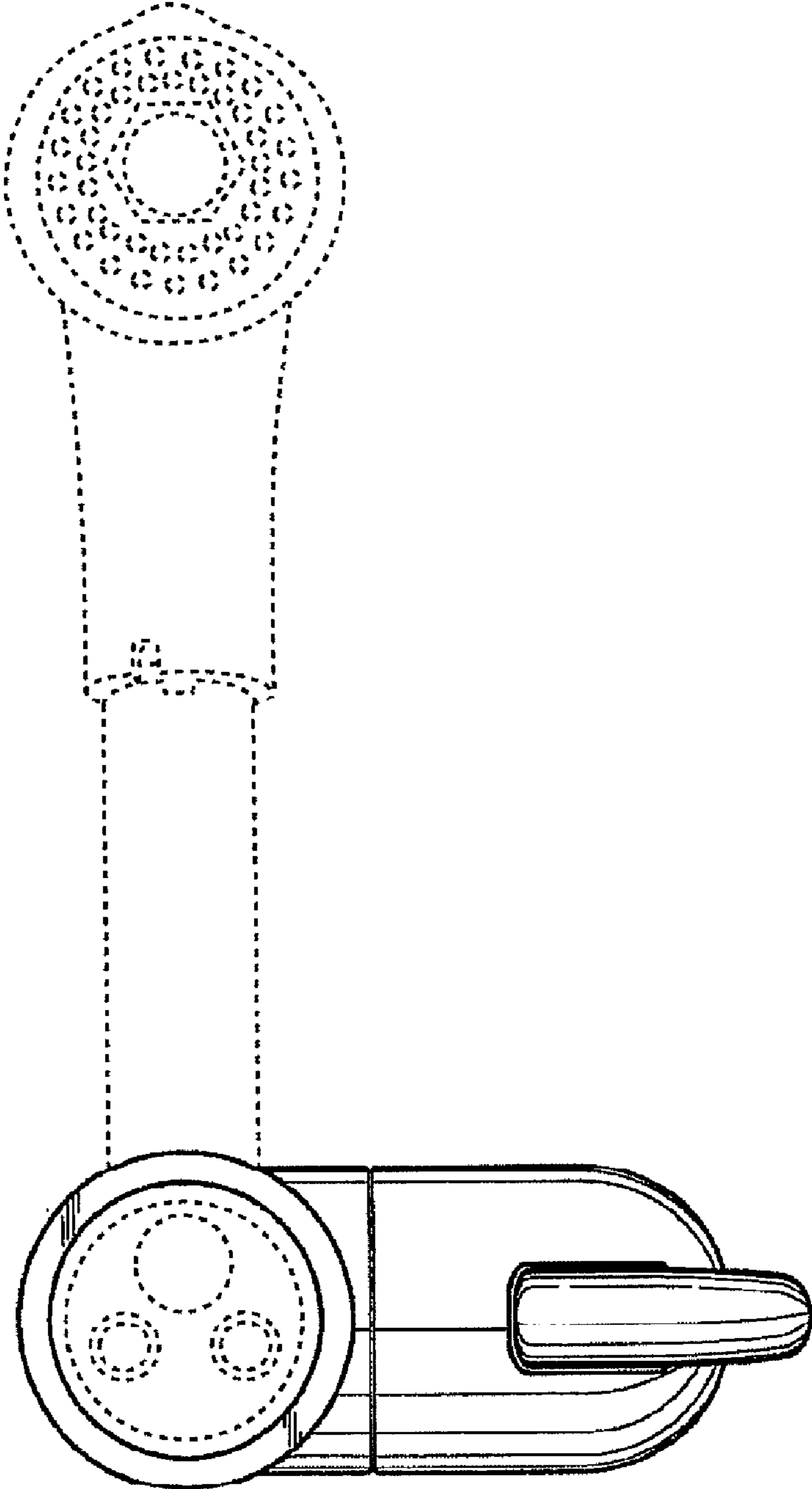


FIG. 6

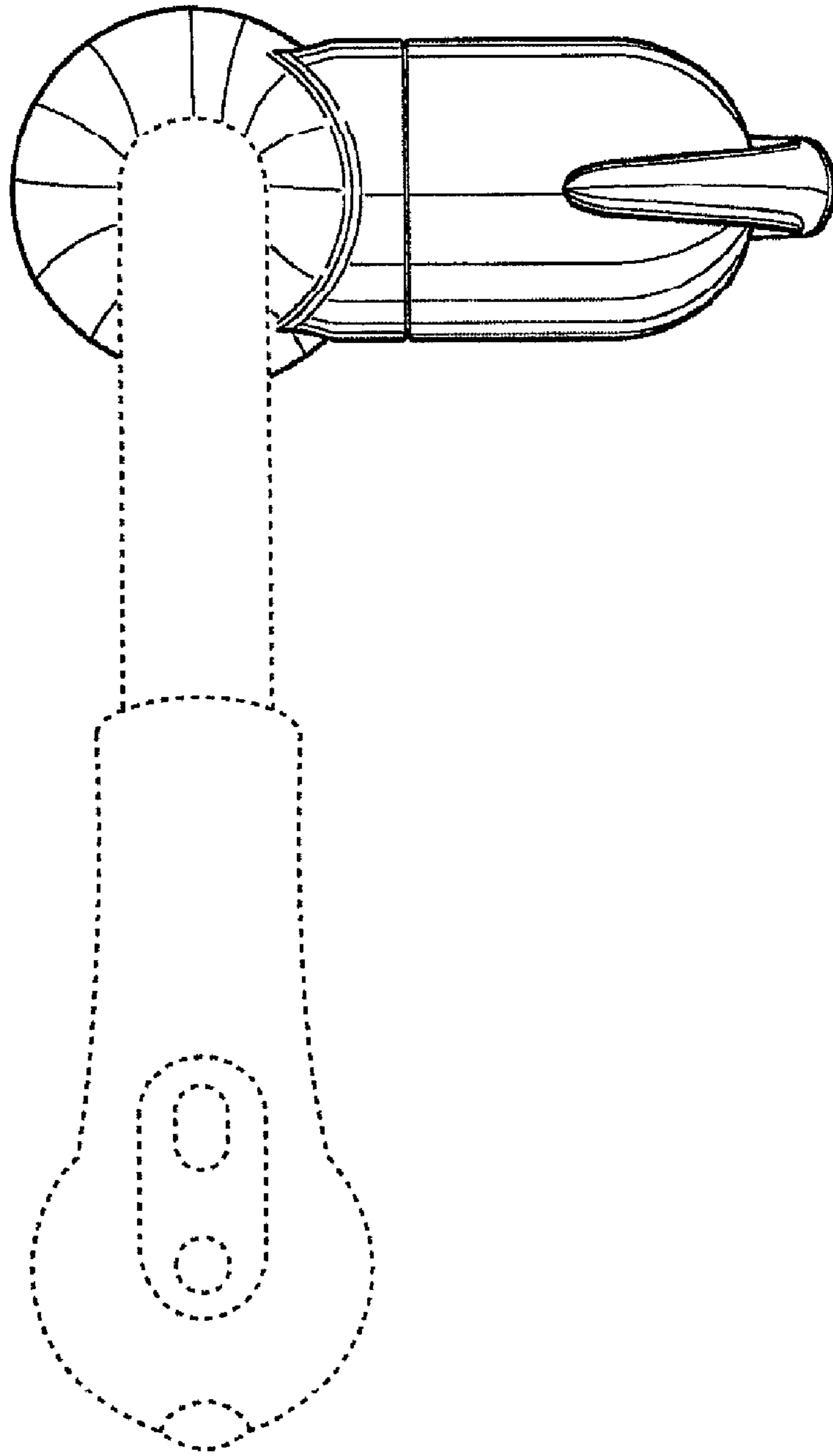


FIG. 7