



US00D624157S

(12) **United States Design Patent**
Nimberger

(10) **Patent No.:** **US D624,157 S**

(45) **Date of Patent:** **** Sep. 21, 2010**

(54) **MINIMUM BLEED CHECK VALVE**

D594,530 S * 6/2009 Bonnell D23/233
D602,564 S * 10/2009 Nimberger D23/233
D606,167 S * 12/2009 Nimberger D23/233

(75) Inventor: **Spencer M. Nimberger**, Houston, TX
(US)

* cited by examiner

(73) Assignee: **PGI International, Ltd.**, Houston, TX
(US)

Primary Examiner—Cathron C. Brooks

Assistant Examiner—Maurice Stevens

(**) Term: **14 Years**

(74) *Attorney, Agent, or Firm*—Browning Bushman P.C.

(21) Appl. No.: **29/334,831**

(57) **CLAIM**

(22) Filed: **Apr. 2, 2009**

The ornamental design for a minimum bleed check valve, as shown and described.

(51) **LOC (9) Cl.** **23-01**

(52) **U.S. Cl.** **D23/237**

(58) **Field of Classification Search** D23/233–237,
D23/244–249; 137/515.7, 559, 843, 846,
137/855, 859, 614.2

See application file for complete search history.

DESCRIPTION

FIG. 1 is a top, rear perspective view of a minimum bleed check valve;

FIG. 2 is a top, front perspective view thereof;

FIG. 3 is a side view thereof, and the opposing side view is a mirror image thereof;

FIG. 4 is a rear view thereof;

FIG. 5 is a front view thereof;

FIG. 6 is a top view thereof; and,

FIG. 7 is a bottom view thereof.

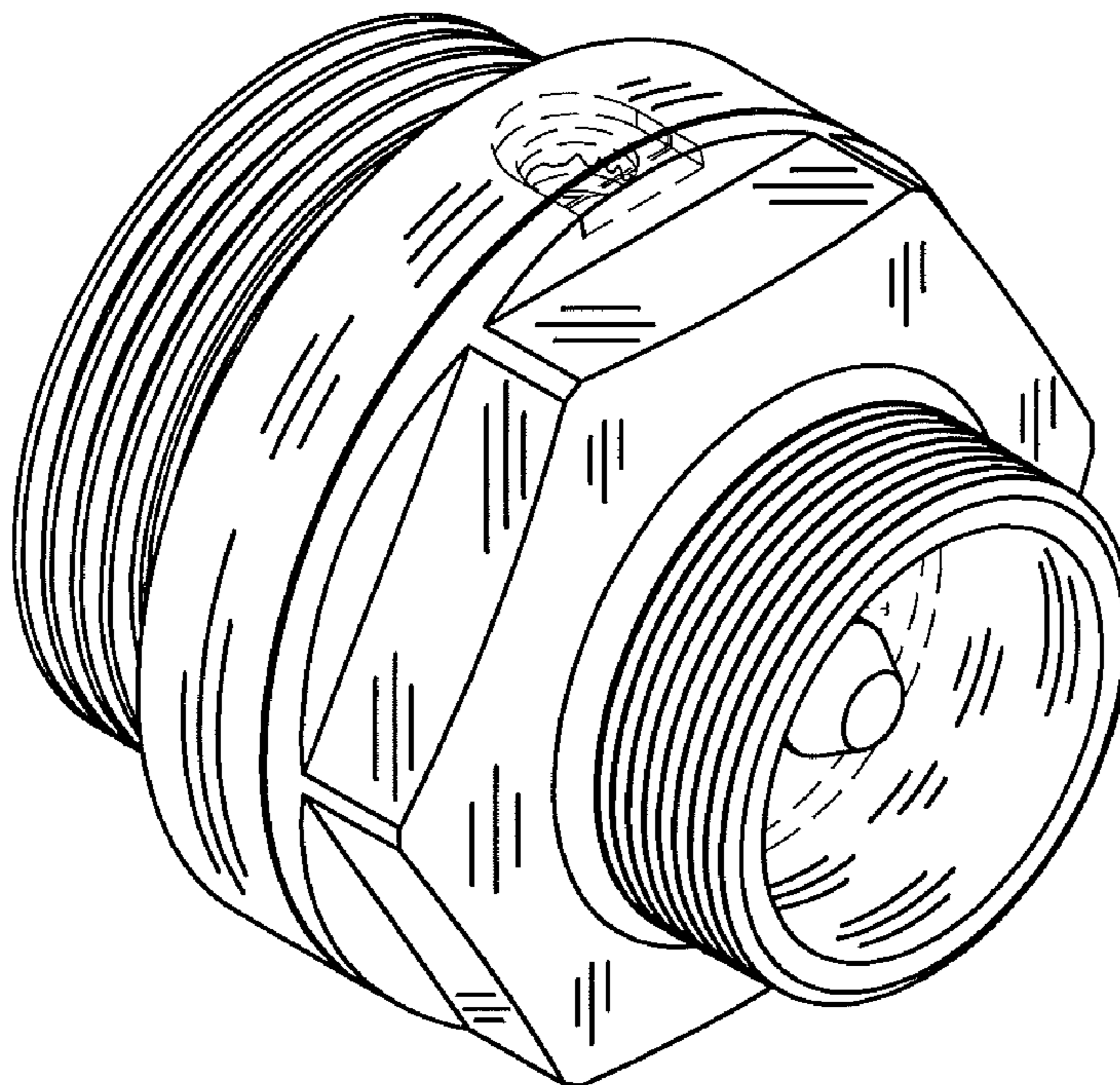
The broken lines showing unclaimed portions form no part of the claimed design.

(56) **References Cited**

U.S. PATENT DOCUMENTS

D260,280 S * 8/1981 Campbell D23/237
D321,928 S * 11/1991 Milo D23/245
D354,335 S * 1/1995 Siposs D23/237
D364,210 S * 11/1995 Loerop et al. D23/237
D370,963 S * 6/1996 Daansen D23/235
D437,917 S * 2/2001 Weingarten D23/244
D536,443 S * 2/2007 Latsos D24/110.6
D576,704 S * 9/2008 Gilcher D23/233

1 Claim, 7 Drawing Sheets



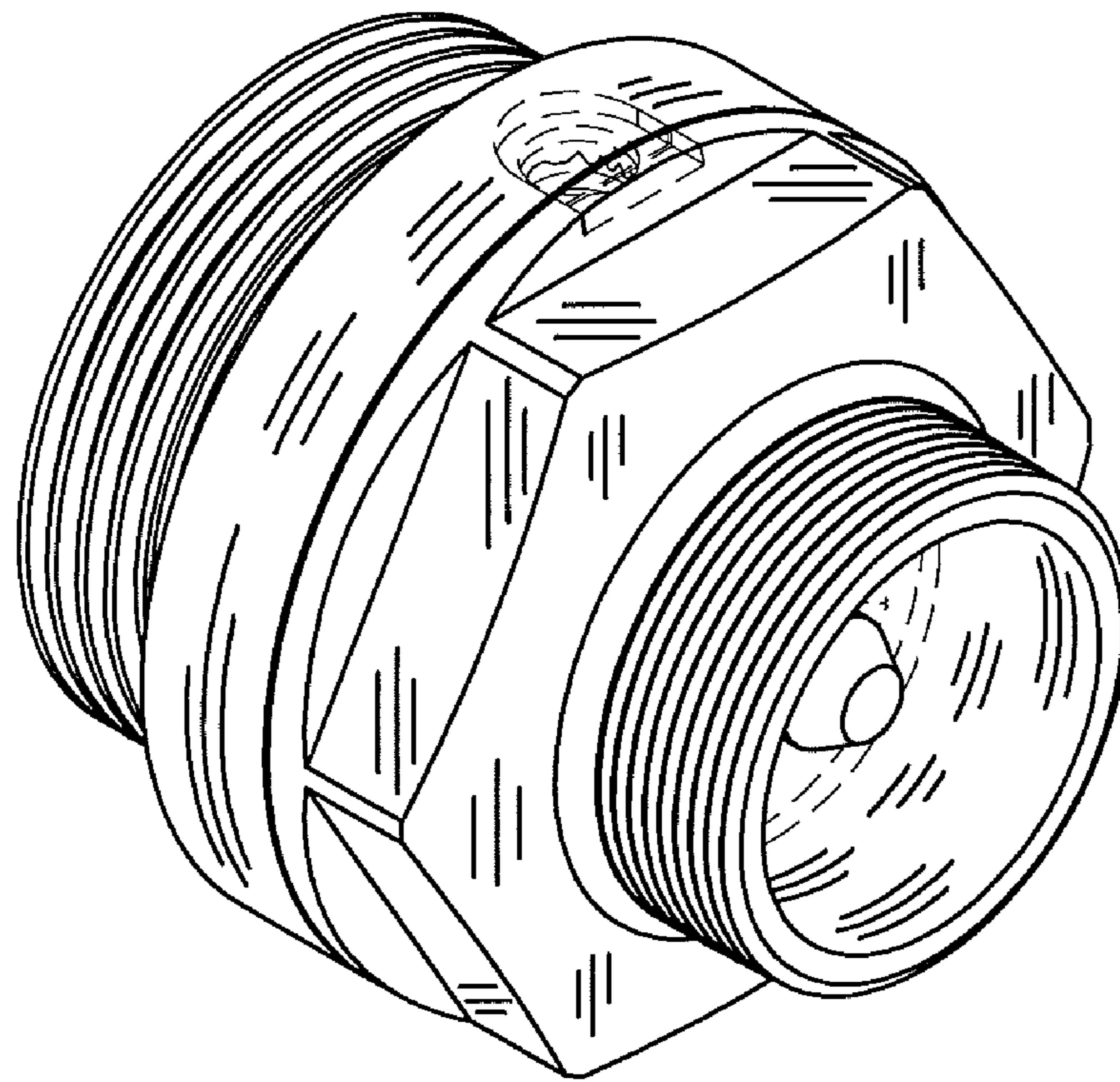


FIG. 1

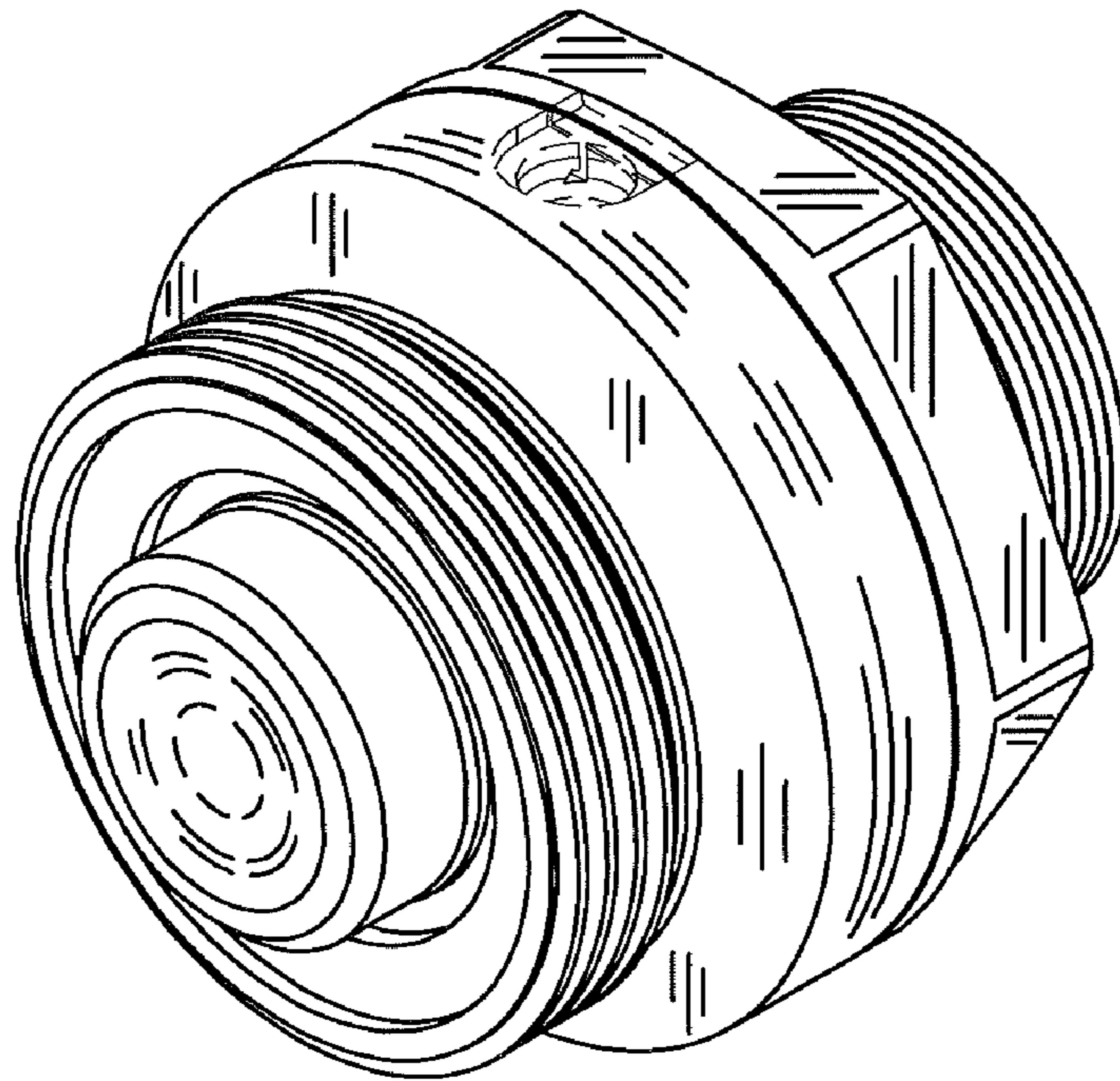


FIG. 2

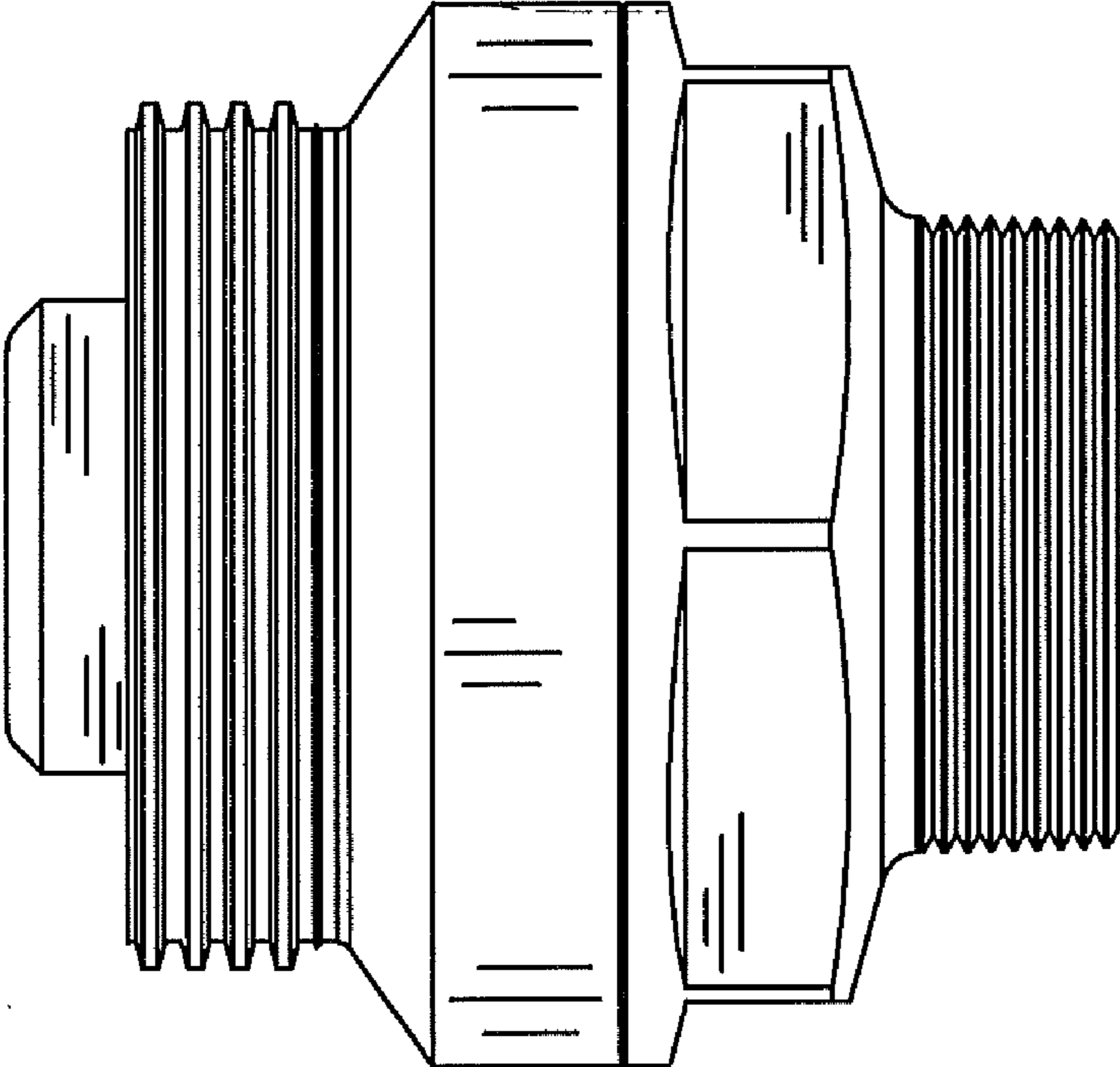


FIG. 3

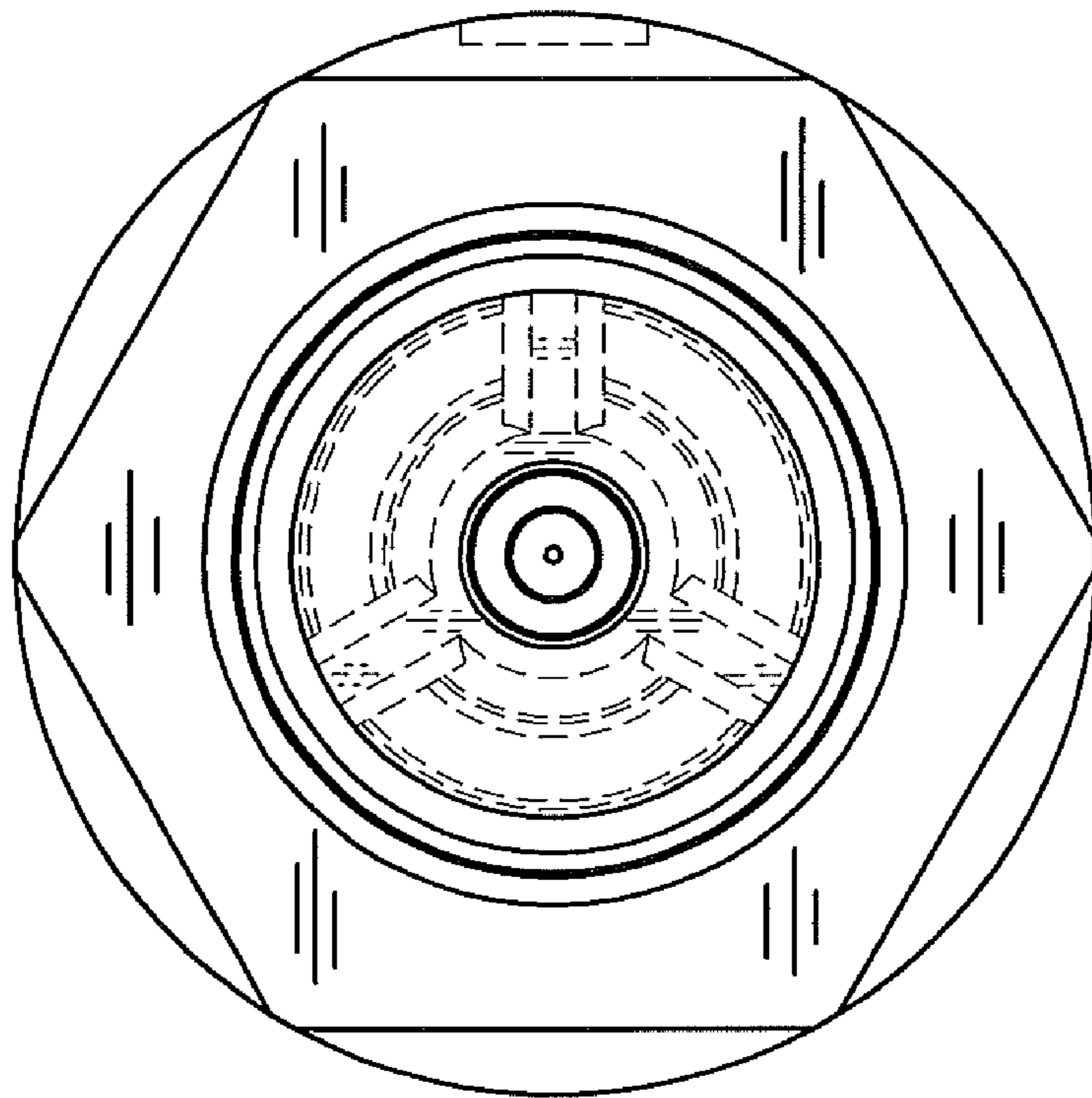


FIG. 4

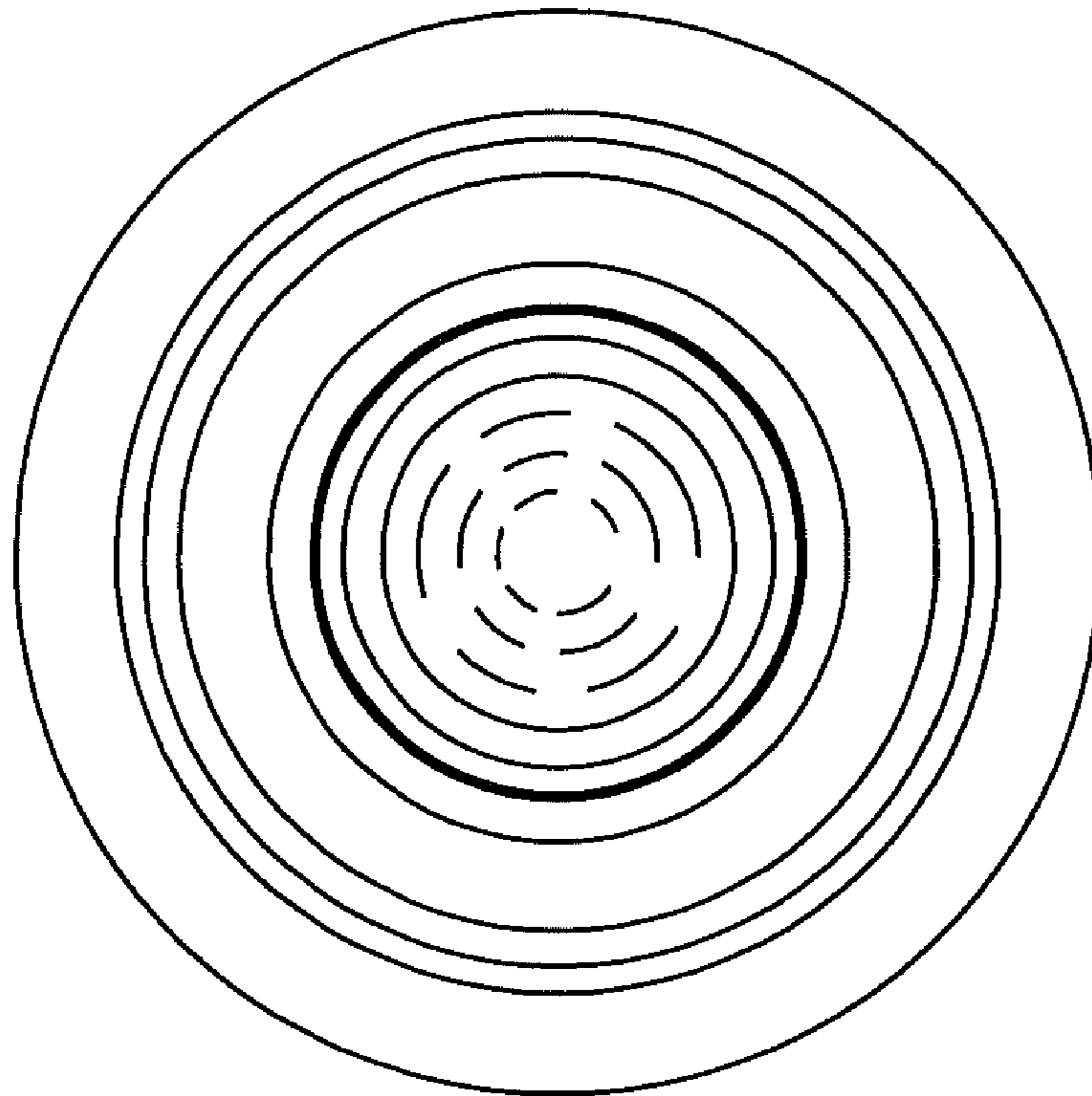


FIG. 5

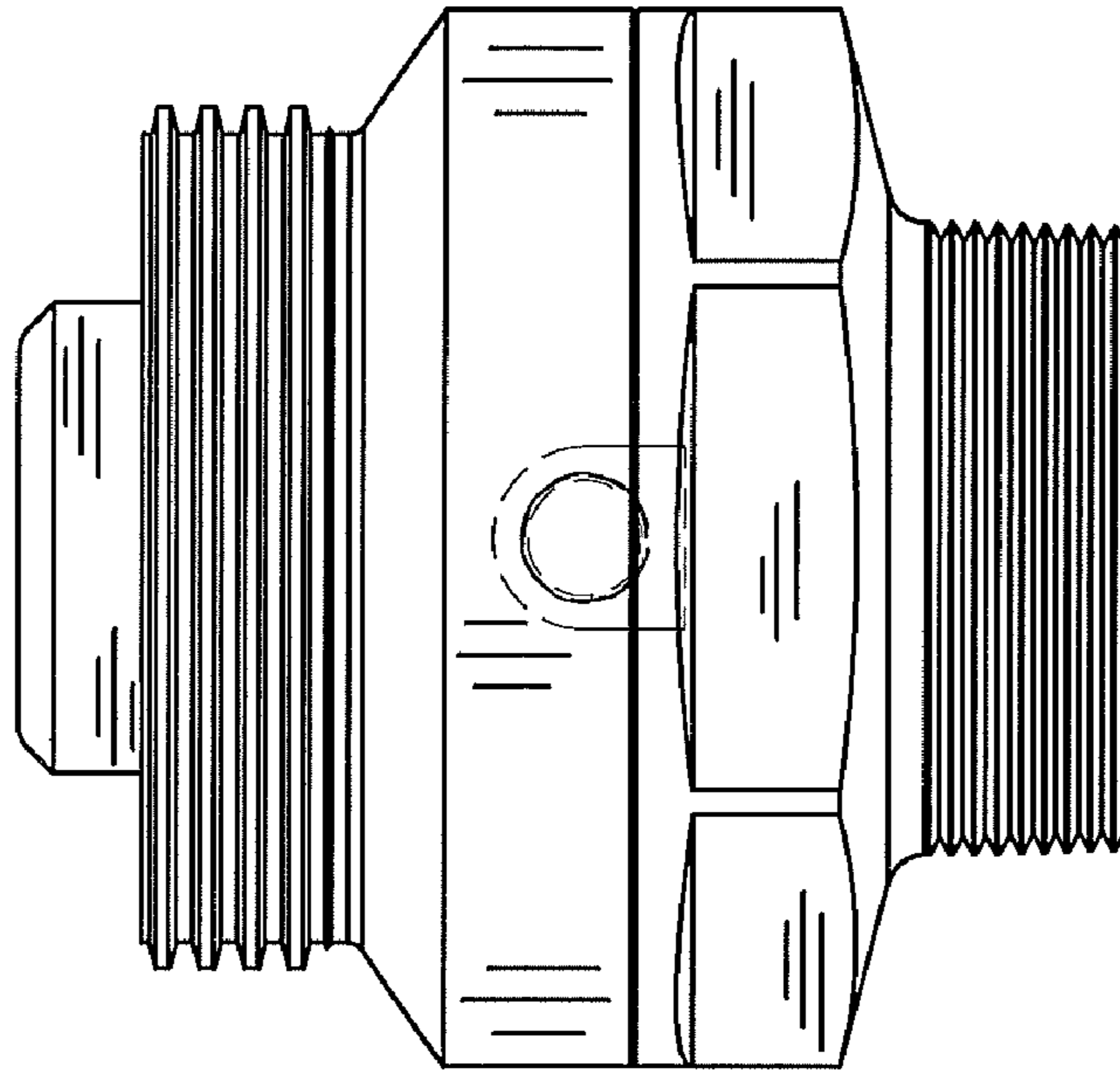


FIG. 6

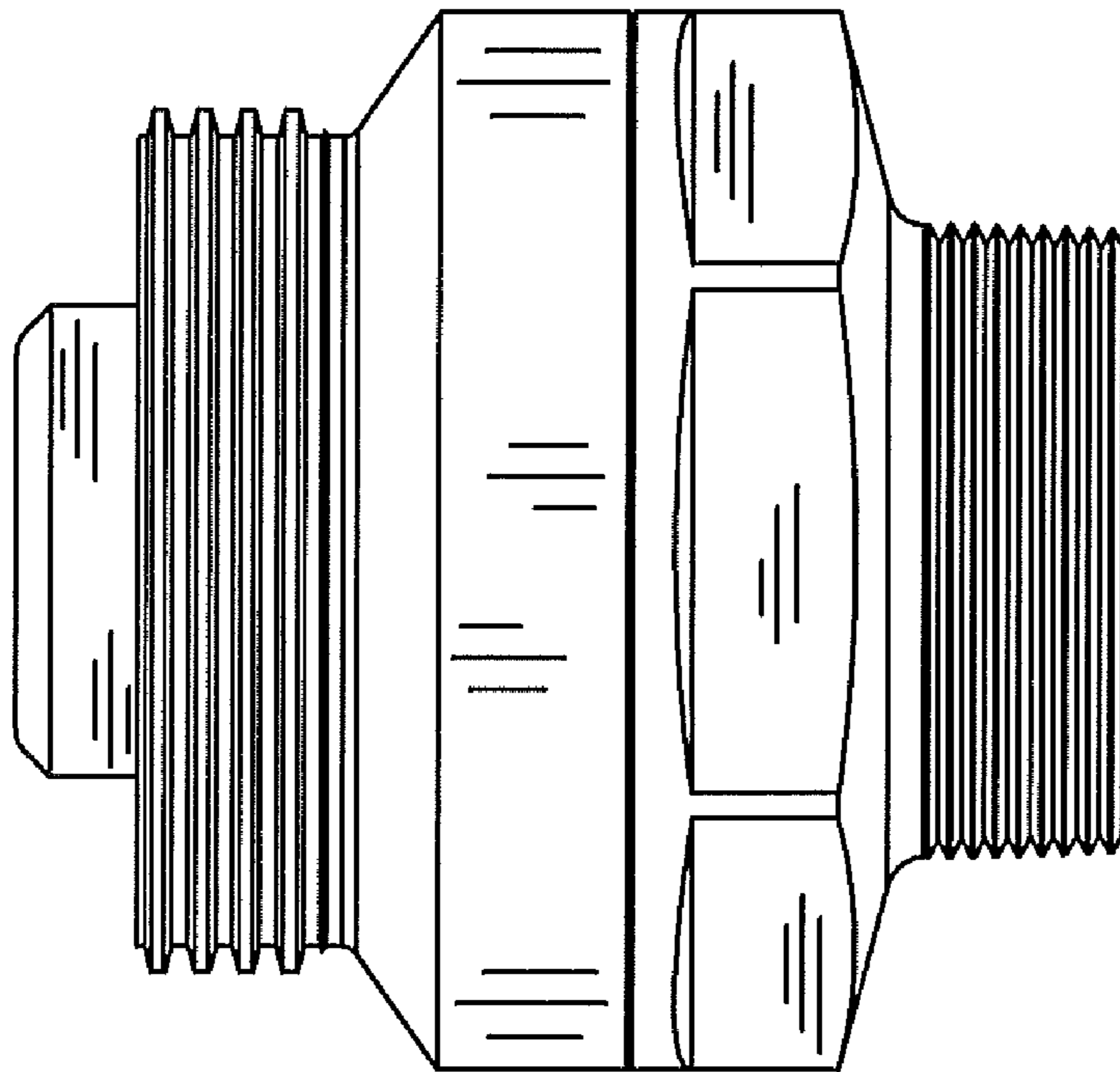


FIG. 7