



US00D624156S

(12) **United States Design Patent**
Leber

(10) **Patent No.:** **US D624,156 S**
(45) **Date of Patent:** **** Sep. 21, 2010**

(54) **PIVOT BALL ATTACHMENT**

(75) Inventor: **Leland C. Leber**, Fort Collins, CO (US)

(73) Assignee: **Water Pik, Inc.**, Fort Collins, CO (US)

(**) Term: **14 Years**

(21) Appl. No.: **29/317,507**

(22) Filed: **Apr. 30, 2008**

(51) **LOC (9) Cl.** **23-01**

(52) **U.S. Cl.** **D23/230; D23/213**

(58) **Field of Classification Search** **D23/213,**
D23/229-230; 239/587.3, 587.4, 587.5

See application file for complete search history.

(56) **References Cited**

U.S. PATENT DOCUMENTS

203,094 A 4/1878 Wakeman

(Continued)

FOREIGN PATENT DOCUMENTS

CA 659510 3/1963

(Continued)

OTHER PUBLICATIONS

Color Copy, Labeled 1A, Gemlo, available at least as early as Dec. 2, 1998.

(Continued)

Primary Examiner—Robin V Webster

(74) *Attorney, Agent, or Firm*—Dorsey & Whitney LLP

(57) **CLAIM**

The ornamental design for a pivot ball attachment, as shown and described.

DESCRIPTION

FIG. 1 is a perspective view of the pivot ball attachment with environment;

FIG. 2 is a perspective view of the pivot ball attachment of FIG. 1 without environment;

FIG. 3 is a front elevation view of the pivot ball attachment of FIG. 1;

FIG. 4 is a rear elevation view of the pivot ball attachment of FIG. 1;

FIG. 5 is a right side elevation view of the pivot ball attachment of FIG. 1;

FIG. 6 is a left side elevation view of the pivot ball attachment of FIG. 1;

FIG. 7 is a top plan view of the pivot ball attachment of FIG. 1;

FIG. 8 is a bottom view of the pivot ball attachment of FIG. 1;

FIG. 9 is a cross-sectional view of the pivot ball attachment of FIG. 1 taken along line 9—9;

FIG. 10 is a perspective view of an alternative pivot ball attachment;

FIG. 11 is a front elevation view of the pivot ball attachment of FIG. 10;

FIG. 12 is a rear elevation view of the pivot ball attachment of FIG. 10;

FIG. 13 is a right side elevation view of the pivot ball attachment of FIG. 10;

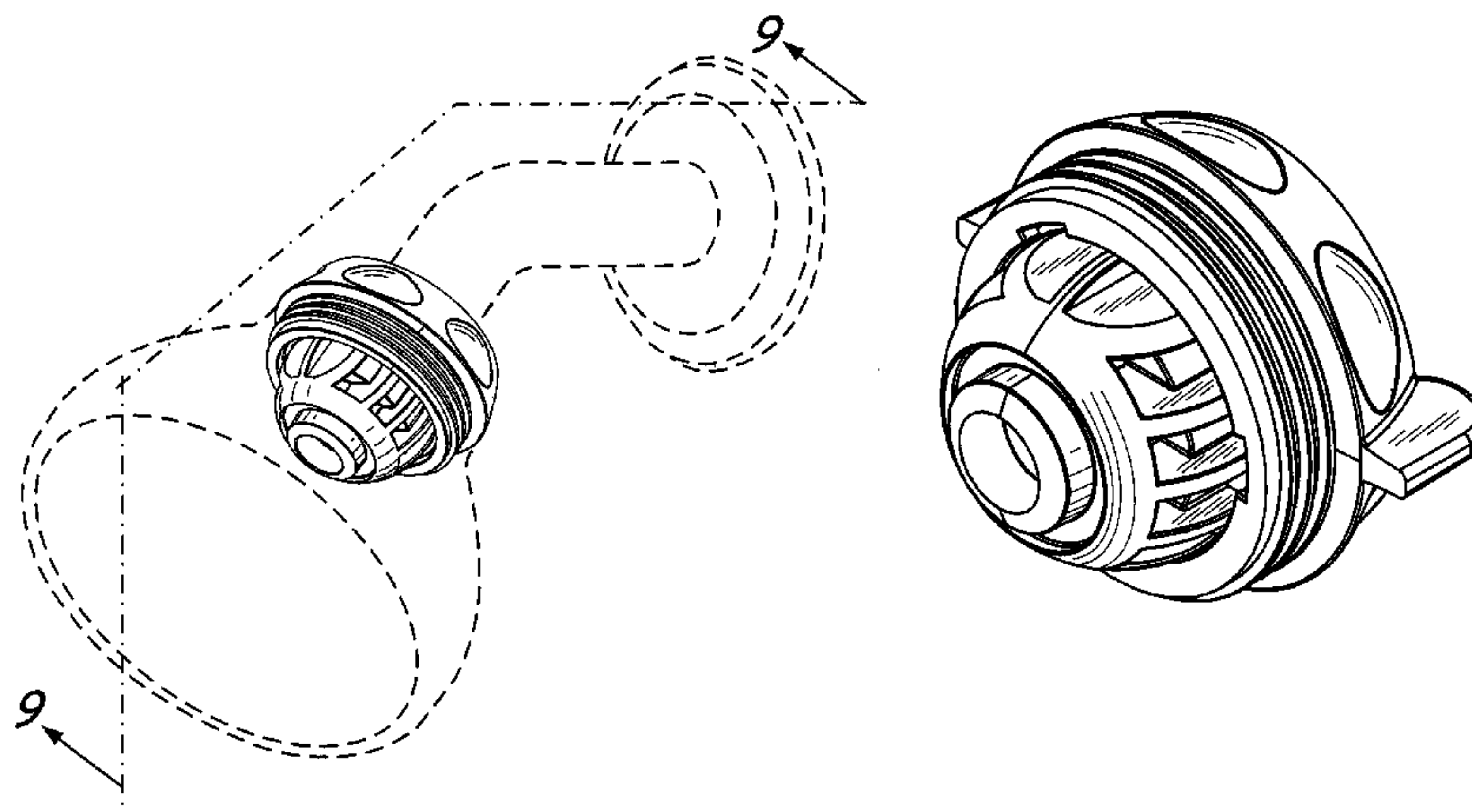
FIG. 14 is a left side elevation view of the pivot ball attachment of FIG. 10;

FIG. 15 is a top plan view of the pivot ball attachment of FIG. 10; and,

FIG. 16 is a bottom view of the pivot ball attachment of FIG. 10.

The broken lines shown in the figures for purposes of illustrating use and environment only and form no part of the claimed design.

1 Claim, 16 Drawing Sheets



US D624,156 S

Page 2

U.S. PATENT DOCUMENTS					
204,333	A	5/1878 Josias	D166,073	S	3/1952 Dunkelberger
309,349	A	12/1884 Hart	2,648,762	A	8/1953 Dunkelberger
428,023	A	5/1890 Schoff	2,664,271	A	12/1953 Arutunoff
432,712	A	7/1890 Taylor	2,671,693	A	3/1954 Hyser et al.
445,250	A	1/1891 Lawless	2,676,806	A	4/1954 Bachman
486,986	A	11/1892 Schinke	2,679,575	A	5/1954 Haberstump
566,384	A	8/1896 Engelhart	2,680,358	A	6/1954 Zublin
566,410	A	8/1896 Schinke	2,726,120	A	12/1955 Bletcher et al.
570,405	A	10/1896 Jerguson et al.	2,759,765	A	8/1956 Pawley
694,888	A	3/1902 Pfluger	2,776,168	A	1/1957 Schweda
800,802	A	10/1905 Franquist	2,792,847	A	5/1957 Spencer
832,523	A	10/1906 Anderson	2,873,999	A	2/1959 Webb
835,678	A	11/1906 Hammond	2,930,505	A	3/1960 Meyer
854,094	A	5/1907 Klein	2,931,672	A	4/1960 Merritt et al.
926,929	A	7/1909 Dusseau	2,935,265	A	5/1960 Richter
1,001,842	A	8/1911 Greenfield	2,949,242	A	8/1960 Blumberg et al.
1,003,037	A	9/1911 Crowe	2,957,587	A	10/1960 Tobin
1,018,143	A	2/1912 Vissering	2,966,311	A	12/1960 Davis
1,046,573	A	12/1912 Ellis	D190,295	S	5/1961 Becker
1,203,466	A	10/1916 Benson	2,992,437	A	7/1961 Nelson et al.
1,217,254	A	2/1917 Winslow	3,007,648	A	11/1961 Fraser
1,218,895	A	3/1917 Porter	D192,935	S	5/1962 Becker
1,255,577	A	2/1918 Berry	3,032,357	A	5/1962 Shames et al.
1,260,181	A	3/1918 Garnero	3,034,809	A	5/1962 Greenberg
1,276,117	A	8/1918 Riebe	3,037,799	A	6/1962 Mulac
1,284,099	A	11/1918 Harris	3,081,339	A	3/1963 Green et al.
1,327,428	A	1/1920 Gregory	3,092,333	A	6/1963 Gaiotto
1,451,800	A	4/1923 Agner	3,098,508	A	7/1963 Gerdes
1,459,582	A	6/1923 Dubee	3,103,723	A	9/1963 Becker
1,469,528	A	10/1923 Owens	3,104,815	A	9/1963 Schultz
1,500,921	A	7/1924 Bramson et al.	3,104,827	A	9/1963 Aghnides
1,560,789	A	11/1925 Johnson et al.	3,111,277	A	11/1963 Grimsley
1,597,477	A	8/1926 Panhorst	3,112,073	A	11/1963 Larson et al.
1,633,531	A	6/1927 Keller	3,143,857	A	8/1964 Eaton
1,692,394	A	11/1928 Sundh	3,196,463	A	7/1965 Farneth
1,695,263	A	12/1928 Jacques	3,231,200	A	1/1966 Heald
1,724,147	A	8/1929 Russell	3,236,545	A	2/1966 Parkes et al.
1,724,161	A	8/1929 Wuesthoff	3,239,152	A	3/1966 Bachli et al.
1,736,160	A	11/1929 Jonsson	3,266,059	A	8/1966 Stelle
1,754,127	A	4/1930 Srulowitz	3,272,437	A	9/1966 Coson
1,758,115	A	5/1930 Kelly	3,273,359	A	9/1966 Fregeolle
1,778,658	A	10/1930 Baker	3,306,634	A	2/1967 Groves et al.
1,821,274	A	9/1931 Plummer	3,323,148	A	6/1967 Burnon
1,849,517	A	3/1932 Fraser	3,329,967	A	7/1967 Martinez et al.
1,890,156	A	12/1932 Konig	3,341,132	A	9/1967 Parkison
1,906,575	A	5/1933 Goeriz	3,342,419	A	9/1967 Weese
1,934,553	A	11/1933 Mueller et al.	3,344,994	A	10/1967 Fife
1,946,207	A	2/1934 Haire	3,363,842	A	1/1968 Burns
2,011,446	A	8/1935 Judell	3,383,051	A	5/1968 Fiorentino
2,024,930	A	12/1935 Judell	3,389,925	A	6/1968 Gottschald
2,033,467	A	3/1936 Groeniger	3,393,311	A	7/1968 Dahl
2,044,445	A	6/1936 Price et al.	3,393,312	A	7/1968 Dahl
2,085,854	A	7/1937 Hathaway et al.	3,404,410	A	10/1968 Sumida
2,096,912	A	10/1937 Morris	3,492,029	A	1/1970 French et al.
2,117,152	A	5/1938 Crosti	3,516,611	A	6/1970 Piggott
D113,439	S	2/1939 Reinecke	3,546,961	A	12/1970 Marton
2,196,783	A	4/1940 Shook	3,550,863	A	12/1970 McDermott
2,197,667	A	4/1940 Shook	3,552,436	A	1/1971 Stewart
2,216,149	A	10/1940 Weiss	3,565,116	A	2/1971 Gabin
2,251,192	A	7/1941 Krumsiek et al.	3,566,917	A	3/1971 White
D126,433	S	8/1941 Enthof	3,580,513	A	5/1971 Martin
2,268,263	A	12/1941 Newell et al.	3,584,822	A	6/1971 Oram
2,285,831	A	6/1942 Pennypacker	3,596,835	A	8/1971 Smith et al.
2,342,757	A	2/1944 Roser	3,612,577	A	10/1971 Pope
2,402,741	A	6/1946 Draviner	3,637,143	A	1/1972 Shames et al.
D147,258	S	8/1947 Becker	3,641,333	A	2/1972 Gendron
D152,584	S	2/1949 Becker	3,647,144	A	3/1972 Parkison et al.
2,467,954	A	4/1949 Becker	3,663,044	A	5/1972 Contreras et al.
2,546,348	A	3/1951 Schuman	3,669,470	A	6/1972 Deurloo
2,567,642	A	9/1951 Penshaw	3,672,648	A	6/1972 Price
2,581,129	A	1/1952 Muldoon	3,682,392	A	8/1972 Kint
			3,685,745	A	8/1972 Peschcke-koedt
			D224,834	S	9/1972 Laudell

US D624,156 S

Page 3

3,711,029 A	1/1973	Bartlett	D261,417 S	10/1981	Klose
3,722,798 A	3/1973	Bletcher et al.	4,303,201 A	12/1981	Elkins et al.
3,722,799 A	3/1973	Rauh	4,319,608 A	3/1982	Raikov et al.
3,731,084 A	5/1973	Trevorrow	4,330,089 A	5/1982	Finkbeiner
3,754,779 A	8/1973	Peress	D266,212 S	9/1982	Haug et al.
D228,622 S	10/1973	Juhlin	4,350,298 A	9/1982	Tada
3,762,648 A	10/1973	Deines et al.	4,353,508 A	10/1982	Butterfield et al.
3,768,735 A	10/1973	Ward	4,358,056 A	11/1982	Greenhut et al.
3,786,995 A	1/1974	Manoogian et al.	D267,582 S	1/1983	Mackay et al.
3,801,019 A	4/1974	Trenary et al.	D268,359 S	3/1983	Klose
3,810,580 A	5/1974	Rauh	D268,442 S	3/1983	Darmon
3,826,454 A	7/1974	Zieger	D268,611 S	4/1983	Klose
3,840,734 A	10/1974	Oram	4,383,554 A	5/1983	Merriman
3,845,291 A	10/1974	Portyrata	4,396,797 A	8/1983	Sakuragi et al.
3,860,271 A	1/1975	Rodgers	4,398,669 A	8/1983	Fienhold
3,861,719 A	1/1975	Hand	4,425,965 A	1/1984	Bayh, III et al.
3,865,310 A	2/1975	Elkins et al.	4,432,392 A	2/1984	Paley
3,869,151 A	3/1975	Fletcher et al.	D274,457 S	6/1984	Haug
3,896,845 A	7/1975	Parker	4,461,052 A	7/1984	Mostul
3,902,671 A	9/1975	Symmons	4,465,308 A	8/1984	Martini
3,910,277 A	10/1975	Zimmer	4,467,964 A	8/1984	Kaeser
D237,708 S	11/1975	Grohe	4,495,550 A	1/1985	Visciano
3,929,164 A	12/1975	Richter	4,527,745 A	7/1985	Butterfield et al.
3,958,756 A	5/1976	Trenary et al.	4,540,202 A	9/1985	Amphoux et al.
D240,322 S	6/1976	Staub	4,545,081 A	10/1985	Nestor et al.
3,967,783 A	7/1976	Halsted et al.	4,553,775 A	11/1985	Halling
3,979,096 A	9/1976	Zieger	D281,820 S	12/1985	Oba et al.
3,997,116 A	12/1976	Moen	4,561,593 A	12/1985	Cammack et al.
3,998,390 A	12/1976	Peterson et al.	4,564,889 A	1/1986	Bolson
3,999,714 A	12/1976	Lang	4,571,003 A	2/1986	Roling et al.
4,005,880 A	2/1977	Anderson et al.	4,572,232 A	2/1986	Gruber
4,006,920 A	2/1977	Sadler et al.	D283,645 S	4/1986	Tanaka
4,023,782 A	5/1977	Eifer	4,587,991 A	5/1986	Chorkey
4,042,984 A	8/1977	Butler	4,588,130 A	5/1986	Trenary et al.
4,045,054 A	8/1977	Arnold	4,598,866 A	7/1986	Cammack et al.
D245,858 S	9/1977	Grube	4,614,303 A	9/1986	Moseley, Jr. et al.
D245,860 S	9/1977	Grube	4,616,298 A	10/1986	Bolson
4,068,801 A	1/1978	Leutheuser	4,618,100 A	10/1986	White et al.
4,081,135 A	3/1978	Tomaro	4,629,124 A	12/1986	Gruber
4,084,271 A	4/1978	Ginsberg	4,629,125 A	12/1986	Liu
4,091,998 A	5/1978	Peterson	4,643,463 A	2/1987	Halling et al.
D249,356 S	9/1978	Nagy	4,645,244 A	2/1987	Curtis
4,117,979 A	10/1978	Lagarelli et al.	RE32,386 E	3/1987	Hunter
4,129,257 A	12/1978	Eggert	4,650,120 A	3/1987	Kress
4,130,120 A	12/1978	Kohler, Jr.	4,650,470 A	3/1987	Epstein
4,131,233 A	12/1978	Koenig	4,652,025 A	3/1987	Conroy, Sr.
4,133,486 A	1/1979	Fanella	4,654,900 A	4/1987	McGhee
4,135,549 A	1/1979	Baker	4,657,185 A	4/1987	Rundzaitis
D251,045 S	2/1979	Grube	4,669,666 A	6/1987	Finkbeiner
4,141,502 A	2/1979	Grohe	4,669,757 A	6/1987	Bartholomew
4,151,955 A	5/1979	Stouffer	4,674,687 A	6/1987	Smith et al.
4,151,957 A	5/1979	Gecewicz et al.	4,683,917 A	8/1987	Bartholomew
4,162,801 A	7/1979	Kresky et al.	4,703,893 A	11/1987	Gruber
4,165,837 A	8/1979	Rundzaitis	4,719,654 A	1/1988	Blessing
4,167,196 A	9/1979	Morris	4,733,337 A	3/1988	Bieberstein
4,174,822 A	11/1979	Larsson	D295,437 S	4/1988	Fabian
4,185,781 A	1/1980	O'Brien	4,739,801 A	4/1988	Kimura et al.
4,190,207 A	2/1980	Fienhold et al.	4,749,126 A	6/1988	Kessener et al.
4,191,332 A	3/1980	De Langis et al.	D296,582 S	7/1988	Haug et al.
4,203,550 A	5/1980	On	4,754,928 A	7/1988	Rogers et al.
4,209,132 A	6/1980	Kwan	D297,160 S	8/1988	Robbins
D255,626 S	7/1980	Grube	4,764,047 A	8/1988	Johnston et al.
4,219,160 A	8/1980	Allred, Jr.	4,778,104 A	10/1988	Fisher
4,221,338 A	9/1980	Shames et al.	4,787,591 A	11/1988	Villacorta
4,243,253 A	1/1981	Rogers, Jr.	4,790,294 A	12/1988	Allred, III et al.
4,244,526 A	1/1981	Arth	4,801,091 A	1/1989	Sandvik
D258,677 S	3/1981	Larsson	4,809,369 A	3/1989	Bowden
4,254,914 A	3/1981	Shames et al.	4,839,599 A	6/1989	Fischer
4,258,414 A	3/1981	Sokol	4,842,059 A	6/1989	Tomek
4,272,022 A	6/1981	Evans	D302,325 S	7/1989	Charet et al.
4,274,400 A	6/1981	Baus	4,850,616 A	7/1989	Pava
4,282,612 A	8/1981	King	4,854,499 A	8/1989	Neuman
D261,300 S	10/1981	Klose	4,856,822 A	8/1989	Parker

US D624,156 S

Page 4

4,865,362 A	9/1989	Holden	5,197,767 A	3/1993	Kimura et al.
D303,830 S	10/1989	Ramsey et al.	D334,794 S	4/1993	Klose
4,871,196 A	10/1989	Kingsford	D335,171 S	4/1993	Lenci et al.
4,896,658 A	1/1990	Yonekubo et al.	5,201,468 A	4/1993	Freier et al.
D306,351 S	2/1990	Charet et al.	5,206,963 A	5/1993	Wiens
4,901,927 A	2/1990	Valdivia	5,207,499 A	5/1993	Vajda et al.
4,903,178 A	2/1990	Englot et al.	5,213,267 A	5/1993	Heimann et al.
4,903,897 A	2/1990	Hayes	5,220,697 A	6/1993	Birchfield
4,903,922 A	2/1990	Harris, III	D337,839 S	7/1993	Zeller
4,907,137 A	3/1990	Schladitz et al.	5,228,625 A	7/1993	Grassberger
4,907,744 A	3/1990	Jousson	5,230,106 A	7/1993	Henkin et al.
4,909,435 A	3/1990	Kidouchi et al.	D338,542 S	8/1993	Yuen
4,914,759 A	4/1990	Goff	5,232,162 A	8/1993	Chih
4,946,202 A	8/1990	Perricone	D339,492 S	9/1993	Klose
4,951,329 A	8/1990	Shaw	D339,627 S	9/1993	Klose
4,953,585 A	9/1990	Rollini et al.	D339,848 S	9/1993	Gottwald
4,964,573 A	10/1990	Lipski	5,246,169 A	9/1993	Heimann et al.
4,972,048 A	11/1990	Martin	5,246,301 A	9/1993	Hirasawa
D313,267 S	12/1990	Lenci et al.	D340,376 S	10/1993	Klose
4,976,460 A	12/1990	Newcombe et al.	5,253,670 A	10/1993	Perrott
D314,246 S	1/1991	Bache	5,253,807 A	10/1993	Newbegin
D315,191 S	3/1991	Mikol	5,254,809 A	10/1993	Martin
4,998,673 A	3/1991	Pilolla	D341,007 S	11/1993	Haug et al.
5,004,158 A	4/1991	Halem et al.	D341,191 S	11/1993	Klose
D317,348 S	6/1991	Geneve et al.	D341,220 S	11/1993	Eagan
5,020,570 A	6/1991	Cotter	5,263,646 A	11/1993	McCauley
5,022,103 A	6/1991	Faist	5,265,833 A	11/1993	Heimann et al.
5,032,015 A	7/1991	Christianson	5,268,826 A	12/1993	Greene
5,033,528 A	7/1991	Volcani	5,276,596 A	1/1994	Krenzel
5,033,897 A	7/1991	Chen	5,277,391 A	1/1994	Haug et al.
D319,294 S	8/1991	Kohler, Jr. et al.	5,286,071 A	2/1994	Storage
D320,064 S	9/1991	Presman	5,288,110 A	2/1994	Allread
5,046,764 A	9/1991	Kimura et al.	5,294,054 A	3/1994	Benedict et al.
D321,062 S	10/1991	Bonbright	5,297,735 A	3/1994	Heimann et al.
5,058,804 A	10/1991	Yonekubo et al.	5,297,739 A	3/1994	Allen
D322,119 S	12/1991	Haug et al.	D345,811 S	4/1994	Van Deursen et al.
D322,681 S	12/1991	Yuen	D346,426 S	4/1994	Warshawsky
5,070,552 A	12/1991	Gentry et al.	D346,428 S	4/1994	Warshawsky
D323,545 S	1/1992	Ward	D346,430 S	4/1994	Warshawsky
5,082,019 A	1/1992	Tetrault	D347,262 S	5/1994	Black et al.
5,086,878 A	2/1992	Swift	D347,265 S	5/1994	Gottwald
5,090,624 A	2/1992	Rogers	5,316,216 A	5/1994	Cammack et al.
5,100,055 A	3/1992	Rokitenetz, deceased et al.	D348,720 S	7/1994	Haug et al.
D325,769 S	4/1992	Haug et al.	5,329,650 A	7/1994	Zaccai et al.
D325,770 S	4/1992	Haug et al.	D349,947 S	8/1994	Hing-Wah
5,103,384 A	4/1992	Drohan	5,333,787 A	8/1994	Smith et al.
D326,311 S	5/1992	Lenci et al.	5,333,789 A	8/1994	Garneys
D327,115 S	6/1992	Rogers	5,340,064 A	8/1994	Heimann et al.
5,121,511 A	6/1992	Sakamoto et al.	5,340,165 A	8/1994	Sheppard
D327,729 S	7/1992	Rogers	D350,808 S	9/1994	Warshawsky
5,127,580 A	7/1992	Fu-I	5,344,080 A	9/1994	Matsui
5,134,251 A	7/1992	Martin	5,349,987 A	9/1994	Shieh
D328,944 S	8/1992	Robbins	5,356,076 A	10/1994	Bishop
5,141,016 A	8/1992	Nowicki	5,356,077 A	10/1994	Shames
D329,504 S	9/1992	Yuen	D352,092 S	11/1994	Warshawsky
5,143,300 A	9/1992	Cutler	D352,347 S	11/1994	Dannenberg
5,145,114 A	9/1992	Monch	D352,766 S	11/1994	Hill et al.
5,148,556 A	9/1992	Bottoms et al.	5,368,235 A	11/1994	Drozdoff et al.
D330,068 S	10/1992	Haug et al.	5,369,556 A	11/1994	Zeller
D330,408 S	10/1992	Thacker	5,370,427 A	12/1994	Hoelle et al.
D330,409 S	10/1992	Raffo	5,385,500 A	1/1995	Schmidt
5,153,976 A	10/1992	Benchaar et al.	D355,242 S	2/1995	Warshawsky
5,154,355 A	10/1992	Gonzalez	D355,703 S	2/1995	Duell
5,154,483 A	10/1992	Zeller	D356,626 S	3/1995	Wang
5,161,567 A	11/1992	Humpert	5,397,064 A	3/1995	Heitzman
5,163,752 A	11/1992	Copeland et al.	5,398,872 A	3/1995	Joubran
5,171,429 A	12/1992	Yasuo	5,398,977 A	3/1995	Berger et al.
5,172,860 A	12/1992	Yuch	5,402,812 A	4/1995	Moineau et al.
5,172,862 A	12/1992	Heimann et al.	5,405,089 A	4/1995	Heimann et al.
5,172,866 A	12/1992	Ward	5,414,879 A	5/1995	Hiraishi et al.
D332,303 S	1/1993	Klose	5,423,348 A	6/1995	Jezek et al.
D332,994 S	2/1993	Huen	5,433,384 A	7/1995	Chan et al.
D333,339 S	2/1993	Klose	D361,399 S	8/1995	Carbone et al.

US D624,156 S

Page 5

D361,623 S	8/1995	Huen	D374,299 S	10/1996	Carbone
5,441,075 A	8/1995	Clare	D374,493 S	10/1996	Szymanski
5,449,206 A	9/1995	Lockwood	D374,494 S	10/1996	Santarsiero
D363,360 S	10/1995	Santarsiero	D374,732 S	10/1996	Kaiser
5,454,809 A	10/1995	Janssen	D374,733 S	10/1996	Santarsiero
5,468,057 A	11/1995	Megerle et al.	5,560,548 A	10/1996	Mueller et al.
D364,935 S	12/1995	deBlois	5,567,115 A	10/1996	Carbone
D365,625 S	12/1995	Bova	D375,541 S	11/1996	Michaluk
D365,646 S	12/1995	deBlois	5,577,664 A	11/1996	Heitzman
5,476,225 A	12/1995	Chan	D376,217 S	12/1996	Kaiser
D366,309 S	1/1996	Huang	D376,860 S	12/1996	Santarsiero
D366,707 S	1/1996	Kaiser	D376,861 S	12/1996	Johnstone et al.
D366,708 S	1/1996	Santarsiero	D376,862 S	12/1996	Carbone
D366,709 S	1/1996	Szymanski	5,605,173 A	2/1997	Arnaud
D366,710 S	1/1996	Szymanski	D378,401 S	3/1997	Neufeld et al.
5,481,765 A	1/1996	Wang	5,613,638 A	3/1997	Blessing
D366,948 S	2/1996	Carbone	5,613,639 A	3/1997	Storm et al.
D367,315 S	2/1996	Andrus	5,615,837 A	4/1997	Roman
D367,333 S	2/1996	Swyst	5,624,074 A	4/1997	Parisi
D367,696 S	3/1996	Andrus	5,624,498 A	4/1997	Lee et al.
D367,934 S	3/1996	Carbone	D379,212 S	5/1997	Chan
D368,146 S	3/1996	Carbone	D379,404 S	5/1997	Spelts
D368,317 S	3/1996	Swyst	5,632,049 A	5/1997	Chen
5,499,767 A	3/1996	Morand	D381,405 S	7/1997	Waidele et al.
D368,539 S	4/1996	Carbone et al.	D381,737 S	7/1997	Chan
D368,540 S	4/1996	Santarsiero	D382,936 S	8/1997	Shfaram
D368,541 S	4/1996	Kaiser et al.	5,653,260 A	8/1997	Huber
D368,542 S	4/1996	deBlois et al.	5,667,146 A	9/1997	Pimentel et al.
D369,204 S	4/1996	Andrus	D385,332 S	10/1997	Andrus
D369,205 S	4/1996	Andrus	D385,333 S	10/1997	Caroen et al.
5,507,436 A	4/1996	Ruttenberg	D385,334 S	10/1997	Caroen et al.
D369,873 S	5/1996	deBlois et al.	D385,616 S	10/1997	Dow et al.
D369,874 S	5/1996	Santarsiero	D385,947 S	11/1997	Dow et al.
D369,875 S	5/1996	Carbone	D387,230 S	12/1997	von Buelow et al.
D370,052 S	5/1996	Chan et al.	5,699,964 A	12/1997	Bergmann et al.
D370,250 S	5/1996	Fawcett et al.	5,702,057 A	12/1997	Huber
D370,277 S	5/1996	Kaiser	D389,558 S	1/1998	Andrus
D370,278 S	5/1996	Nolan	5,704,080 A	1/1998	Kuhne
D370,279 S	5/1996	deBlois	5,718,380 A	2/1998	Schorn et al.
D370,280 S	5/1996	Kaiser	D392,369 S	3/1998	Chan
D370,281 S	5/1996	Johnstone et al.	5,730,361 A	3/1998	Thonnes
5,517,392 A	5/1996	Rouso et al.	5,730,362 A	3/1998	Cordes
5,521,803 A	5/1996	Eckert et al.	5,730,363 A	3/1998	Kress
D370,542 S	6/1996	Santarsiero	5,742,961 A	4/1998	Casperson et al.
D370,735 S	6/1996	deBlois	D394,490 S	5/1998	Andrus et al.
D370,987 S	6/1996	Santarsiero	5,746,375 A	5/1998	Guo
D370,988 S	6/1996	Santarsiero	5,749,552 A	5/1998	Fan
D371,448 S	7/1996	Santarsiero	5,749,602 A	5/1998	Delaney et al.
D371,618 S	7/1996	Nolan	D394,899 S	6/1998	Caroen et al.
D371,619 S	7/1996	Szymanski	D395,074 S	6/1998	Neibrook
D371,856 S	7/1996	Carbone	D395,075 S	6/1998	Kolada
D372,318 S	7/1996	Szymanski	D395,142 S	6/1998	Neibrook
D372,319 S	7/1996	Carbone	5,765,760 A	6/1998	Kuo
5,531,625 A	7/1996	Zhong	5,769,802 A	6/1998	Wang
5,539,624 A	7/1996	Dougherty	5,772,120 A	6/1998	Huber
D372,548 S	8/1996	Carbone	5,778,939 A	7/1998	Hok-Yin
D372,998 S	8/1996	Carbone	5,788,157 A	8/1998	Kress
D373,210 S	8/1996	Santarsiero	D398,370 S	9/1998	Purdy
D373,434 S	9/1996	Nolan	5,806,771 A	9/1998	Loschelder et al.
D373,435 S	9/1996	Nolan	5,819,791 A	10/1998	Chronister et al.
D373,645 S	9/1996	Johnstone et al.	5,820,574 A	10/1998	Henkin et al.
D373,646 S	9/1996	Szymanski et al.	5,823,431 A	10/1998	Pierce
D373,647 S	9/1996	Kaiser	5,823,442 A	10/1998	Guo
D373,648 S	9/1996	Kaiser	5,833,138 A	11/1998	Crane et al.
D373,649 S	9/1996	Carbone	5,839,666 A	11/1998	Heimann et al.
D373,651 S	9/1996	Szymanski	D402,350 S	12/1998	Andrus
D373,652 S	9/1996	Kaiser	D403,754 S	1/1999	Gottwald
5,551,637 A	9/1996	Lo	D404,116 S	1/1999	Bosio
5,552,973 A	9/1996	Hsu	5,855,348 A	1/1999	Fornara
5,558,278 A	9/1996	Gallorini	5,860,599 A	1/1999	Lin
D374,271 S	10/1996	Fleischmann	5,862,543 A	1/1999	Reynoso et al.
D374,297 S	10/1996	Kaiser	5,862,985 A	1/1999	Neibrook et al.
D374,298 S	10/1996	Swyst	D405,502 S	2/1999	Tse

US D624,156 S

5,865,375 A	2/1999	Hsu	D443,336 S	6/2001	Kollmann et al.
5,865,378 A	2/1999	Hollinshead et al.	D443,347 S	6/2001	Gottwald
5,873,647 A	2/1999	Kurtz et al.	6,250,572 B1	6/2001	Chen
D408,893 S	4/1999	Tse	D444,865 S	7/2001	Gottwald
D409,276 S	5/1999	Ratzlaff	D445,871 S	7/2001	Fan
D410,276 S	5/1999	Ben-Tsur	6,254,014 B1	7/2001	Clearman et al.
5,918,809 A	7/1999	Simmons	6,270,278 B1	8/2001	Mauro
5,918,811 A	7/1999	Denham et al.	6,276,004 B1	8/2001	Bertrand et al.
D413,157 S	8/1999	Ratzlaff	6,283,447 B1	9/2001	Fleet
5,937,905 A	8/1999	Santos	6,286,764 B1	9/2001	Garvey et al.
5,938,123 A	8/1999	Heitzman	D449,673 S	10/2001	Kollmann et al.
5,947,388 A	9/1999	Woodruff	D450,370 S	11/2001	Wales et al.
D415,247 S	10/1999	Haverstraw et al.	D450,805 S	11/2001	Lindholm et al.
5,961,046 A	10/1999	Joubran	D450,806 S	11/2001	Lindholm et al.
5,979,776 A	11/1999	Williams	D450,807 S	11/2001	Lindholm et al.
5,992,762 A	11/1999	Wang	D451,169 S	11/2001	Lindholm et al.
D418,200 S	12/1999	Ben-Tsur	D451,170 S	11/2001	Lindholm et al.
5,997,047 A	12/1999	Pimentel et al.	D451,171 S	11/2001	Lindholm et al.
6,003,165 A	12/1999	Loyd	D451,172 S	11/2001	Lindholm et al.
D418,902 S	1/2000	Haverstraw et al.	6,321,777 B1	11/2001	Wu
D418,903 S	1/2000	Haverstraw et al.	6,322,006 B1	11/2001	Guo
D418,904 S	1/2000	Milrud	D451,583 S	12/2001	Lindholm et al.
D421,099 S	2/2000	Mullenmeister	D451,980 S	12/2001	Lindholm et al.
6,021,960 A	2/2000	Kehat	D452,553 S	12/2001	Lindholm et al.
D422,053 S	3/2000	Brenner et al.	D452,725 S	1/2002	Lindholm et al.
6,042,027 A	3/2000	Sandvik	D452,897 S	1/2002	Gillette et al.
6,042,155 A	3/2000	Lockwood	D453,369 S	2/2002	Lobermeier
D422,336 S	4/2000	Haverstraw et al.	D453,370 S	2/2002	Lindholm et al.
D422,337 S	4/2000	Chan	D453,551 S	2/2002	Lindholm et al.
D423,083 S	4/2000	Haug et al.	6,349,735 B2	2/2002	Gul
D423,110 S	4/2000	Cipkowski	D454,617 S	3/2002	Curbbun et al.
D424,160 S	5/2000	Haug et al.	D454,938 S	3/2002	Lord
D424,161 S	5/2000	Haug et al.	6,375,342 B1	4/2002	Koren et al.
D424,162 S	5/2000	Haug et al.	D457,937 S	5/2002	Lindholm et al.
D424,163 S	5/2000	Haug et al.	6,382,531 B1	5/2002	Tracy
D426,290 S	6/2000	Haug et al.	D458,348 S	6/2002	Mullenmeister
D427,661 S	7/2000	Haverstraw et al.	6,412,711 B1	7/2002	Fan
D428,110 S	7/2000	Haug et al.	D461,224 S	8/2002	Lobermeier
D428,125 S	7/2000	Chan	D461,878 S	8/2002	Green et al.
6,085,780 A	7/2000	Morris	6,450,425 B1	9/2002	Chen
D430,267 S	8/2000	Milrud et al.	6,454,186 B2	9/2002	Haverstraw et al.
6,095,801 A	8/2000	Spiewak	6,464,265 B1	10/2002	Mikol
D430,643 S	9/2000	Tse	D465,552 S	11/2002	Tse
6,113,002 A	9/2000	Finkbeiner	D465,553 S	11/2002	Singtoroj
6,123,272 A	9/2000	Havican et al.	6,484,952 B2	11/2002	Koren
6,123,308 A	9/2000	Faisst	D468,800 S	1/2003	Tse
D432,624 S	10/2000	Chan	D469,165 S	1/2003	Lim
D432,625 S	10/2000	Chan	6,502,796 B1	1/2003	Wales
D433,096 S	10/2000	Tse	6,508,415 B2 *	1/2003	Wang 239/526
D433,097 S	10/2000	Tse	D470,219 S	2/2003	Schweitzer
6,126,091 A	10/2000	Heitzman	6,516,070 B2	2/2003	Macey
6,126,290 A	10/2000	Veigel	D471,253 S	3/2003	Tse
D434,109 S	11/2000	Ko	D471,953 S	3/2003	Colligan et al.
6,164,569 A	12/2000	Hollinshead et al.	6,533,194 B2	3/2003	Marsh et al.
6,164,570 A	12/2000	Smeltzer	6,537,455 B2	3/2003	Farley
D435,889 S	1/2001	Ben-Tsur et al.	D472,958 S	4/2003	Ouyoung
D439,305 S	3/2001	Slothower	6,550,697 B2	4/2003	Lai
6,199,580 B1	3/2001	Morris	6,595,439 B1	7/2003	Chen
6,202,679 B1	3/2001	Titus	6,607,148 B1	8/2003	Marsh et al.
D440,276 S	4/2001	Slothower	6,611,971 B1	9/2003	Antoniello et al.
D440,277 S	4/2001	Slothower	6,637,676 B2	10/2003	Zieger et al.
D440,278 S	4/2001	Slothower	6,641,057 B2	11/2003	Thomas et al.
D441,059 S	4/2001	Fleischmann	D483,837 S	12/2003	Fan
6,209,799 B1	4/2001	Finkbeiner	6,659,117 B2	12/2003	Gilmore
D443,025 S	5/2001	Kollmann et al.	6,659,372 B2	12/2003	Marsh et al.
D443,026 S	5/2001	Kollmann et al.	D485,887 S	1/2004	Luetngen et al.
D443,027 S	5/2001	Kollmann et al.	D486,888 S	2/2004	Lobermeier
D443,029 S	5/2001	Kollmann et al.	6,691,338 B2	2/2004	Zieger
6,223,998 B1	5/2001	Heitzman	D487,301 S	3/2004	Haug et al.
6,230,984 B1	5/2001	Jager	D487,498 S	3/2004	Blomstrom
6,230,988 B1	5/2001	Chao et al.	6,701,953 B2	3/2004	Agosta
6,230,989 B1	5/2001	Haverstraw et al.	D489,798 S	5/2004	Hunt
D443,335 S	6/2001	Andrus	D490,498 S	5/2004	Golichowski

US D624,156 S

6,736,336 B2	5/2004	Wong	D559,357 S	1/2008	Wang et al.
6,739,523 B2	5/2004	Haverstraw et al.	D559,945 S	1/2008	Patterson et al.
6,739,527 B1	5/2004	Chung	D560,269 S	1/2008	Tse
D492,004 S	6/2004	Haug et al.	D562,937 S	2/2008	Schonherr et al.
D492,007 S	6/2004	Kollmann et al.	D562,938 S	2/2008	Blessing
6,742,725 B1	6/2004	Fan	D562,941 S	2/2008	Pan
D493,208 S	7/2004	Lin	7,331,536 B1	2/2008	Zhen et al.
D493,864 S	8/2004	Haug et al.	7,347,388 B2	3/2008	Chung
D494,655 S	8/2004	Lin	D565,699 S	4/2008	Berberet
D494,661 S	8/2004	Zieger et al.	D565,703 S	4/2008	Lammel et al.
D495,027 S	8/2004	Mazzola	D566,228 S	4/2008	Neagoe
6,776,357 B1	8/2004	Naito	D566,229 S	4/2008	Rexach
6,789,751 B1	9/2004	Fan	D567,328 S	4/2008	Spangler et al.
D496,987 S	10/2004	Glunk	7,360,723 B2	4/2008	Lev
D497,974 S	11/2004	Haug et al.	7,364,097 B2	4/2008	Okuma
D498,514 S	11/2004	Haug et al.	7,374,112 B1	5/2008	Bulan et al.
D500,121 S	12/2004	Blomstrom	7,384,007 B2	6/2008	Ho
D500,549 S	1/2005	Blomstrom	D577,099 S	9/2008	Leber
D501,242 S	1/2005	Blomstrom	D577,793 S	9/2008	Leber
D502,760 S	3/2005	Zieger et al.	D580,012 S	11/2008	Quinn et al.
D502,761 S	3/2005	Zieger et al.	D580,513 S	11/2008	Quinn et al.
D503,211 S	3/2005	Lin	D581,013 S	11/2008	Citterio
D503,774 S	4/2005	Zieger	D581,014 S	11/2008	Quinn et al.
D503,775 S	4/2005	Zieger	D590,048 S	4/2009	Leber et al.
D503,966 S	4/2005	Zieger	7,520,448 B2	4/2009	Luetzgen et al.
6,899,292 B2	5/2005	Titinet	2003/0062426 A1	4/2003	Gregory et al.
D506,243 S	6/2005	Wu	2004/0118949 A1	6/2004	Marks
D507,037 S	7/2005	Wu	2005/0001072 A1	1/2005	Bolus et al.
6,935,581 B2	8/2005	Titinet	2005/0082824 A1	4/2005	Luetzgen et al.
D509,280 S	9/2005	Bailey et al.	2005/0284967 A1	12/2005	Korb
D509,563 S	9/2005	Bailey et al.	2006/0016913 A1	1/2006	Lo
D510,123 S	9/2005	Tsai	2006/0043214 A1	3/2006	Macan et al.
D511,809 S	11/2005	Haug et al.	2006/0060678 A1	3/2006	Mazzola
D512,119 S	11/2005	Haug et al.	2006/0102747 A1	5/2006	Ho
6,981,661 B1	1/2006	Chen	2006/0157590 A1	7/2006	Clearman et al.
D516,169 S	2/2006	Wu	2006/0163391 A1	7/2006	Schorn
7,004,409 B2	2/2006	Okubo	2006/0219822 A1	10/2006	Miller et al.
D520,109 S	5/2006	Wu	2006/0283986 A1	12/2006	Chung
7,048,210 B2	5/2006	Clark	2007/0040054 A1	2/2007	Farzan
7,055,767 B1	6/2006	Ko	2007/0200013 A1	8/2007	Hsiao
7,070,125 B2	7/2006	Williams et al.	2007/0246577 A1	10/2007	Leber
D527,440 S	8/2006	Macan	2007/0272770 A1	11/2007	Leber et al.
7,097,122 B1 *	8/2006	Farley 239/553	2008/0073449 A1	3/2008	Haynes et al.
D528,631 S	9/2006	Gillette et al.	2008/0083844 A1	4/2008	Leber et al.
7,100,845 B1	9/2006	Hsieh	2008/0111004 A1	5/2008	Huffman
7,111,798 B2	9/2006	Thomas et al.	2008/0121293 A1	5/2008	Leber et al.
D530,389 S	10/2006	Genslak et al.	2008/0156897 A1	7/2008	Leber
D530,392 S	10/2006	Tse	2008/0156902 A1	7/2008	Luetzgen et al.
7,114,666 B2	10/2006	Luetzgen et al.	2008/0156903 A1	7/2008	Leber
D533,253 S	12/2006	Luetzgen et al.	2008/0223957 A1	9/2008	Schorn
D534,239 S	12/2006	Dingler et al.	2008/0272203 A1	11/2008	Leber
D535,354 S	1/2007	Wu	2008/0272591 A1	11/2008	Leber
D536,060 S	1/2007	Sadler			
7,156,325 B1	1/2007	Chen			
D538,391 S	3/2007	Mazzola			
D540,424 S	4/2007	Kirar	CH	234284	3/1963
D540,425 S	4/2007	Endo et al.	DE	352813	5/1922
D540,426 S	4/2007	Cropelli	DE	848627	9/1952
D540,427 S	4/2007	Bouroullec et al.	DE	854100	10/1952
D542,391 S	5/2007	Gilbert	DE	2360534	6/1974
D542,393 S	5/2007	Haug et al.	DE	2806093	8/1979
7,229,031 B2	6/2007	Schmidt	DE	3107808	9/1982
7,243,863 B2	7/2007	Glunk	DE	3246327	6/1984
7,246,760 B2 *	7/2007	Marty et al. 239/587.4	DE	3440901	7/1985
D552,713 S	10/2007	Rexach	DE	3706320	3/1988
7,278,591 B2	10/2007	Clearman et al.	DE	8804236	6/1988
D556,295 S	11/2007	Genord et al.	DE	4034695	5/1991
7,299,510 B2	11/2007	Tsai	DE	19608085	9/1996
D557,763 S	12/2007	Schonherr et al.	EP	0167063	6/1985
D557,764 S	12/2007	Schonherr et al.	EP	0478999	4/1992
D557,765 S	12/2007	Schonherr et al.	EP	0514753	11/1992
D558,301 S	12/2007	Hoernig	EP	0617644	10/1994
7,303,151 B2	12/2007	Wu	EP	0683354	11/1995

FOREIGN PATENT DOCUMENTS

US D624,156 S

Page 8

EP	0687851	12/1995	GB	2298595	11/1996
EP	0695907	2/1996	IT	327400	7/1935
EP	0719588	7/1996	IT	350359	7/1937
EP	0721082	7/1996	IT	563459	5/1957
EP	0733747	9/1996	JP	63-181459	11/1988
EP	0808661	11/1997	JP	2-78660	6/1990
EP	0726811	1/1998	JP	4062238	2/1992
FR	538538	6/1922	JP	4146708	5/1992
FR	873808	7/1942	NL	8902957	6/1991
FR	1039750	10/1953	WO	WO93/12894	7/1993
FR	1098836	8/1955	WO	WO93/25839	12/1993
FR	2596492	10/1987	WO	WO96/00617	1/1996
FR	2695452	3/1994	WO	WO98/30336	7/1998
GB	10086	4/1894	WO	WO00/10720	3/2000
GB	3314	12/1914			
GB	129812	7/1919			
GB	204600	10/1923			
GB	634483	3/1950			
GB	971866	10/1964			
GB	1111126	4/1968			
GB	2066074	1/1980			
GB	2066704	7/1981			
GB	2068778	8/1981			
GB	2121319	12/1983			
GB	2155984	10/1985			
GB	2156932 A	10/1985			
GB	2199771	7/1988			

OTHER PUBLICATIONS

Color Copy, Labeled 1B, Gemlo, available at least as early as Dec. 2, 1998.

Notice of Allowance, U.S. Appl. No. 29/325,303, 8 pages, filed Mar. 31, 2009.

Notice of Allowance, U.S. Appl. No. 29/325,303, 26 pages, filed May 19, 2009.

Notice of Allowance, U.S. Appl. No. 29/325,301, 9 pages, filed Apr. 1, 2009.

* cited by examiner

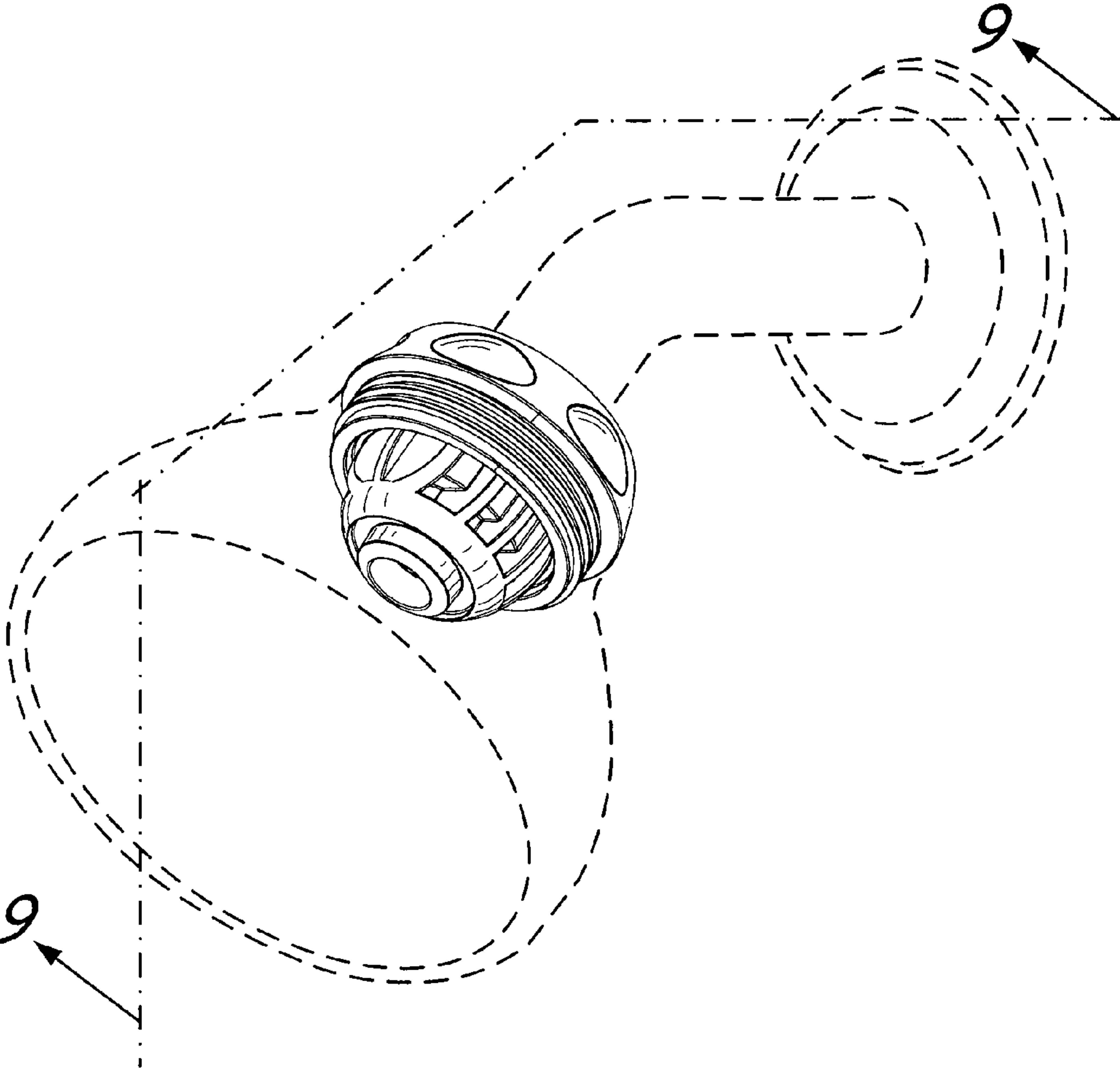


FIG. 1

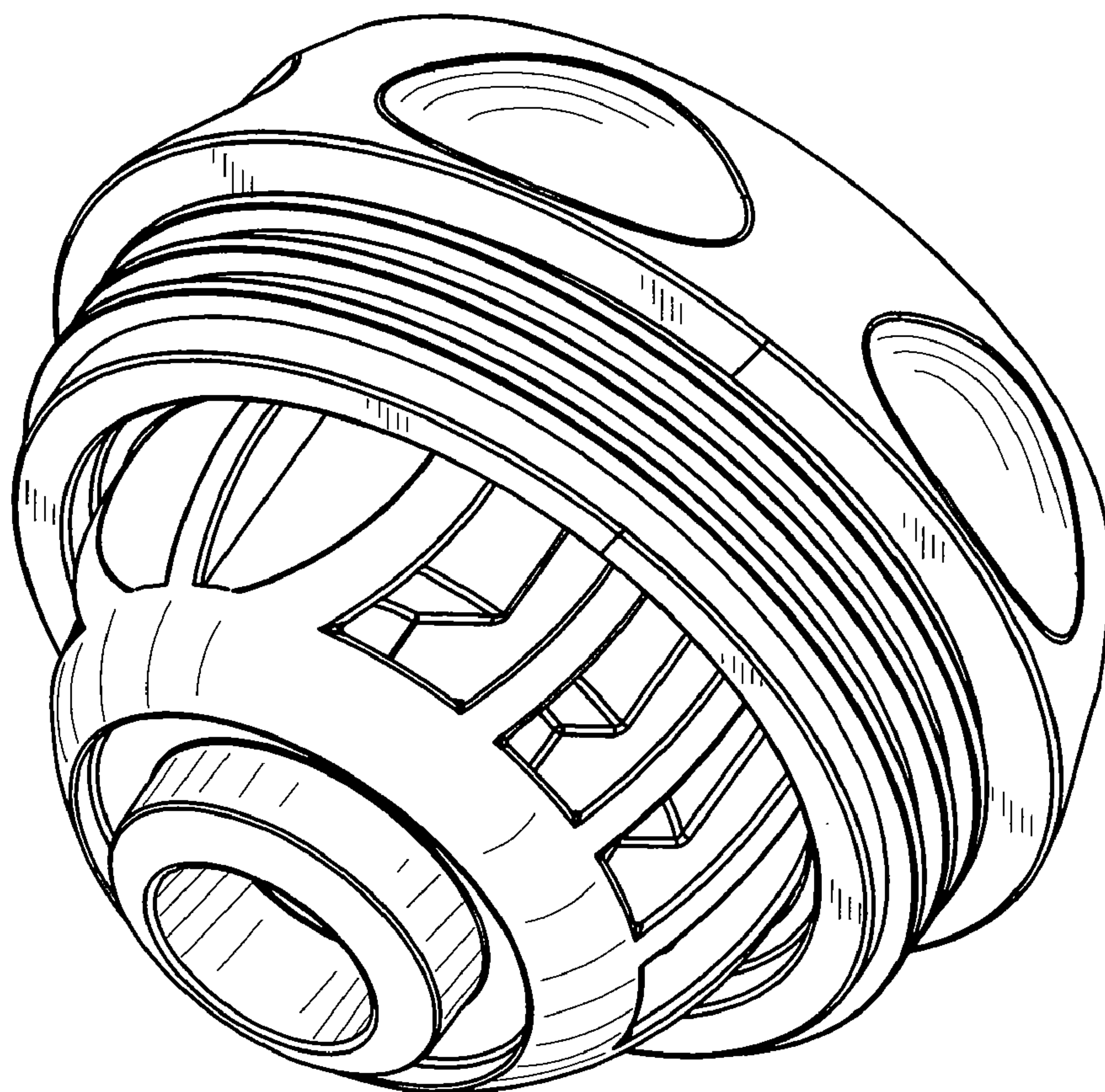


FIG. 2

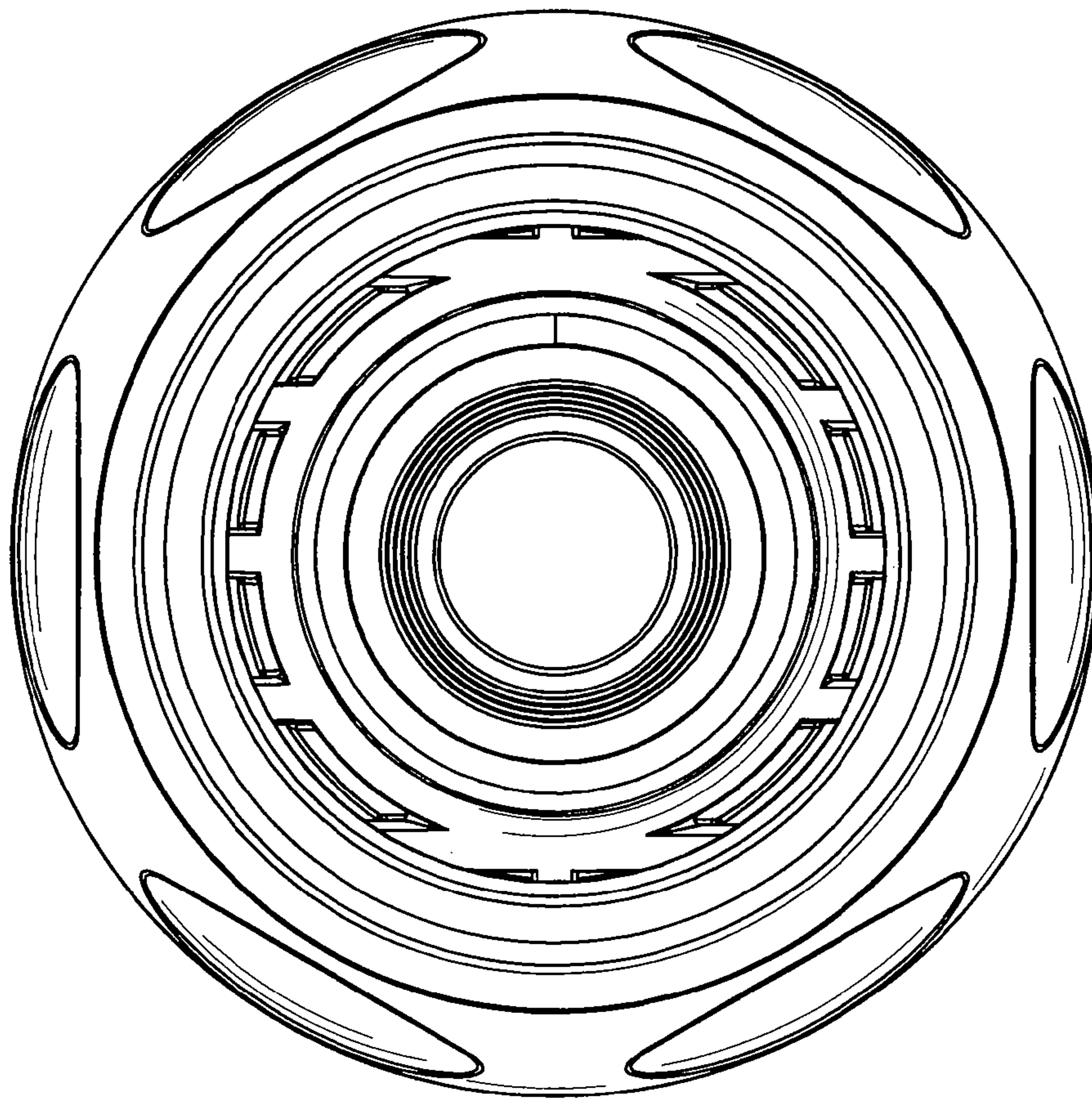


FIG. 3

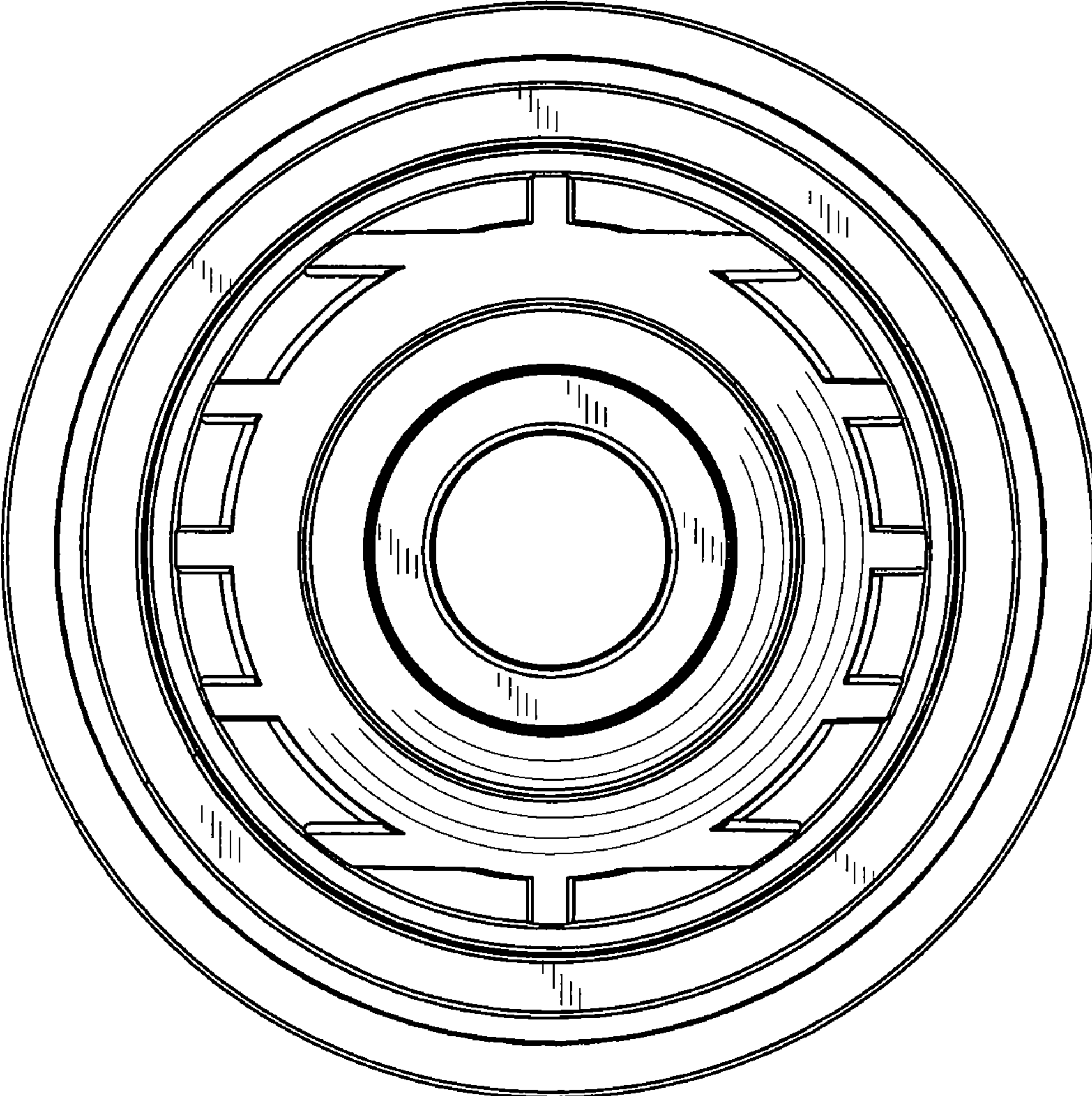


FIG. 4

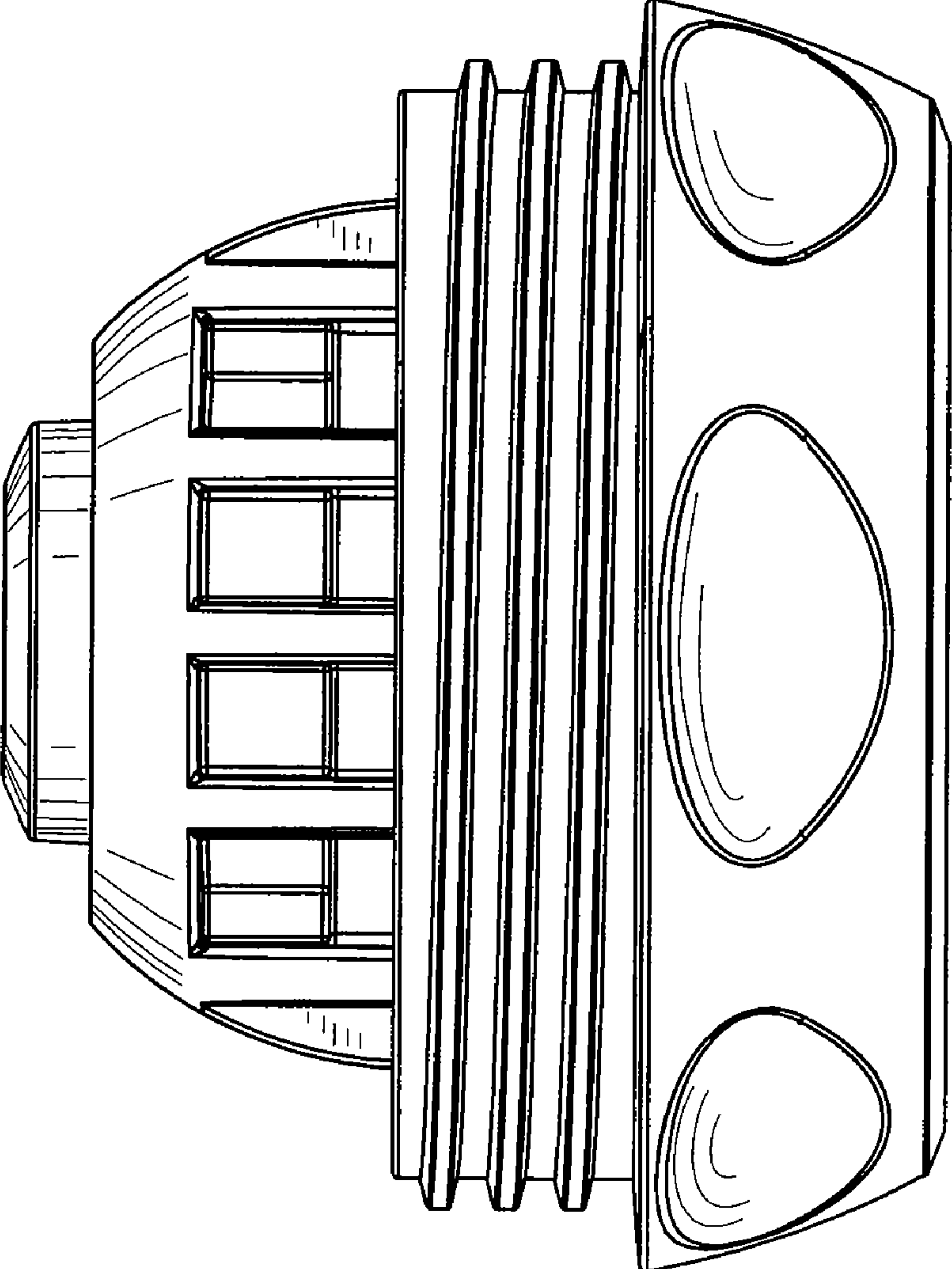


FIG. 5

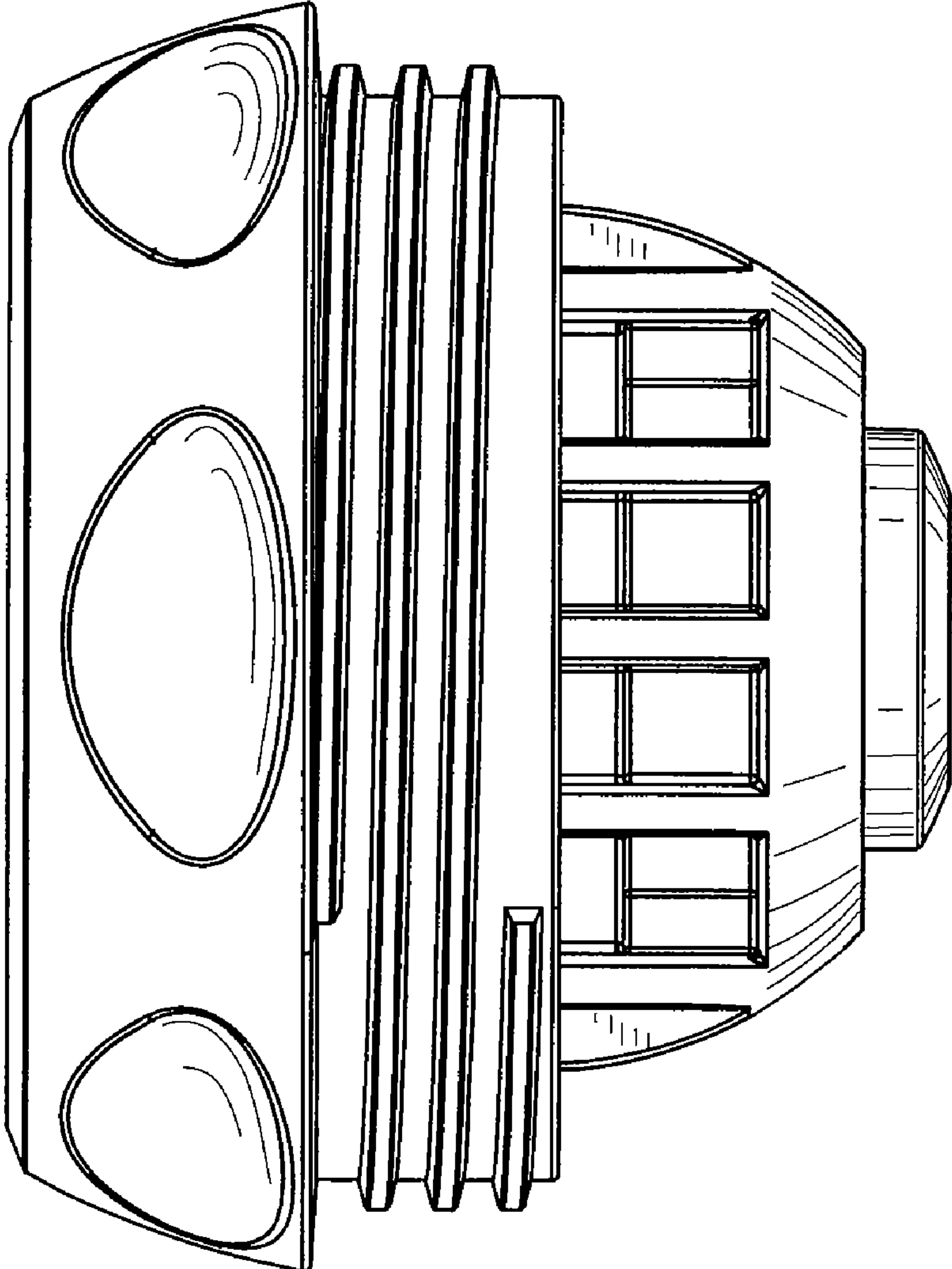


FIG. 6

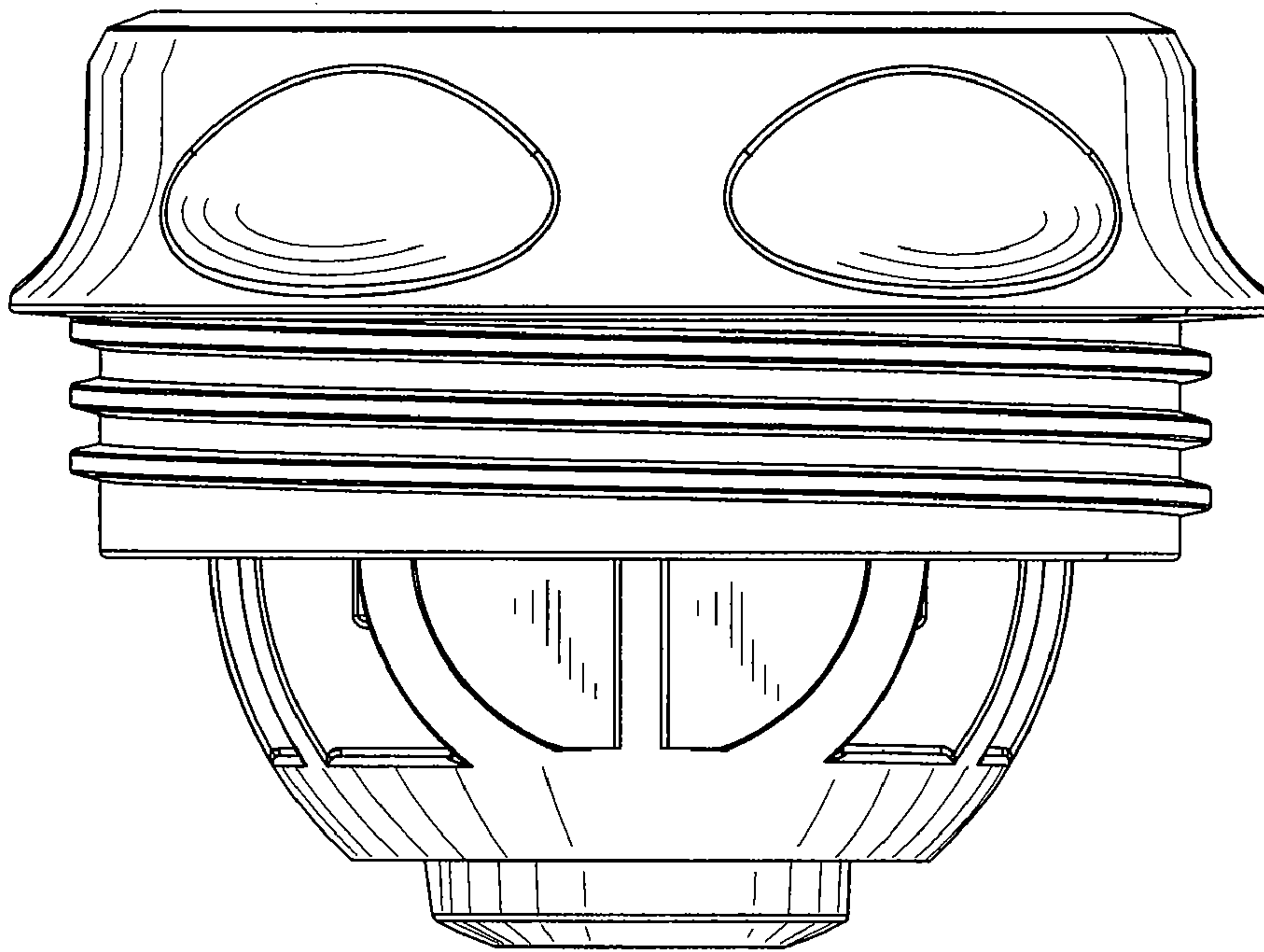


FIG. 7

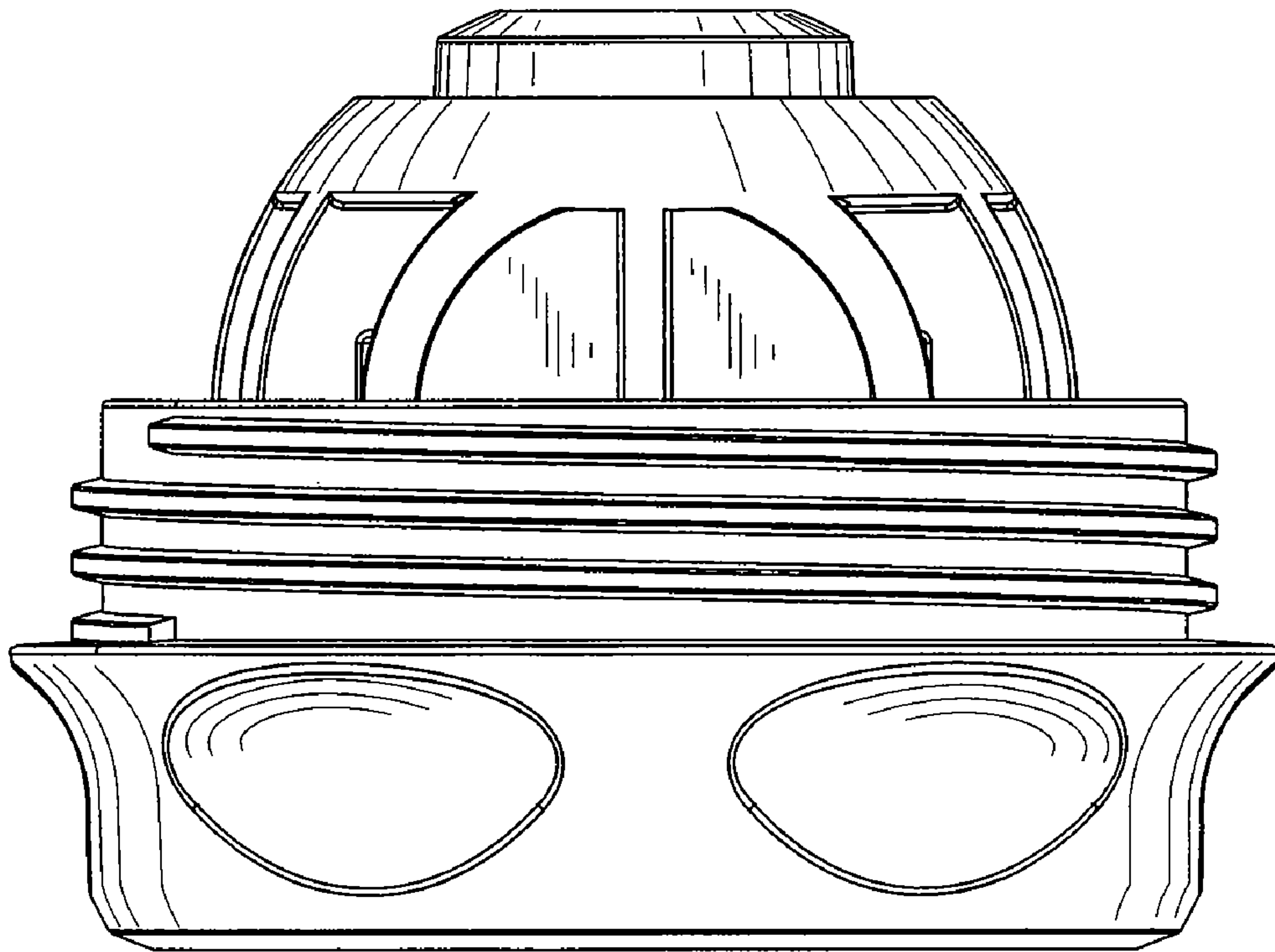


FIG. 8

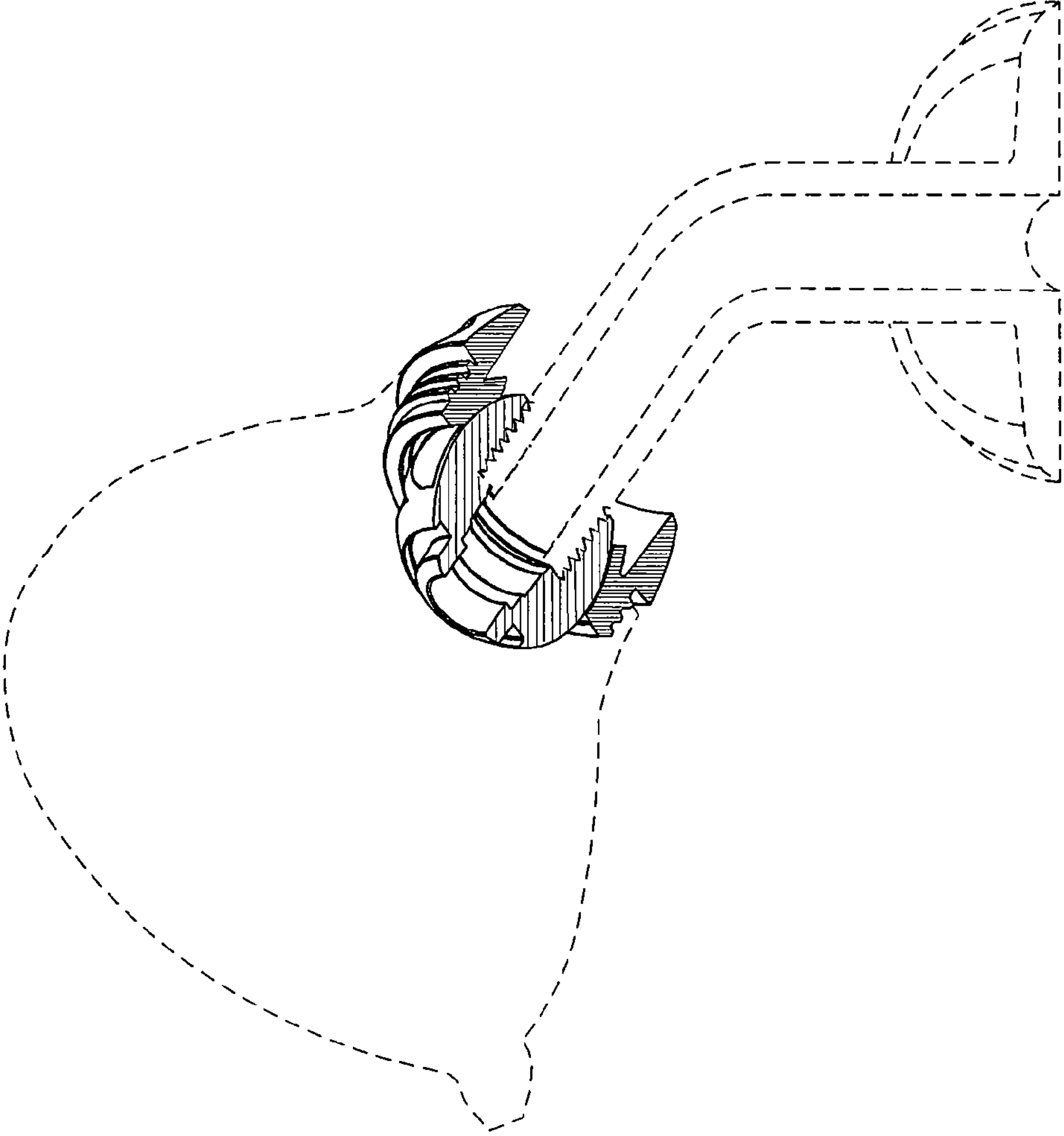


FIG. 9

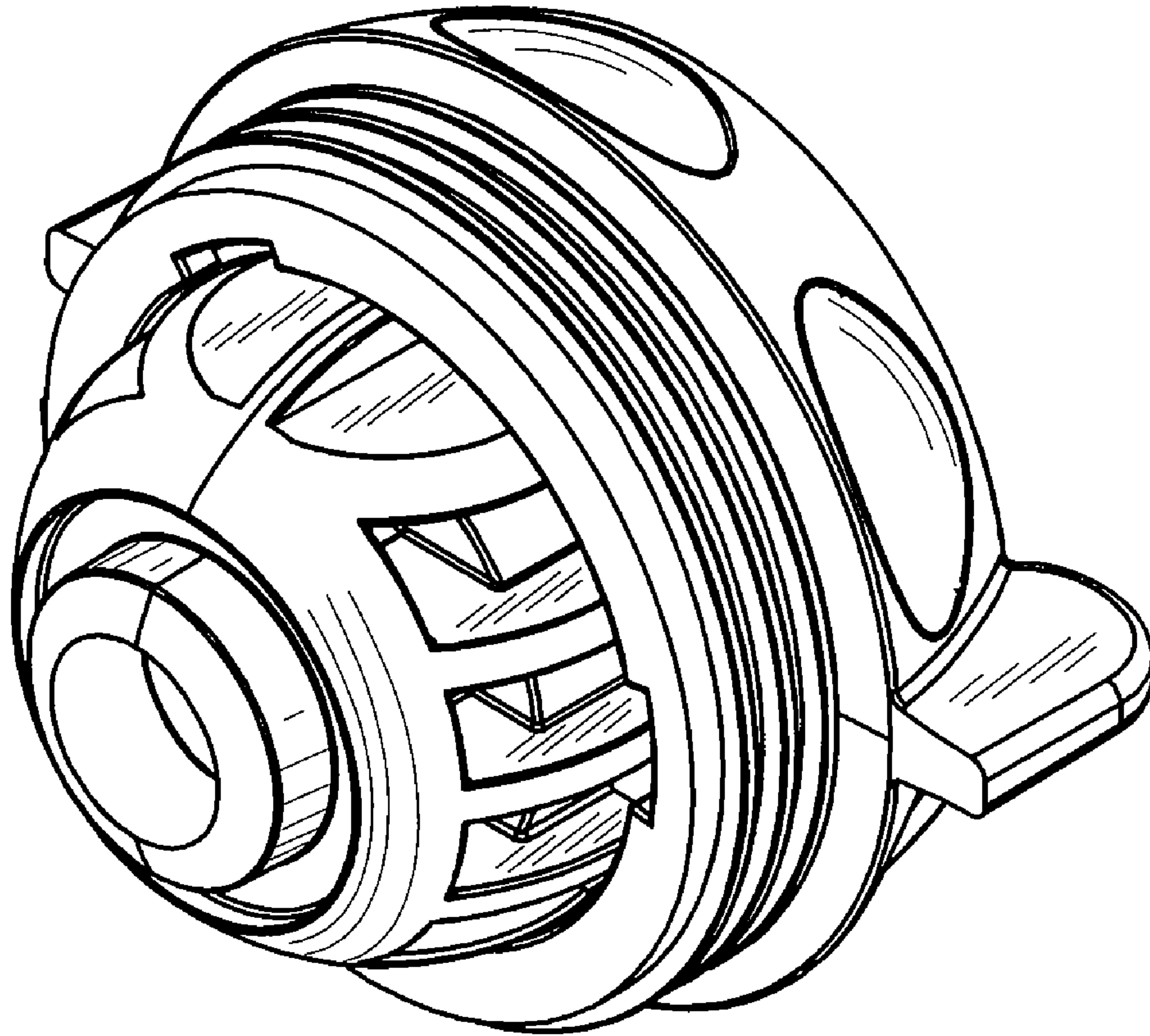


FIG. 10

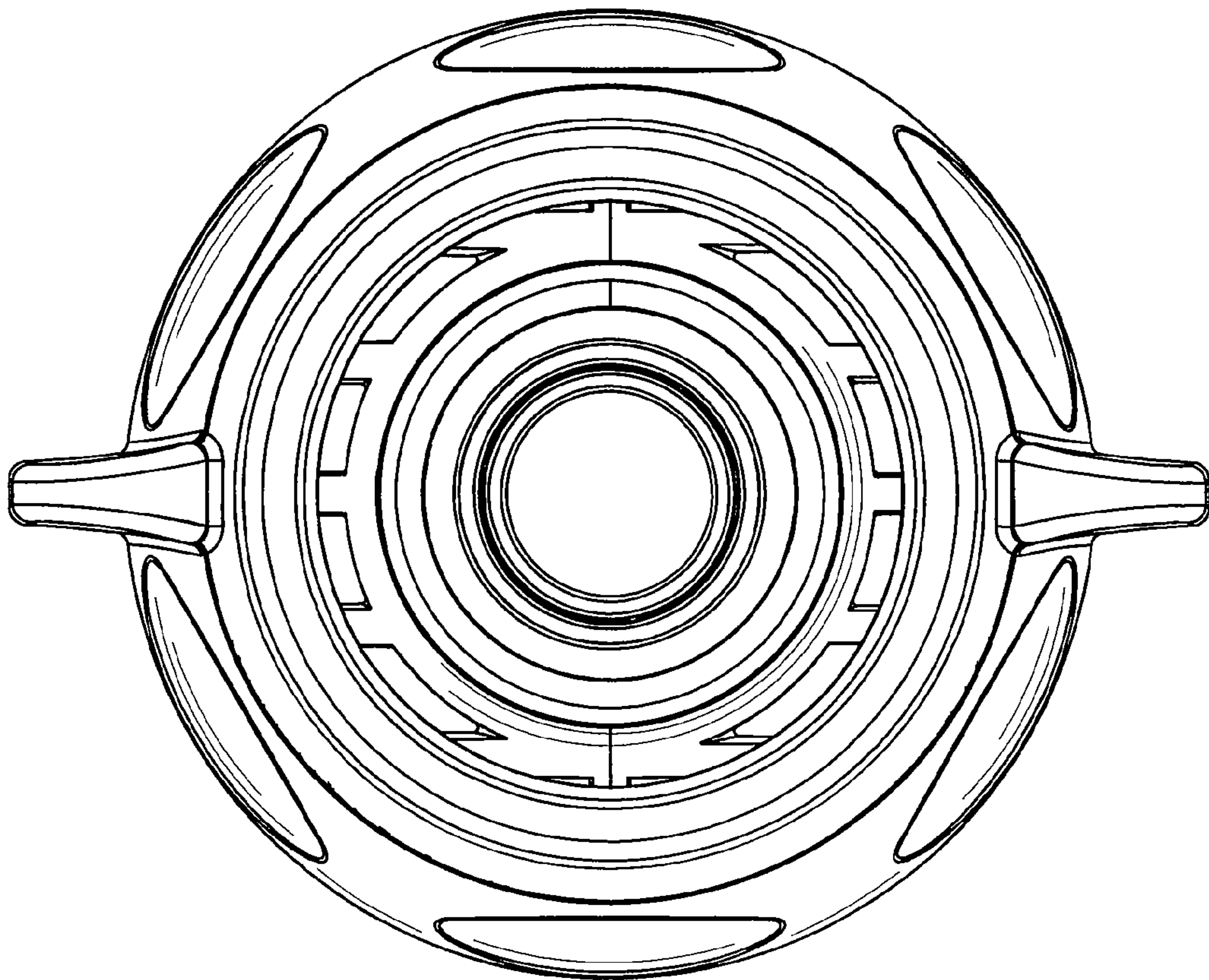


FIG. 11

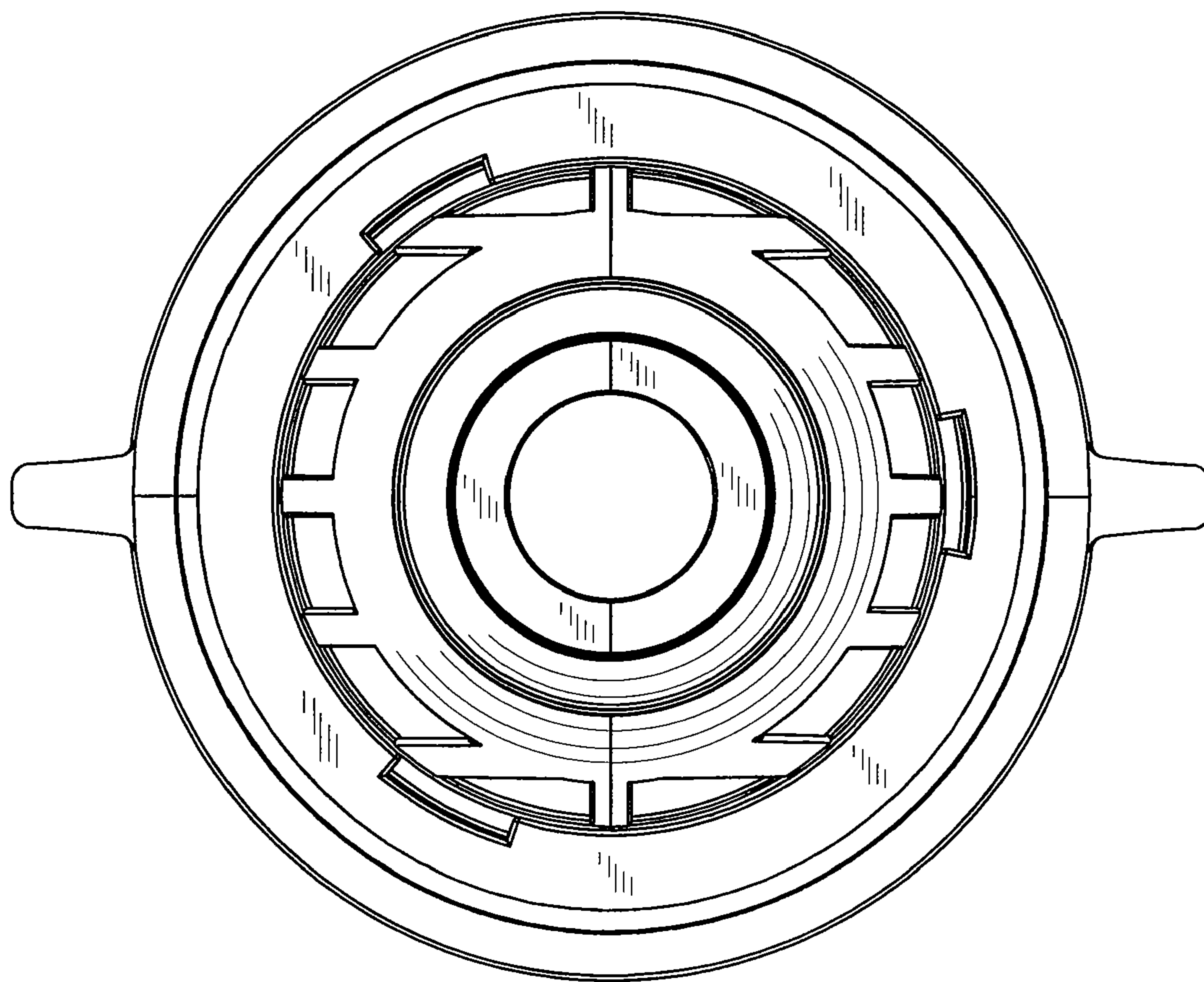


FIG. 12

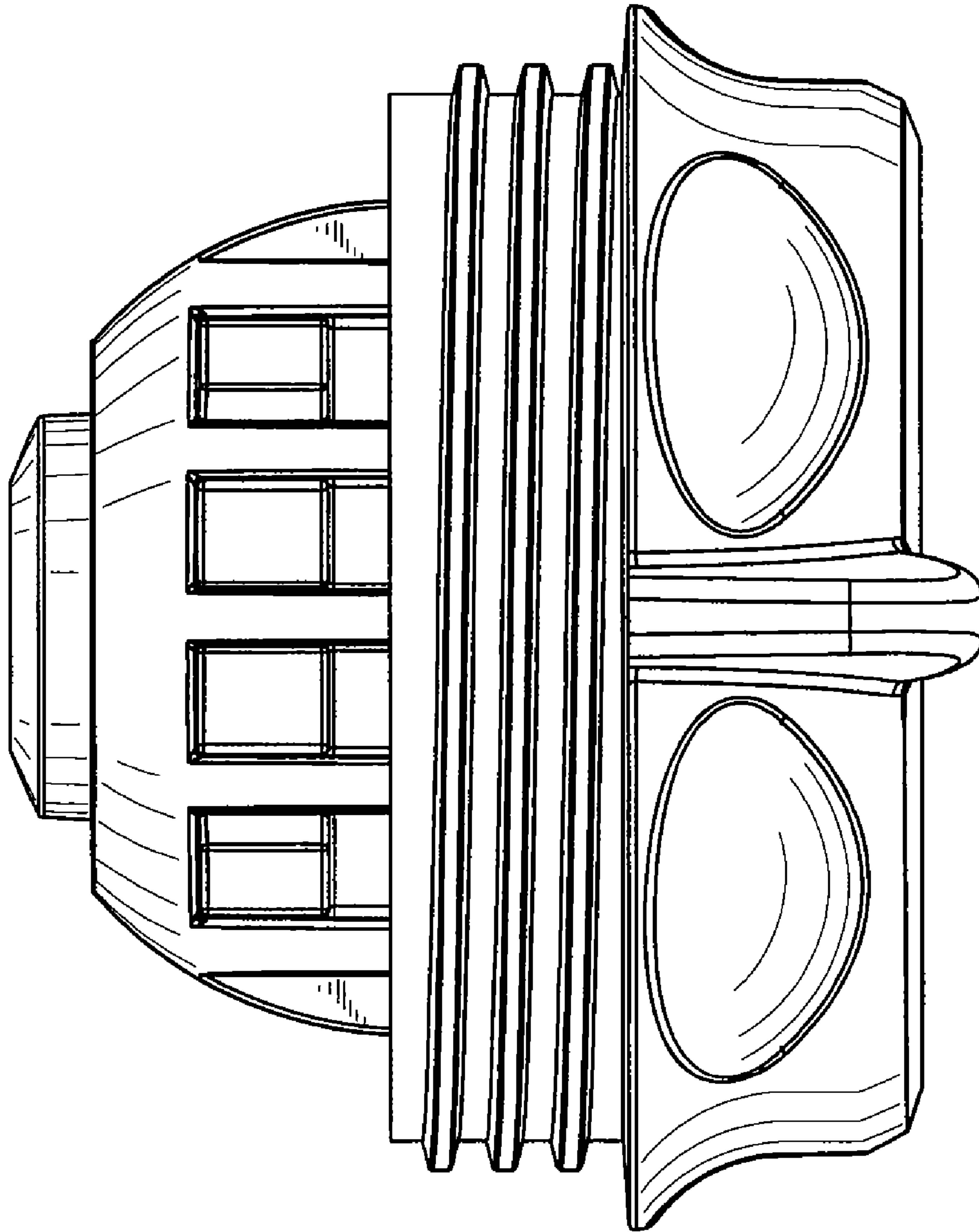


FIG. 13

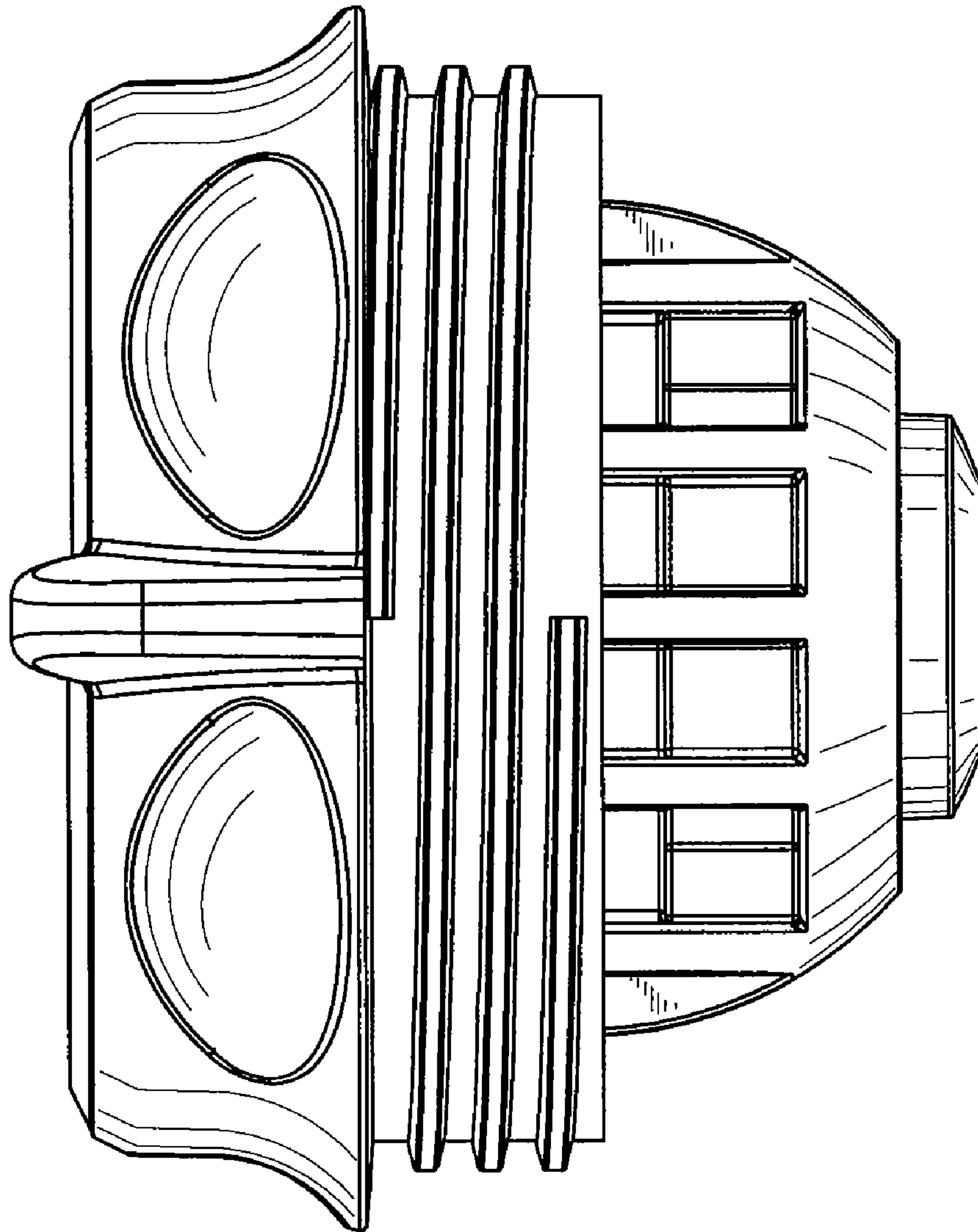


FIG. 14

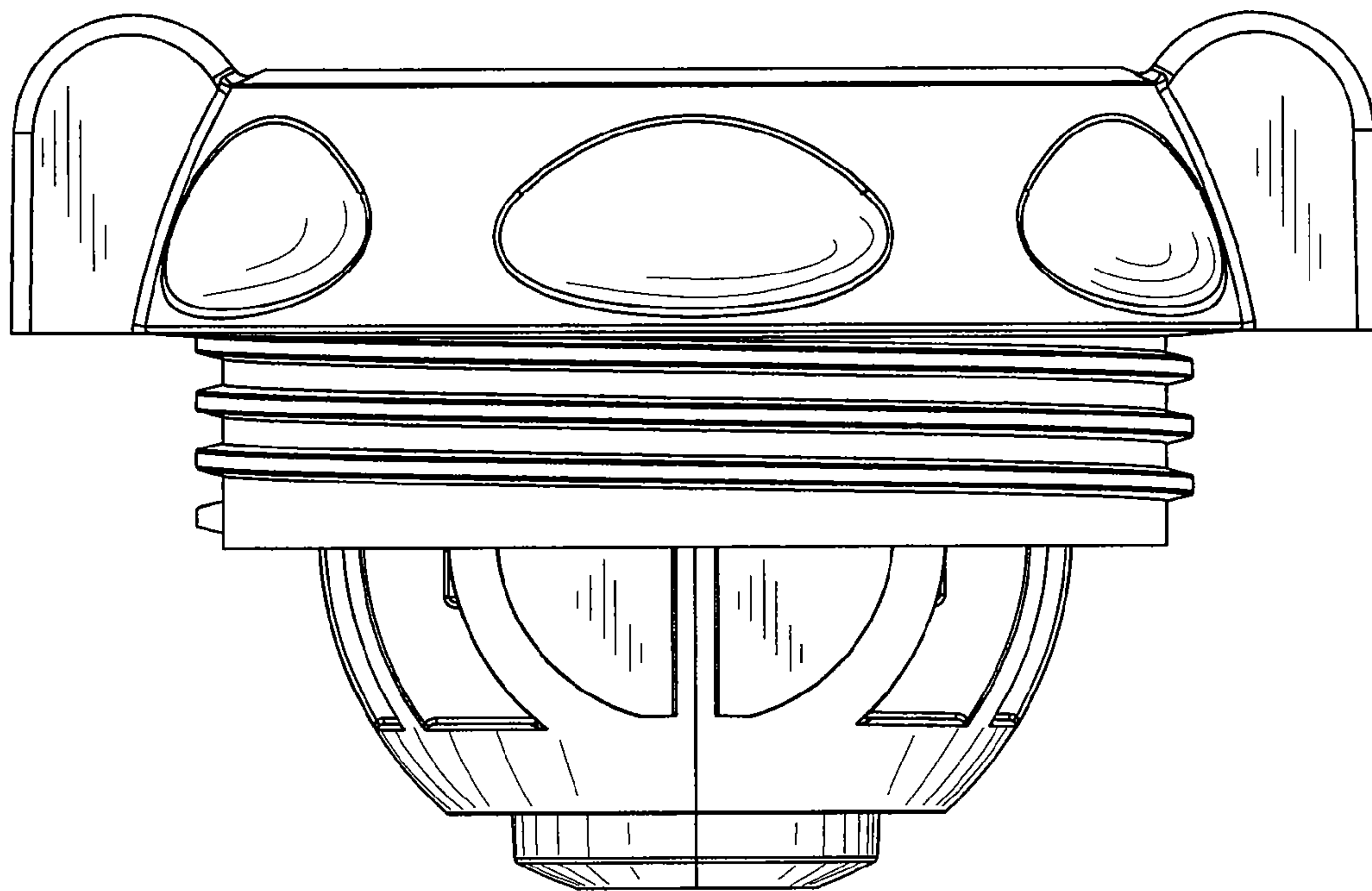


FIG. 15

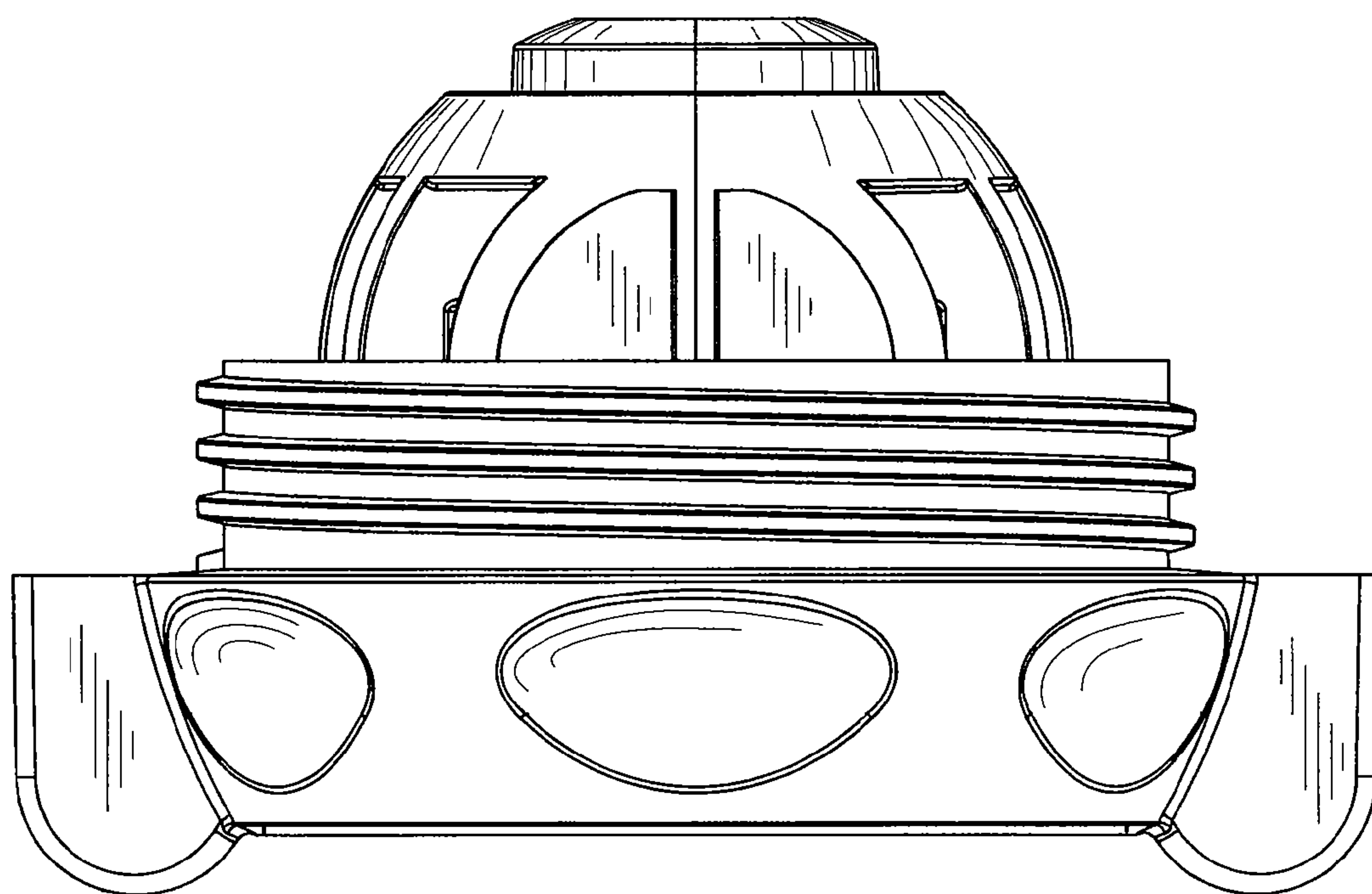


FIG. 16