

US00D624152S

(12) **United States Design Patent**
Davenport et al.

(10) **Patent No.:** **US D624,152 S**

(45) **Date of Patent:** **** Sep. 21, 2010**

(54) **LIQUID WASTE TRANSFER UPPER HOUSING II**

7,572,372 B2 * 8/2009 Graf 210/232
D612,448 S * 3/2010 Richardson D23/202

(75) Inventors: **Quintin Davenport**, Tolmans Hill (AU);
David Fisher, Sandy Bay (AU)

* cited by examiner

(73) Assignee: **Ducane Research and Development Pty Ltd**, Sandy Bay, Tasmania (AU)

Primary Examiner—Robin V Webster

(74) *Attorney, Agent, or Firm*—Richard M. Goldberg

(**) Term: **14 Years**

(57) **CLAIM**

(21) Appl. No.: **29/344,793**

The ornamental design for liquid waste transfer upper housing II, as shown and described.

(22) Filed: **Oct. 5, 2009**

DESCRIPTION

(30) **Foreign Application Priority Data**

Apr. 6, 2009 (AU) 11166/2009

FIG. 1 is a front, top, perspective view of the liquid waste transfer upper housing II of our design;

FIG. 2 is a rear, bottom, perspective view thereof;

(51) **LOC (9) Cl.** **23-01**

(52) **U.S. Cl.** **D23/202**

(58) **Field of Classification Search** D23/202,
D23/203, 225; 220/587, 565, 567.1; 210/532.2
See application file for complete search history.

FIG. 3 is a front elevational view thereof;

FIG. 4 is a rear elevational view thereof;

FIG. 5 is a left side elevational view thereof;

FIG. 6 is a right side elevational view thereof;

FIG. 7 is a top plan view thereof; and,

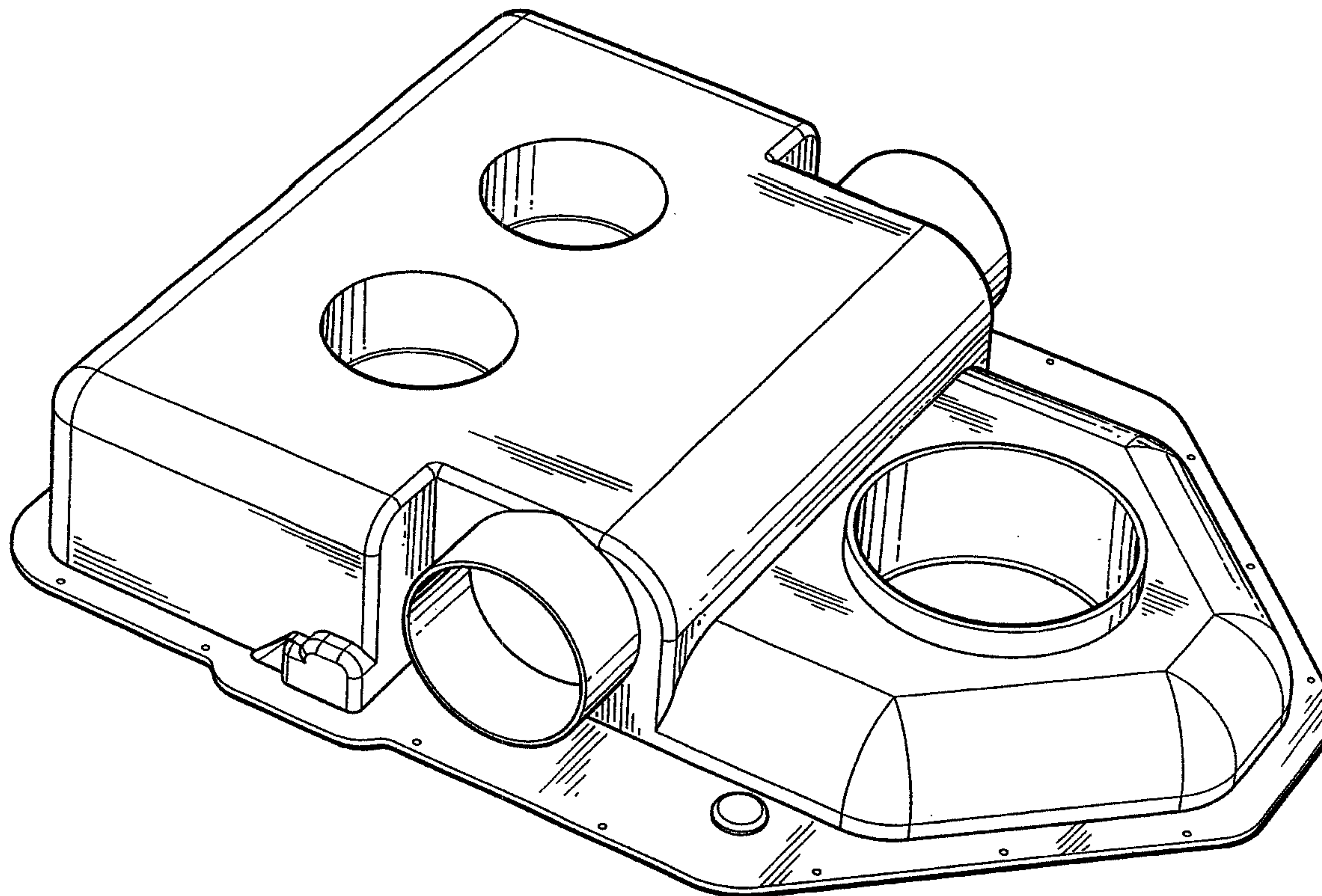
FIG. 8 is a bottom plan view thereof.

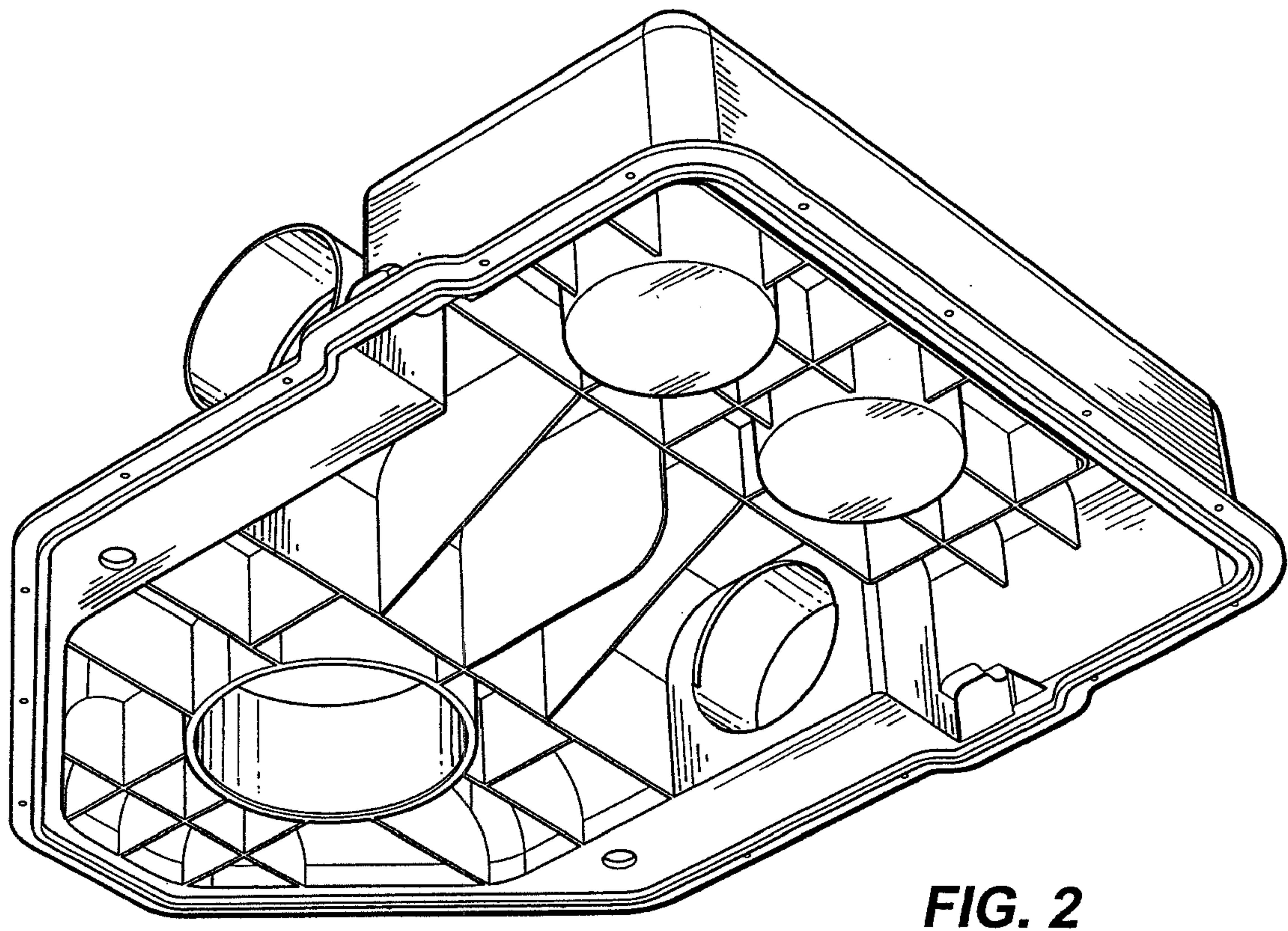
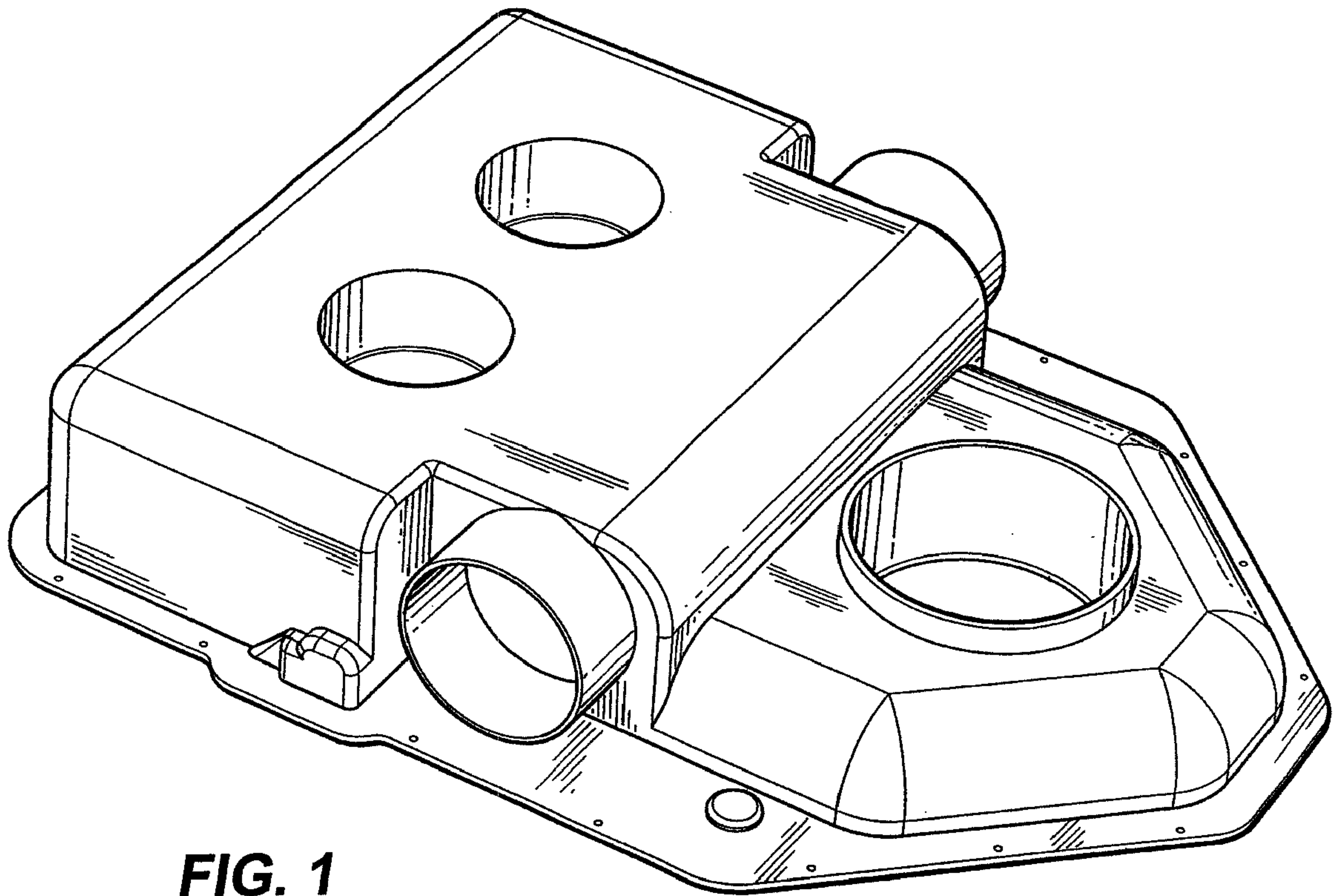
(56) **References Cited**

U.S. PATENT DOCUMENTS

D445,476 S * 7/2001 Ball et al. D23/202

1 Claim, 4 Drawing Sheets





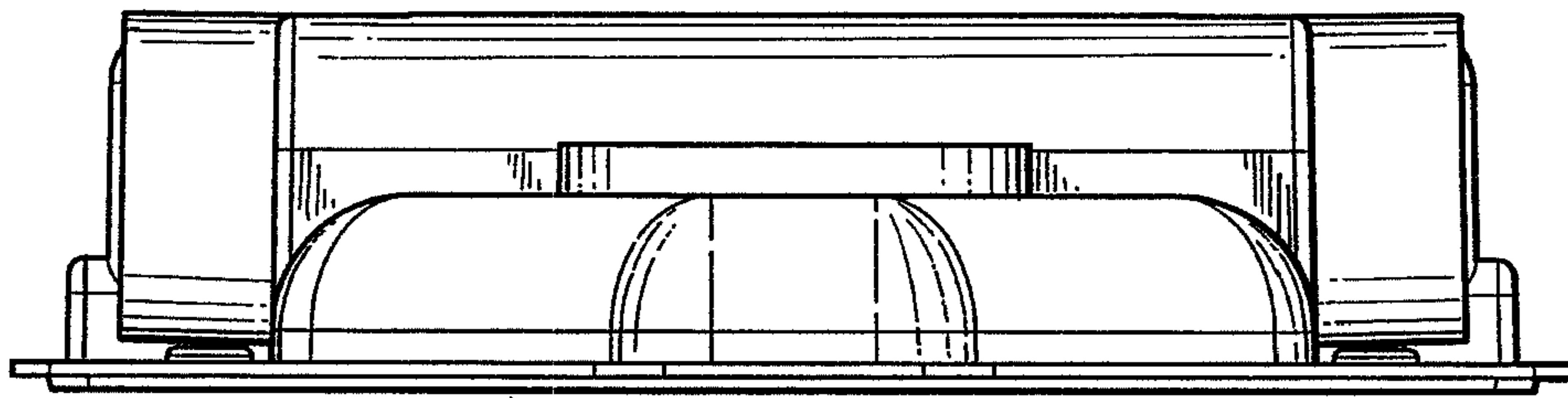


FIG. 3

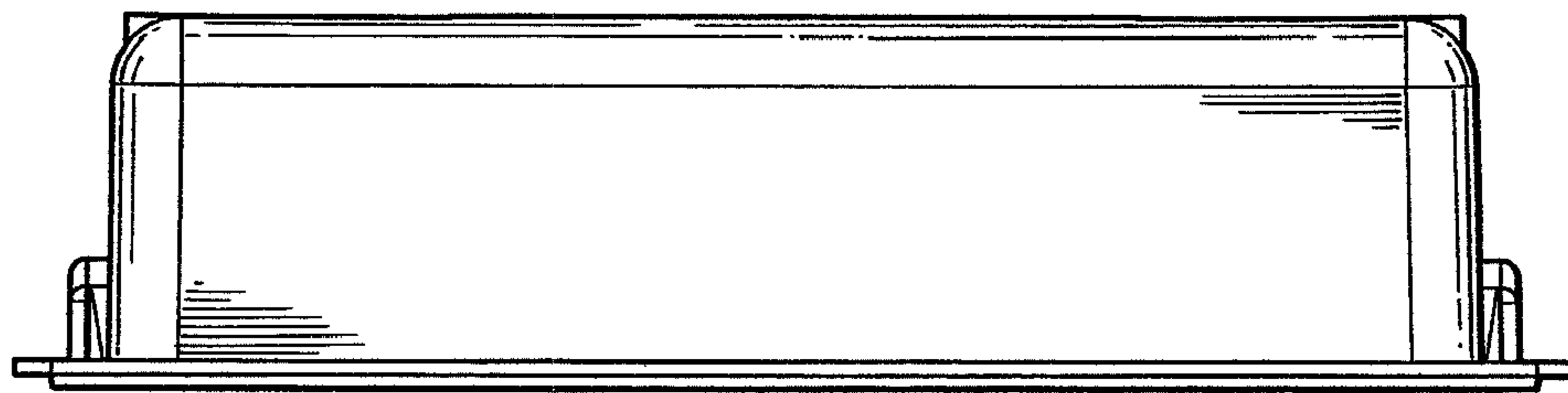


FIG. 4

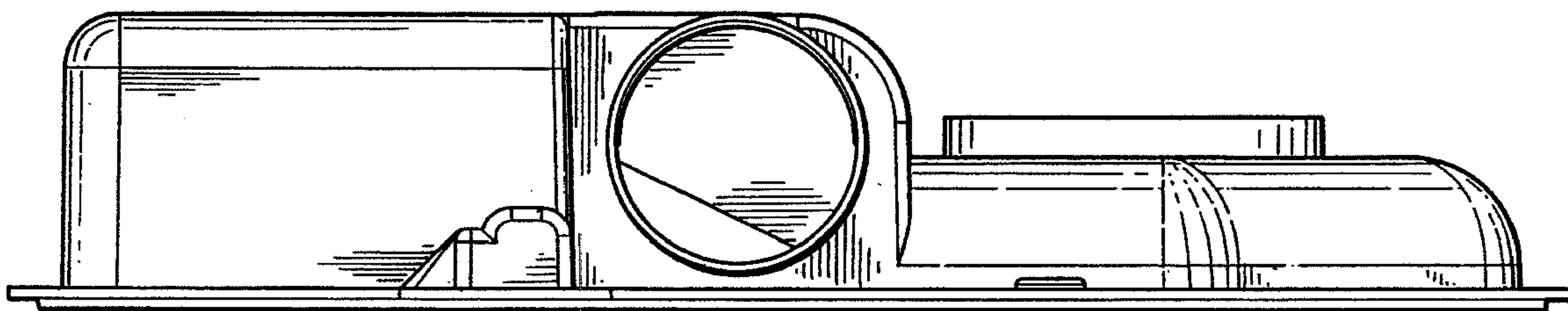


FIG. 5

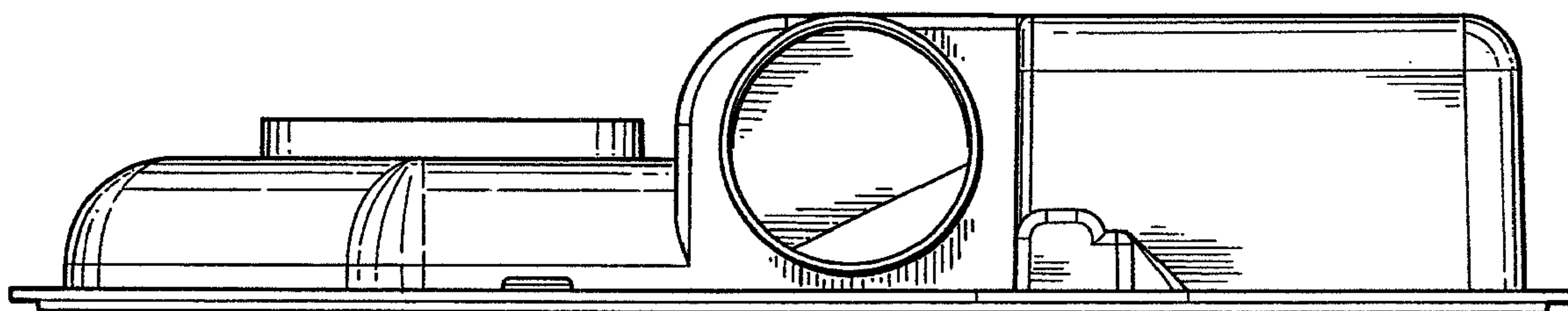


FIG. 6

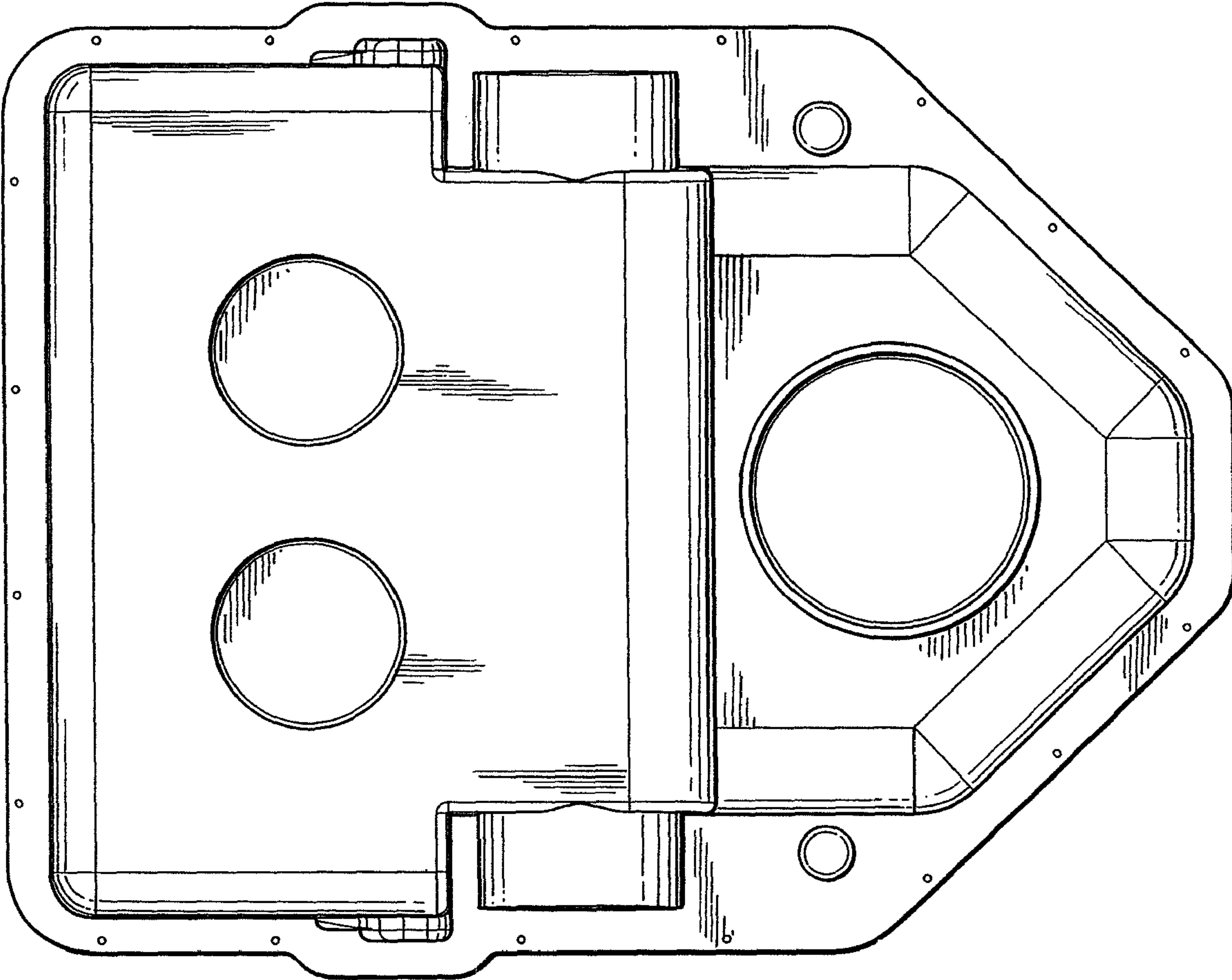


FIG. 7

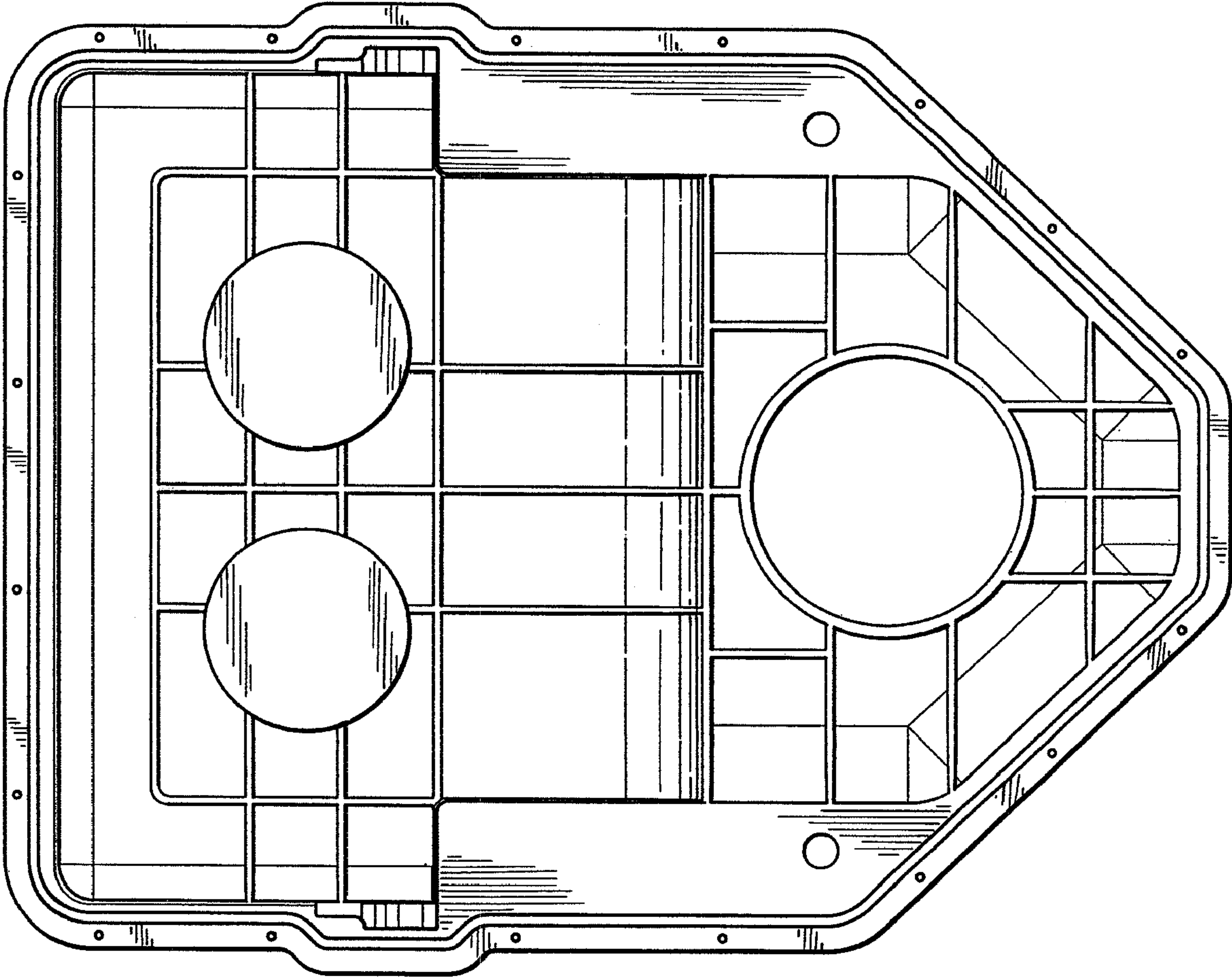


FIG. 8