



US00D624150S

(12) **United States Design Patent**
Trybulski et al.

(10) **Patent No.:** **US D624,150 S**

(45) **Date of Patent:** **** Sep. 21, 2010**

(54) **ARTILLERY PROJECTILE EXTRACTOR**

6,705,183 B1 * 3/2004 Dickens 81/437

(75) Inventors: **Mark Trybulski**, Hopatcong, NJ (US);
Diep Ho, Yuma, AZ (US); **Brian McAbee**,
Portland, PA (US); **Michael Hollis**, Flanders,
NJ (US); **Donald Carlucci**, Sparta, NJ (US)

* cited by examiner

Primary Examiner—T. Chase Nelson
Assistant Examiner—Michael A Pratt
(74) *Attorney, Agent, or Firm*—Henry S. Goldfine

(73) Assignee: **The United States of America as
represented by the Secretary of the
Army**, Washington, DC (US)

(57) **CLAIM**

The ornamental design for an artillery projectile extractor, as shown and described herein.

(**) Term: **14 Years**

DESCRIPTION

(21) Appl. No.: **29/344,220**

The invention described and claimed herein may be manufactured, used, and licensed by or for the U.S. Government for U.S. Government purposes.

(22) Filed: **Sep. 25, 2009**

Related U.S. Application Data

(63) Continuation-in-part of application No. 12/496,741, filed on Jul. 2, 2009.

FIG. 1 is a perspective view of an artillery projectile extractor showing our new design;

(51) **LOC (9) Cl.** **22-99**

(52) **U.S. Cl.** **D22/199**

(58) **Field of Classification Search** D22/199;
D8/82-87, 107; 81/3.05, 177.1, 436-439,
81/489

FIG. 2 is a front view thereof;

FIG. 3 is a rear view thereof;

FIG. 4 is a first side elevation view thereof, wherein the view 180 degrees opposed thereto is a mirror image thereof; and,

FIG. 5 is a second side elevation view thereof, rotated 90 degrees from the view shown in FIG. 5, and wherein the view 180 degrees opposed to the view of FIG. 5 is a mirror image thereof.

See application file for complete search history.

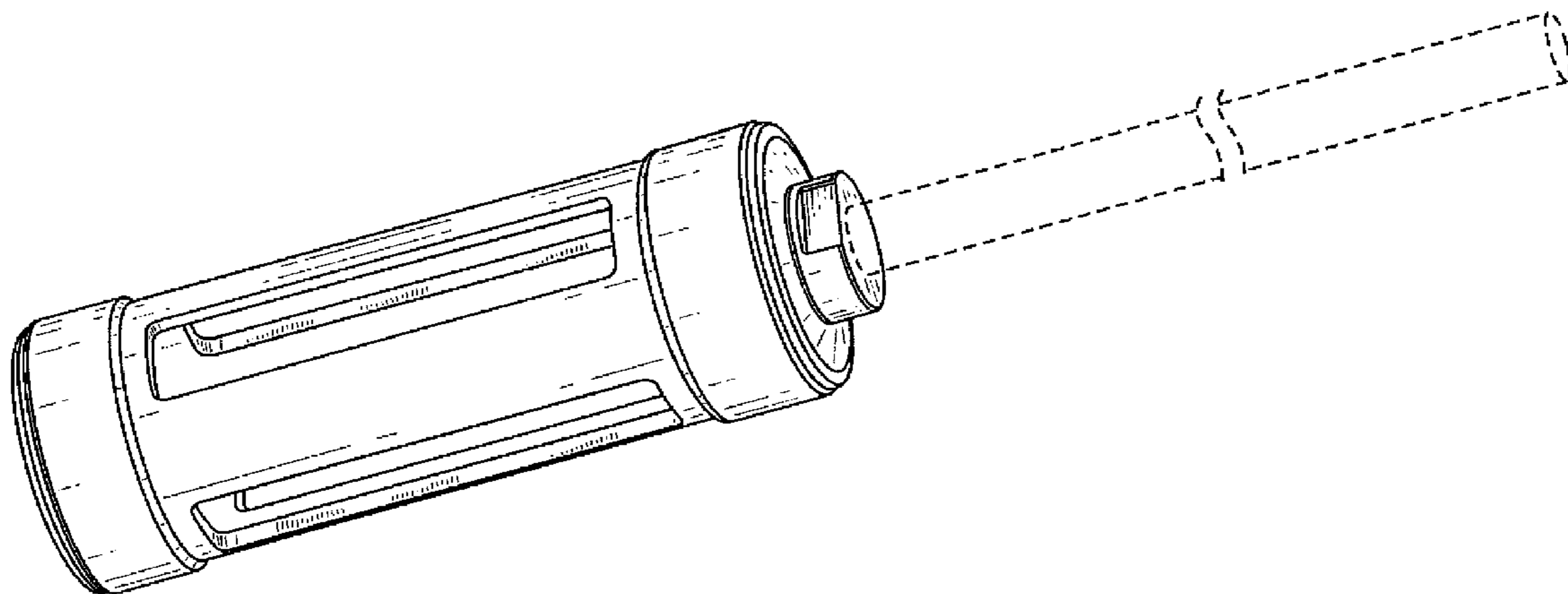
For illustrative purposes only, FIGS. 1, 3, 4 and 5 show an elongated cylindrical handle, in broken lines, extending from the rear of the subject artillery projectile extractor; this handle forms no part of the claimed design. Further, the broken lines in FIG. 2 are included for the purpose of illustrating a portion of the artillery projectile extractor that forms no part of the claimed design.

(56) **References Cited**

U.S. PATENT DOCUMENTS

D338,825 S *	8/1993	Brainard	D8/303
D345,685 S *	4/1994	Lin	D8/303
D351,098 S *	10/1994	Tsai	D8/83
D376,305 S *	12/1996	Kung	D8/82
D421,887 S *	3/2000	Hung	D8/83
D482,591 S *	11/2003	Lisle et al.	D8/107

1 Claim, 5 Drawing Sheets



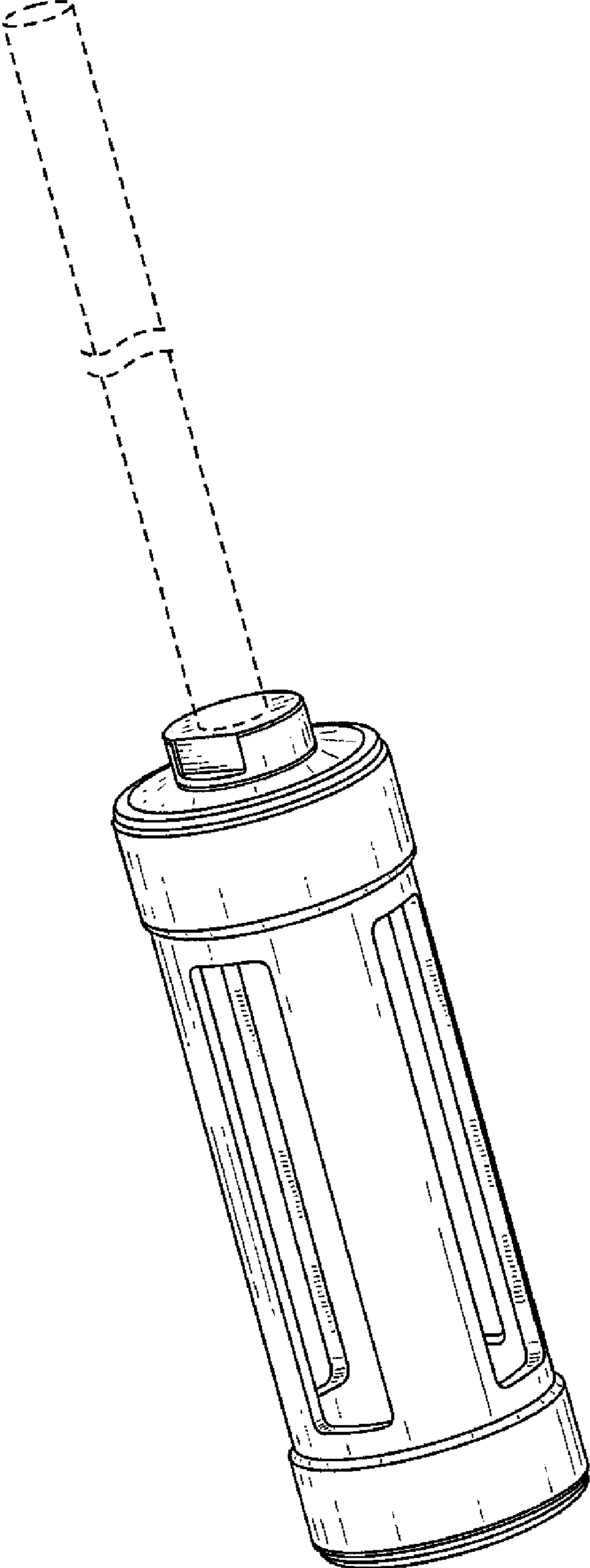


FIG. 1

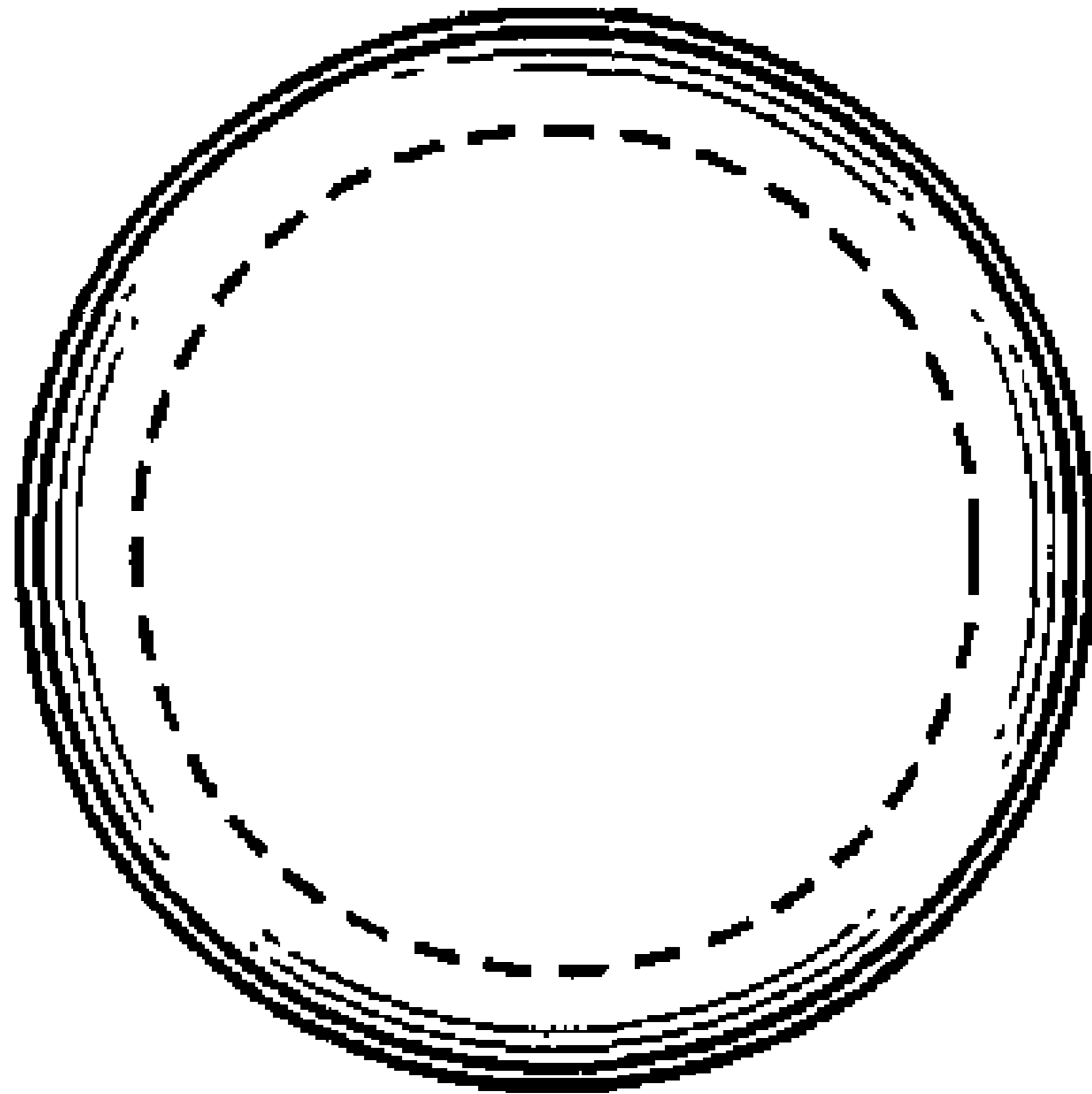


FIG. 2

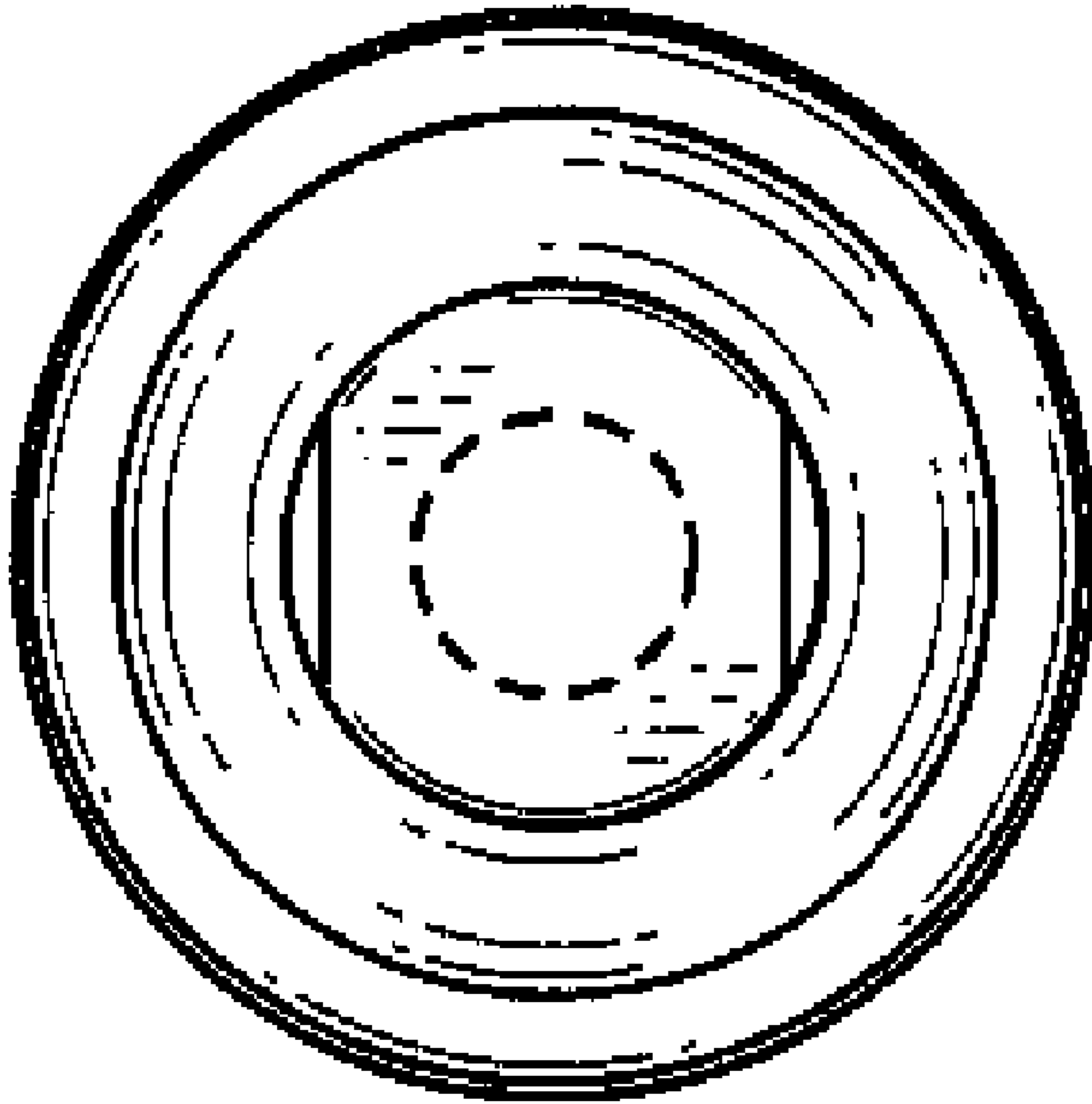


FIG. 3

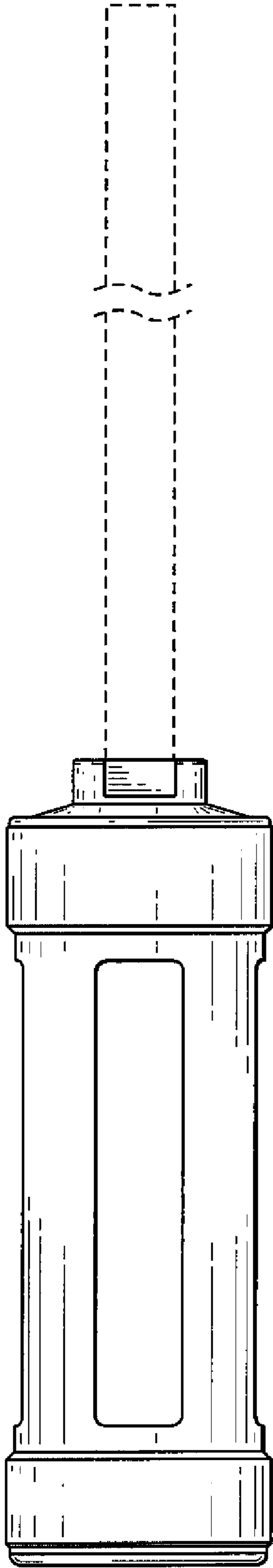


FIG. 4

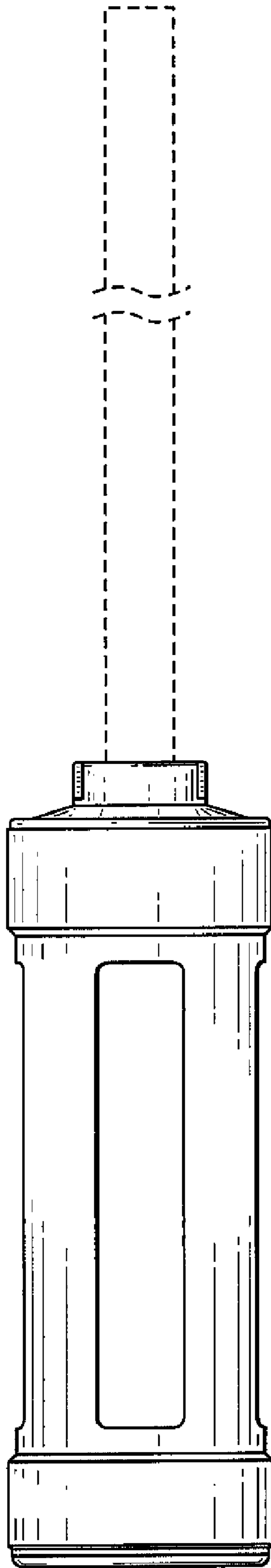


FIG. 5