



US00D624149S

(12) **United States Design Patent**  
**Felts**

(10) **Patent No.:** **US D624,149 S**  
(45) **Date of Patent:** **\*\* Sep. 21, 2010**

(54) **AMMUNITION POUCH**

(75) Inventor: **Jeffrey G. Felts**, Canton, MI (US)

(73) Assignee: **Center Mass, Inc.**, Canton, MI (US)

(\*\*) Term: **14 Years**

(21) Appl. No.: **29/335,815**

(22) Filed: **Apr. 22, 2009**

**Related U.S. Application Data**

(63) Continuation-in-part of application No. 12/353,508, filed on Jan. 14, 2009.

(51) **LOC (9) Cl.** ..... **22-99**

(52) **U.S. Cl.** ..... **D22/199**

(58) **Field of Classification Search** ..... D22/108,  
D22/199; D3/222-223, 215, 221, 224, 230;  
224/914, 672, 931, 674, 239, 236, 237, 245,  
224/240-242

See application file for complete search history.

(56) **References Cited**

**U.S. PATENT DOCUMENTS**

4,194,657	A	3/1980	Thor	
4,483,089	A	11/1984	Johnson	
4,597,213	A	7/1986	Musgrave	
5,174,482	A	12/1992	Rogers et al.	
6,076,715	A	6/2000	Easter	
6,154,997	A	12/2000	Aluotto et al.	
6,202,908	B1 *	3/2001	Groover	224/239
7,025,238	B2	4/2006	Hughes et al.	
7,073,285	B2	7/2006	Obong	
7,194,837	B2	3/2007	Obong	
D574,147	S *	8/2008	Zusman	D3/222

7,497,043	B2 *	3/2009	Clifton et al.	42/49.01
D603,160	S *	11/2009	Zusman	D3/222
2007/0278269	A1	12/2007	Rogers et al.	
2008/0277436	A1 *	11/2008	Wilson	224/239

\* cited by examiner

*Primary Examiner*—T. Chase Nelson

*Assistant Examiner*—Michael A Pratt

(74) *Attorney, Agent, or Firm*—Young Basile

(57) **CLAIM**

The ornamental design for an ammunition pouch, as shown.

**DESCRIPTION**

FIG. 1 is a perspective view of an ammunition pouch in accordance with the invention;

FIG. 2 is another perspective view of the ammunition pouch of FIG. 1;

FIG. 3 is a rear elevation view of the ammunition pouch of FIG. 1;

FIG. 4 is a front elevation view of the ammunition pouch of FIG. 1;

FIG. 5 is a top plan view of the ammunition pouch of FIG. 1;

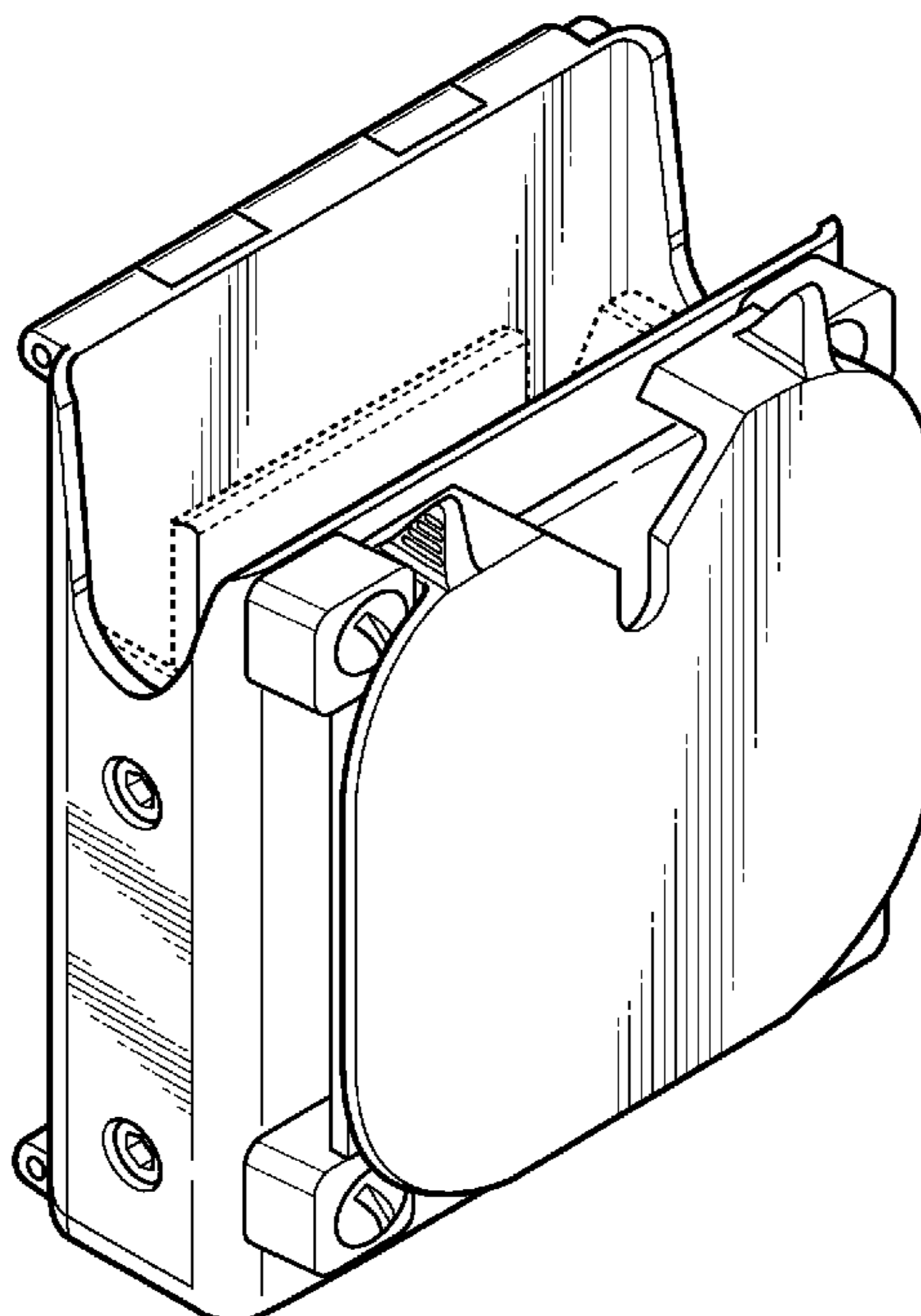
FIG. 6 is a bottom plan view of the ammunition pouch of FIG. 1;

FIG. 7 is a right side elevation view of the ammunition pouch of FIG. 1; and,

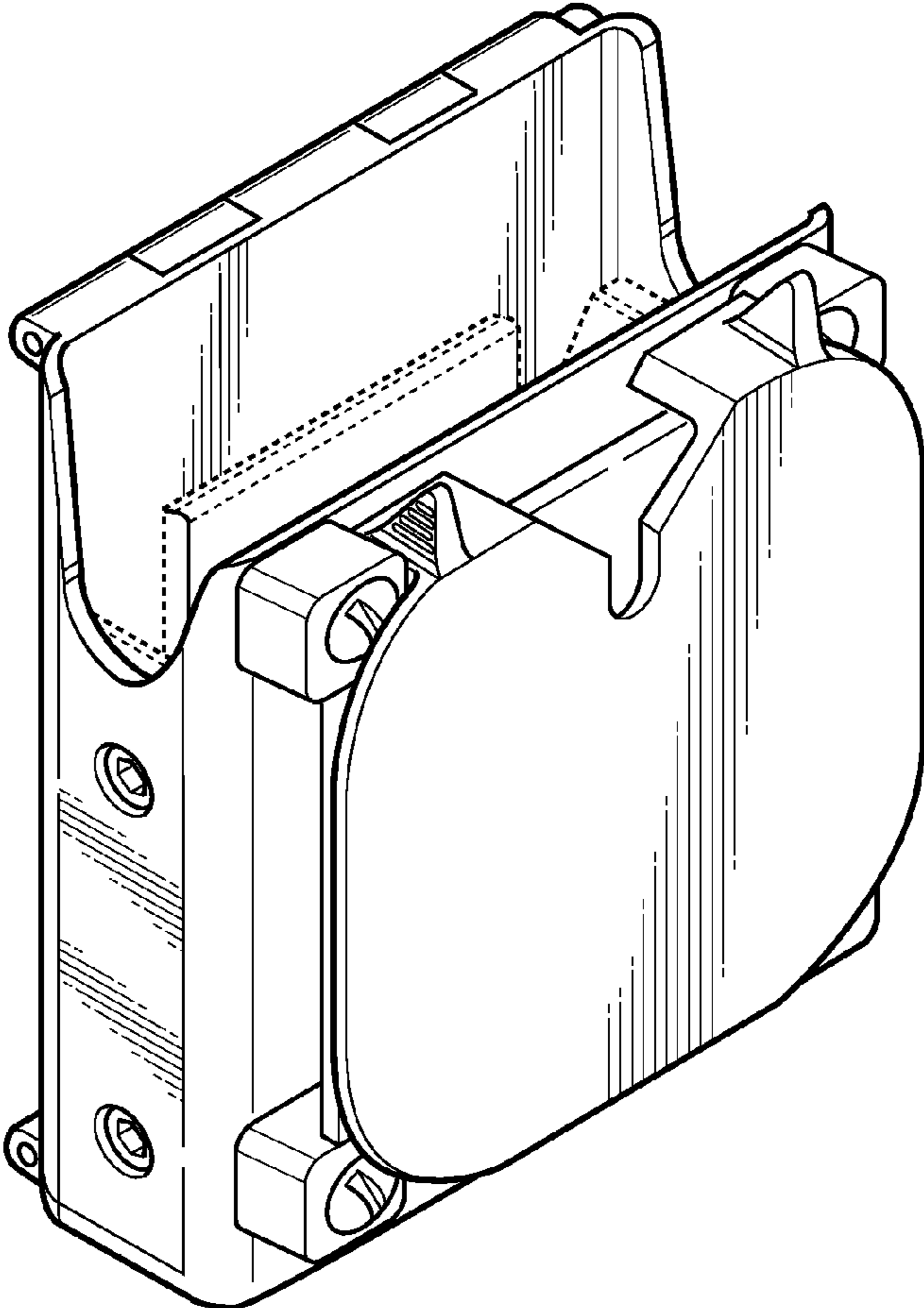
FIG. 8 is a left side elevation view of the ammunition pouch of FIG. 1.

The broken line showing of FIGS. 1, 2 and 5 is included for the purpose of illustrating portions of the magazine pouch that form no part of the claimed design.

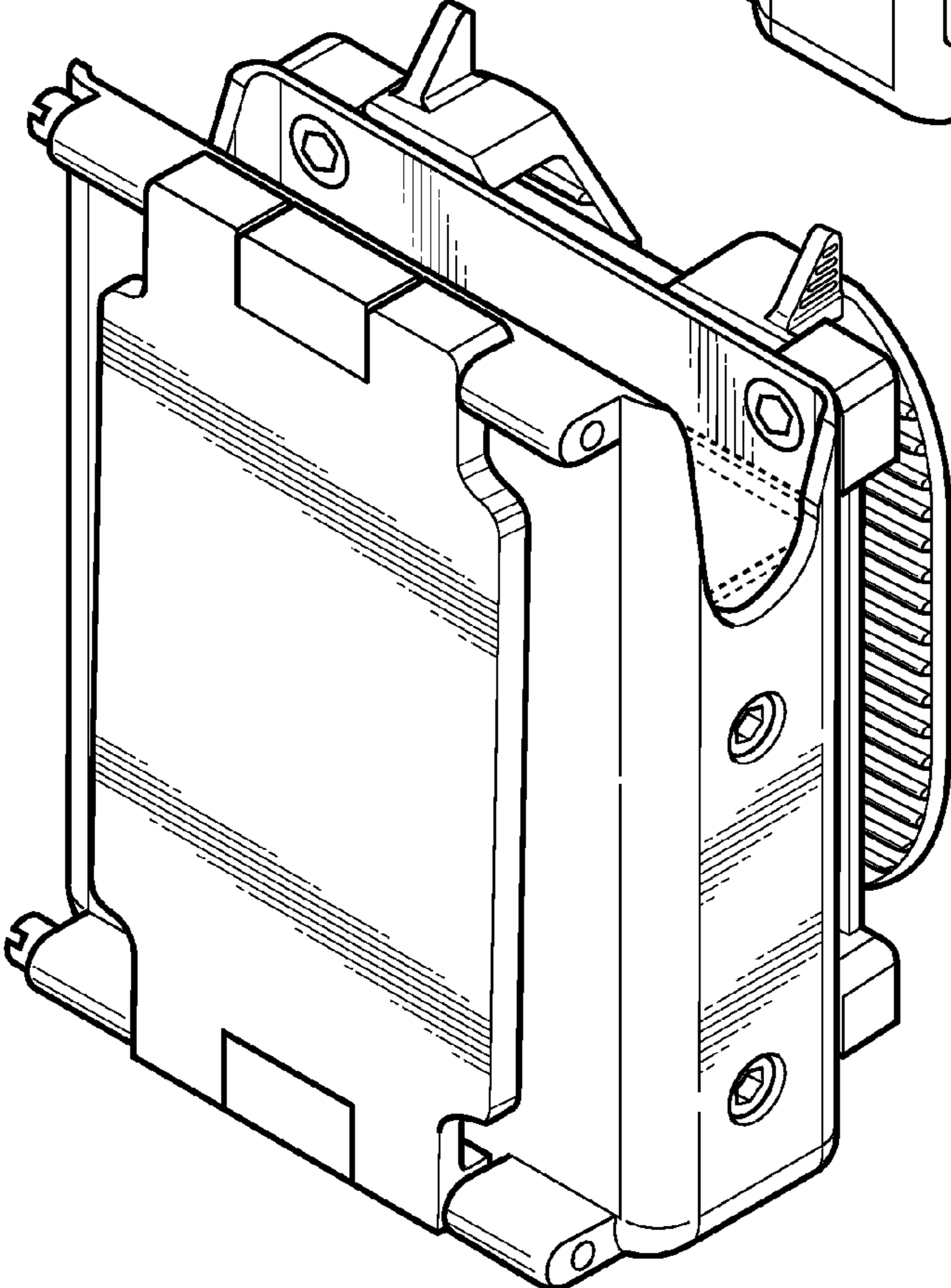
**1 Claim, 4 Drawing Sheets**

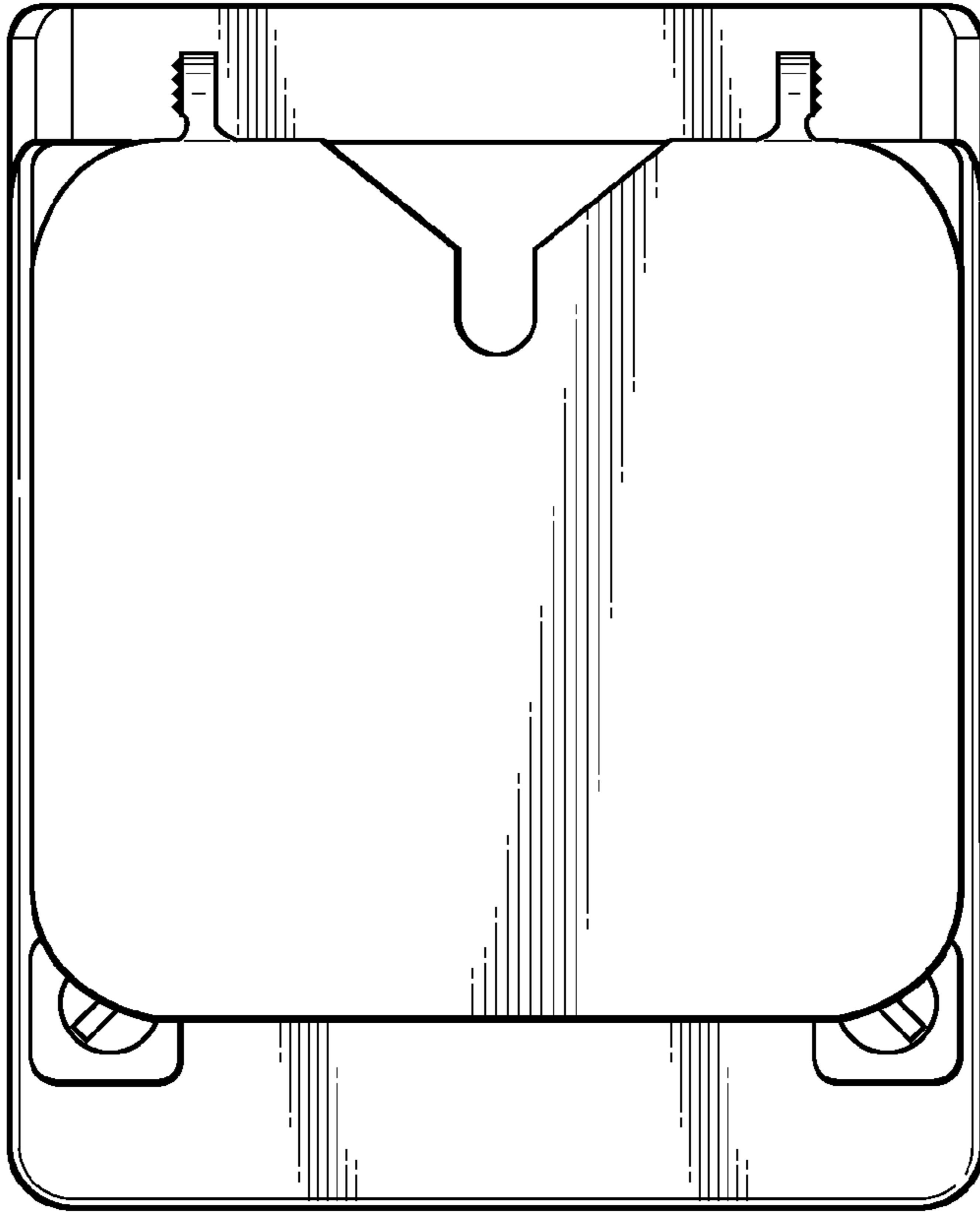


**FIG. 1**

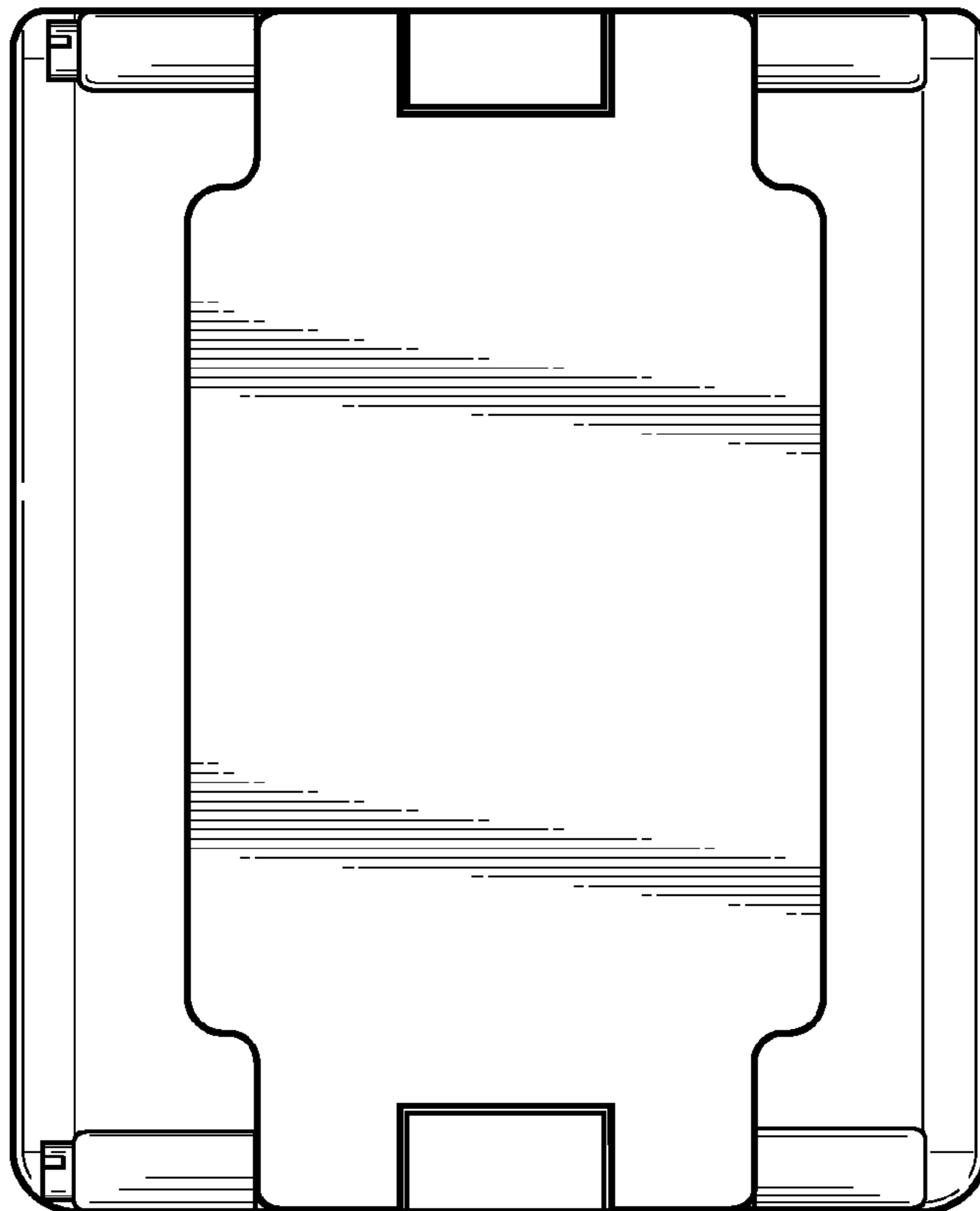


**FIG. 2**

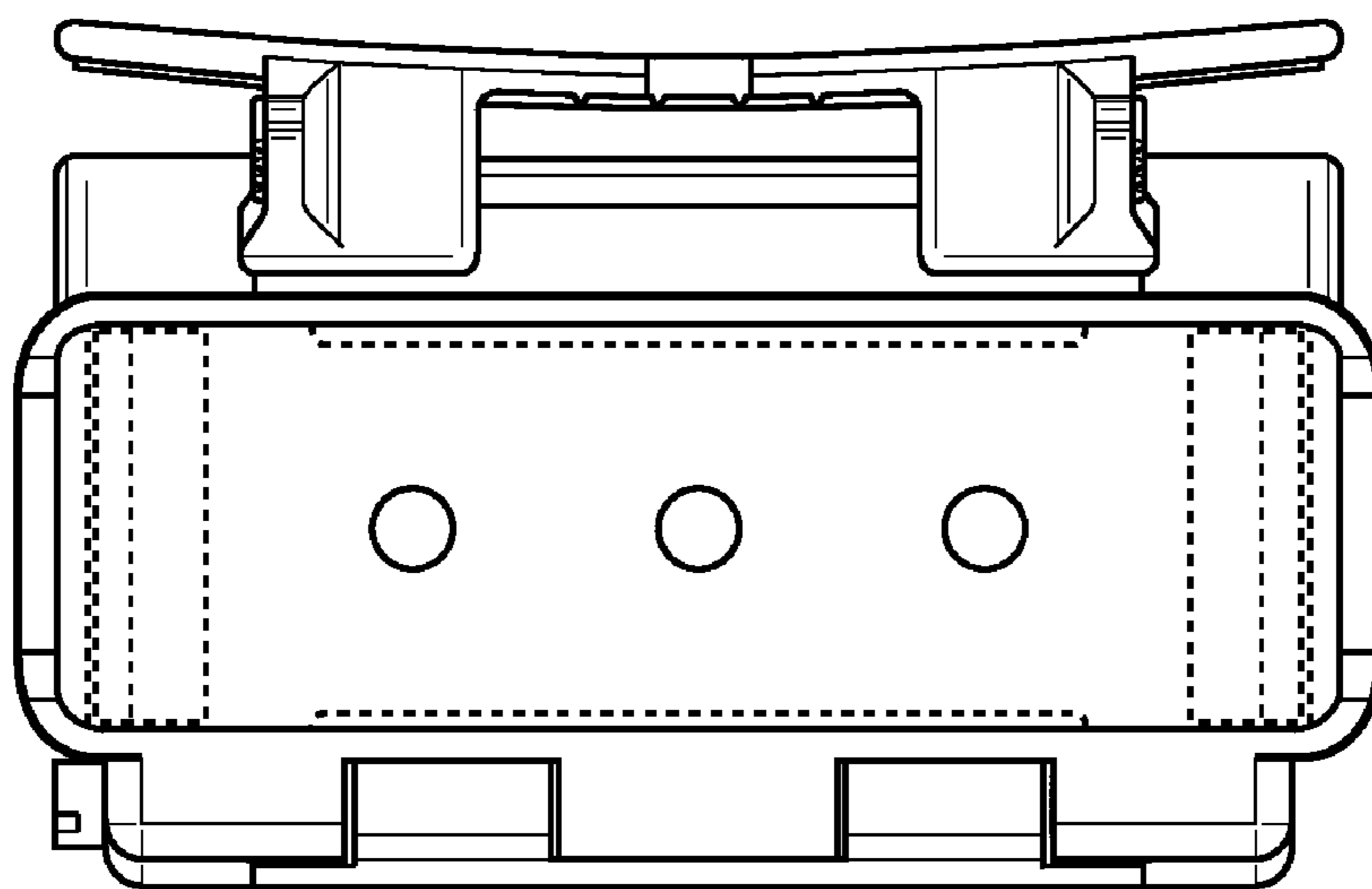




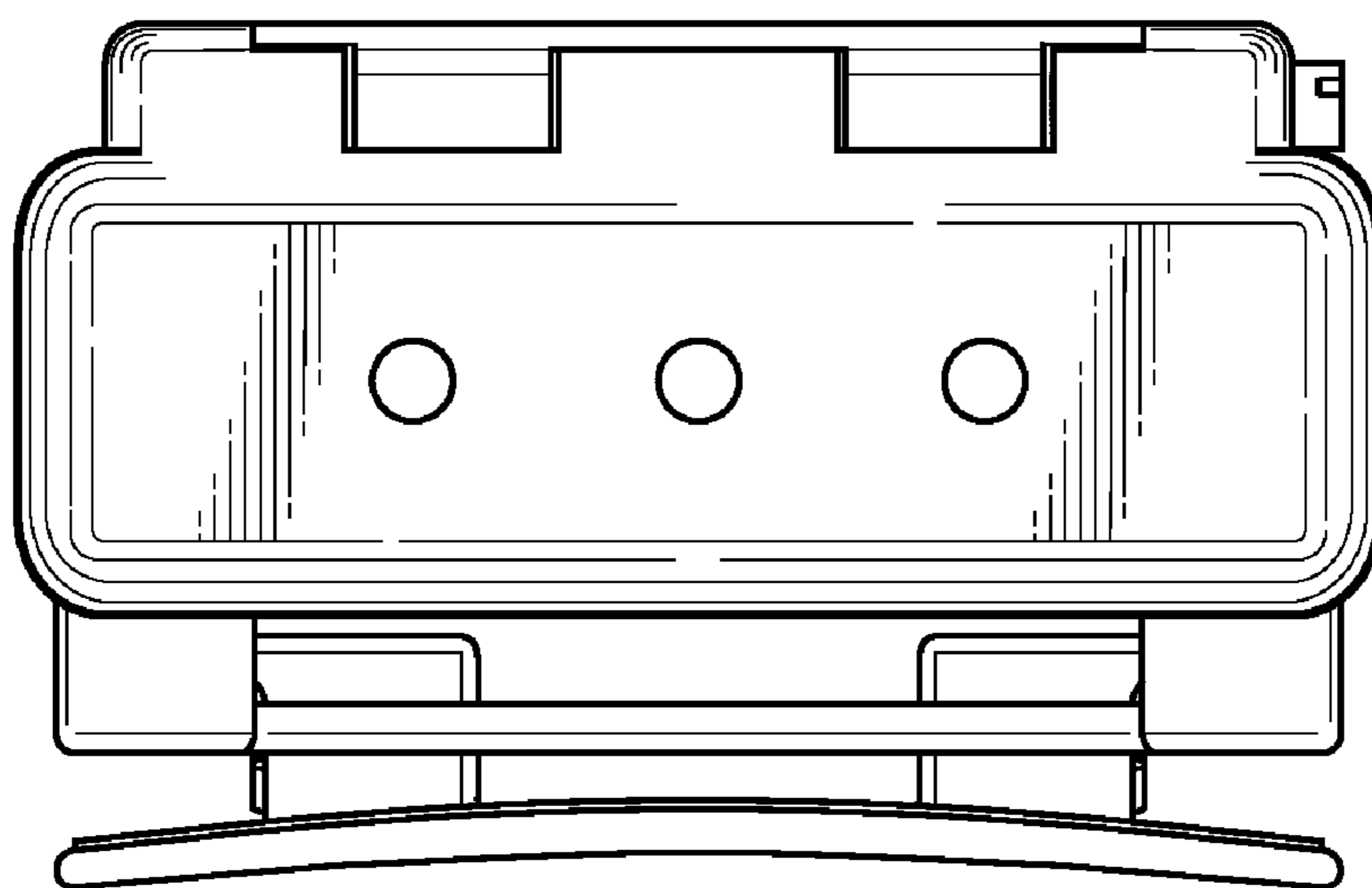
**FIG. 3**



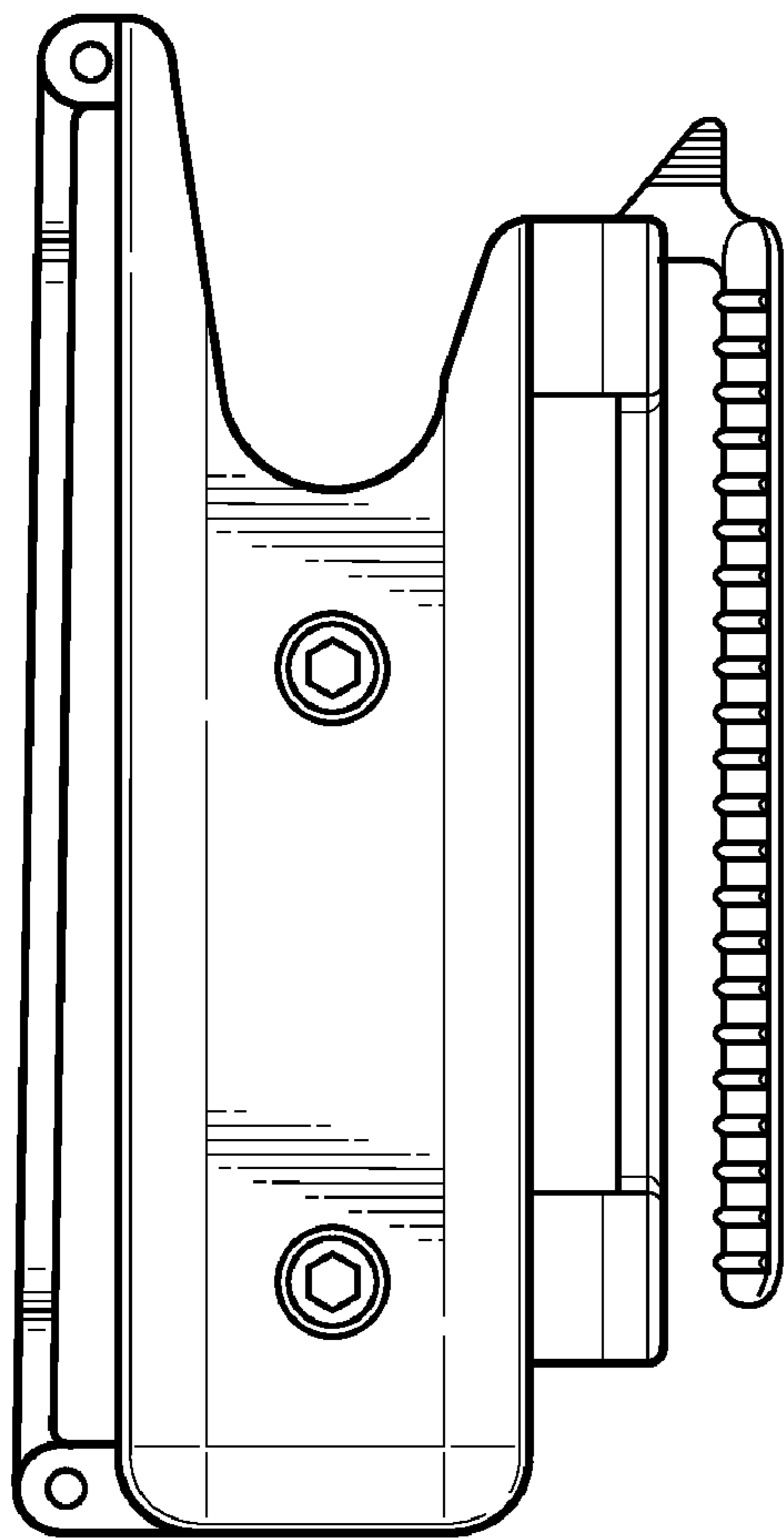
**FIG. 4**



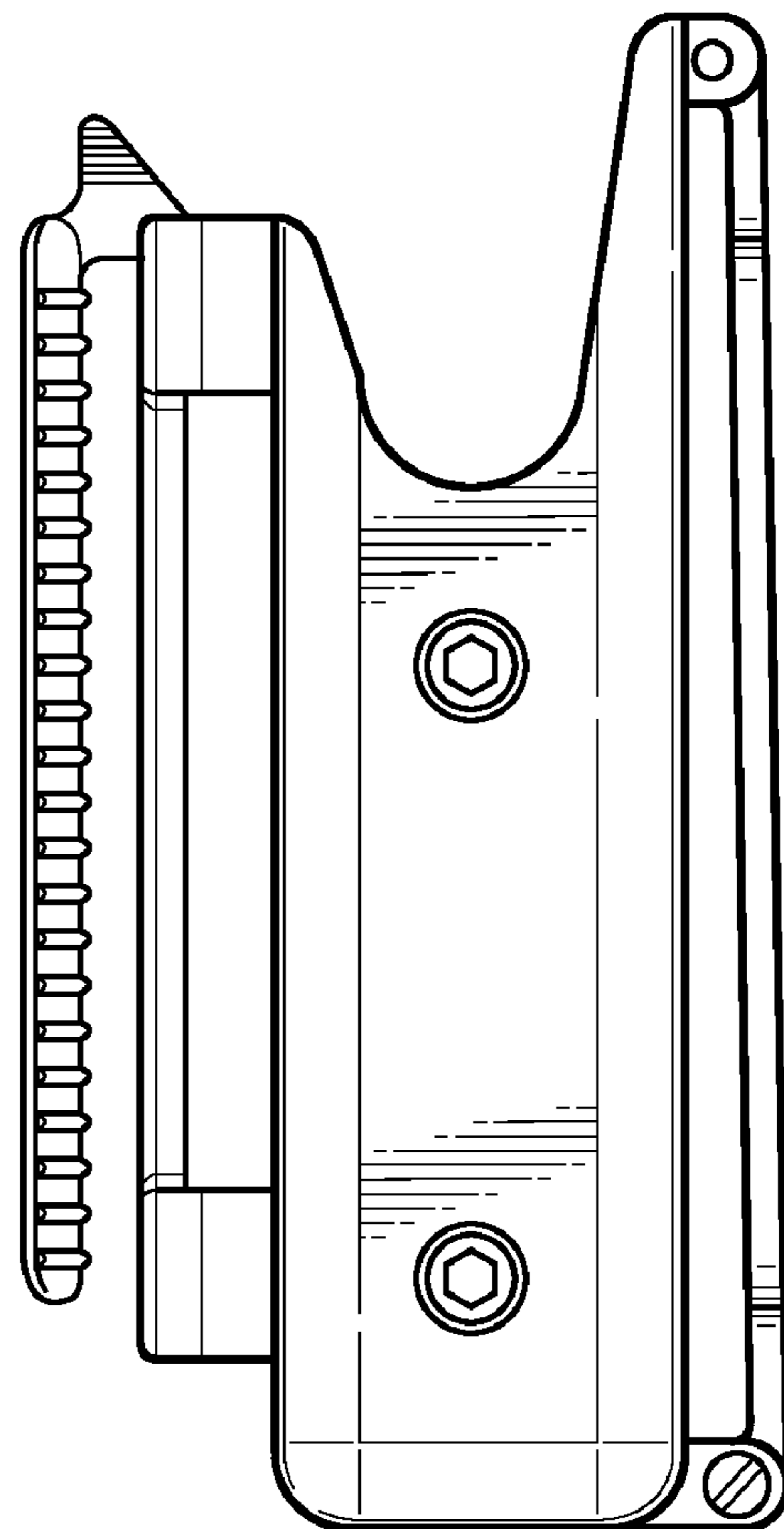
**FIG. 5**



**FIG. 6**



**FIG. 7**



**FIG. 8**