



US00D624146S

(12) **United States Design Patent**
Minkler

(10) **Patent No.:** **US D624,146 S**

(45) **Date of Patent:** **** Sep. 21, 2010**

(54) **FISHING LURE**

D443,673 S * 6/2001 Gowing D22/126
D511,367 S * 11/2005 Bowling D22/126

(76) Inventor: **Donald Dean Minkler**, 13844 CR 210,
Jasper, MO (US) 64755

* cited by examiner

Primary Examiner—Catherine R Oliver
(74) *Attorney, Agent, or Firm*—Martin & Associates, LLC;
Derek P. Martin

(**) Term: **14 Years**

(21) Appl. No.: **29/358,986**

(57) **CLAIM**

(22) Filed: **Apr. 2, 2010**

The ornamental design for a fishing lure, as shown and described.

(51) **LOC (9) Cl.** **22-05**

DESCRIPTION

(52) **U.S. Cl.** **D22/126**

FIG. 1 is a perspective view of a fishing lure showing my new design;

(58) **Field of Classification Search** D22/126–133;
43/42.47, 42.35, 42.36, 42.37, 42.45, 42.48,
43/23.2, 42.39, 42.4

FIG. 2 is a top view thereof;

FIG. 3 is a right side view thereof;

See application file for complete search history.

FIG. 4 is a left side view thereof;

FIG. 5 is a bottom view thereof;

(56) **References Cited**

U.S. PATENT DOCUMENTS

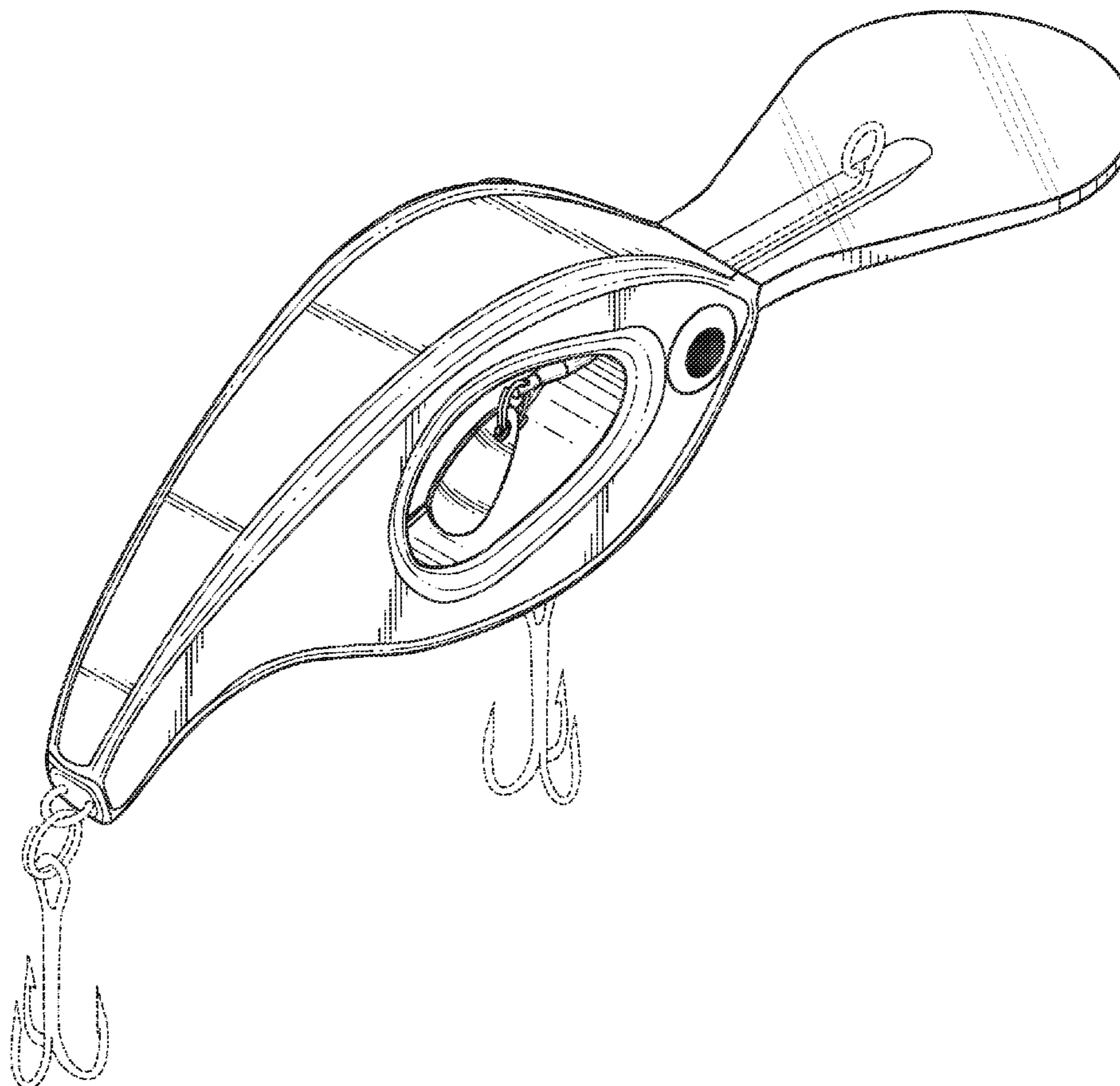
FIG. 6 is a front view thereof; and,

FIG. 7 is a rear view thereof.

4,700,504 A * 10/1987 Mattison 43/42.33

4,793,090 A * 12/1988 Cooper 43/42.43

1 Claim, 4 Drawing Sheets



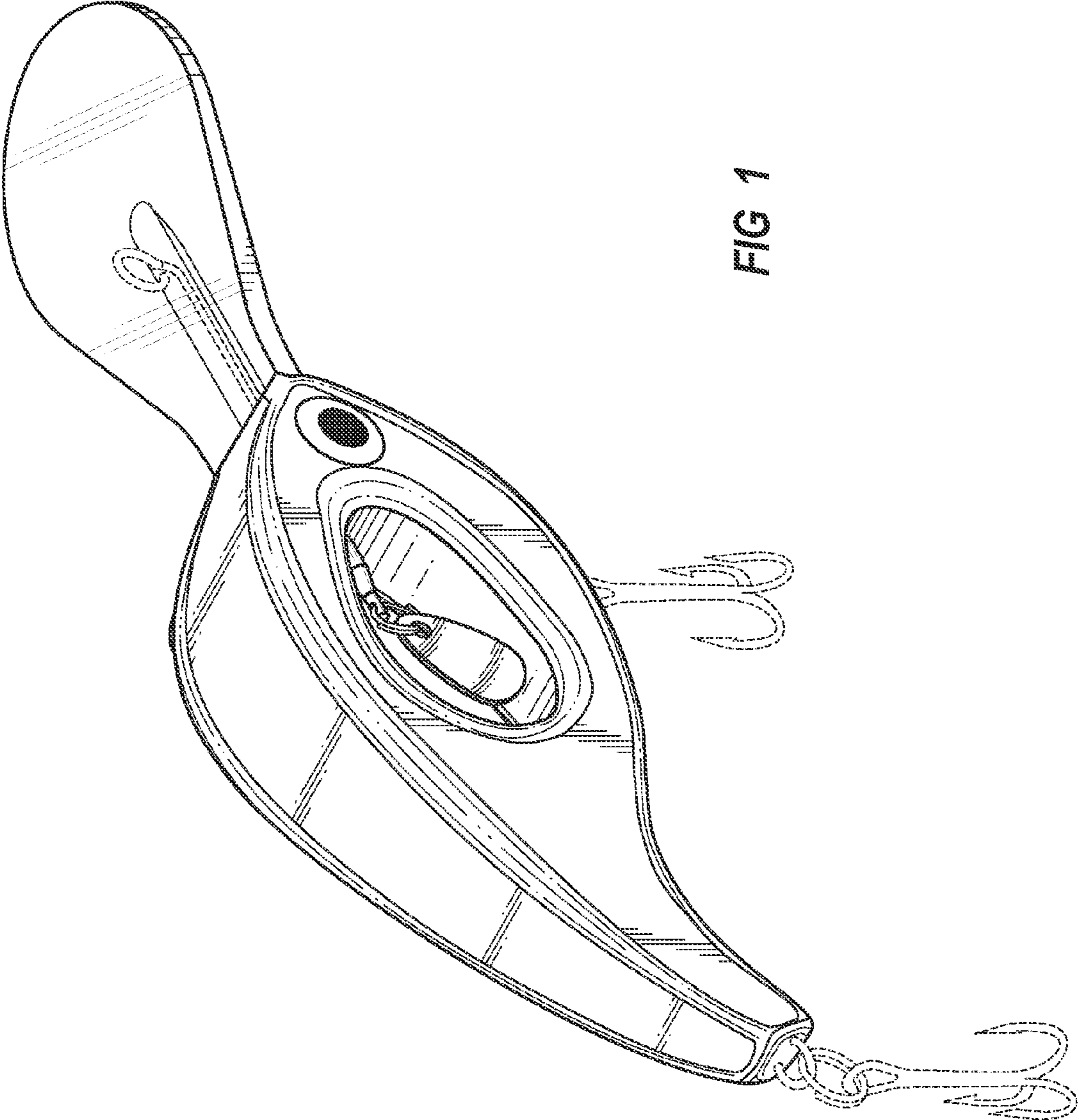


FIG 1

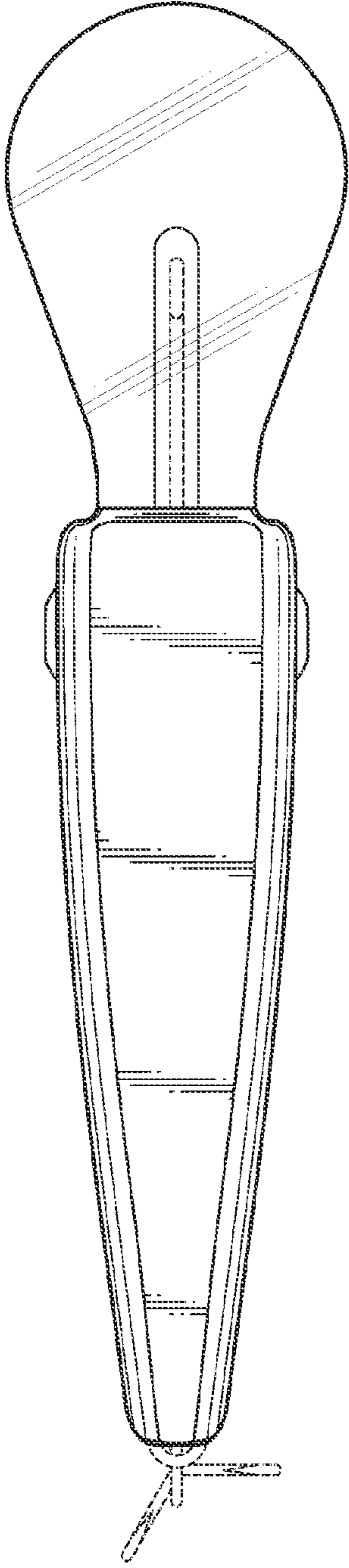


FIG 2

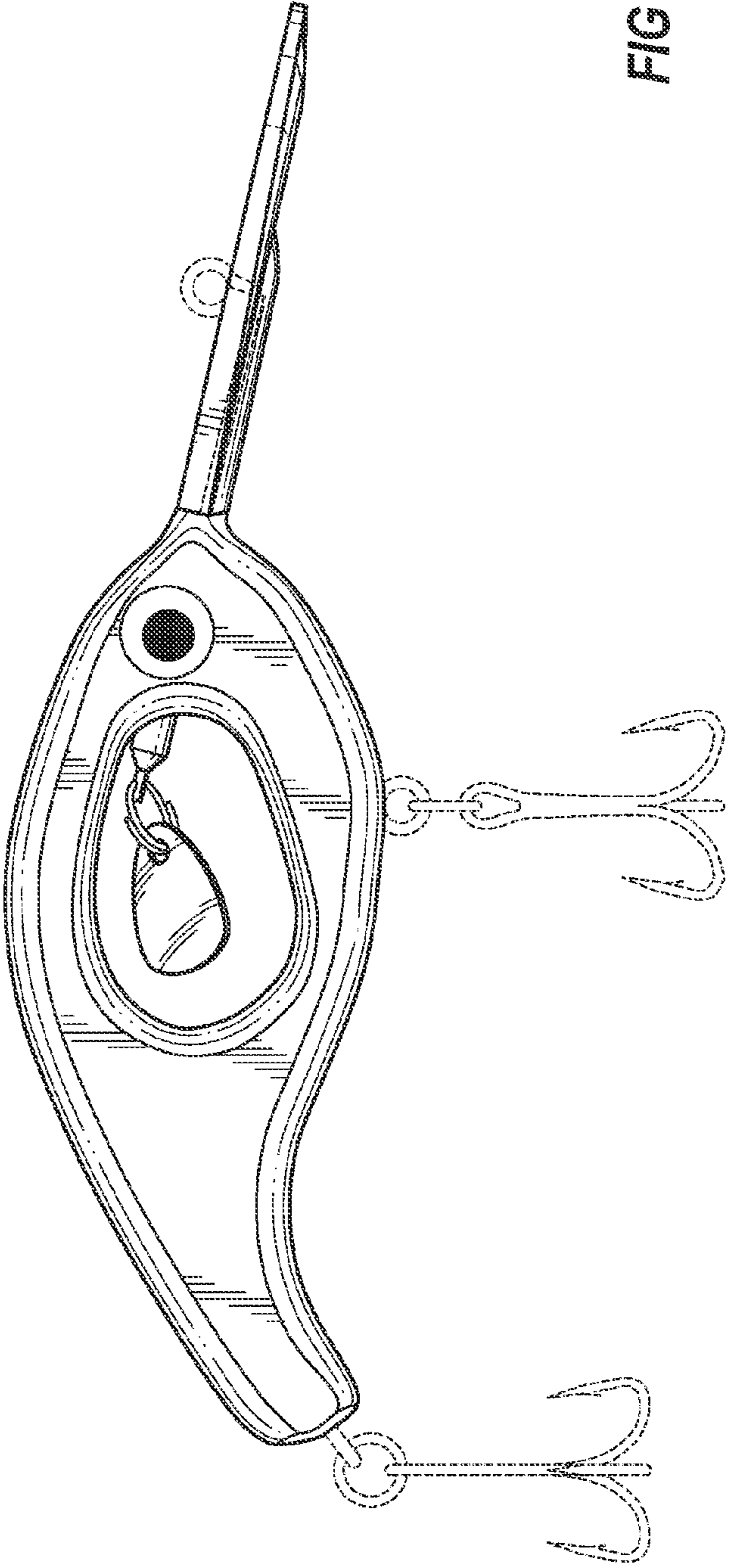


FIG 3

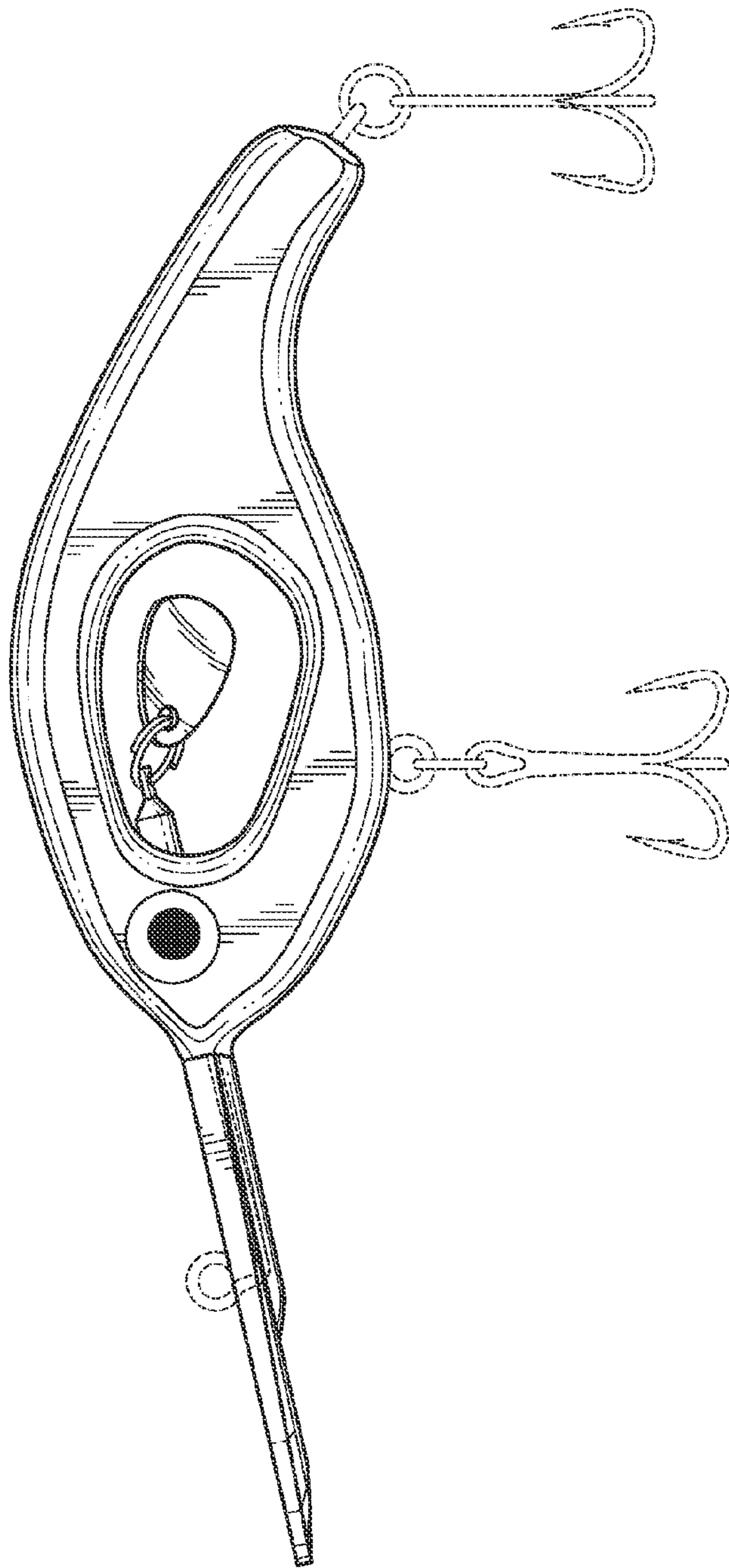


FIG 4

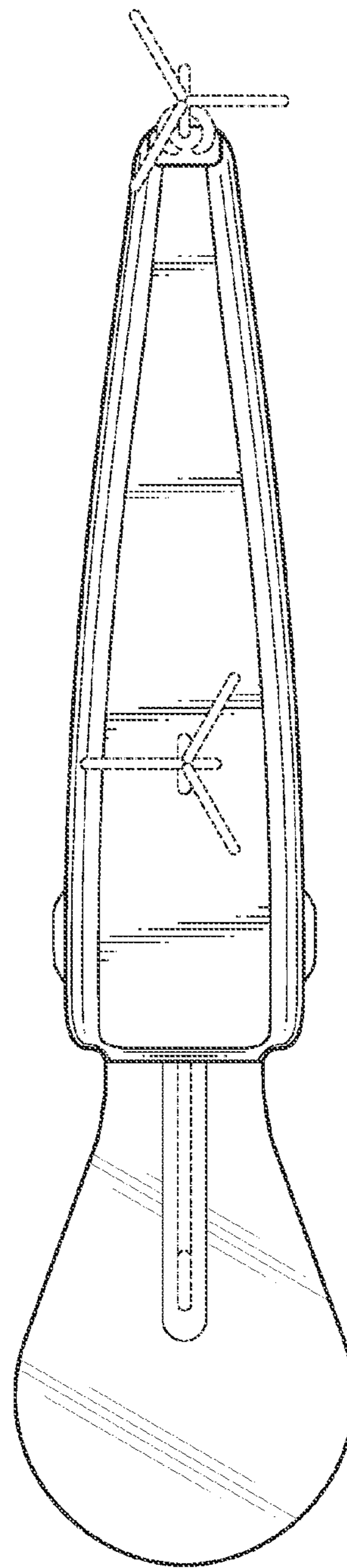


FIG 5

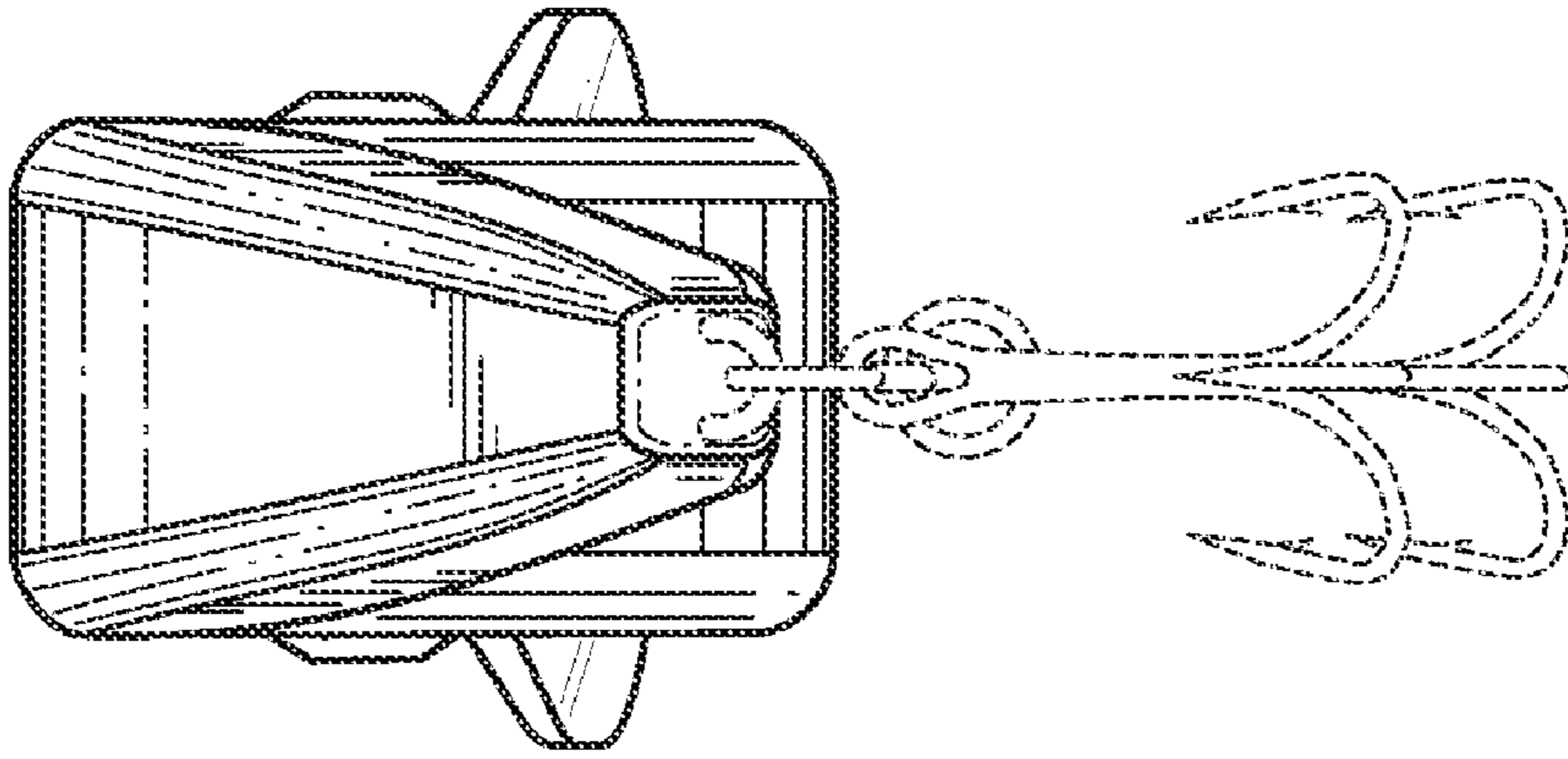


FIG 7

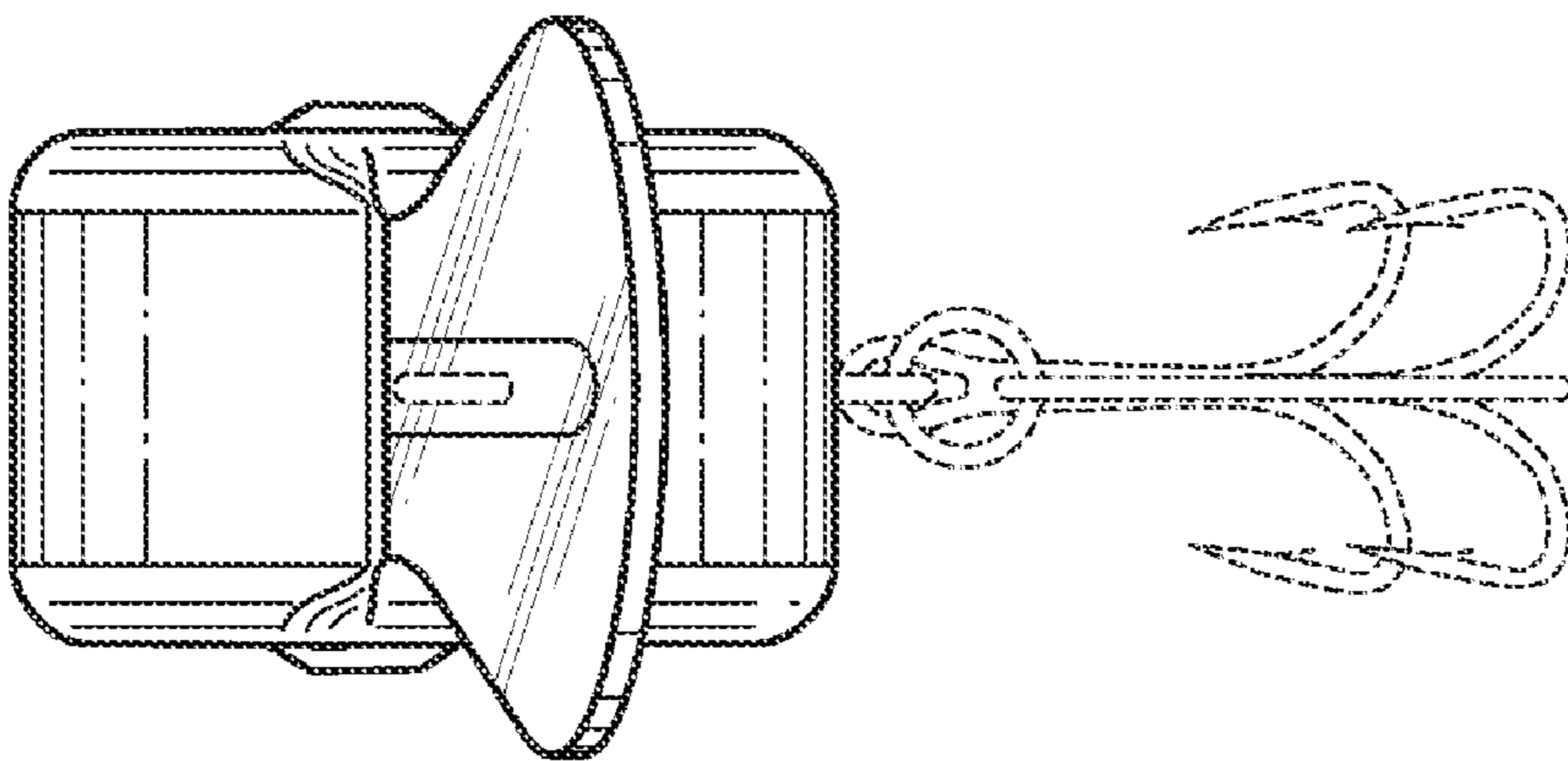


FIG 6