



US00D624140S

(12) **United States Design Patent**  
**Hicks**

(10) **Patent No.:** **US D624,140 S**

(45) **Date of Patent:** **\*\* Sep. 21, 2010**

(54) **GOLF PUTTER ACCESSORY**

(75) Inventor: **David Raymond Hicks**, Hampshire  
(GB)

(73) Assignee: **Dave Hicks Golf Ltd.** (GB)

(\*\*) Term: **14 Years**

(21) Appl. No.: **29/336,703**

(22) Filed: **May 7, 2009**

(51) **LOC (9) Cl.** ..... **21-02**

(52) **U.S. Cl.** ..... **D21/789**

(58) **Field of Classification Search** ..... D21/789,  
D21/753, 759; 473/219, 220, 221, 223, 226,  
473/257; 250/221; D26/37; 362/259  
See application file for complete search history.

(56) **References Cited**

**U.S. PATENT DOCUMENTS**

5,465,972	A *	11/1995	Cornett	.....	473/220
5,733,202	A *	3/1998	Vargo	.....	473/220
D448,059	S *	9/2001	Battaglia	.....	D21/791
6,450,893	B1 *	9/2002	Primiano et al.	.....	473/220
6,605,005	B1 *	8/2003	Lin	.....	473/220
6,690,003	B2 *	2/2004	Zak	.....	250/221

6,746,336	B1 *	6/2004	Brant et al.	.....	473/44
6,796,910	B1 *	9/2004	Foster	.....	473/220
6,875,122	B2 *	4/2005	Collins et al.	.....	473/220
6,905,419	B1 *	6/2005	Yeh	.....	473/220
D599,427	S *	9/2009	O'Keefe	.....	D21/791

\* cited by examiner

*Primary Examiner*—Mitchell I Siegel

(74) *Attorney, Agent, or Firm*—Renner, Otto, Boisselle & Sklar, LLP

(57) **CLAIM**

The ornamental design for a golf putter accessory, as shown and described.

**DESCRIPTION**

FIG. 1 is a perspective view from one end of a golf putter accessory showing my new design.

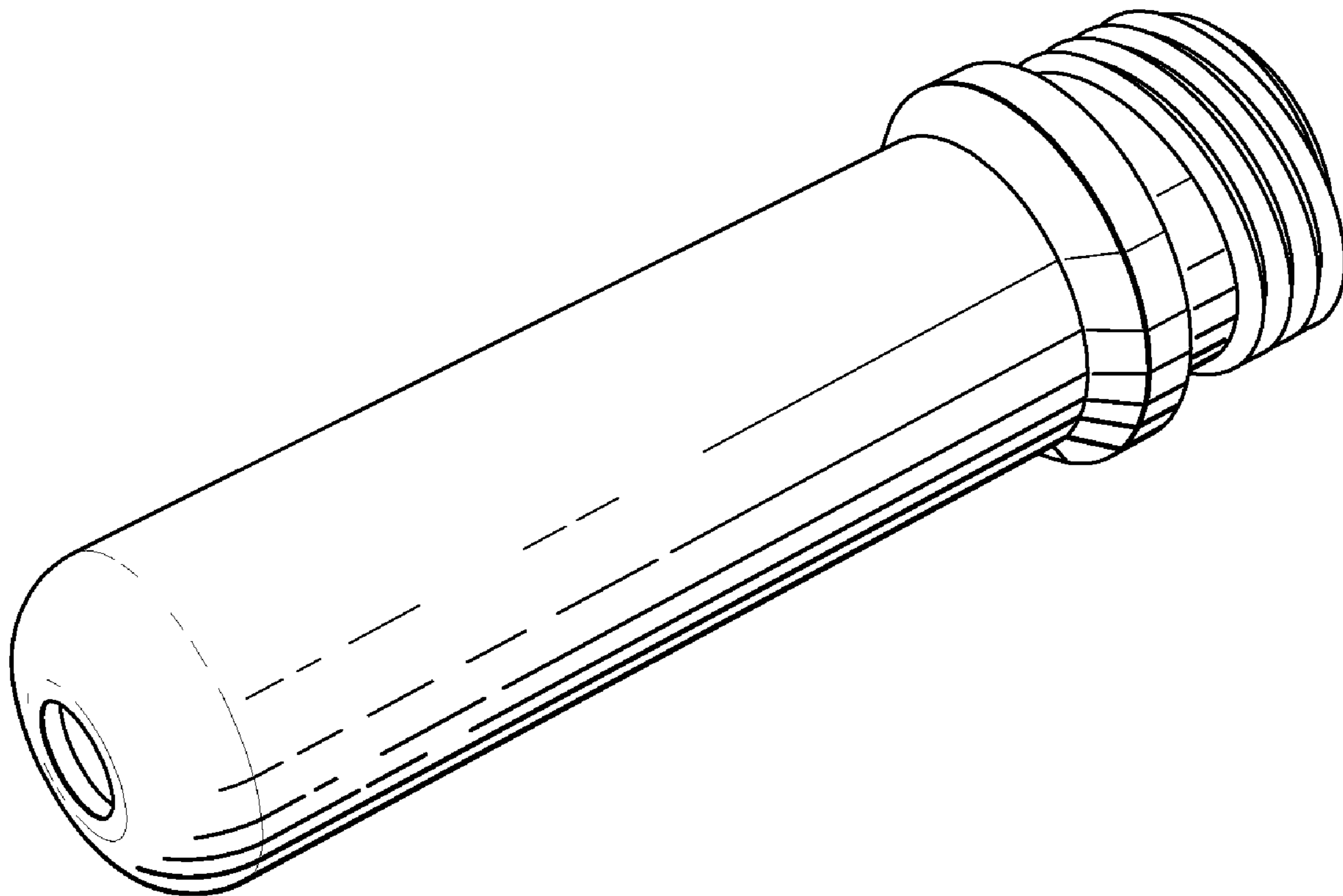
FIG. 2 is a perspective view from other end of the golf putter accessory, opposite that of FIG. 1.

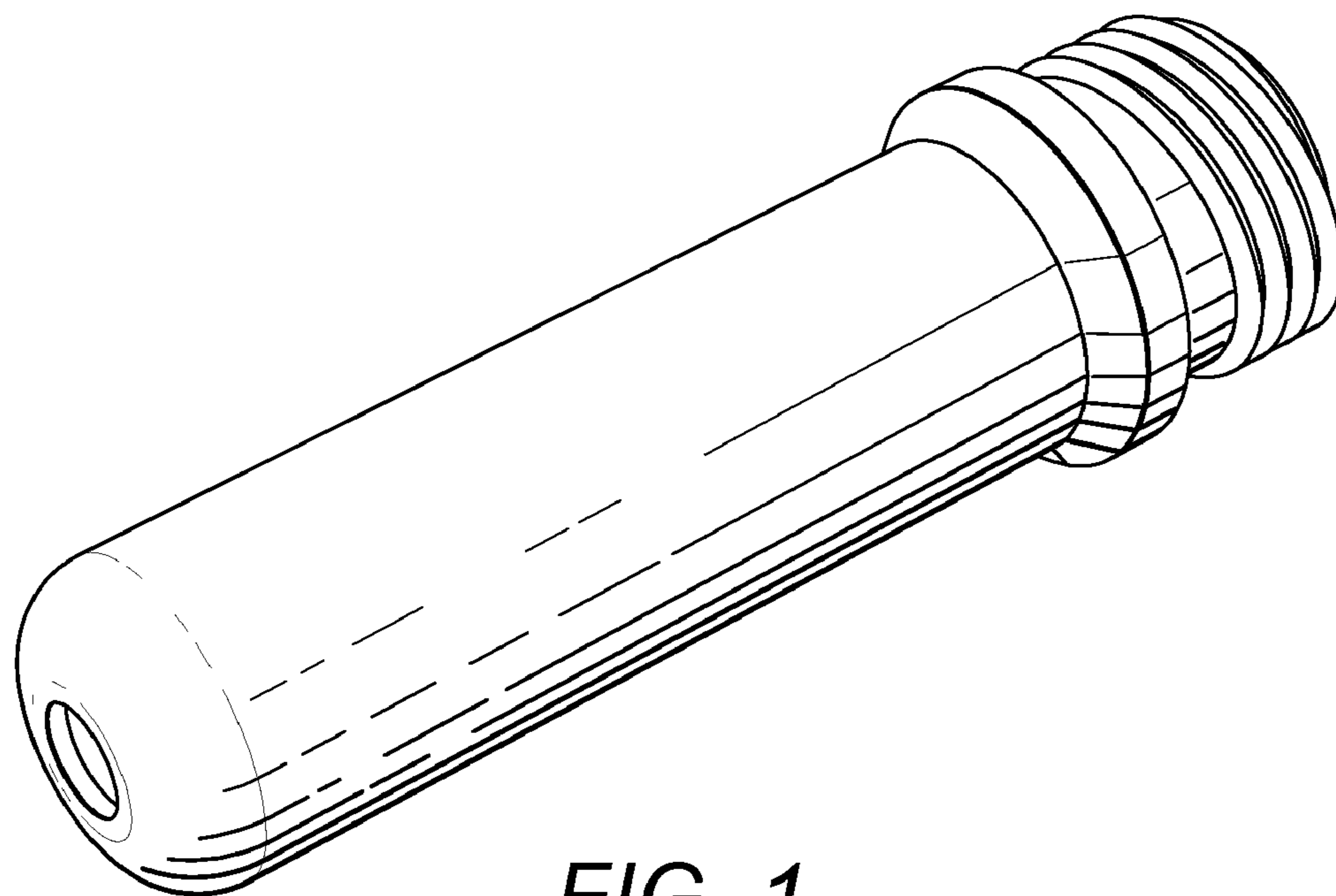
FIG. 3 is a side view of the golf putter accessory.

FIG. 4 is a one end view of the golf putter accessory; and,

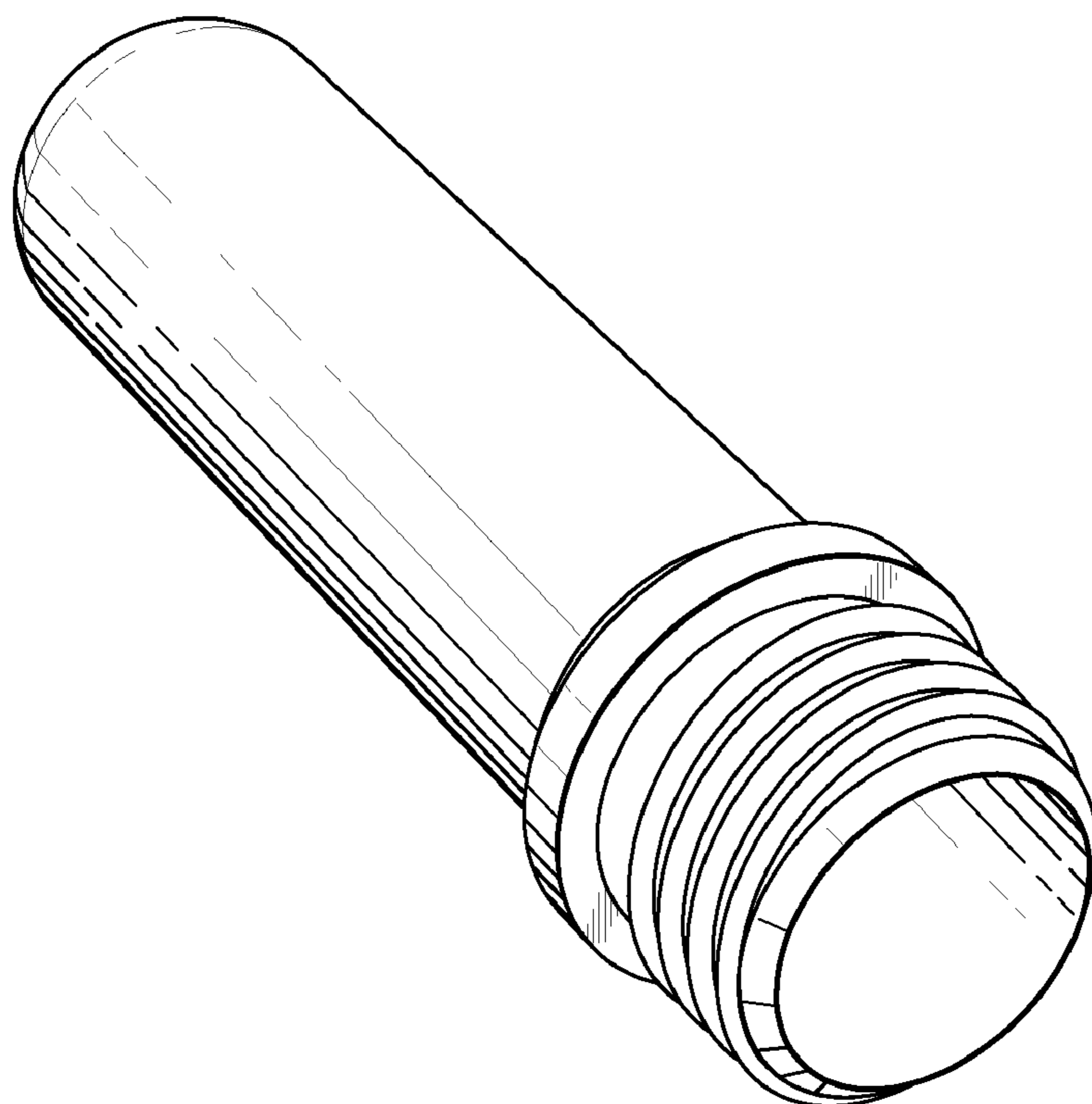
FIG. 5 is an end view of the golf putter accessory, opposite that of FIG. 4.

**1 Claim, 2 Drawing Sheets**

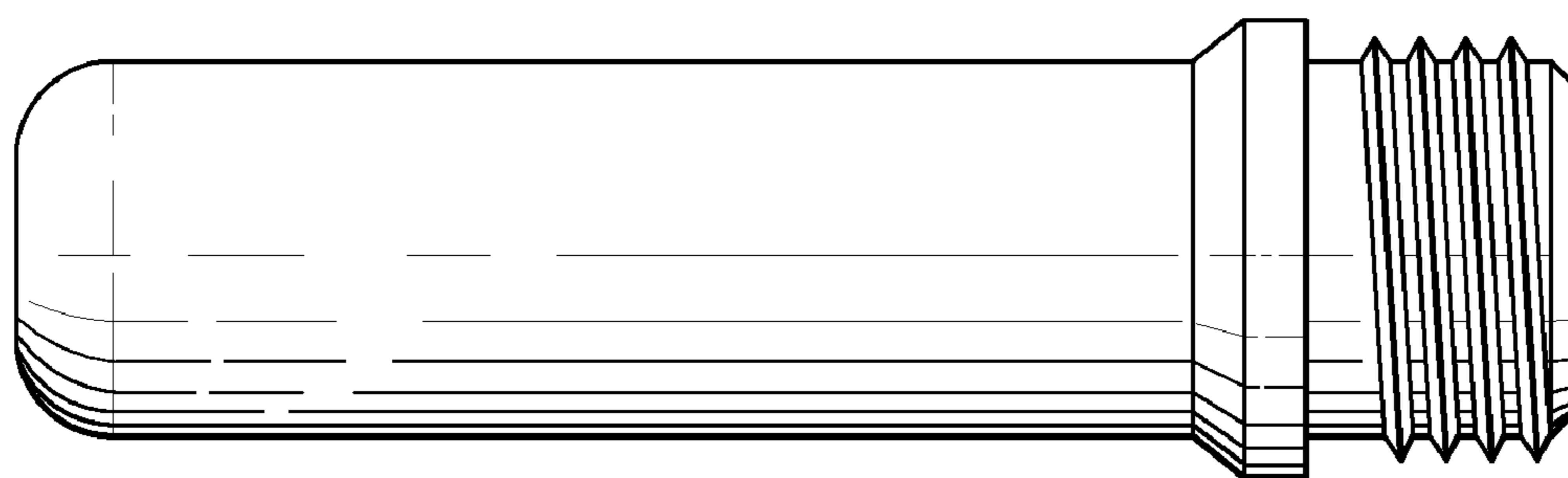




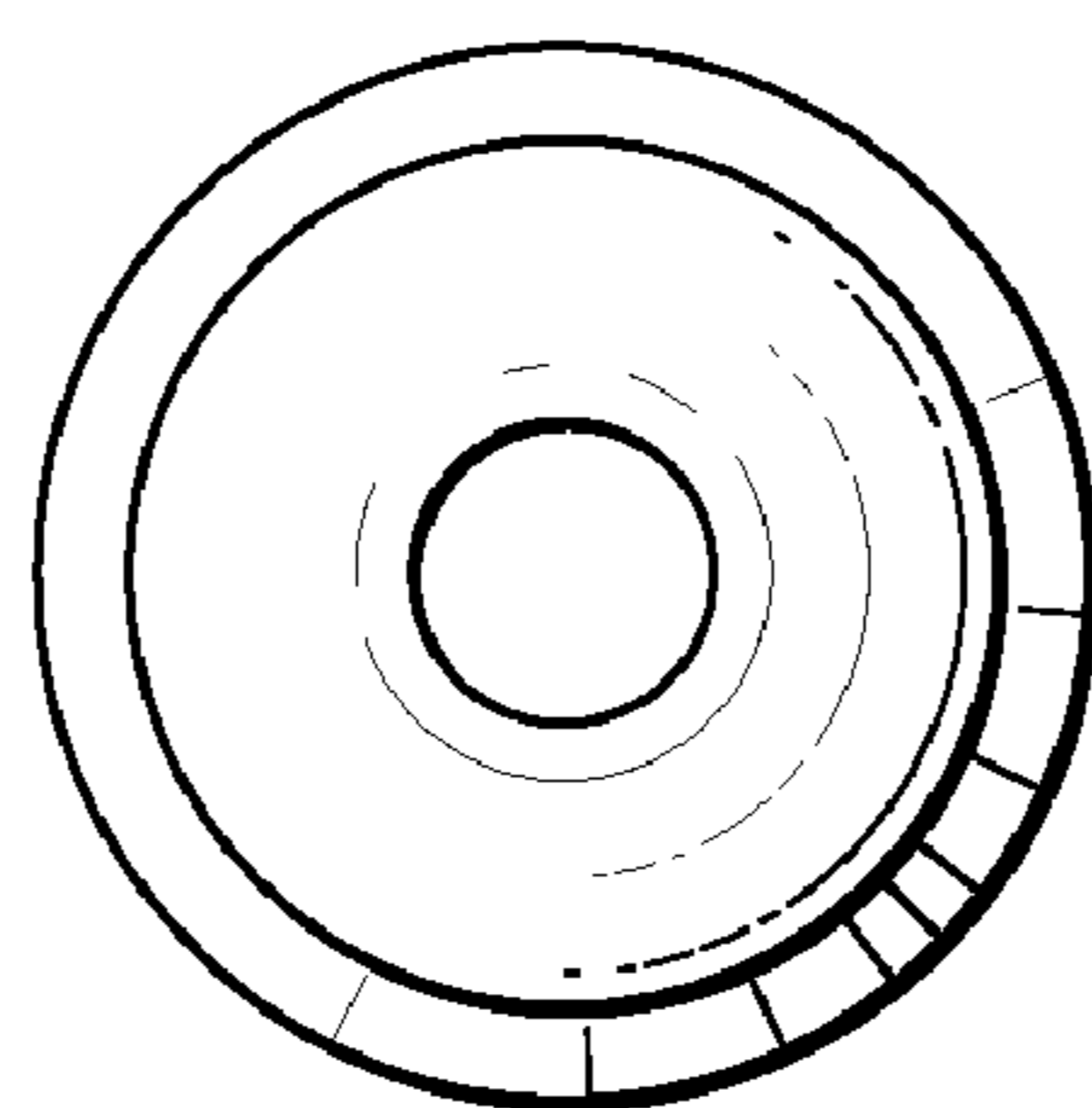
*FIG. 1*



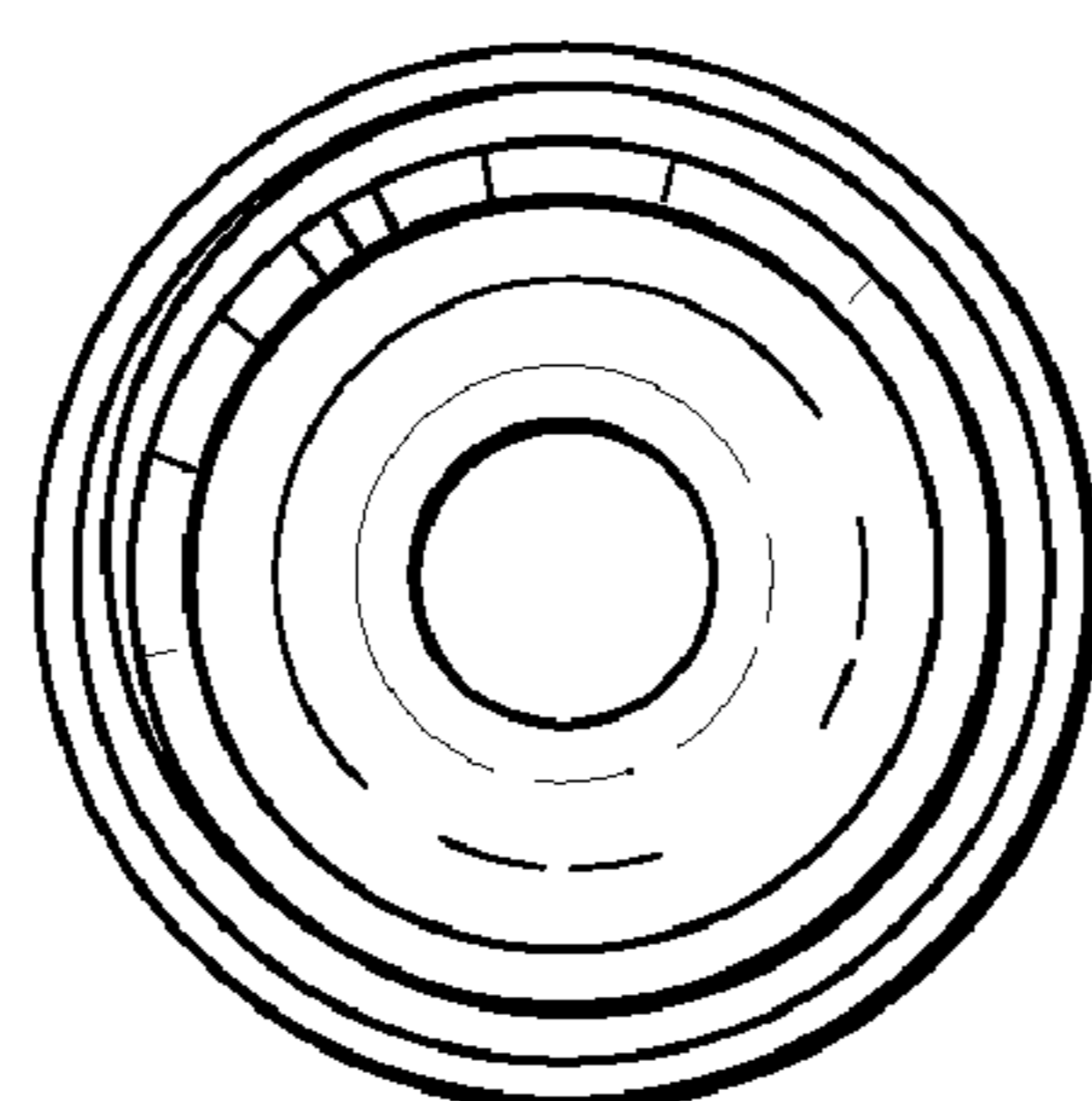
*FIG. 2*



*FIG. 3*



*FIG. 4*



*FIG. 5*