



US00D624139S

(12) **United States Design Patent**
Girard et al.

(10) **Patent No.:** **US D624,139 S**

(45) **Date of Patent:** **** Sep. 21, 2010**

(54) **PORTION OF A NORDIC SKI BINDING**

(75) Inventors: **Francois Girard**, Veyrier du Lac (FR);
Eddy Yelovina, Seynod (FR)

(73) Assignee: **Salomon S.A.S.**, Metz-Tessy (FR)

(**) Term: **14 Years**

(21) Appl. No.: **29/359,660**

(22) Filed: **Apr. 14, 2010**

(30) **Foreign Application Priority Data**

Oct. 26, 2009 (EM) DM/072 611

(51) **LOC (9) Cl.** **21-02**

(52) **U.S. Cl.** **D21/773**

(58) **Field of Classification Search** D21/760,
D21/761, 765, 766, 773, 801, 803; 441/65-66,
441/68-69, 72-75, 79; D12/6; 280/11.3,
280/11.31, 601-606, 609-610

See application file for complete search history.

(56) **References Cited**

U.S. PATENT DOCUMENTS

D329,267 S * 9/1992 Arnulf D21/773
5,397,150 A * 3/1995 Commier et al. 280/607
5,480,175 A * 1/1996 Astier et al. 280/607
D425,955 S * 5/2000 Girard et al. D21/773
6,848,703 B2 * 2/2005 Godde et al. 280/607

D537,140 S * 2/2007 Battistoni D21/773
D538,372 S 3/2007 Bonnemere D21/773
7,393,000 B2 * 7/2008 Resch et al. 280/604
7,744,113 B2 * 6/2010 Farges 280/618
2002/0014757 A1 * 2/2002 Silva 280/607
2002/0096860 A1 * 7/2002 Lowe 280/602

* cited by examiner

Primary Examiner—Janice E Seeger

Assistant Examiner—Zenja I Bennett

(74) *Attorney, Agent, or Firm*—Terence P. O'Brien

(57) **CLAIM**

We claim the ornamental design for a portion of a Nordic ski binding, as shown and described.

DESCRIPTION

FIG. 1 is a top, first side perspective view of a portion of a Nordic ski binding;

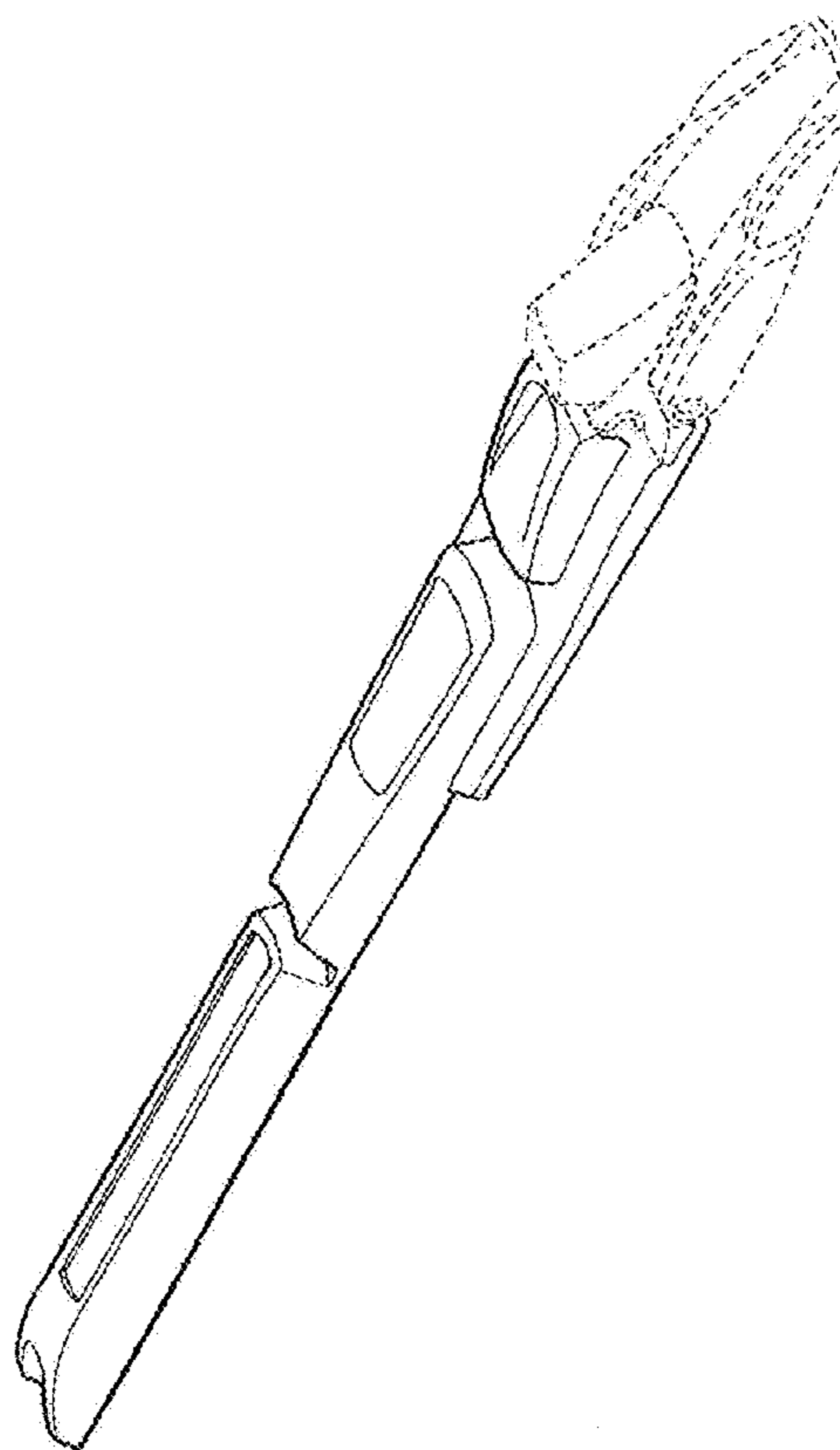
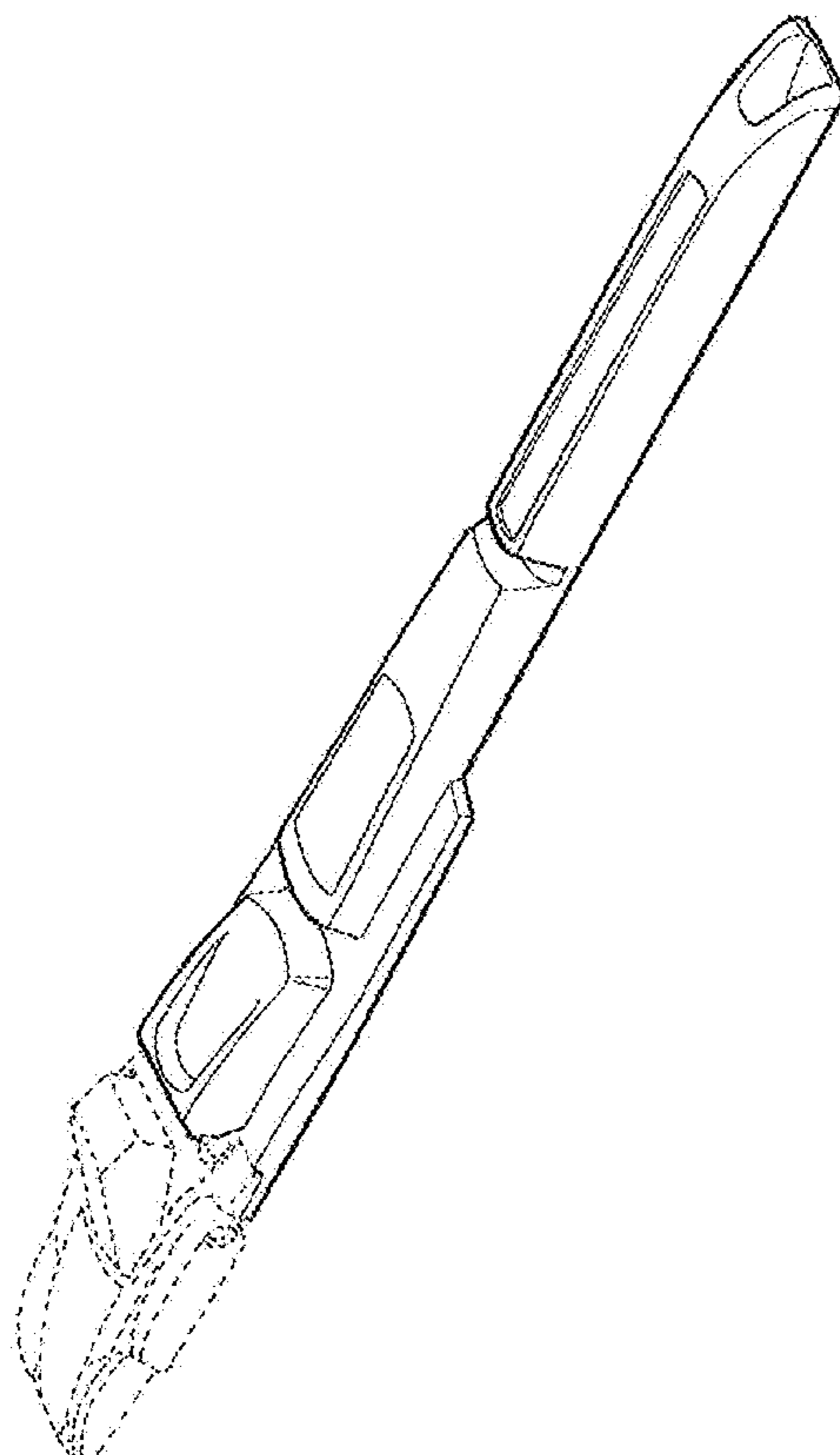
FIG. 2 is a top, second side perspective view of the portion of the Nordic ski binding of FIG. 1;

FIG. 3 is a top view of the portion of the Nordic ski binding of FIG. 1; and,

FIG. 4 is a side view of the portion of the Nordic ski binding of FIG. 1.

The broken (dashed) lines shown in FIGS. 1 through 4 are included for the purpose of illustrating environmental elements only and form no part of the claimed design.

1 Claim, 3 Drawing Sheets



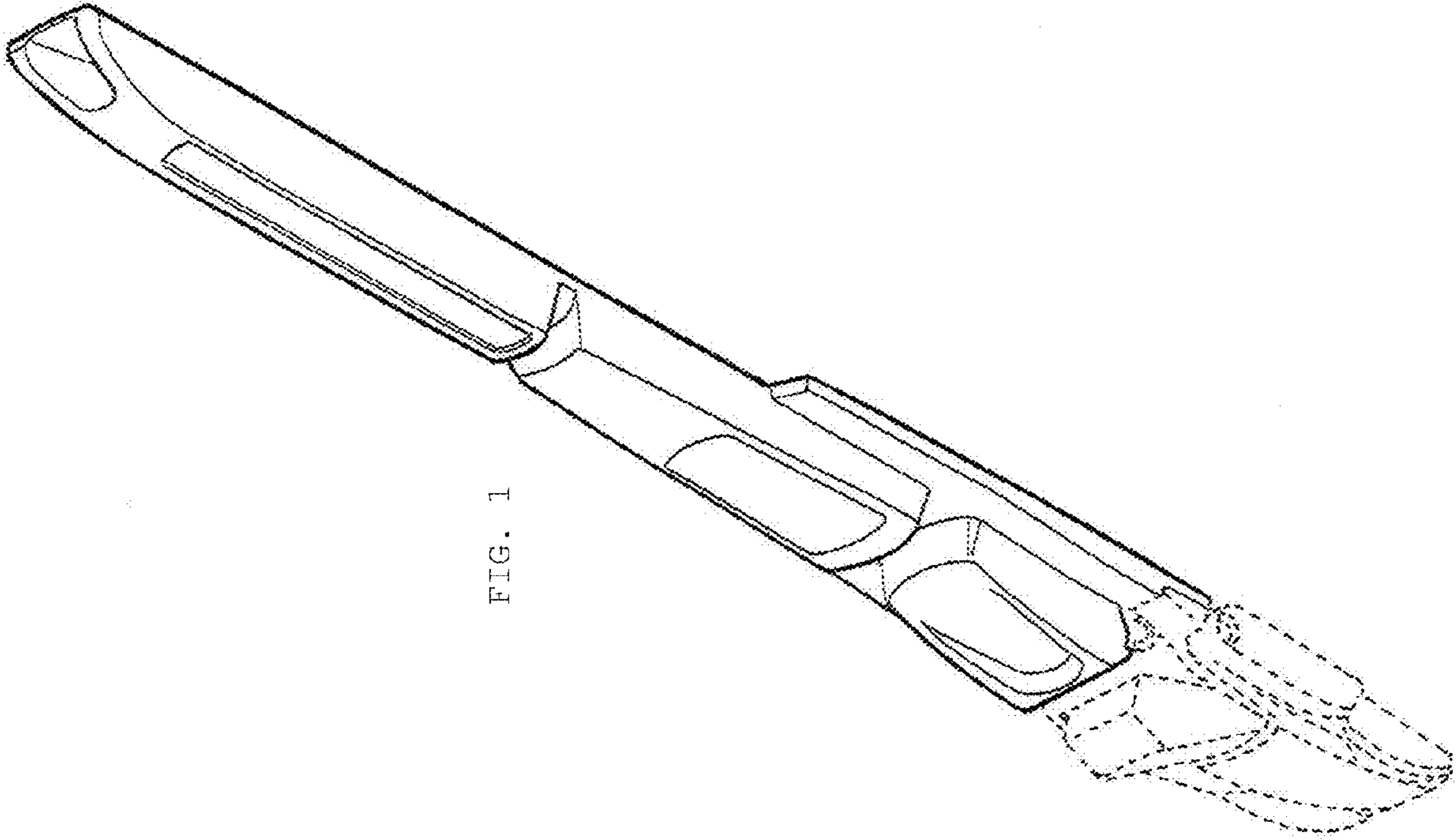


FIG. 1

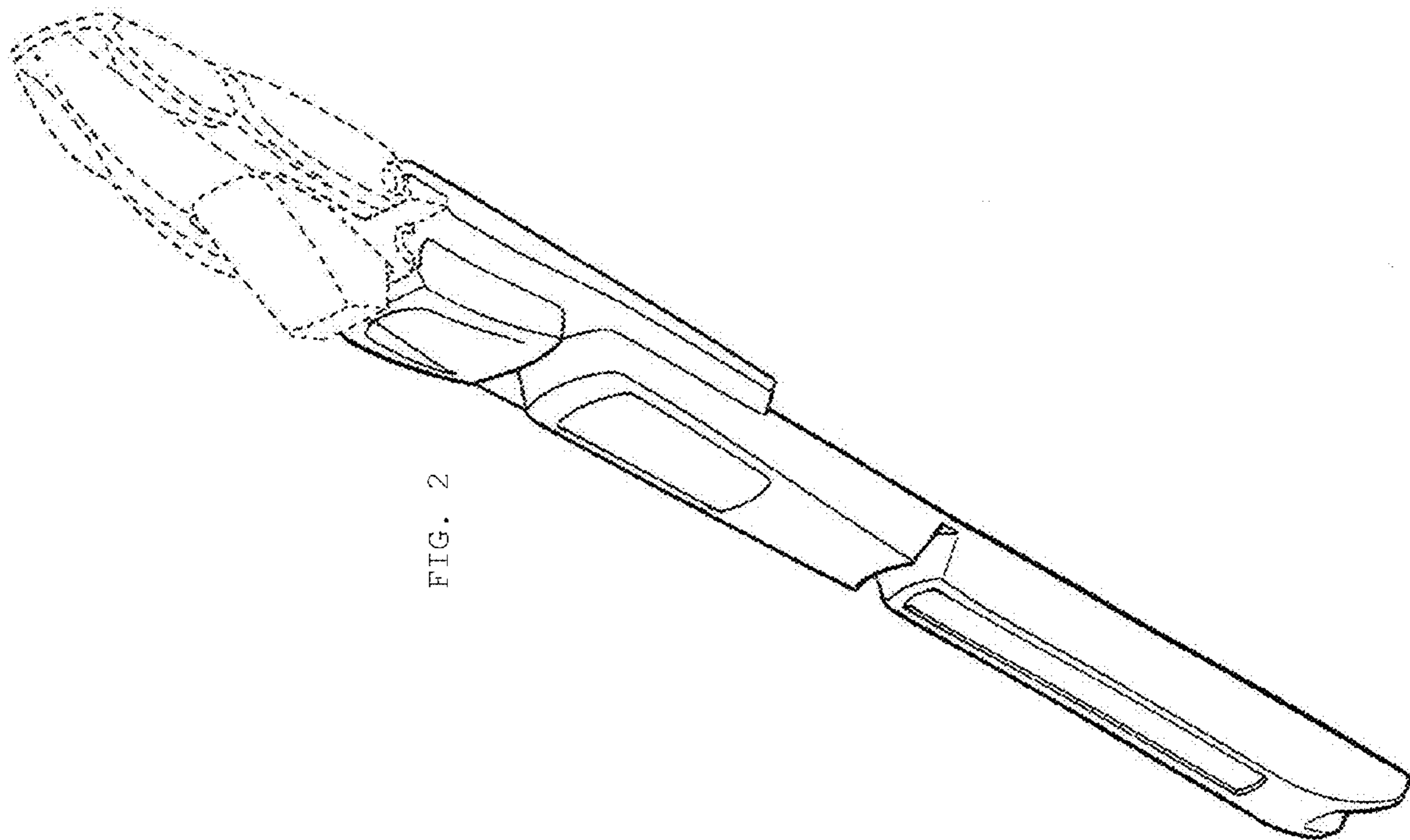


FIG. 2

FIG. 4

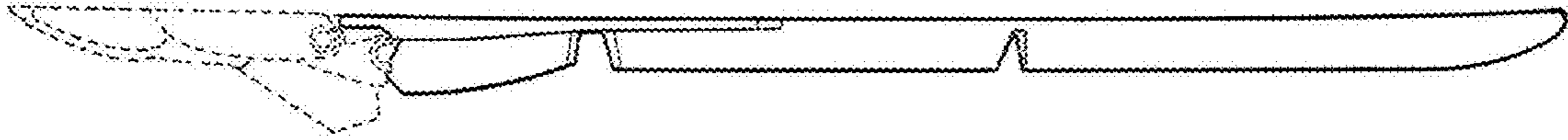


FIG. 3

