



US00D624135S

(12) **United States Design Patent**
Tsai

(10) **Patent No.:** **US D624,135 S**

(45) **Date of Patent:** **** Sep. 21, 2010**

(54) **EXERCISE DEVICE**

(76) Inventor: **Cheng-Ta Tsai**, 2F, No. 298, Rueiguang Rd., Neihu Dist., Taipei (TW)

(**) Term: **14 Years**

(21) Appl. No.: **29/339,560**

(22) Filed: **Jul. 2, 2009**

(51) **LOC (9) Cl.** **21-02**

(52) **U.S. Cl.** **D21/668; D21/673**

(58) **Field of Classification Search** D21/662, D21/668, 670, 672-674, 685, 686; 482/70-71, 482/79, 121, 130-131, 141, 147
See application file for complete search history.

(56) **References Cited**

U.S. PATENT DOCUMENTS

3,547,434	A *	12/1970	Ossenkop	482/71
4,340,214	A *	7/1982	Schutzer	482/51
4,743,014	A *	5/1988	Loane	482/71
5,503,609	A *	4/1996	Bull	482/70
6,280,366	B1 *	8/2001	Hsieh	482/130
6,514,180	B1 *	2/2003	Rawls	482/70
6,786,850	B2 *	9/2004	Nizamuddin	482/51
6,837,838	B2 *	1/2005	List	482/147
D512,111	S *	11/2005	Summers	D21/668
D535,710	S *	1/2007	Hsiung	D21/668
D550,312	S *	9/2007	Summers	D21/668
7,294,100	B2 *	11/2007	Bull	482/51

7,303,511	B2 *	12/2007	Bull	482/71
D589,573	S *	3/2009	McVay et al.	D21/668
7,556,592	B2 *	7/2009	Nizam	482/70
D603,001	S *	10/2009	Wong	D21/688
7,641,603	B2 *	1/2010	Lacher	482/134
2004/0053752	A1 *	3/2004	Yang	482/70
2004/0242381	A1 *	12/2004	Parmater	482/71

* cited by examiner

Primary Examiner—Susan E Krakower

(74) *Attorney, Agent, or Firm*—Alan Kamrath; Kamrath & Associates PA

(57) **CLAIM**

The ornamental design for an exercise device, as shown.

DESCRIPTION

FIG. 1 is a front perspective view of an exercise device showing my new design;

FIG. 2 is a front view thereof;

FIG. 3 is a rear view thereof;

FIG. 4 is a left side view thereof;

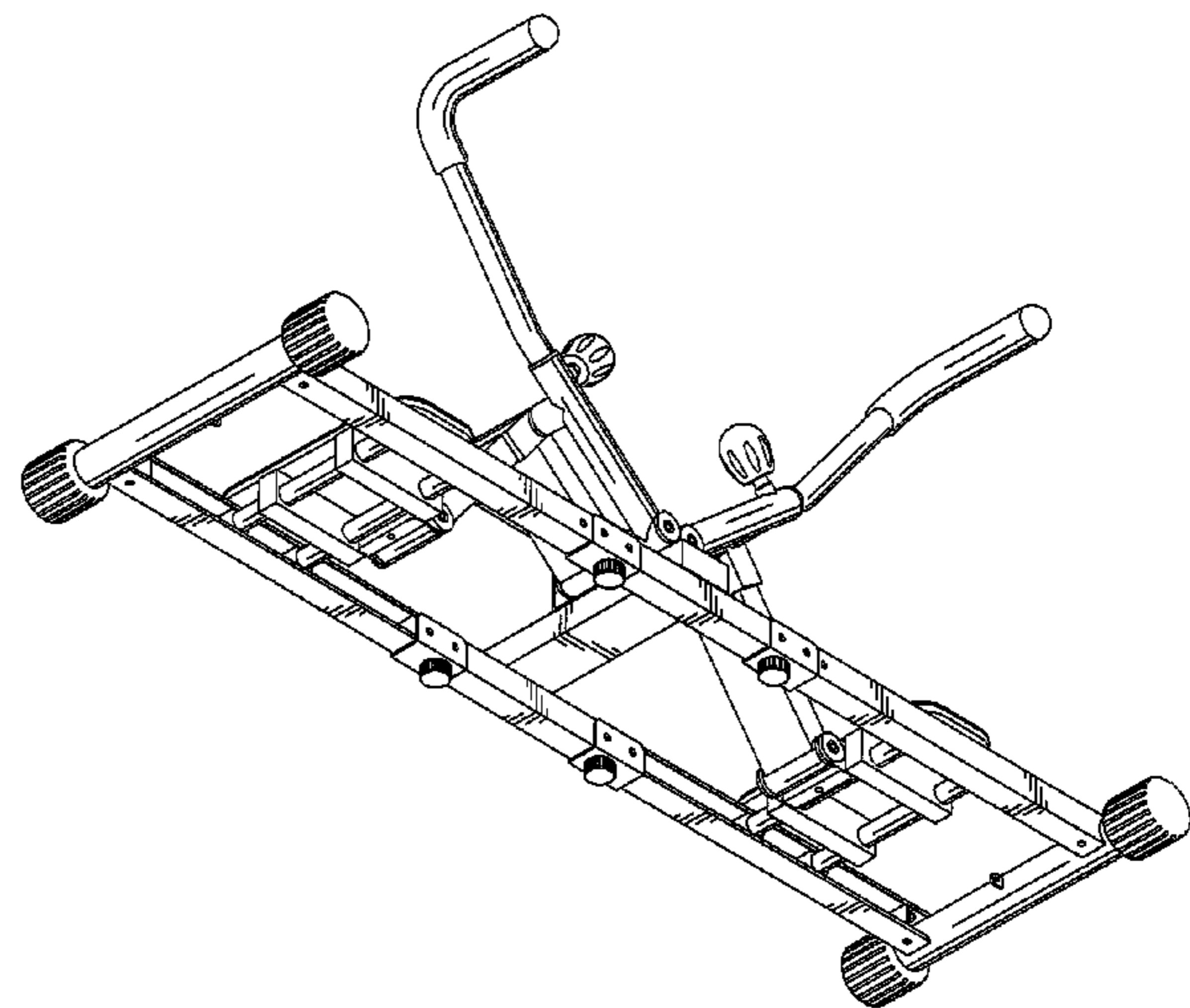
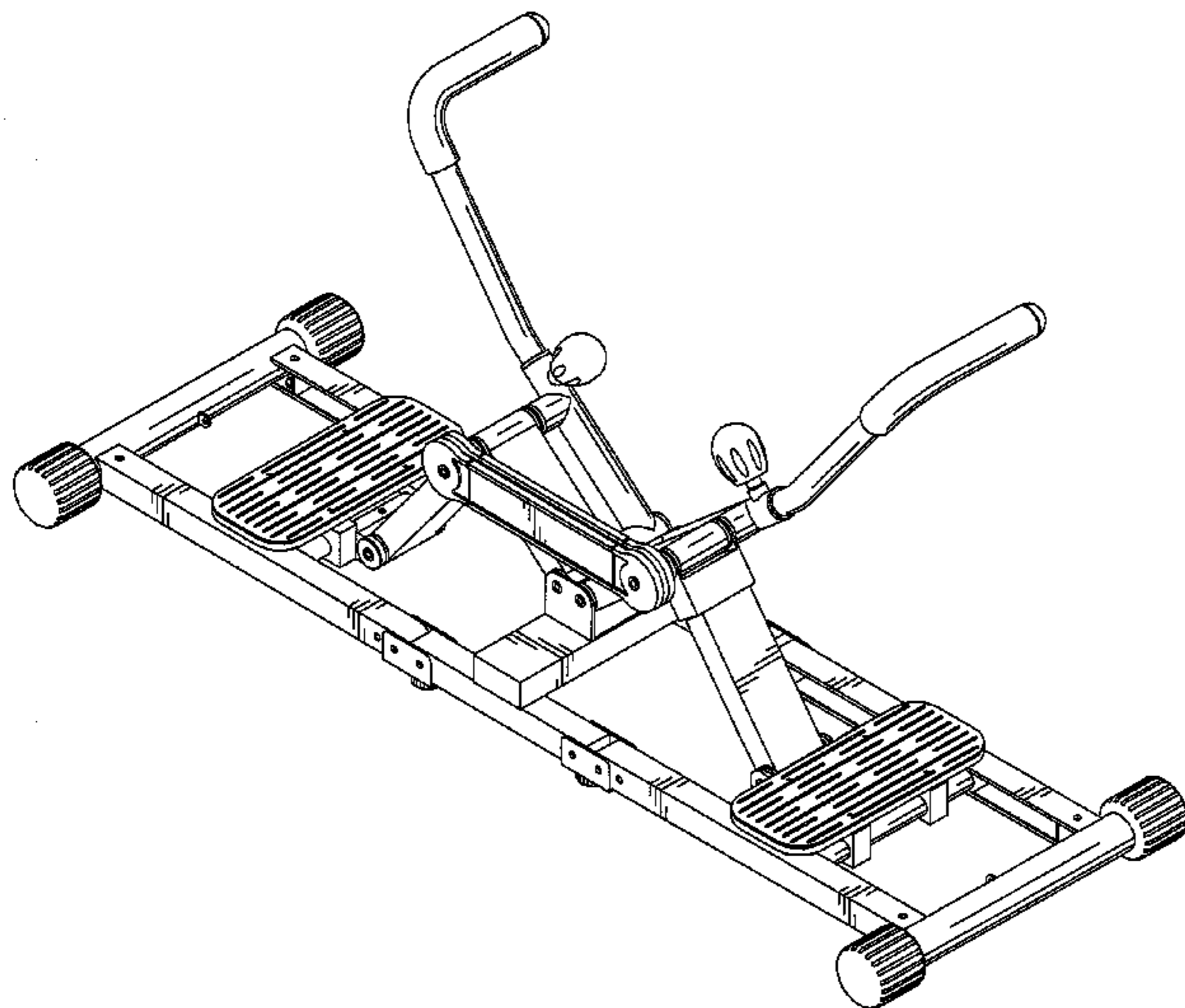
FIG. 5 is a right side view thereof;

FIG. 6 is a top view thereof;

FIG. 7 is a bottom view thereof; and,

FIG. 8 is a bottom perspective view thereof.

1 Claim, 8 Drawing Sheets



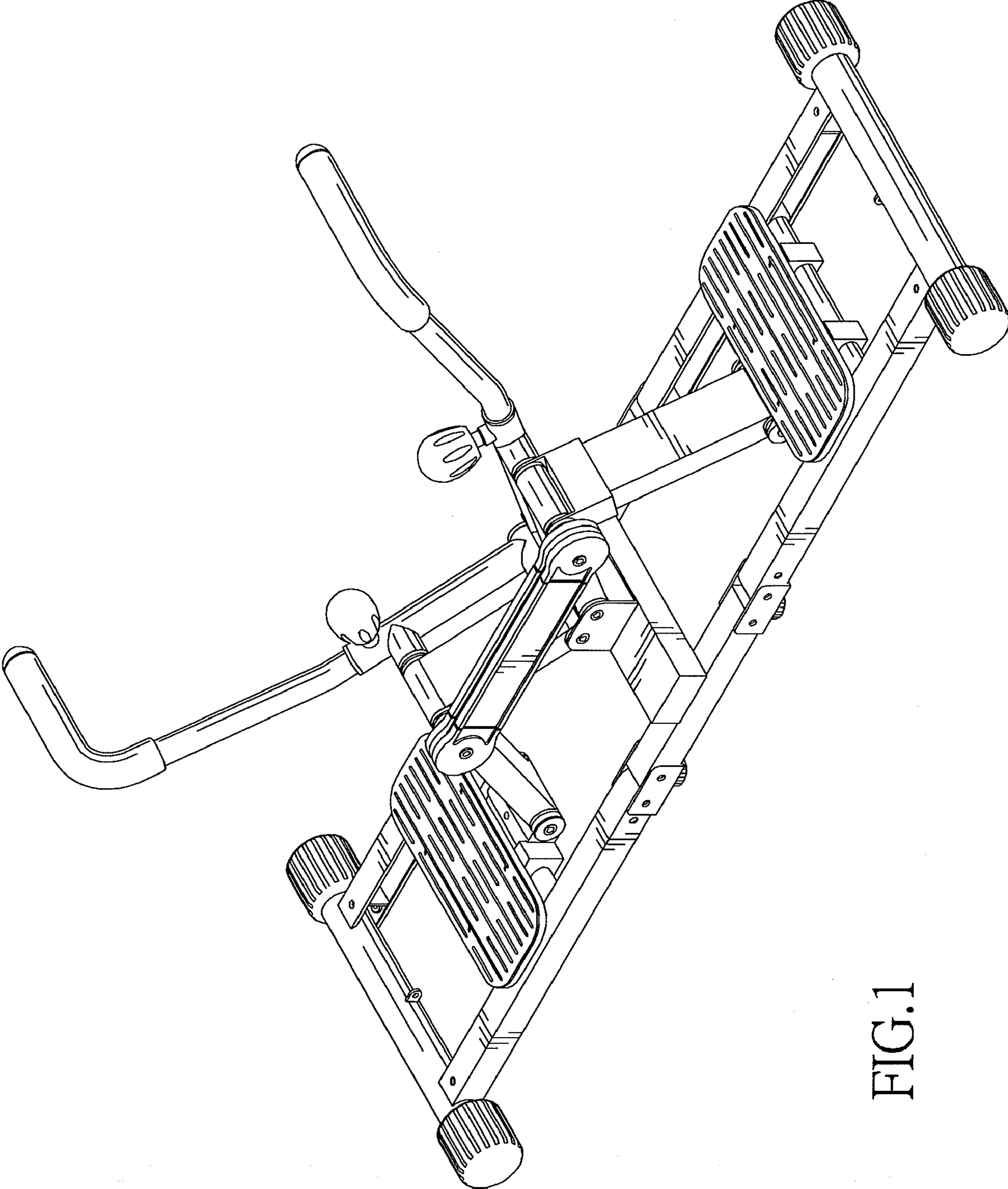


FIG.1

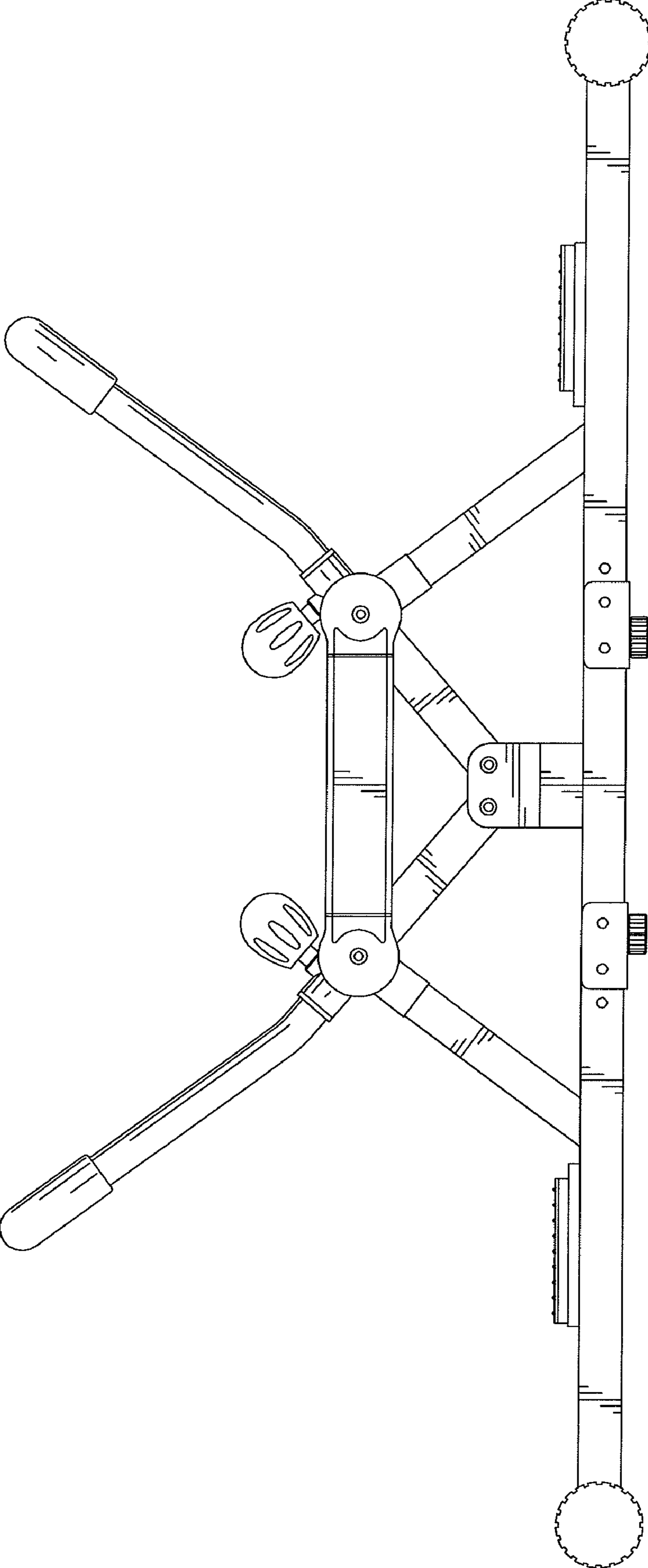


FIG.2

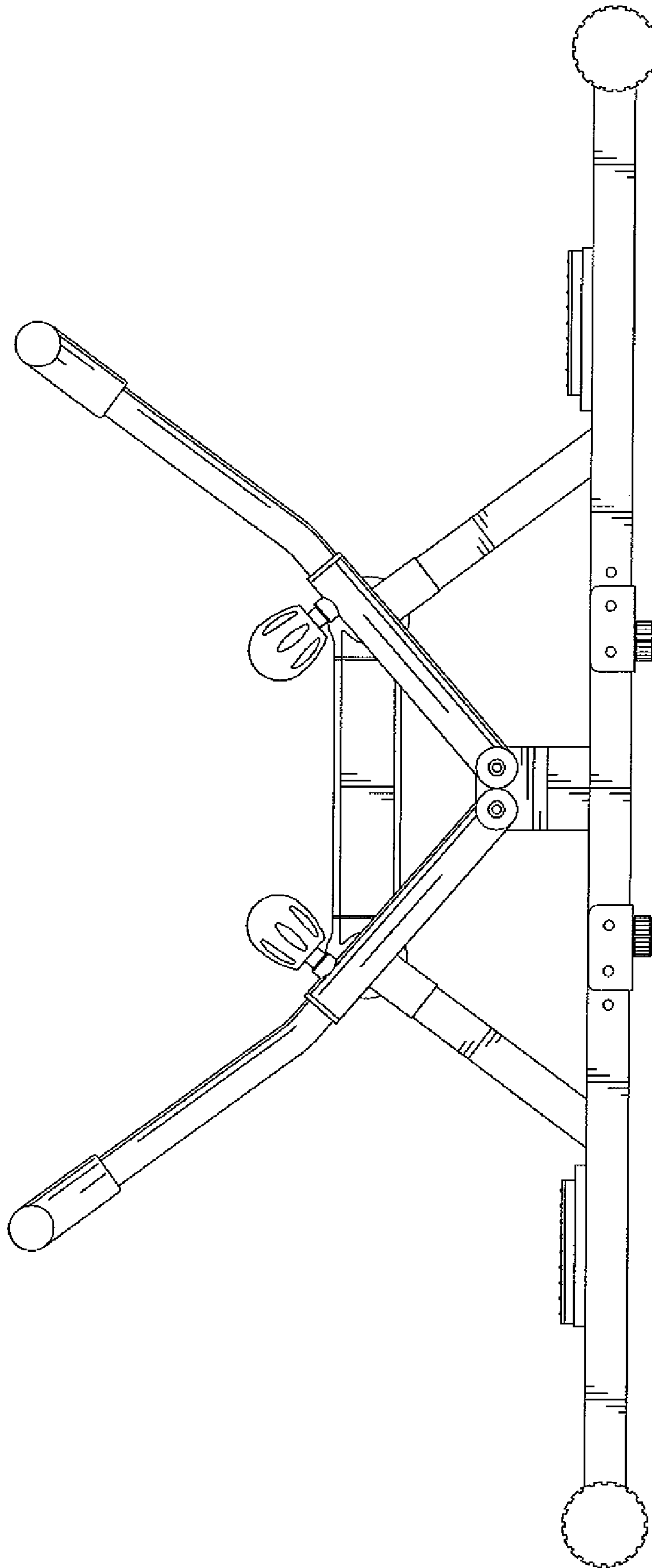


FIG.3

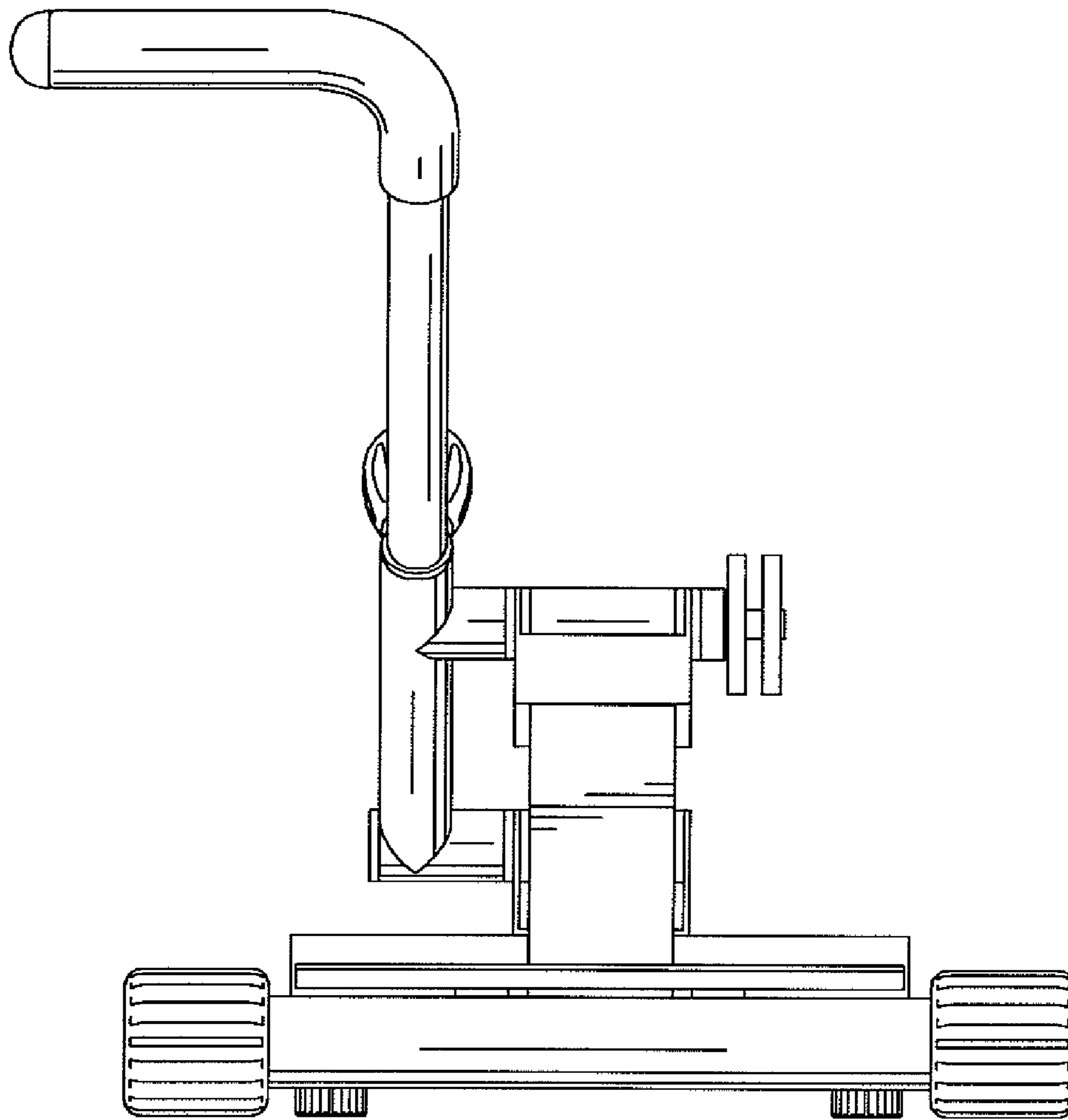


FIG.4

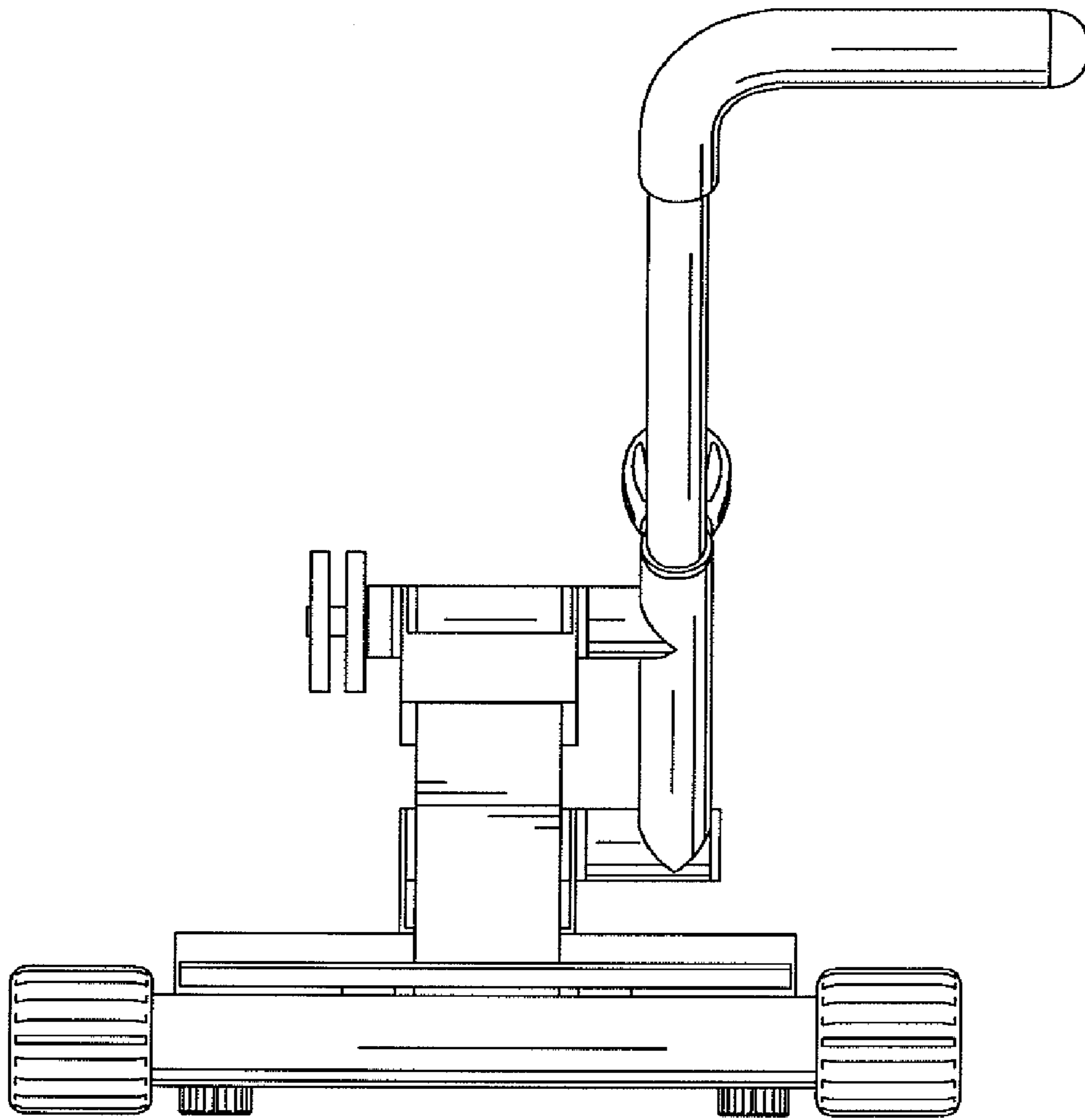


FIG.5

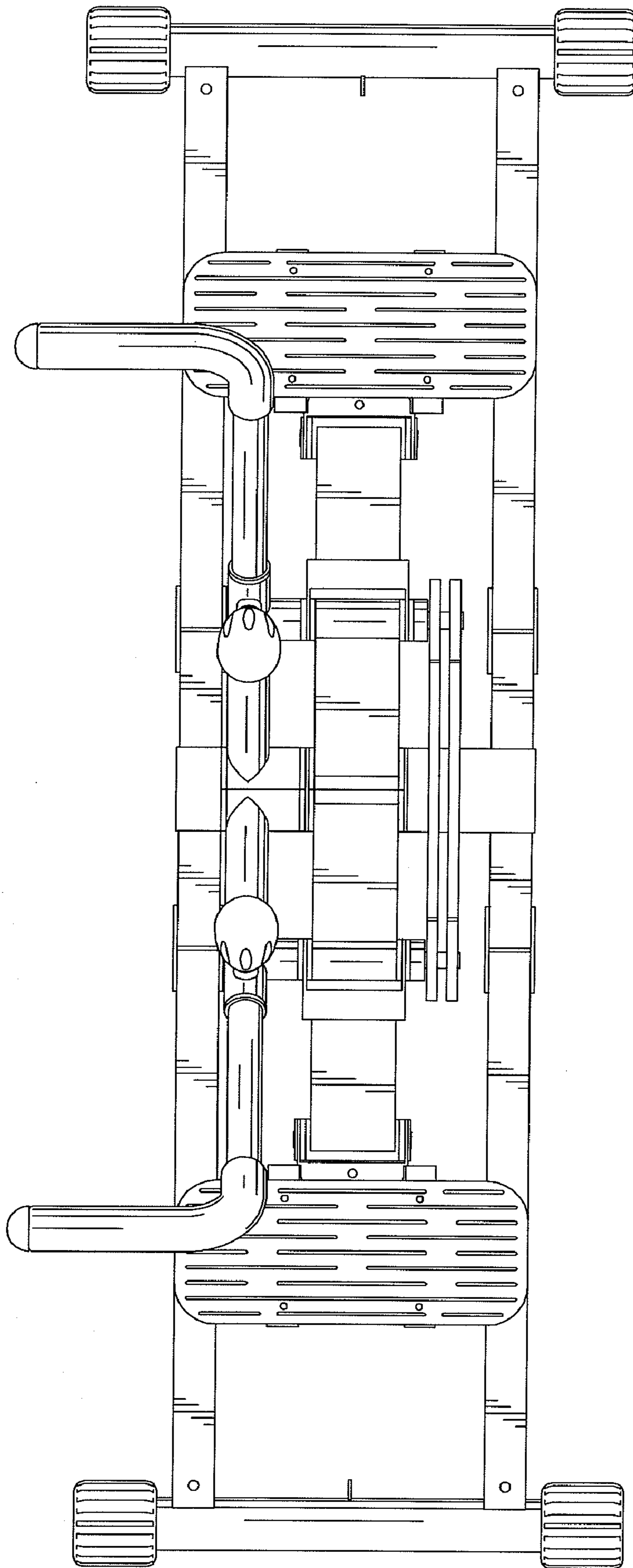


FIG.6

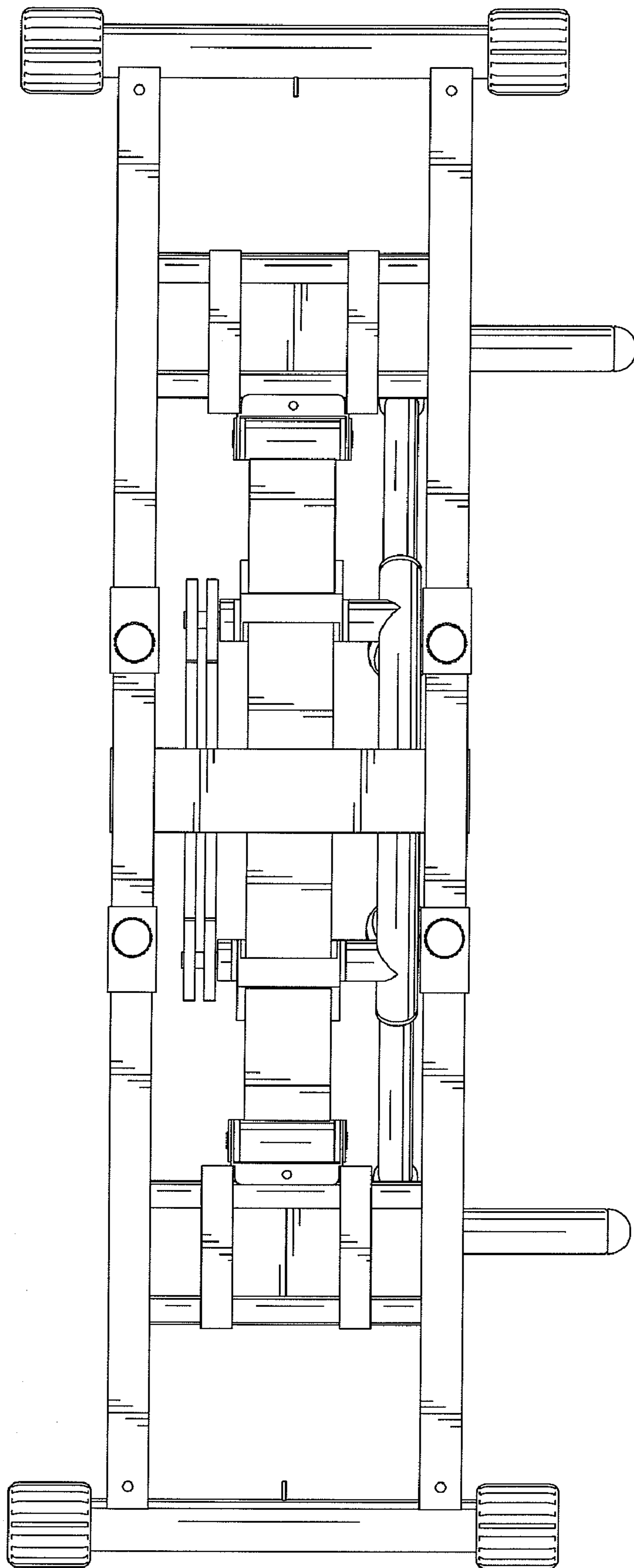


FIG. 7

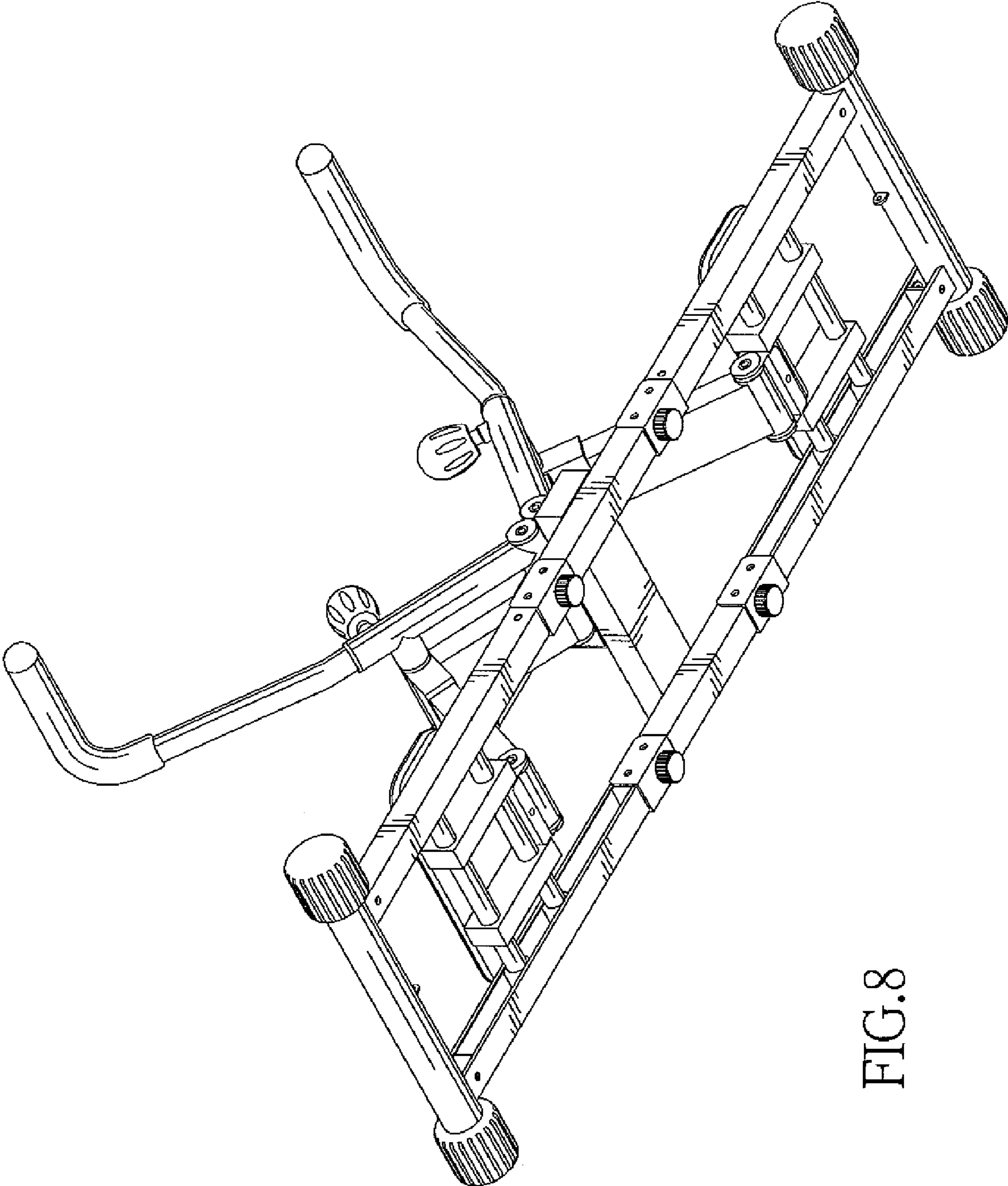


FIG.8