



US00D624133S

(12) **United States Design Patent**
Kelly et al.

(10) **Patent No.:** **US D624,133 S**

(45) **Date of Patent:** **** Sep. 21, 2010**

(54) **LIGHT UP TWIST HANDLE**

(76) Inventors: **Christopher D. Kelly**, 606 Wildwood Rd., Sellersburg, IN (US) 47172;
Christian Roos, Manosca Y Fco. Cruz Miranda Falconi 28, Quito (EC) EC1701;
Lori Forest, 1800 Dutch La. #96, Jeffersonville, IN (US) 47130

(**) Term: **14 Years**

(21) Appl. No.: **29/351,531**

(22) Filed: **Dec. 7, 2009**

(51) **LOC (9) Cl.** **21-01**

(52) **U.S. Cl.** **D21/567**

(58) **Field of Classification Search** D21/401,
D21/483, 567, 568; D26/37, 38, 43, 46,
D26/47, 48; D22/117, 118; D8/87, 97-99,
D8/102-104, 107, 300, 305, 347; 446/175,
446/219, 220, 405, 473; 362/84, 102, 186,
362/194, 208, 253, 277; 30/162, 286, 295

See application file for complete search history.

(56) **References Cited**

U.S. PATENT DOCUMENTS

D197,757 S *	3/1964	Nagamori	D8/87
4,678,450 A *	7/1987	Scolari et al.	446/405
D316,121 S *	4/1991	Alward	D21/401
5,279,513 A *	1/1994	Connelly	446/219
5,947,789 A *	9/1999	Chan	446/219
6,036,576 A *	3/2000	Colon, Jr.	446/473
D425,144 S *	5/2000	McGaffigan	D21/567
D430,228 S *	8/2000	Chu	D21/401
6,244,723 B1 *	6/2001	Talamo	362/208
D452,129 S *	12/2001	McCalla et al.	D8/107
D491,996 S *	6/2004	Rae	D22/118
D513,300 S *	12/2005	Rae	D22/118
D517,157 S *	3/2006	Rae	D22/118

7,476,141 B2 * 1/2009 Hom 446/219
2007/0270077 A1 * 11/2007 Woodhouse 446/473

* cited by examiner

Primary Examiner—Cynthia M Chin

(74) *Attorney, Agent, or Firm*—QuickPatents, Inc.; Kevin Prince

(57) **CLAIM**

What is claimed is the ornamental design for a light up twist handle, as shown and described.

DESCRIPTION

FIG. 1 is a reduced perspective view of a light up twist handle, a grip thereof illustrated in a retracted configuration, showing the new design;

FIG. 2 is an exploded perspective view thereof;

FIG. 3 is a rear elevational view thereof, the grip illustrated in the retracted configuration;

FIG. 4 is a front elevational view thereof, the grip illustrated in the retracted configuration;

FIG. 5 is a right-side elevational view thereof, the grip illustrated in the retracted configuration;

FIG. 6 is a left-side elevational view thereof, the grip illustrated in the retracted configuration;

FIG. 7 is a top plan view thereof;

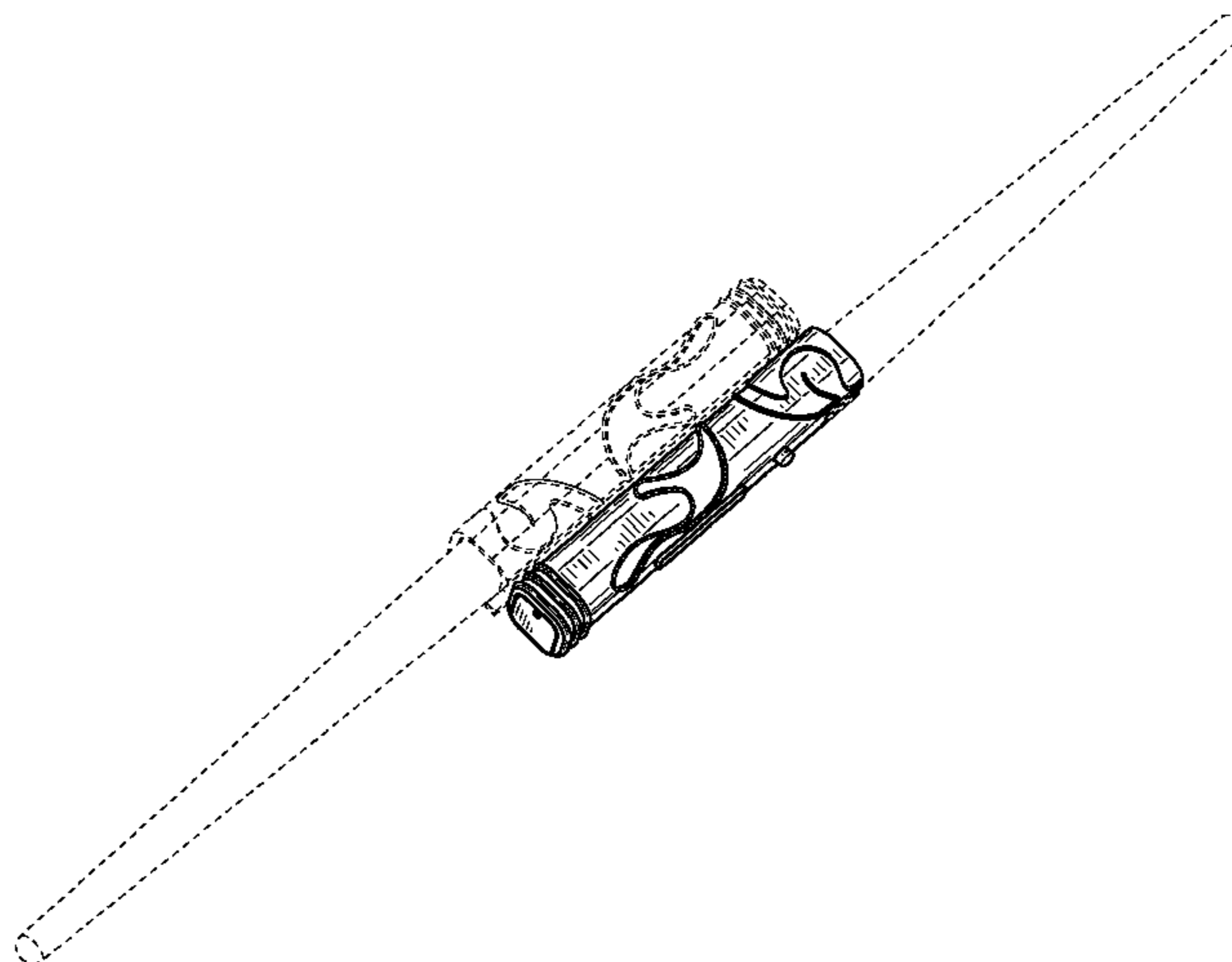
FIG. 8 is a bottom plan view thereof;

FIG. 9 is an alternate perspective view thereof, the grip illustrated in an extended configuration; and,

FIG. 10 is a right-side elevational view thereof, the grip illustrated in the extended configuration.

The broken lines showing an interchangeable sword and another mating handle in FIG. 1 are included for the purpose of illustrating the invention in use, and form no part of the claimed design. All other broken lines in the remaining figures represent portions of the design that form no part of the claim.

1 Claim, 3 Drawing Sheets



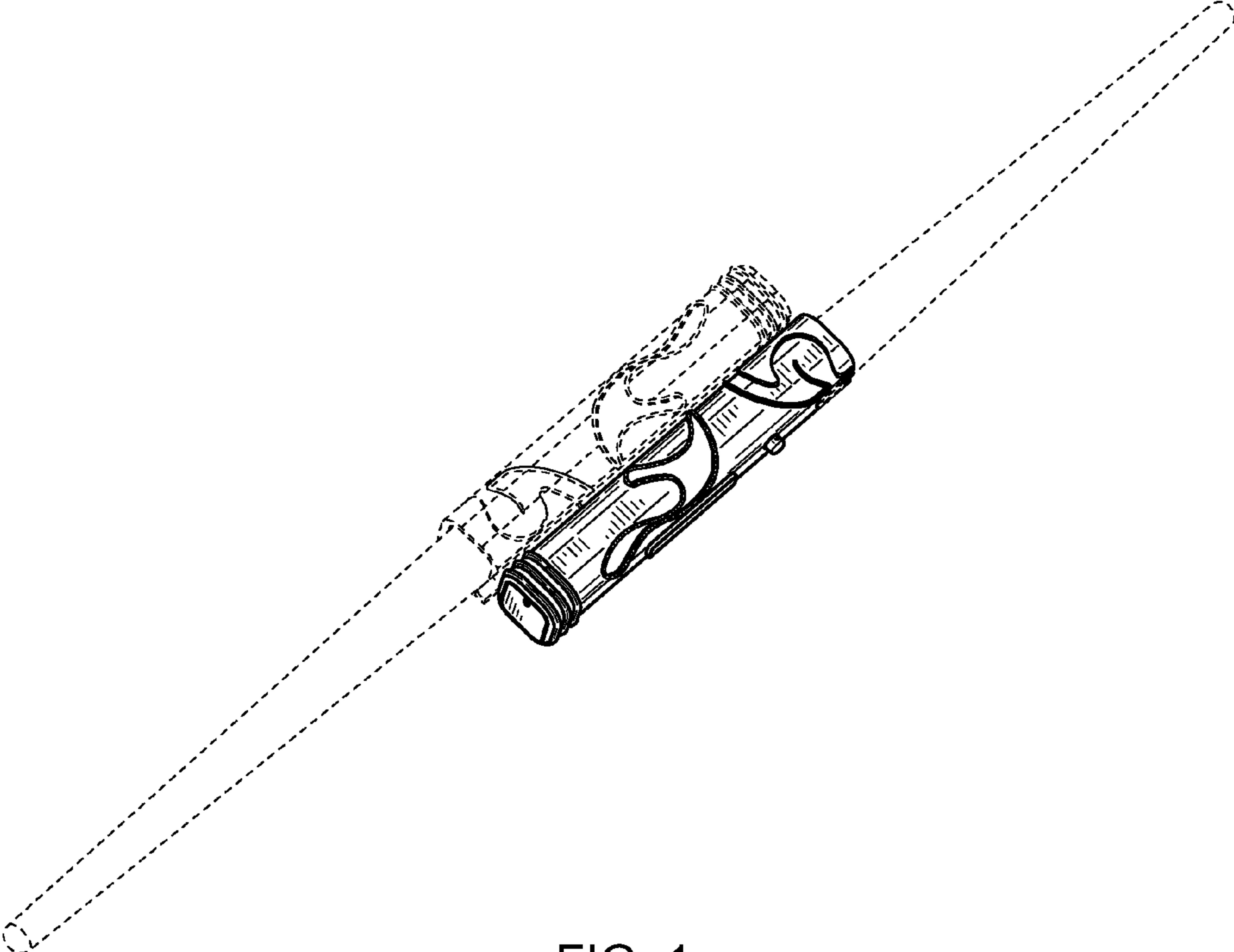


FIG. 1

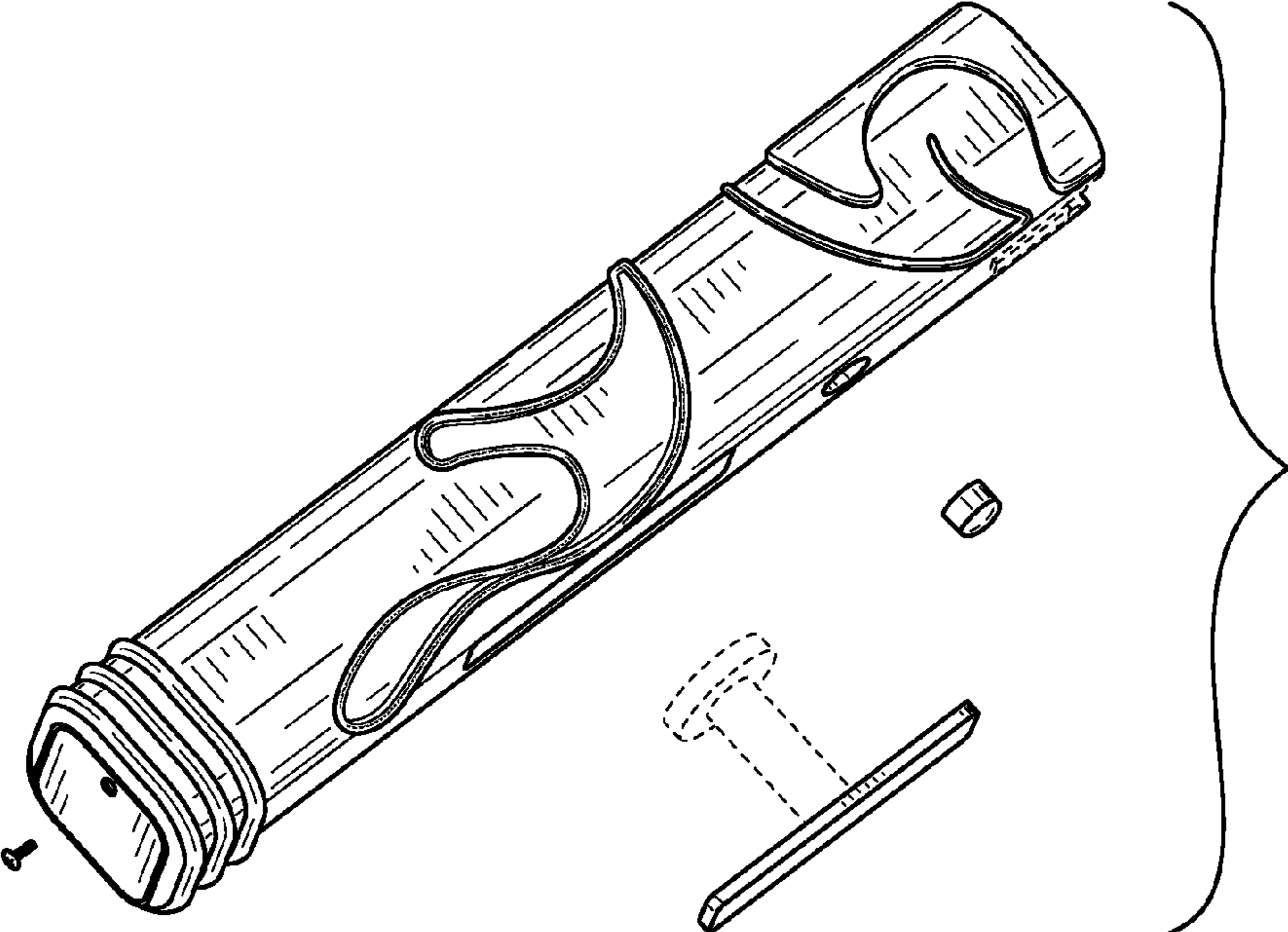


FIG. 2

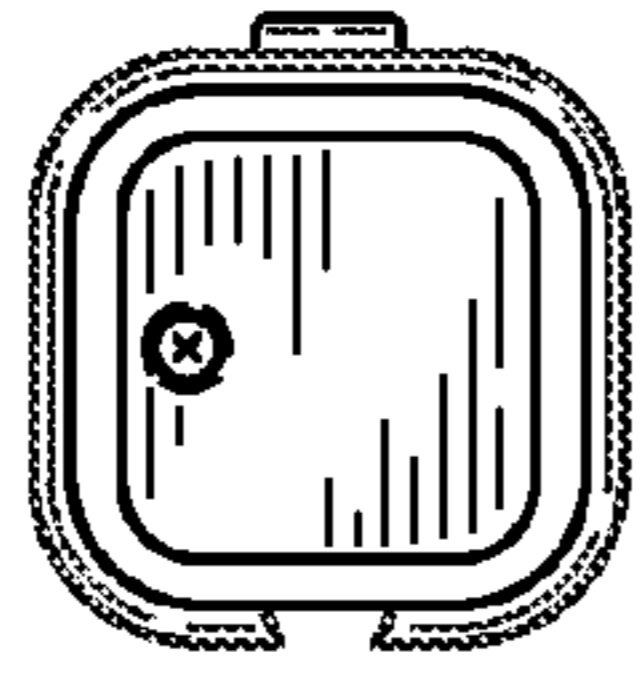


FIG. 3

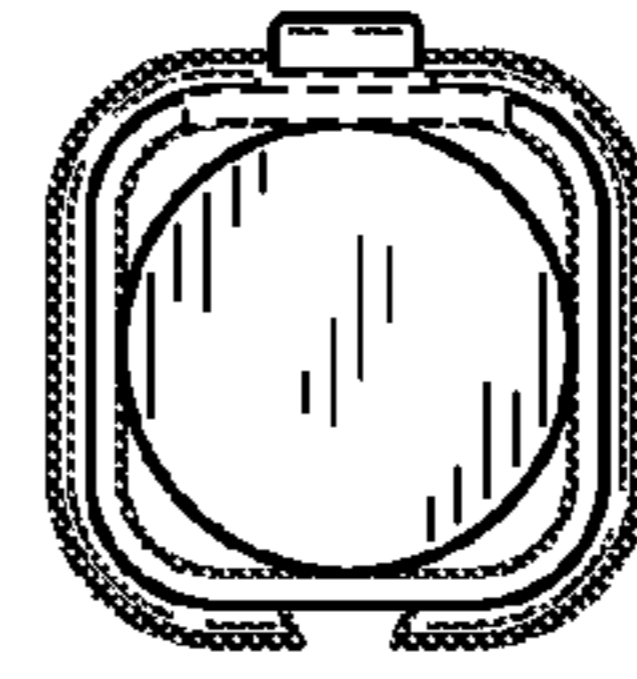


FIG. 4

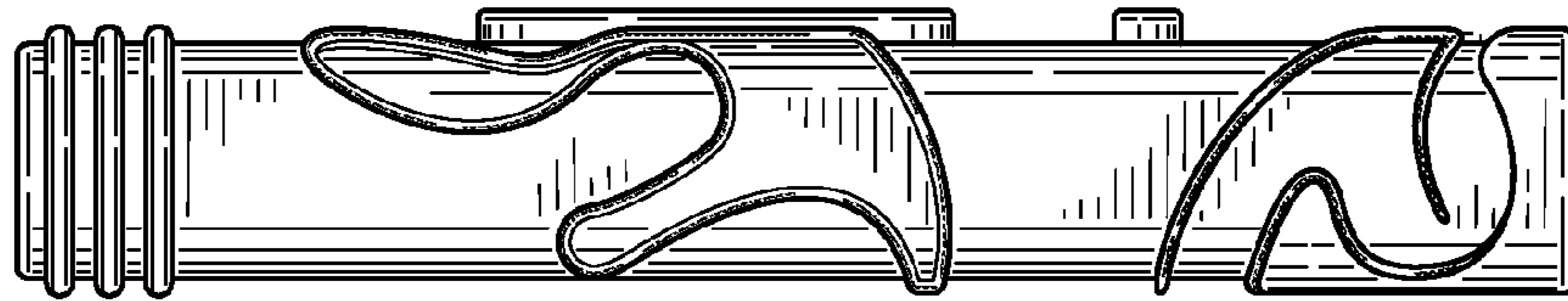


FIG. 5

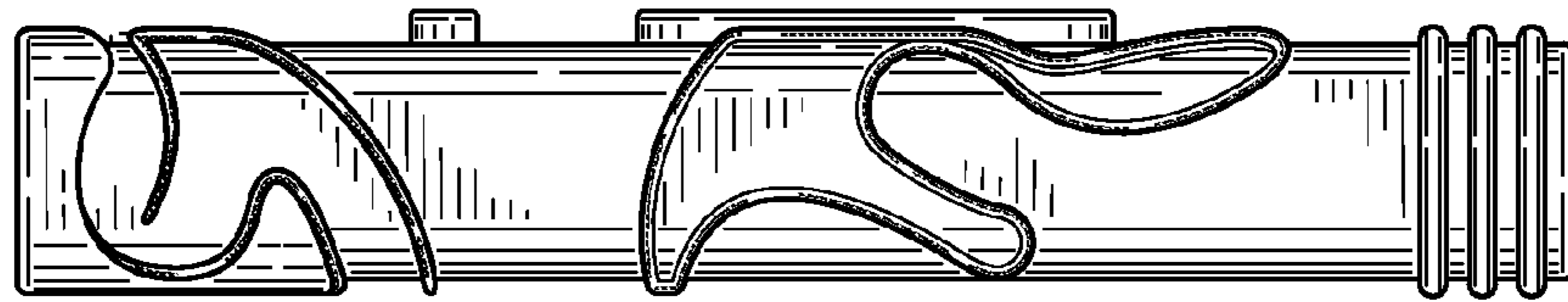


FIG. 6

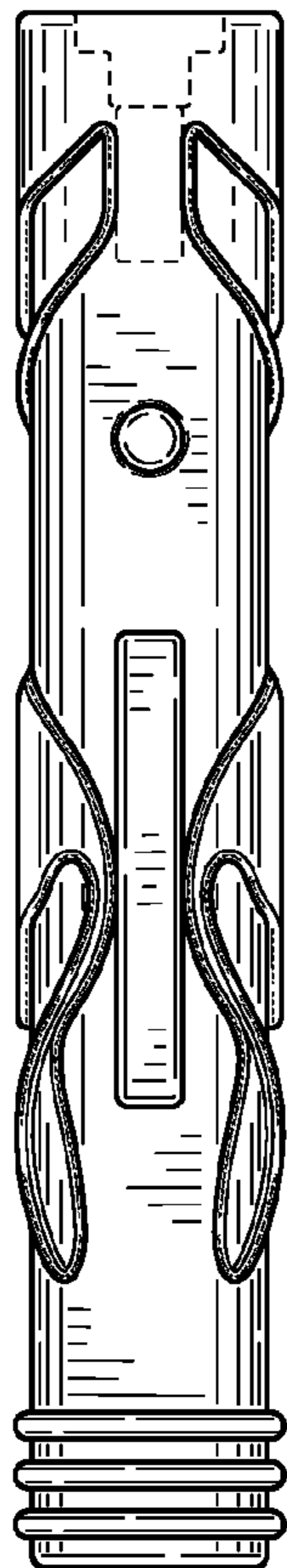


FIG. 7

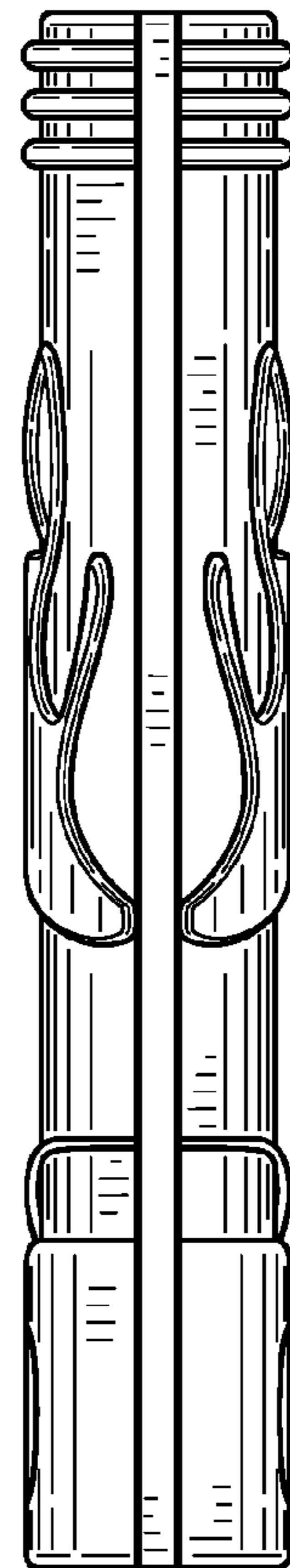


FIG. 8

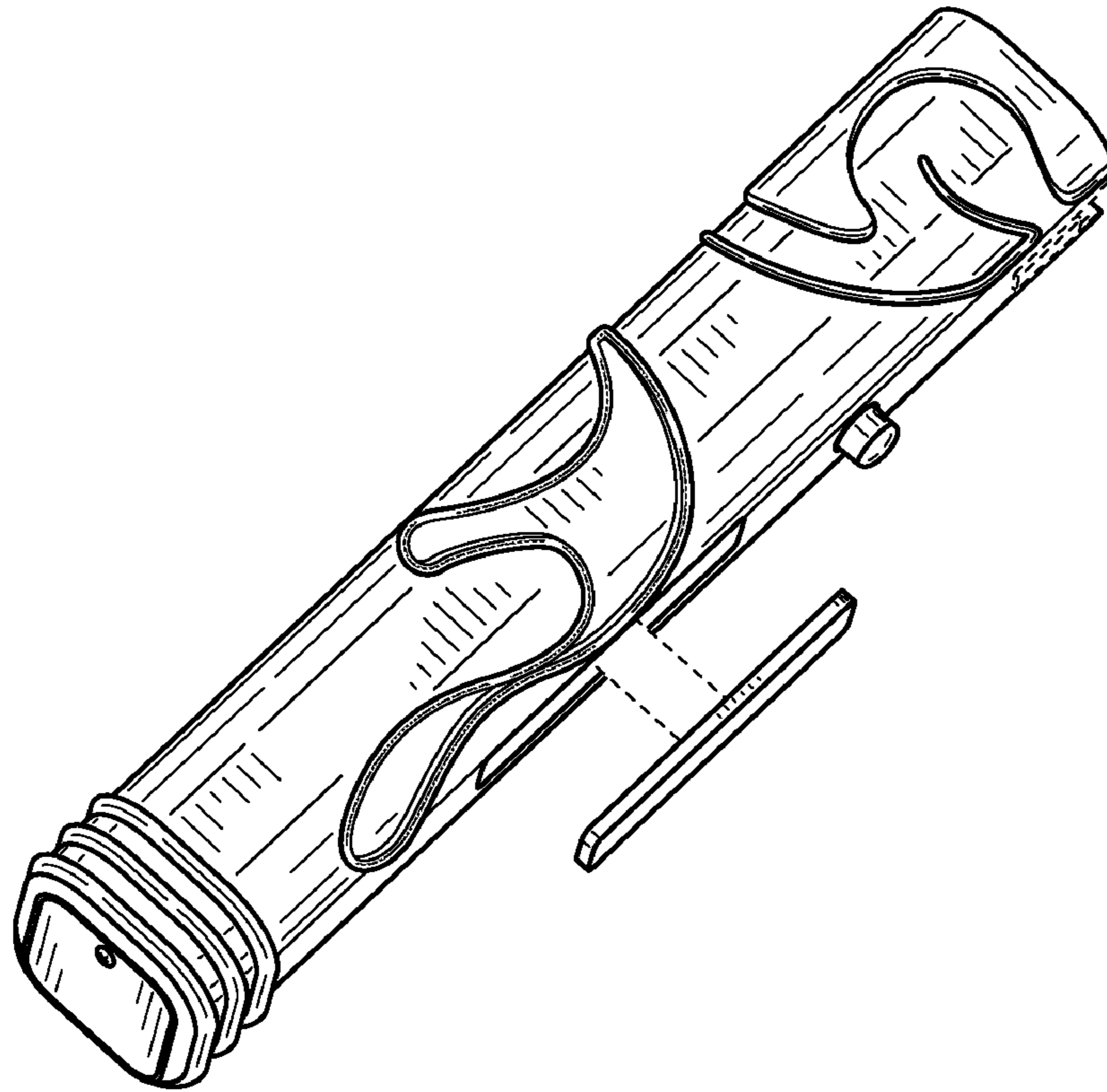


FIG. 9

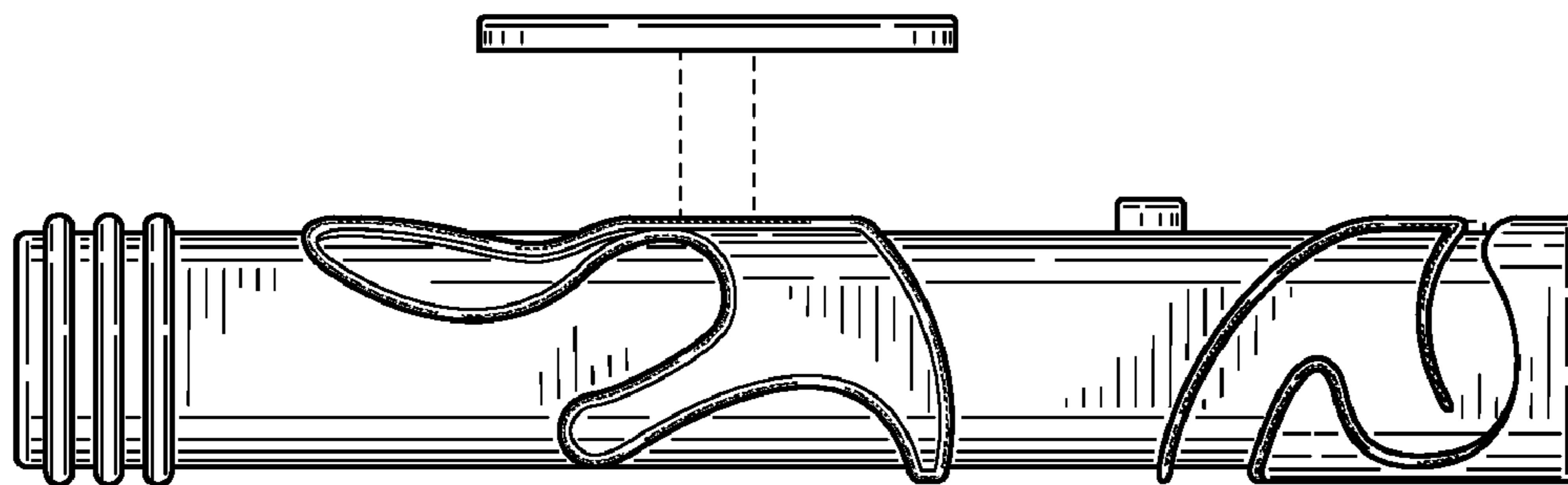


FIG. 10