



US00D624132S

(12) **United States Design Patent**  
**Cheng**

(10) **Patent No.:** **US D624,132 S**

(45) **Date of Patent:** **\*\* Sep. 21, 2010**

(54) **ALIEN UFO SAUCER CONTROLLER**

(76) Inventor: **Randy Cheng**, 1005 E. Les Tunas Dr.,  
#777, San Gabriel, CA (US) 91776

(\*\*) Term: **14 Years**

(21) Appl. No.: **29/354,400**

(22) Filed: **Jan. 22, 2010**

(51) **LOC (9) Cl.** ..... **21-01**

(52) **U.S. Cl.** ..... **D21/453; D21/451; D21/566**

(58) **Field of Classification Search** ..... D21/324,  
D21/328-333, 436-454, 566; D12/325;  
D3/211, 271.1, 271.11; D6/303, 351, 358,  
D6/388, 634, 434, 450, 539; D7/506, 539,  
D7/599, 604, 613, 628; D9/672, 673, 502,  
D9/420; D10/12, 33, 54; D11/2, 30, 44,  
D11/48, 72, 79-81, 113, 125, 163; D13/168;  
D14/388, 398-401, 403, 412, 413, 417, 478,  
D14/480, 498, 508, 509, 189, 200, 203.2,  
D14/203.6, 207, 216, 218, 299, 356, 217;  
D19/75, 77, 80, 82, 94, 95, 97; D23/336,  
D23/349, 352, 356, 362, 367; D24/208,  
D24/211; D26/52, 57, 73, 94, 97, 104, 110;  
D27/106, 121, 148, 188-192; D28/67, 73,  
D28/79, 82, 87, 88, 91.1; D30/160; D99/34,  
D99/37, 42; 446/34-68, 454-456, 225; 244/12.2,  
244/23 C; 200/331; 463/39, 46; 398/106,  
398/112, 114

See application file for complete search history.

(56) **References Cited**

**U.S. PATENT DOCUMENTS**

D197,748 S \* 3/1964 Postelson ..... D12/325  
3,243,146 A \* 3/1966 Clover ..... 244/23 C  
4,214,720 A \* 7/1980 DeSautel ..... 244/12.2  
4,804,156 A \* 2/1989 Harmon ..... 244/23 C

D317,335 S \* 6/1991 Lovik ..... D21/440  
5,080,625 A \* 1/1992 Huffhines ..... 446/225  
D331,060 S \* 11/1992 Emmons et al. .... D14/218  
D391,943 S \* 3/1998 Han ..... D14/356  
D417,452 S \* 12/1999 Wu ..... D14/192  
D427,993 S \* 7/2000 Seal ..... D14/218  
D603,457 S \* 11/2009 Julskjer et al. .... D21/324  
2005/0230525 A1 \* 10/2005 Paterro ..... 244/23 B

**FOREIGN PATENT DOCUMENTS**

JP D044301-0006 \* 8/1998  
JP D1283174 \* 10/2006

\* cited by examiner

*Primary Examiner*—Catherine Tuttle  
(74) *Attorney, Agent, or Firm*—Cislo & Thomas, LLP

(57) **CLAIM**

I claim the ornamental design for an alien UFO saucer controller, as shown and described.

**DESCRIPTION**

FIG. 1 is a perspective view of my alien UFO saucer controller;

FIG. 2 is a top view thereof;

FIG. 3 is a rear view thereof;

FIG. 4 is a left side view thereof;

FIG. 5 is a right side view thereof;

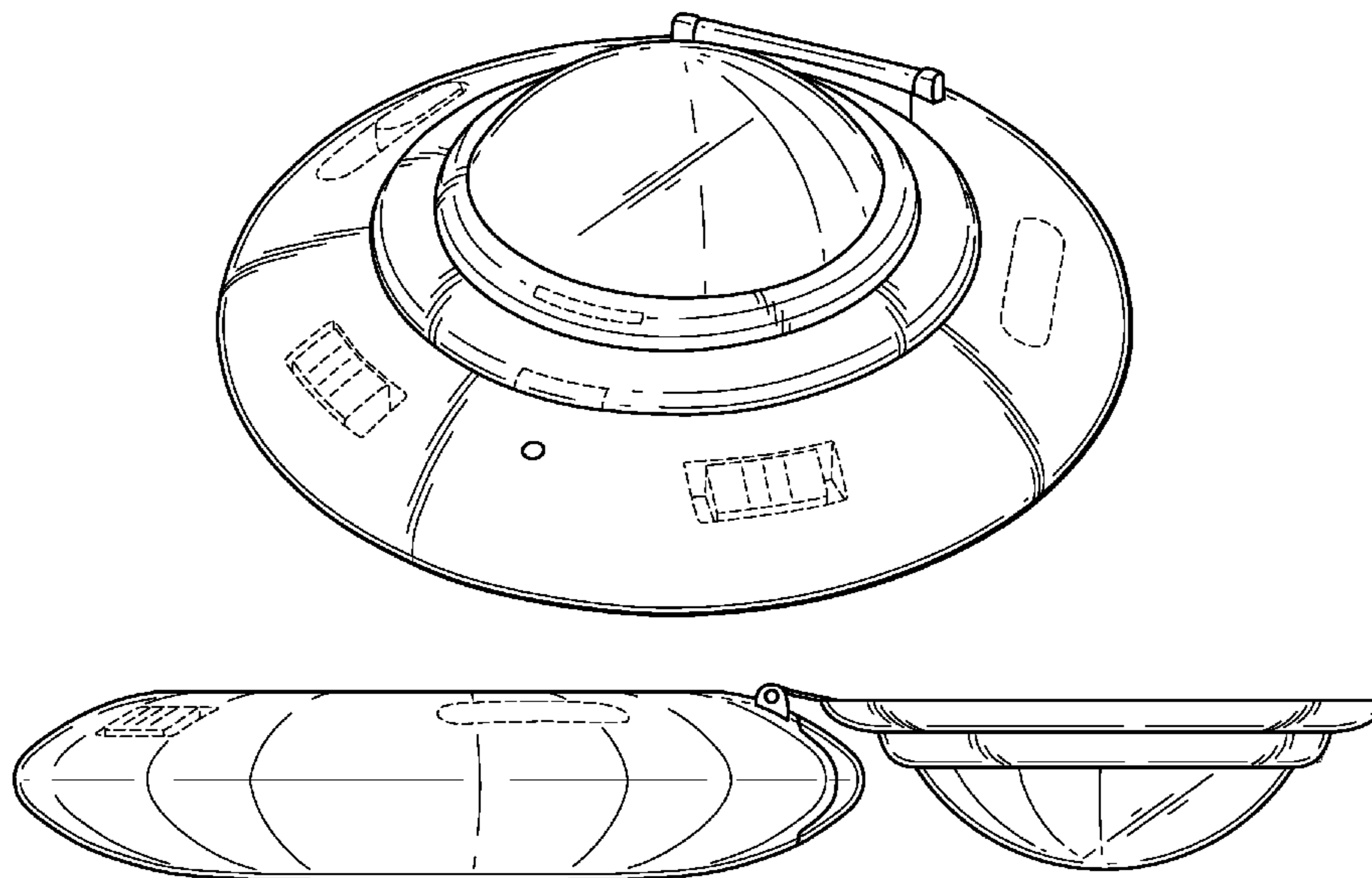
FIG. 6 is a front view thereof;

FIG. 7 is a bottom view thereof; and,

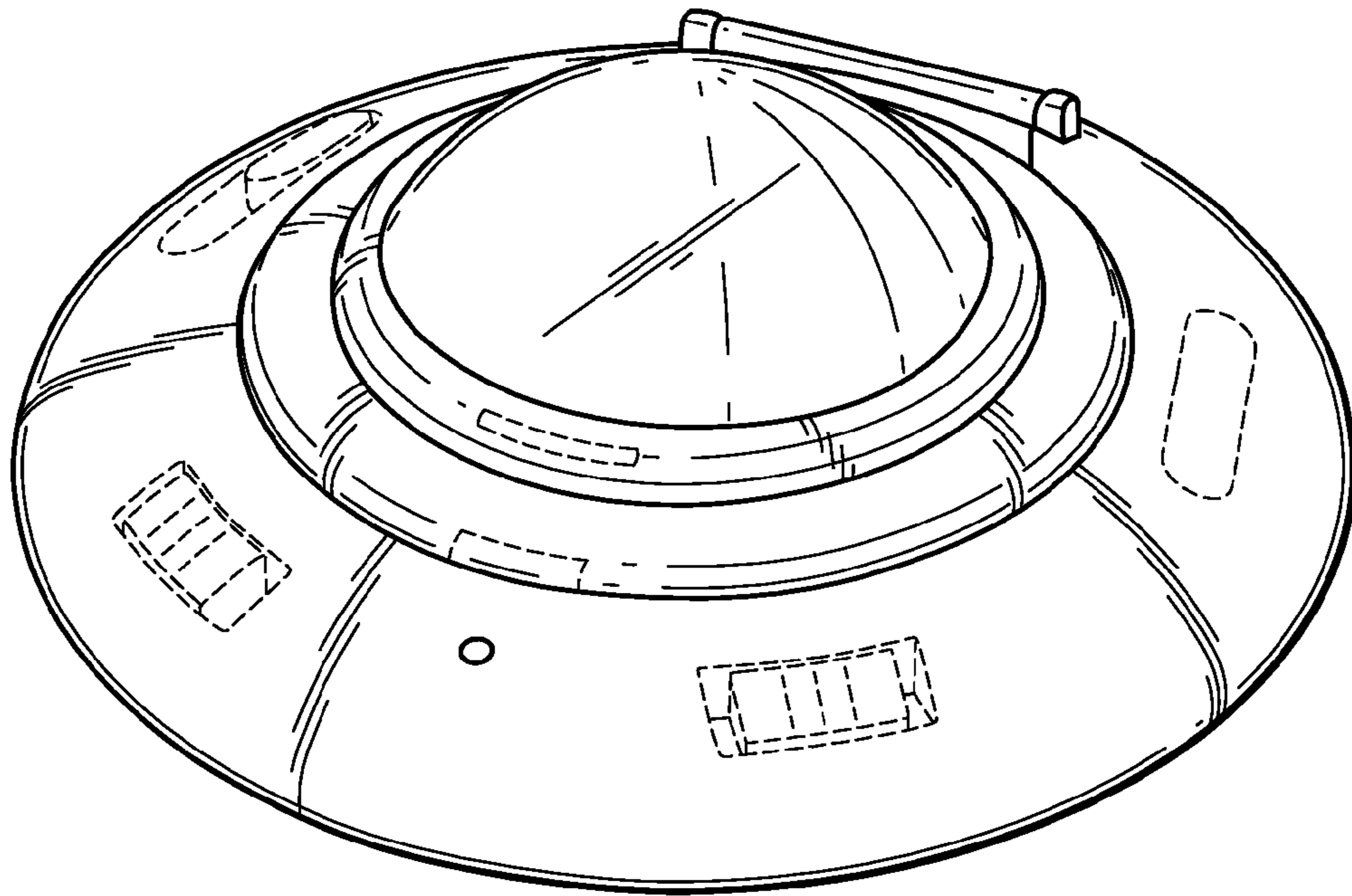
FIG. 8 is a right side view of my alien UFO saucer controller in its open configuration.

The broken lines are included for the purpose of illustrating elements of the alien UFO saucer controller that form no part of the claimed design.

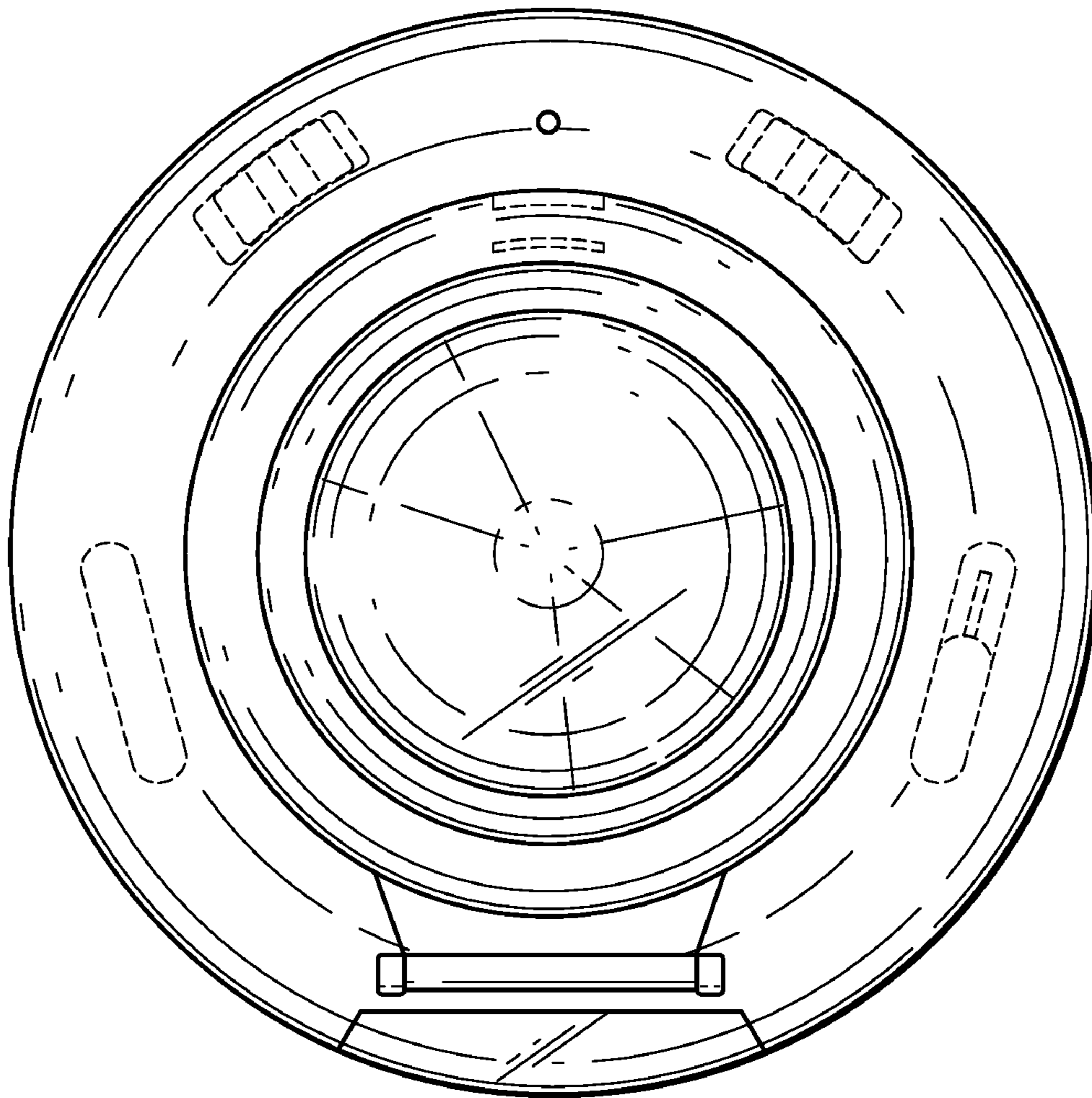
**1 Claim, 5 Drawing Sheets**



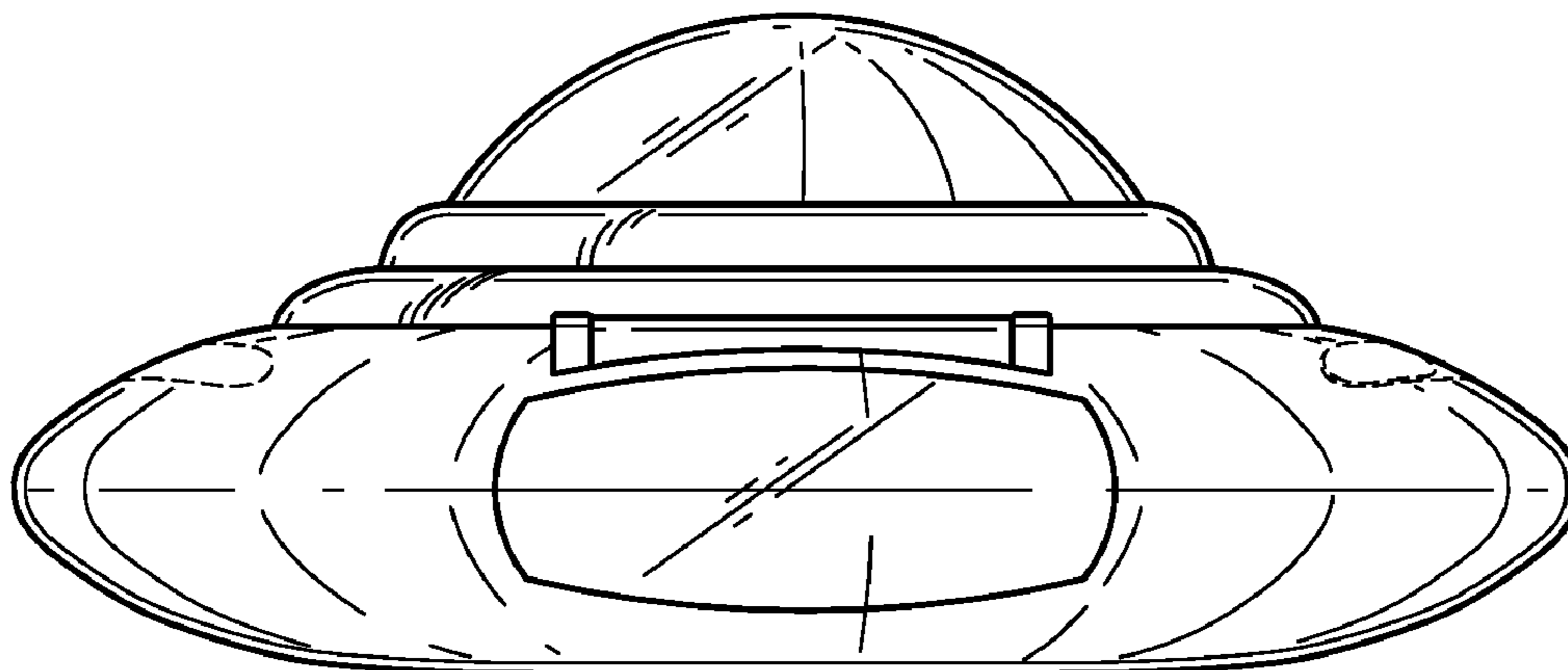
**FIG. 1**



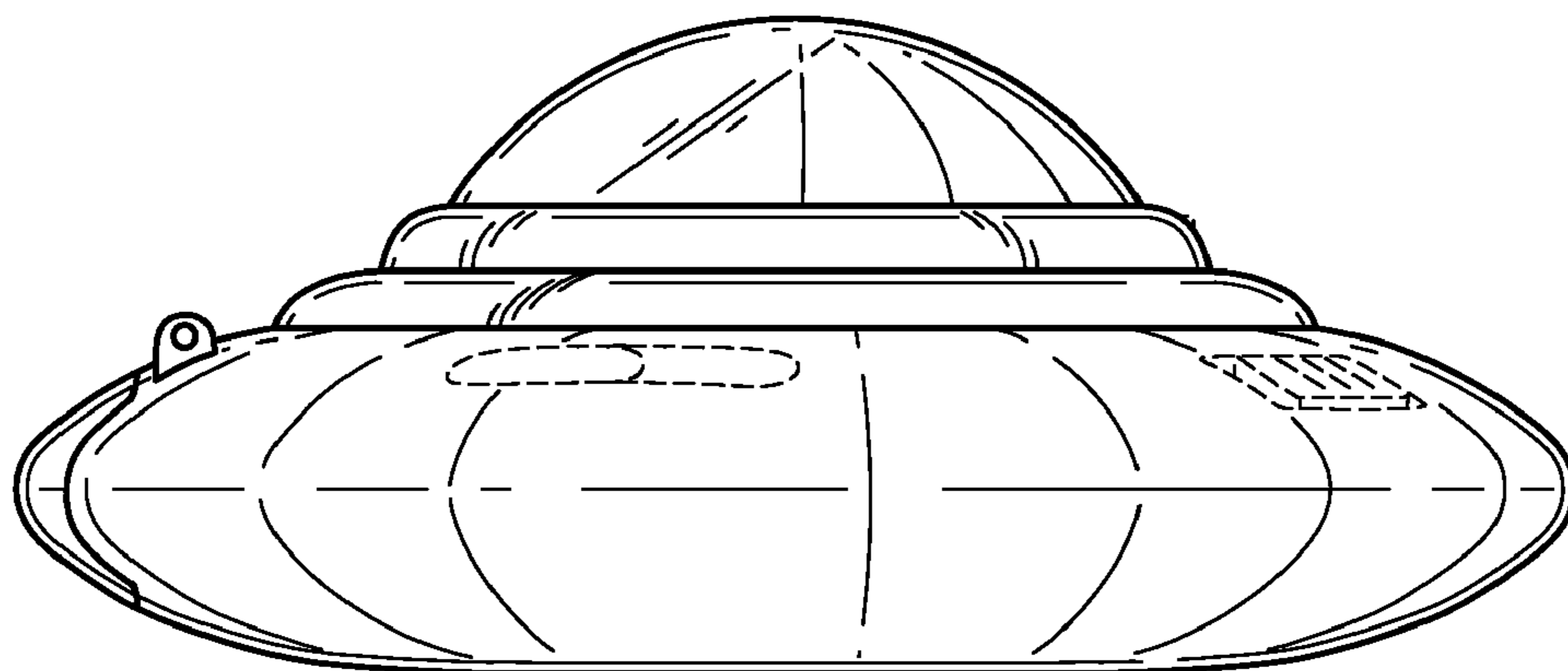
**FIG. 2**



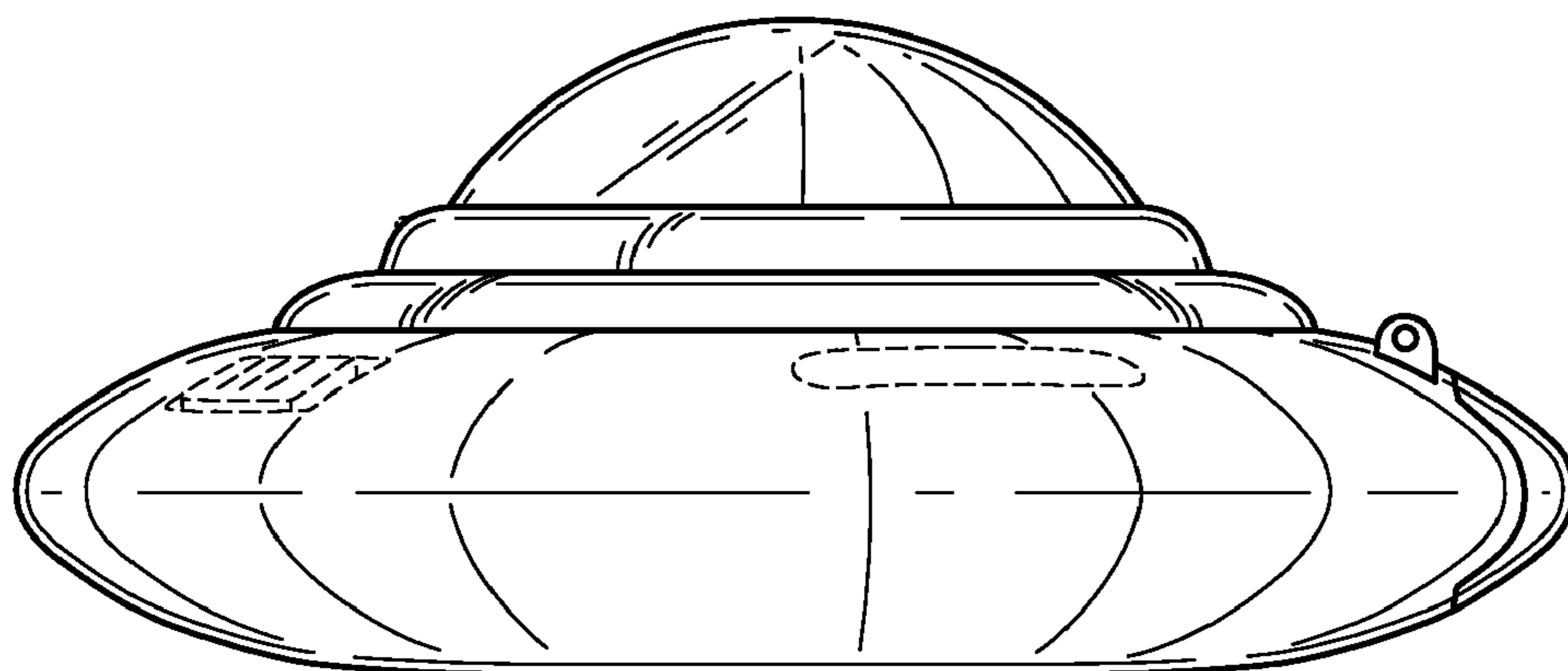
**FIG. 3**



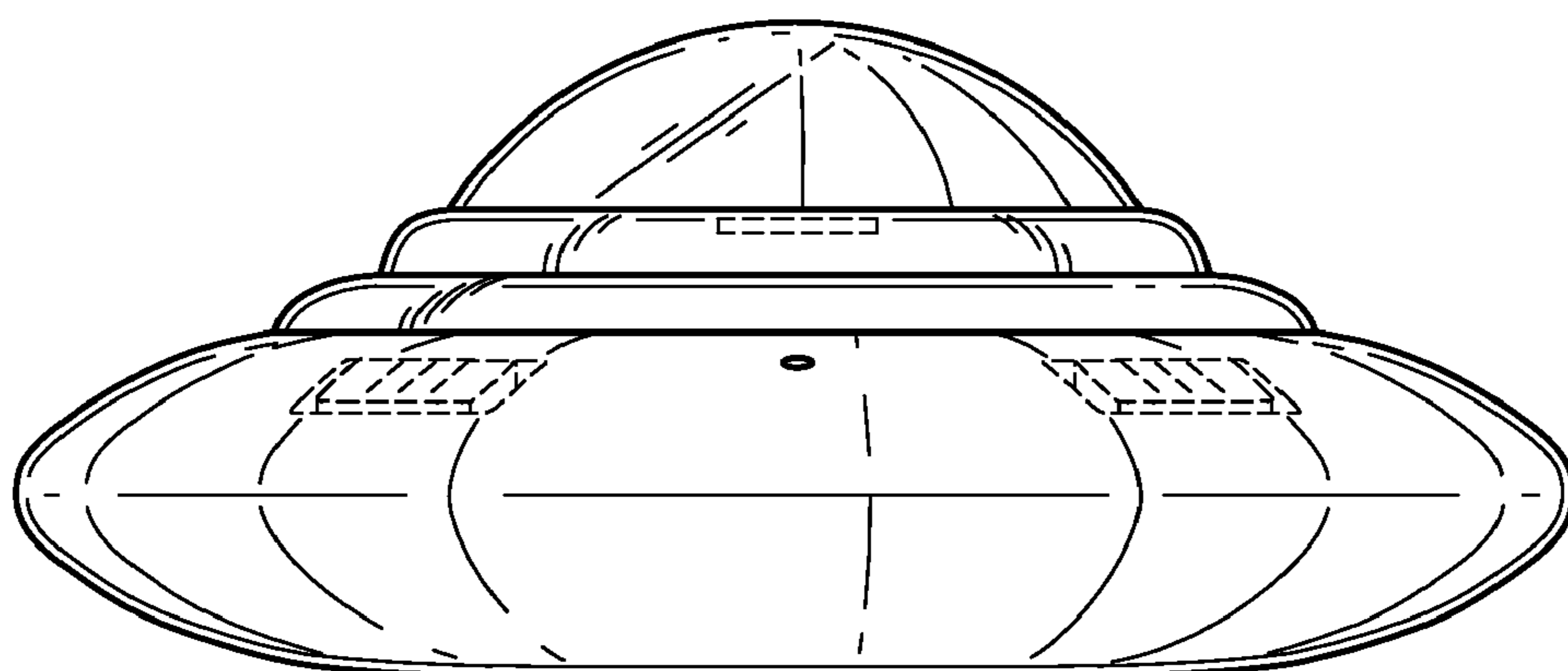
**FIG. 4**



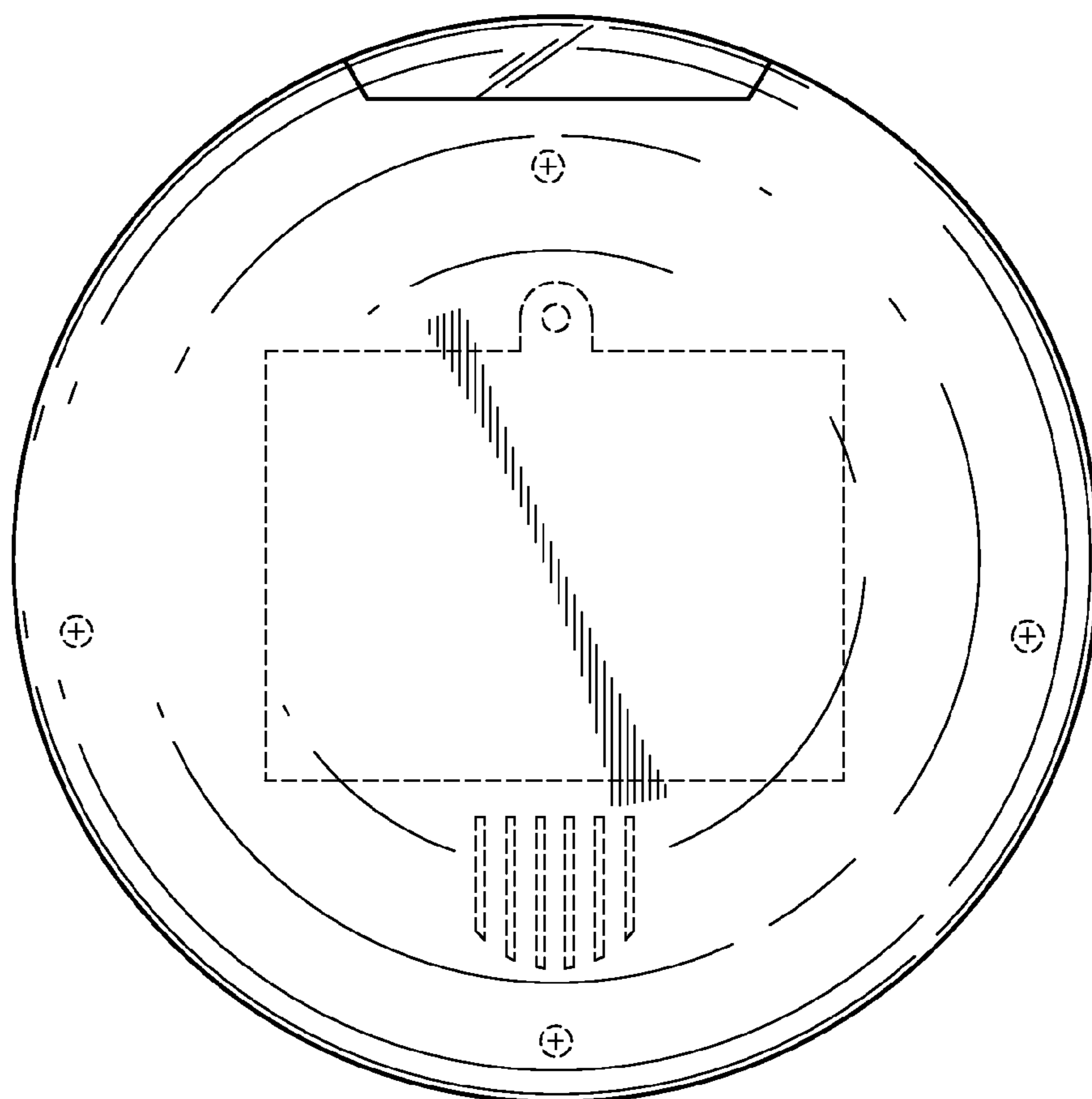
**FIG. 5**

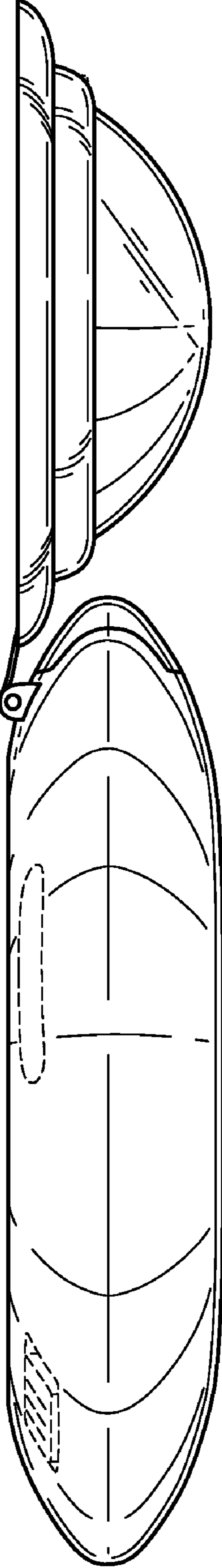


**FIG. 6**



**FIG. 7**





**FIG. 8**