



US00D624129S

(12) **United States Design Patent**  
**Lim et al.**

(10) **Patent No.:** **US D624,129 S**  
(45) **Date of Patent:** **\*\* Sep. 21, 2010**

(54) **PORTABLE GAME DEVICE COVER**

(75) Inventors: **Wai-Loong Lim**, San Francisco, CA (US); **George H. F. Schnakenberg, III**, San Francisco, CA (US); **Cendru Engstrom**, Mountain View, CA (US); **Lee Guinchard**, Mountain View, CA (US); **Stephen N. Withers**, Mountain View, CA (US)

(73) Assignee: **Activision Publishing, Inc.**, Santa Monica, CA (US)

(\*\*) Term: **14 Years**

(21) Appl. No.: **29/339,636**

(22) Filed: **Jul. 2, 2009**

(51) **LOC (9) Cl.** ..... **21-01**

(52) **U.S. Cl.** ..... **D21/333**

(58) **Field of Classification Search** ..... D21/324–333, D21/385, 369; D3/218; 273/148 B; 345/156–161; 463/1, 29–35, 46, 47; D14/432, 454, 496  
See application file for complete search history.

(56) **References Cited**

**U.S. PATENT DOCUMENTS**

5,645,277 A \* 7/1997 Cheng ..... 273/148 B  
D461,850 S \* 8/2002 Hussaini et al. .... D21/333  
D494,634 S \* 8/2004 Soga ..... D21/333

RE39,409 E \* 11/2006 Sternberg et al. .... 273/148 B  
7,193,165 B2 \* 3/2007 Kawanobe et al. .... 200/5 R  
D555,667 S \* 11/2007 Hussaini et al. .... D14/496  
D574,383 S \* 8/2008 Maruyama et al. .... D14/434  
D587,695 S \* 3/2009 Leng et al. .... D14/240  
7,499,284 B2 \* 3/2009 Kawanobe et al. .... 361/752  
D598,502 S \* 8/2009 Bonnaud ..... D21/333  
2008/0268963 A1 \* 10/2008 Deutchman ..... 463/47

\* cited by examiner

*Primary Examiner*—Prabhakar Deshmukh

(74) *Attorney, Agent, or Firm*—Klein, O’Neill & Singh, LLP

(57) **CLAIM**

The ornamental design for a portable game device cover, as shown and described.

**DESCRIPTION**

FIG. 1 is a front perspective view of a first embodiment of a portable game device cover, embodying our new design;

FIG. 2 is a top plan view thereof;

FIG. 3 is a front plan view thereof;

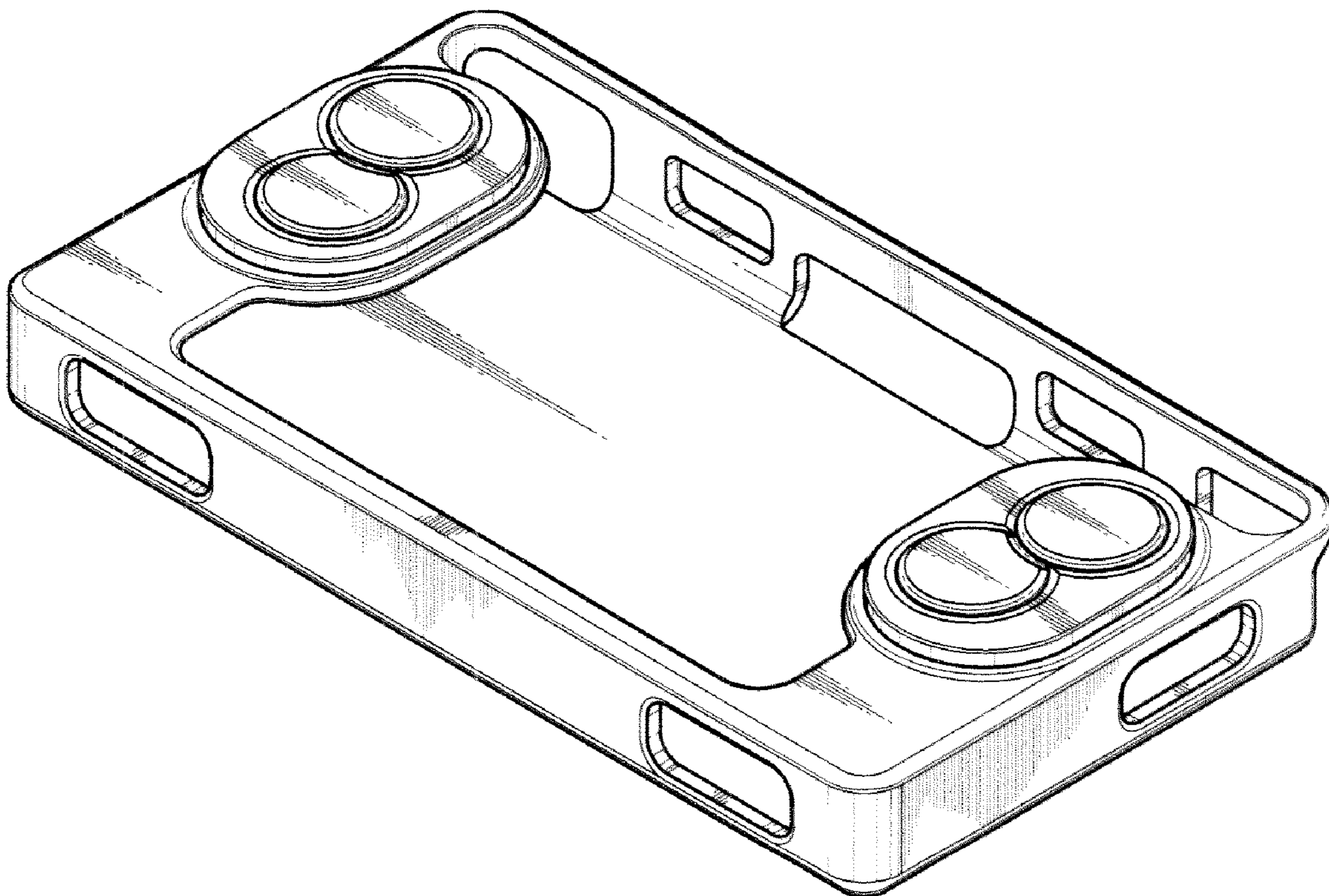
FIG. 4 is a back plan view thereof, with the opposing side being a mirror image;

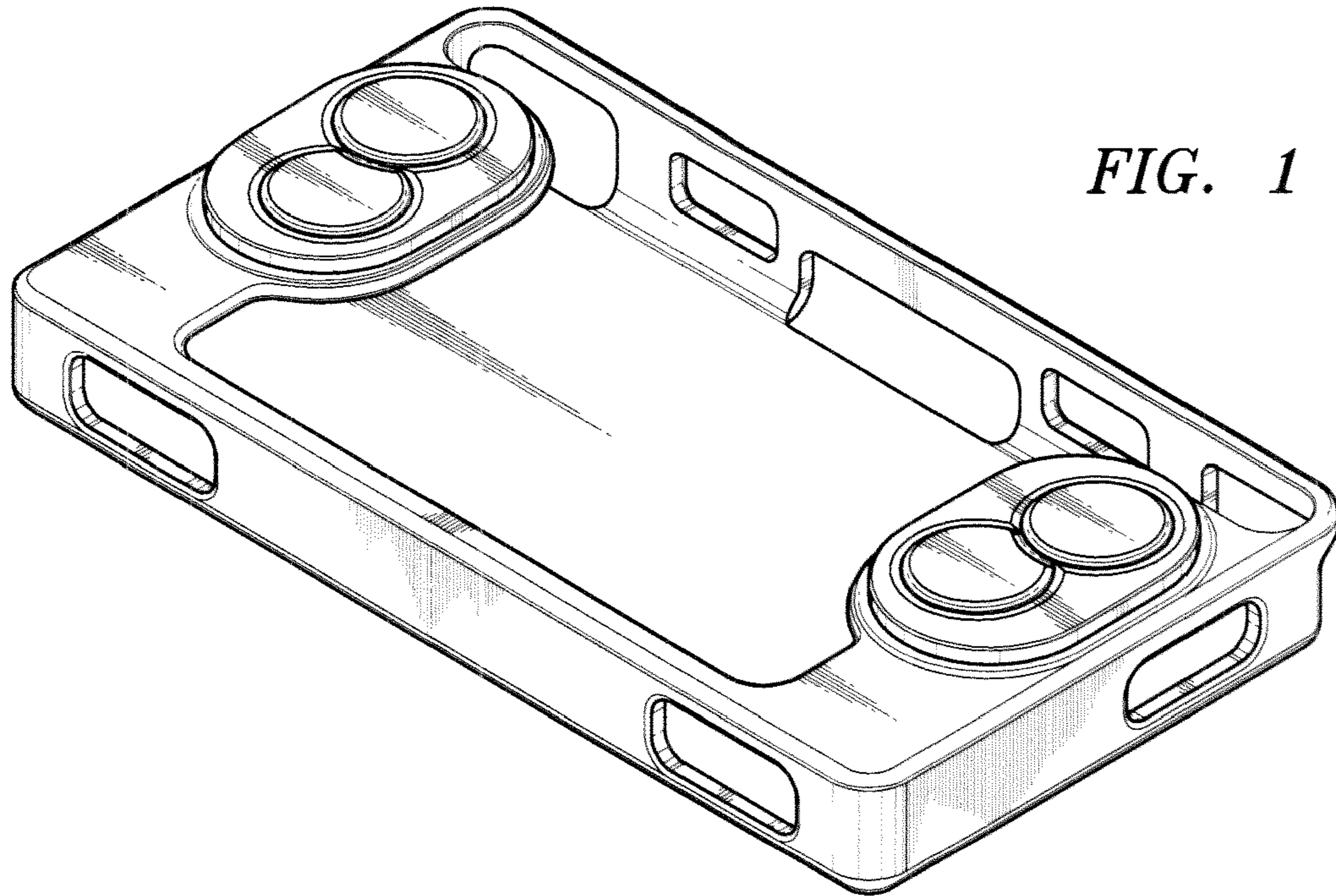
FIG. 5 is a right side plan view thereof;

FIG. 6 is a left side plan view thereof; and,

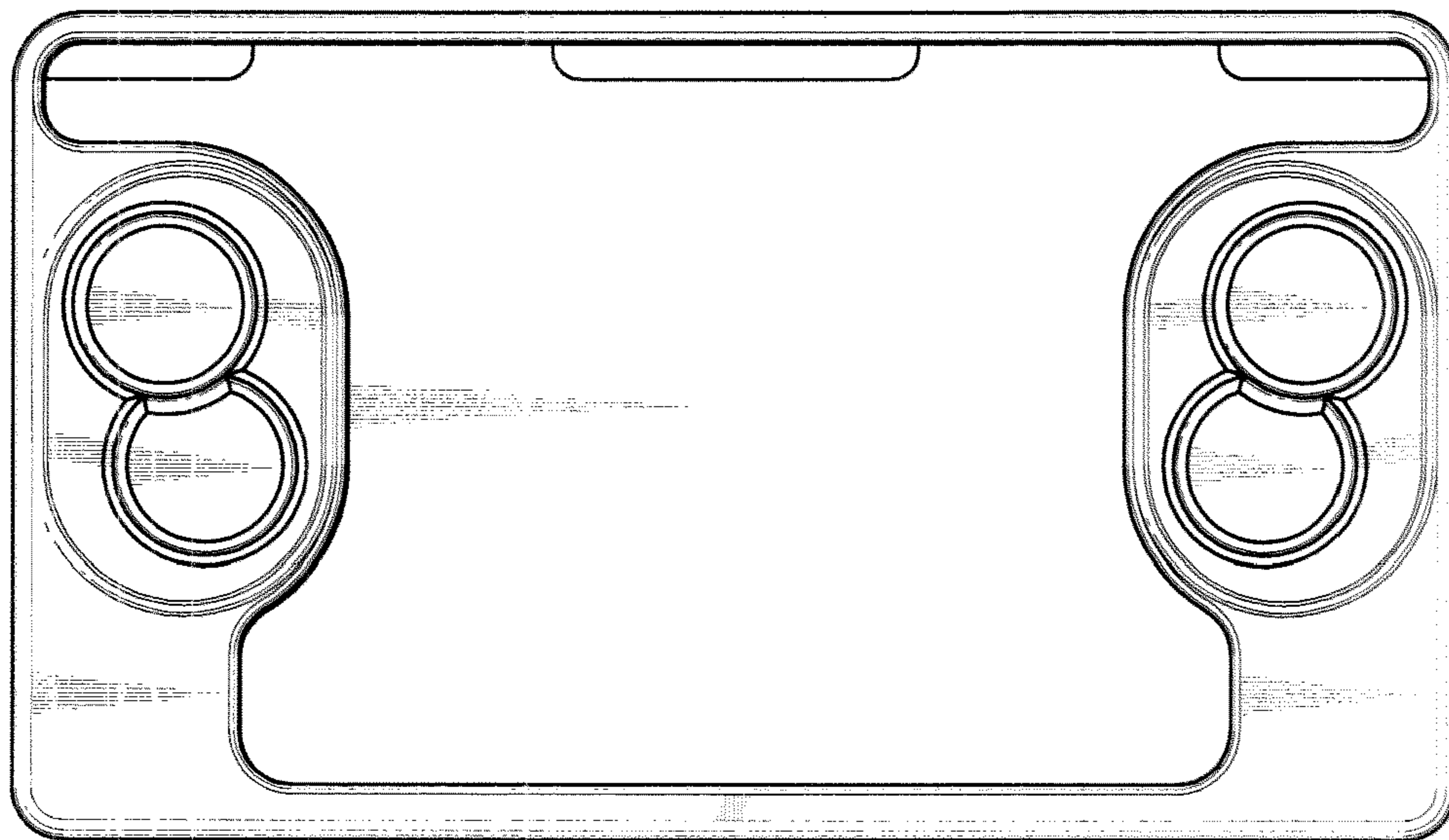
FIG. 7 is a bottom plan view thereof.

**1 Claim, 2 Drawing Sheets**

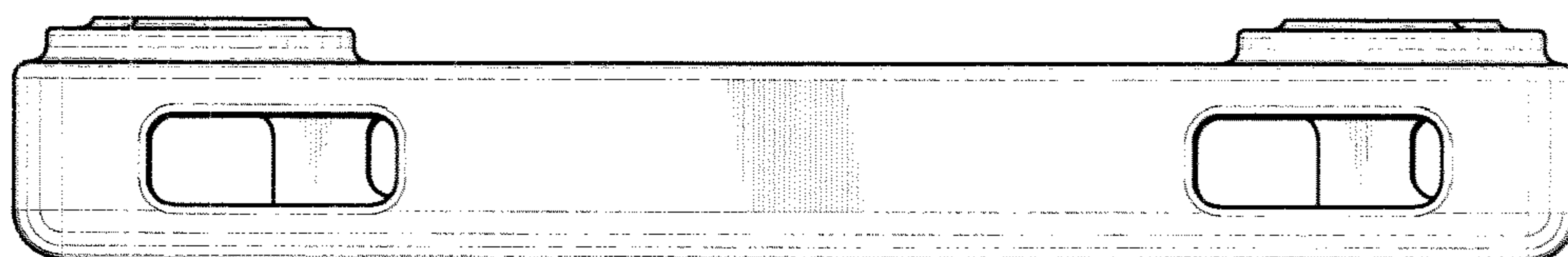




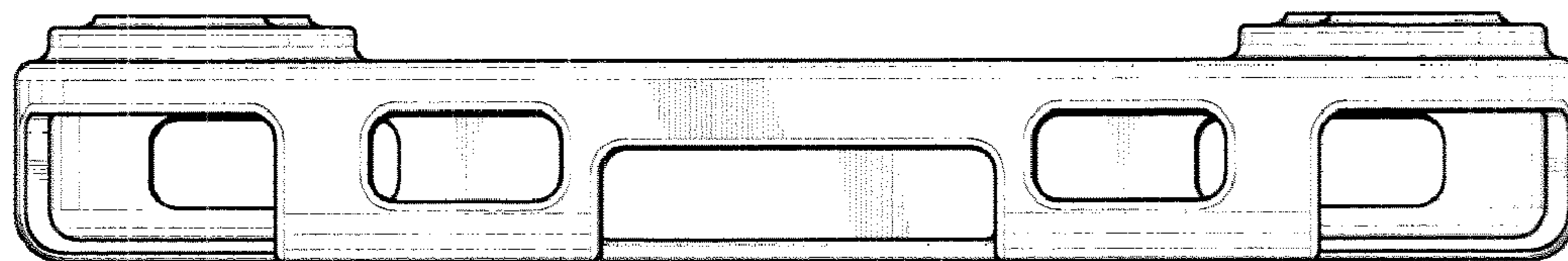
*FIG. 1*



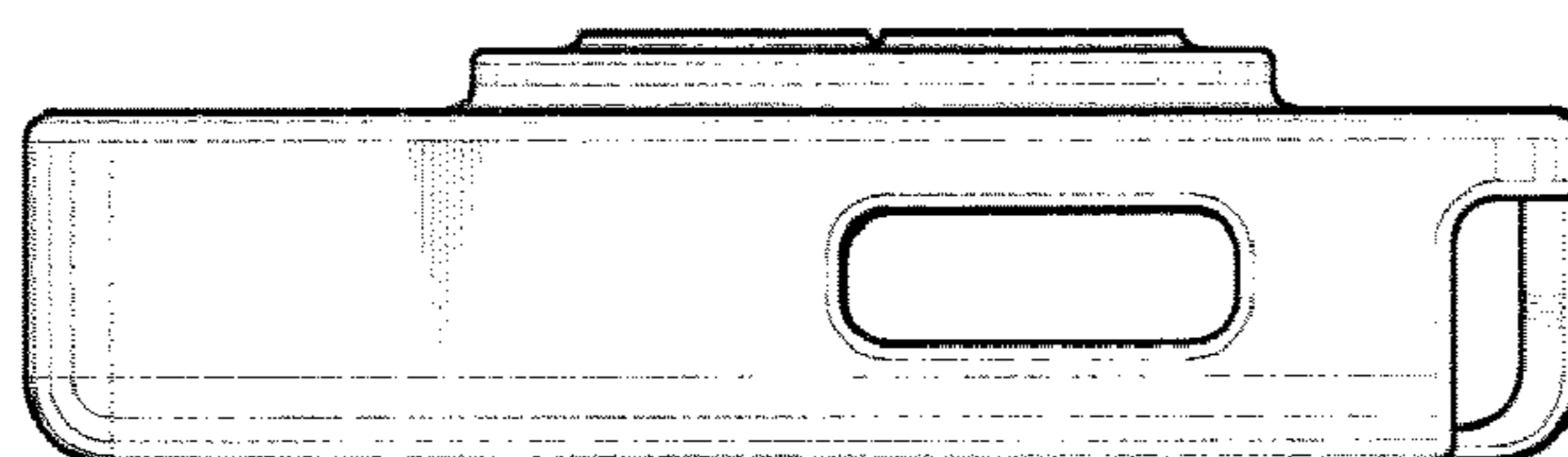
*FIG. 2*



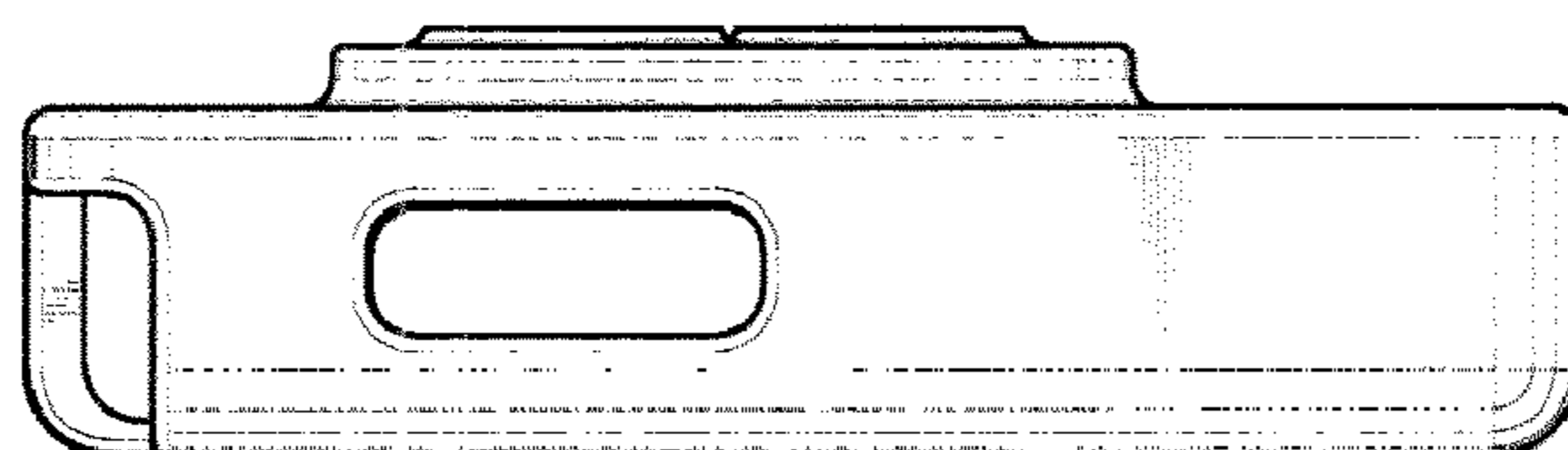
*FIG. 3*



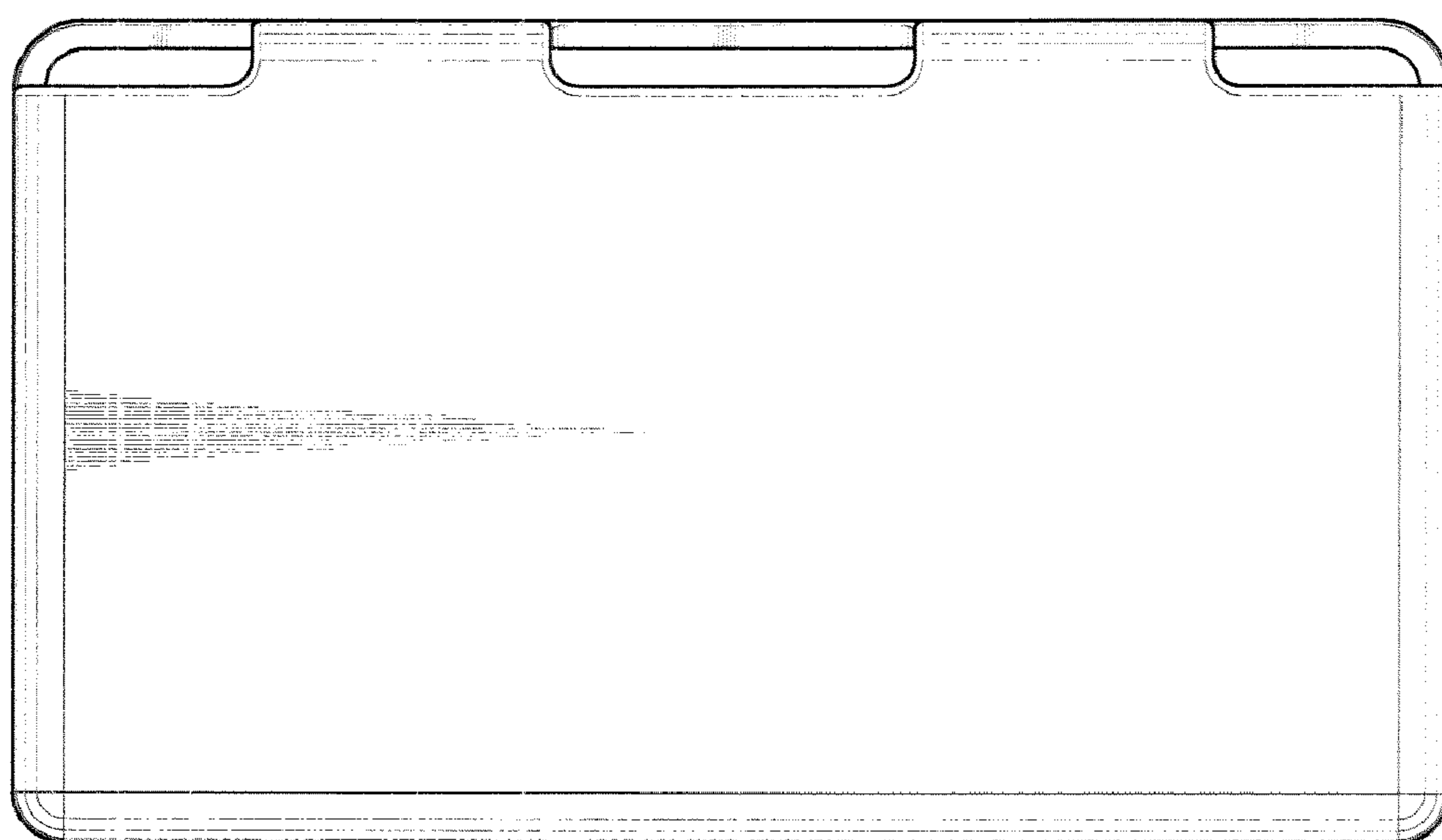
*FIG. 4*



*FIG. 5*



*FIG. 6*



*FIG. 7*