



US00D624128S

(12) **United States Design Patent**
Elston

(10) **Patent No.:** **US D624,128 S**

(45) **Date of Patent:** **** Sep. 21, 2010**

(54) **HANG TAG**

(76) **Inventor:** **Stephen J. Elston**, 510 John Anderson Dr., Ormond Beach, FL (US) 32176

(**) **Term:** **14 Years**

(21) **Appl. No.:** **29/345,172**

(22) **Filed:** **Oct. 12, 2009**

(51) **LOC (9) Cl.** **19-08**

(52) **U.S. Cl.** **D20/22; D10/116**

(58) **Field of Classification Search** D20/10, D20/19, 22-29, 40, 43, 99; 40/299.01, 628, 40/631, 636, 642.02, 647-649, 651, 655, 40/658, 660, 661.04, 661.11, 662, 664, 669; D10/104, 109, 116; D13/157; D9/455, 457; 24/3.1, 3.3, 474; 206/5, 5.1, 376; 283/56, 283/71, 81

See application file for complete search history.

(56) **References Cited**

U.S. PATENT DOCUMENTS

D234,473	S	*	3/1975	Ringle	D20/22
D294,485	S	*	3/1988	Johansson	D13/157
D308,080	S	*	5/1990	Sachs	D20/22
D317,181	S	*	5/1991	Nozawa	D20/22
D350,988	S	*	9/1994	Kravitz	D20/22
D381,694	S	*	7/1997	Morgan	D20/22
6,145,167	A	*	11/2000	Brentini	24/3.1
7,222,399	B2	*	5/2007	Eisenbraun	24/474
2007/0267307	A1	*	11/2007	Chang	206/376

* cited by examiner

Primary Examiner—Mary Ann Calabrese

(74) *Attorney, Agent, or Firm*—Allen, Dyer, Doppelt, Milbrath & Gilchrist, P.A.

(57) **CLAIM**

The ornamental design for hang tag, as shown and described.

DESCRIPTION

FIG. 1 is an exploded front perspective view of a hang tag of this invention.

FIG. 2 is a rear elevation of the design shown in FIG. 1;

FIG. 3 is a top view of the design shown in FIGS. 1 and 2;

FIG. 4 is a rear view of the downwardly extending portion of the design shown in FIGS. 1-3;

FIG. 5 is a front view of the design shown in FIGS. 1-4, with the downwardly extending portion shown in FIGS. 1 and 4 of the hang tag encircling a pair of glasses shown in broken lines;

FIG. 6 is a side view of the design shown in FIGS. 1-5; and

FIG. 7 is a front perspective view of a second embodiment of a hang tag in accordance with the present invention;

FIG. 8 is a front elevation of the design shown in FIG. 7;

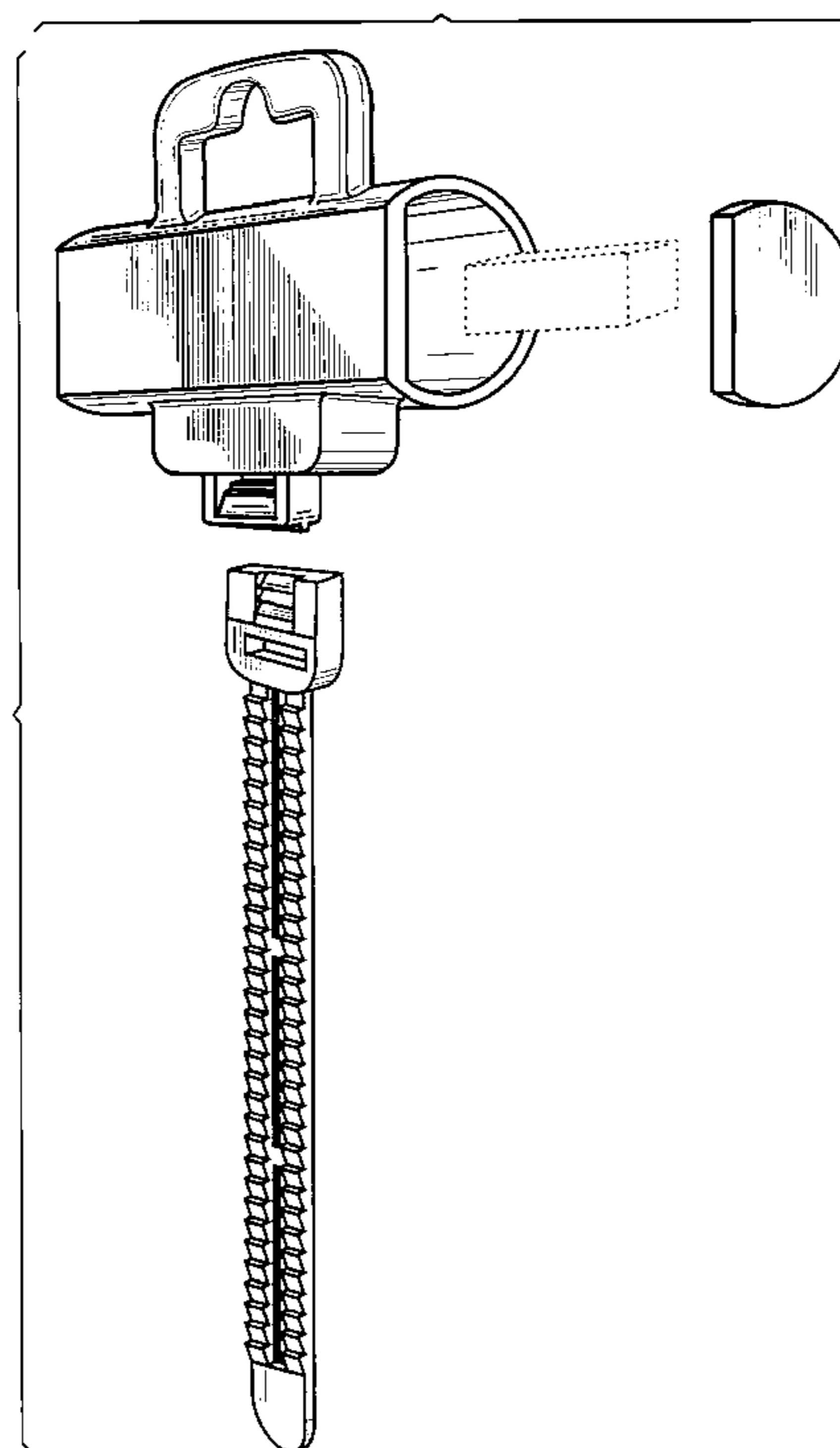
FIG. 9 is a top view of the design shown in FIGS. 7 and 8;

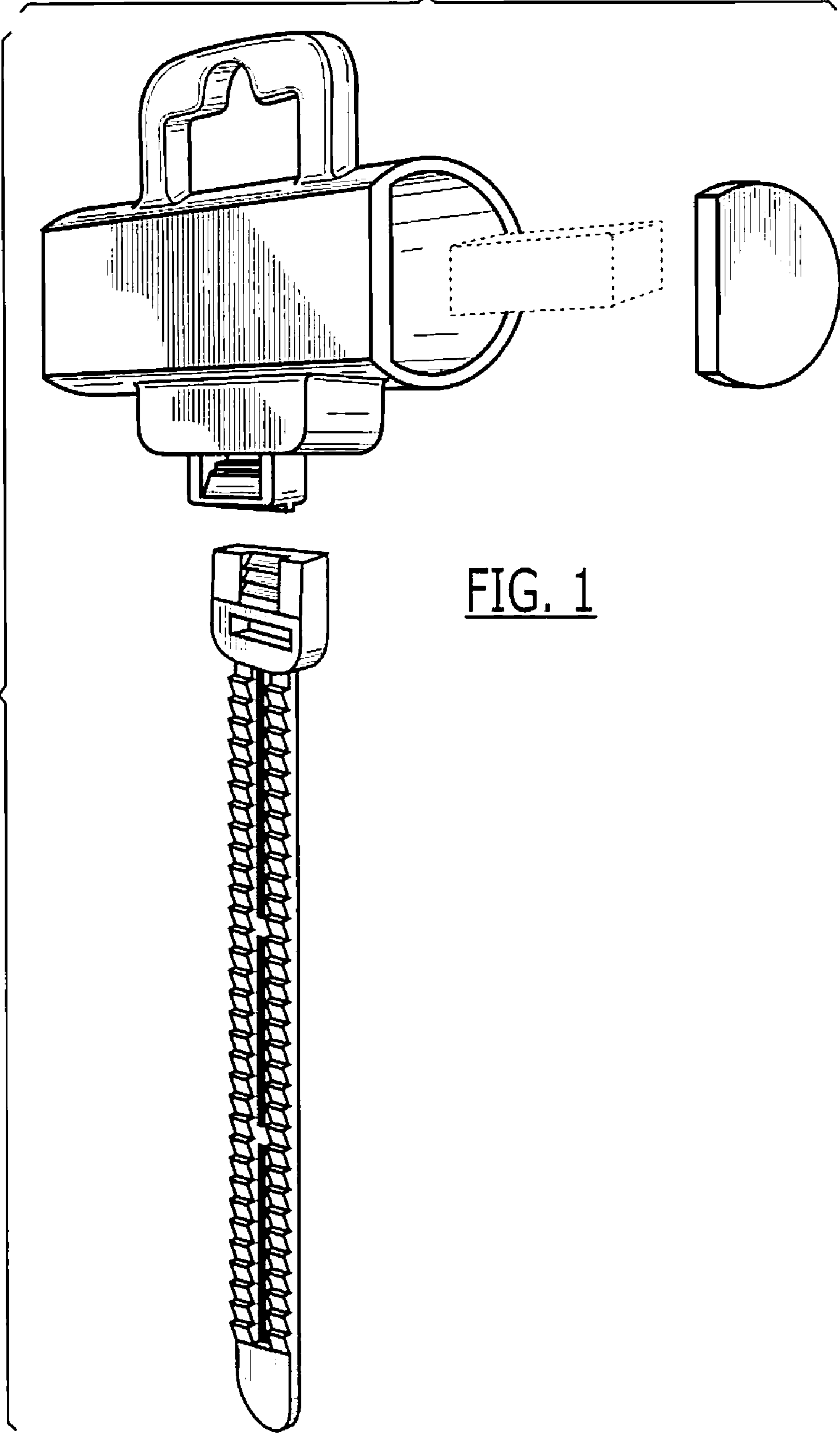
FIG. 10 is a front elevation of the design shown in FIGS. 7-9, holding a pair of glasses depicted in phantom lines; and,

FIG. 11 is a perspective rear view of the design shown in FIGS. 7-10.

In the drawings, the broken lines illustrate environment and form no part of the claimed design.

1 Claim, 6 Drawing Sheets





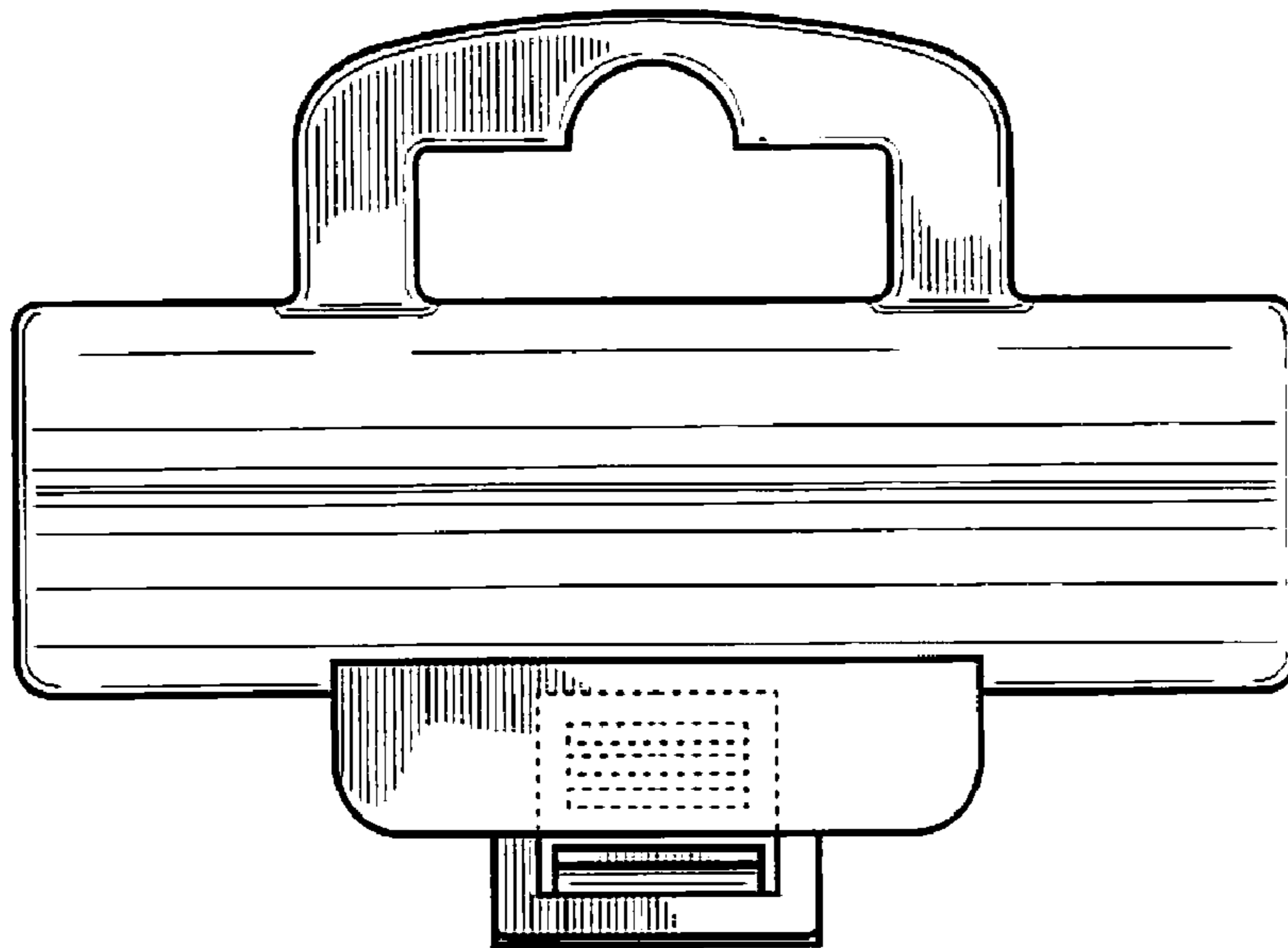


FIG. 2

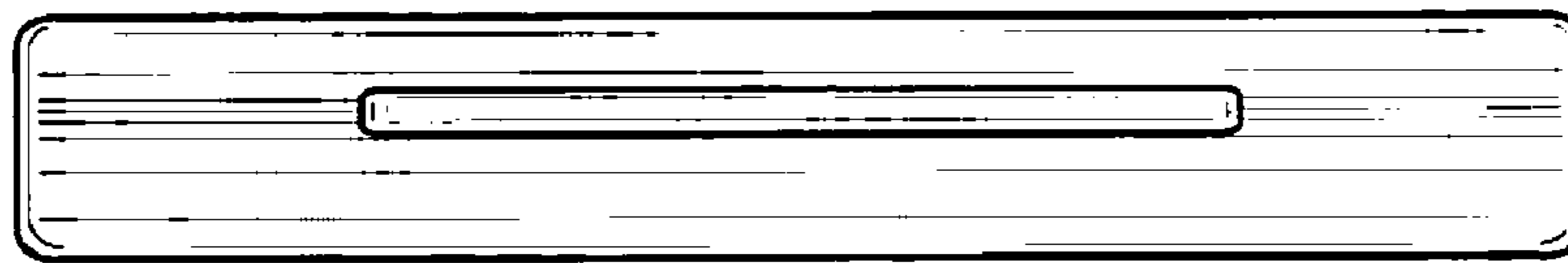


FIG. 3

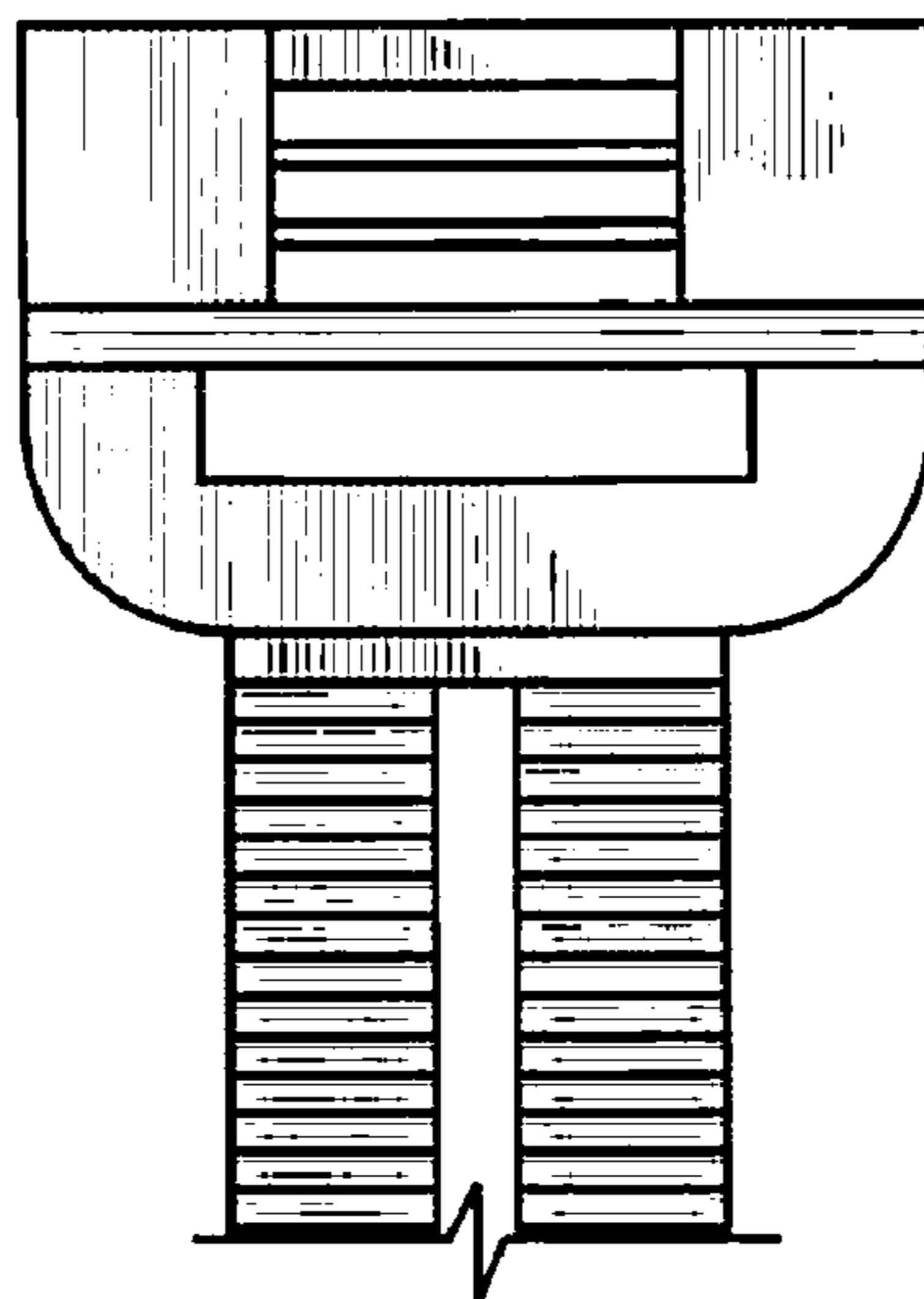


FIG. 4

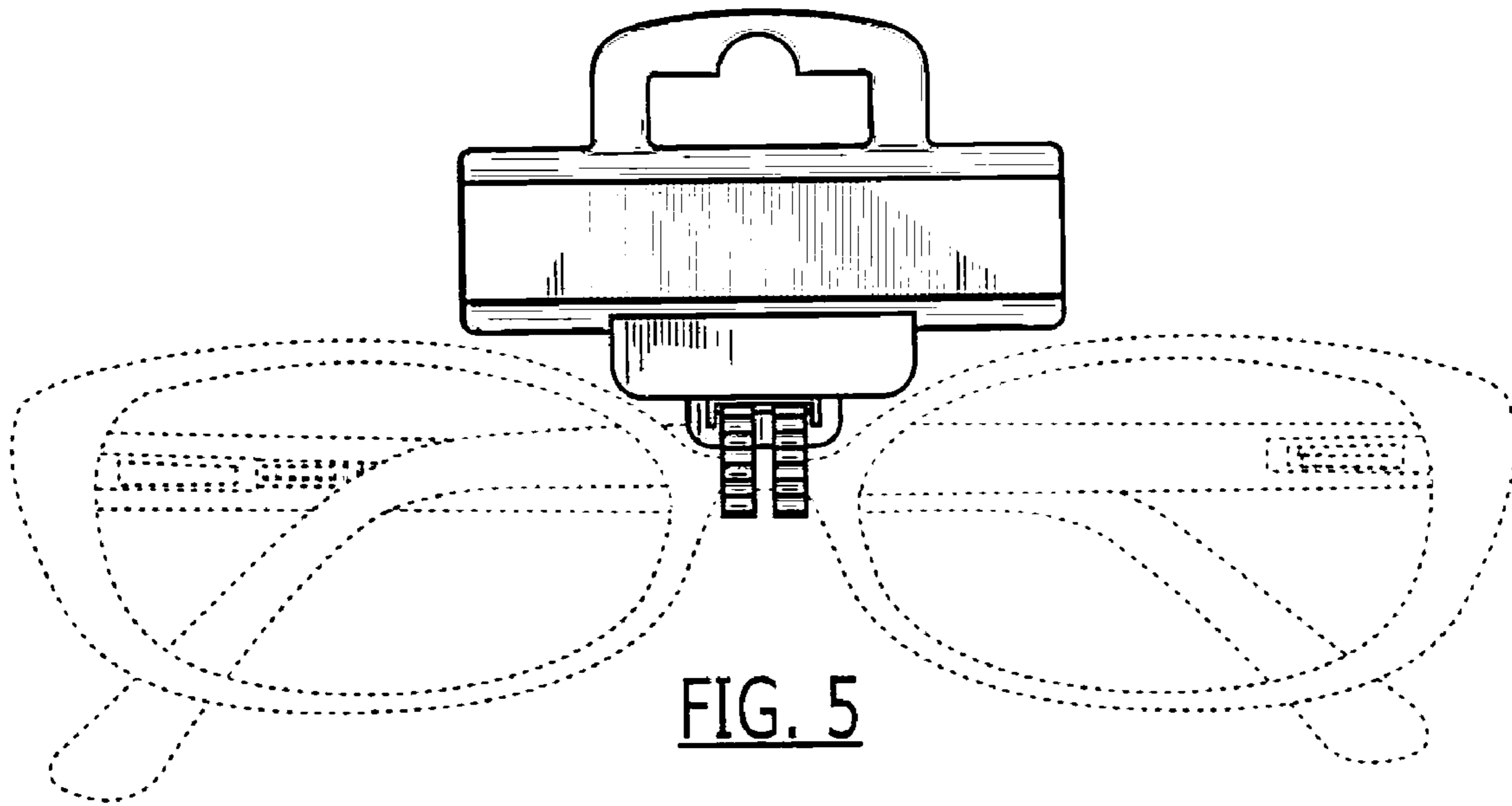


FIG. 5

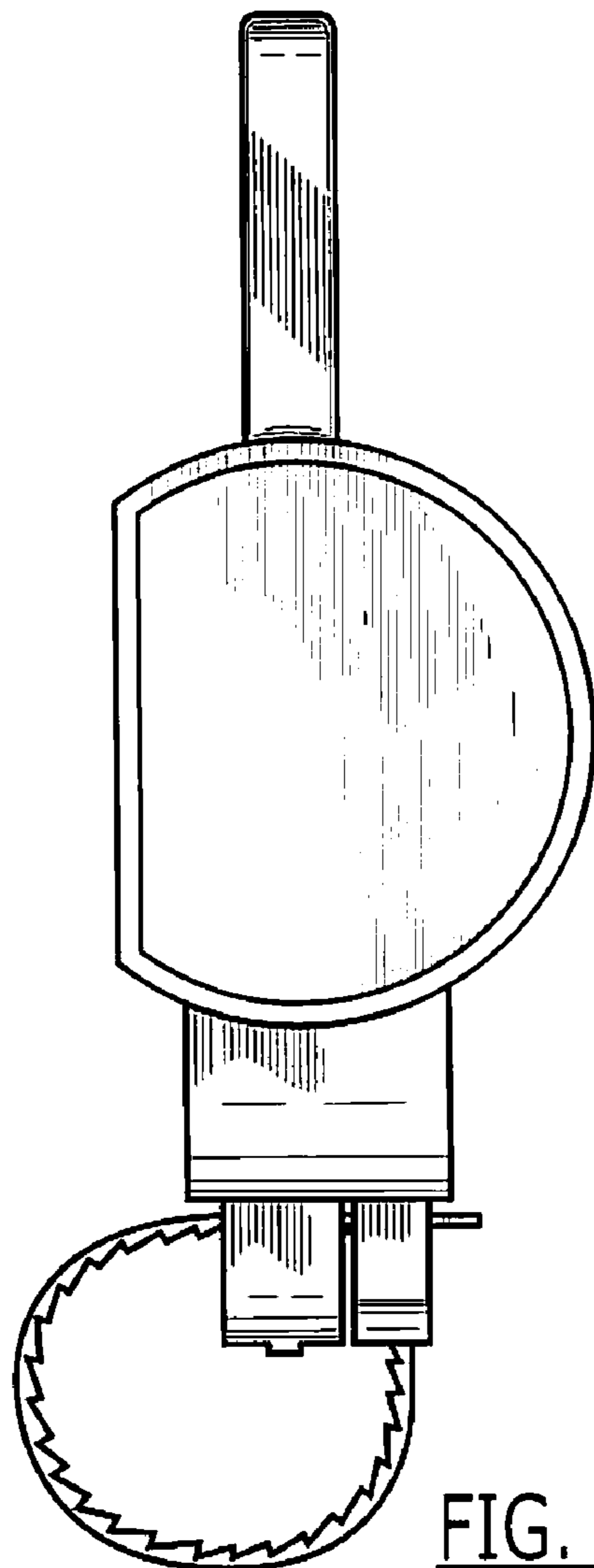


FIG. 6

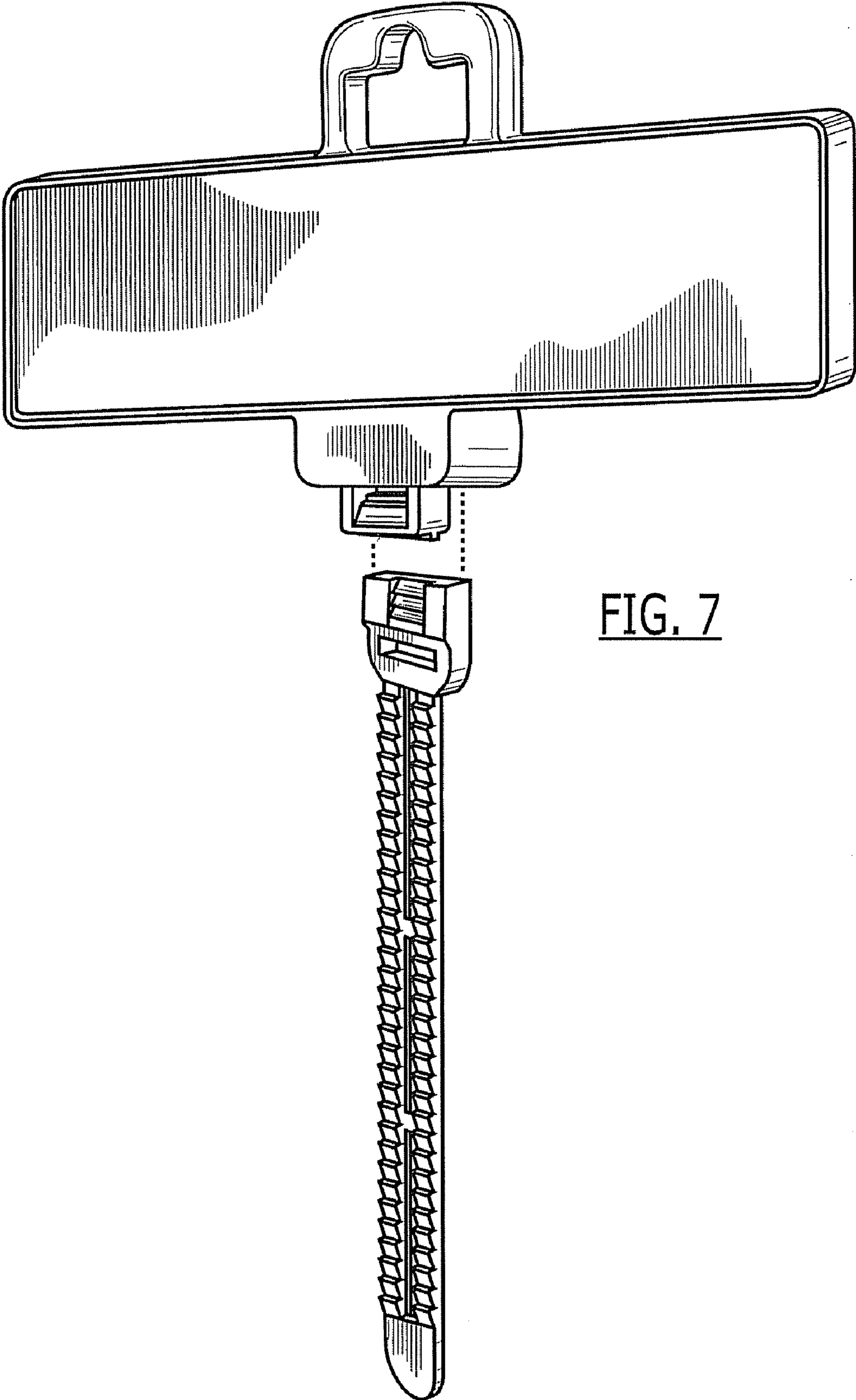


FIG. 7

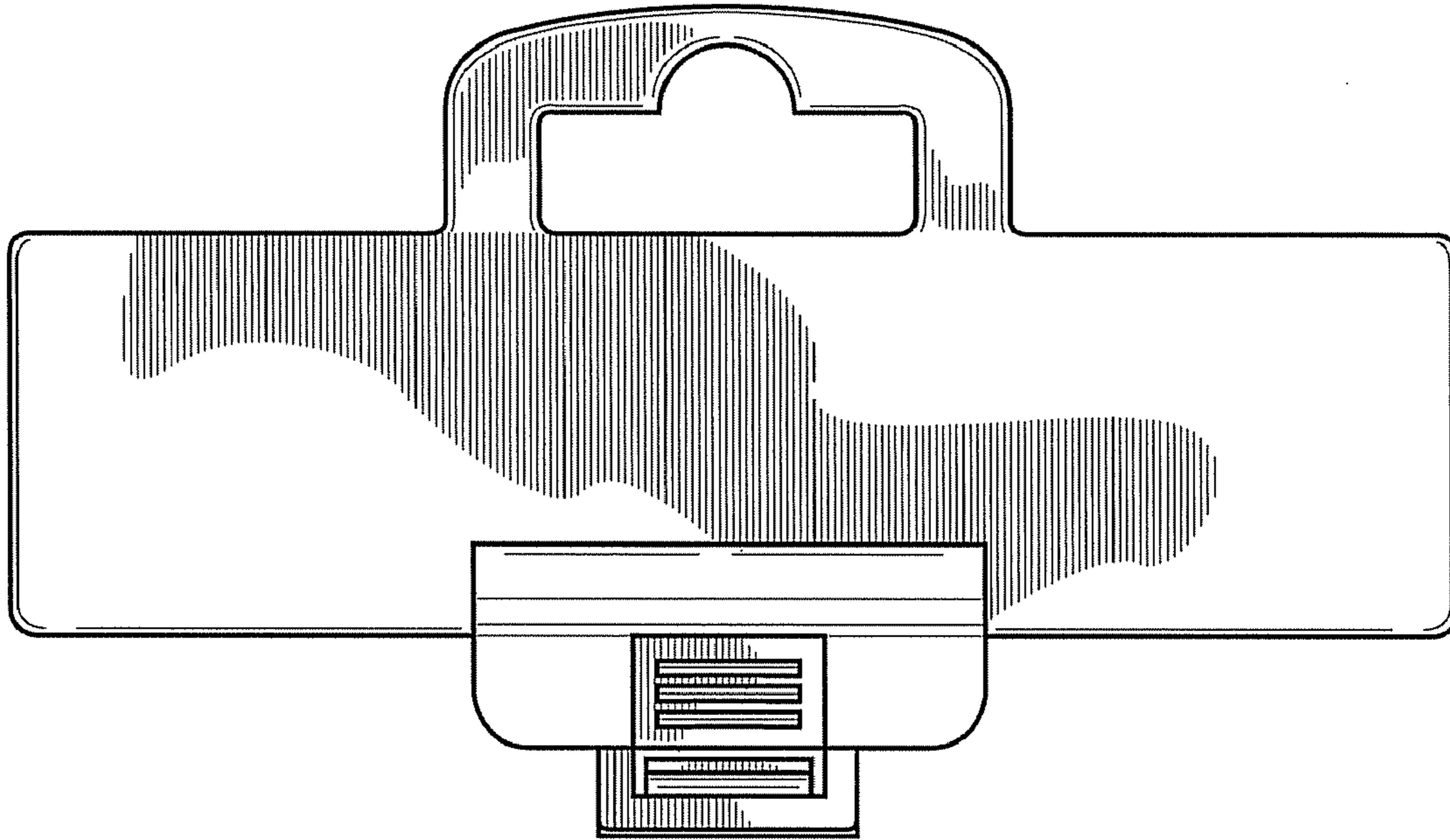


FIG. 8

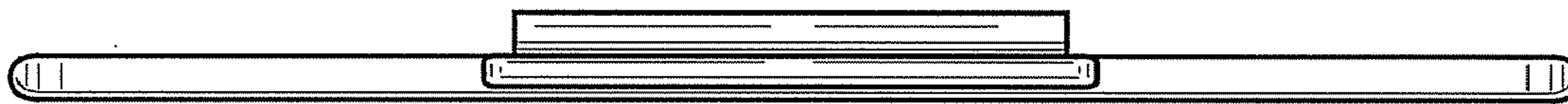


FIG. 9

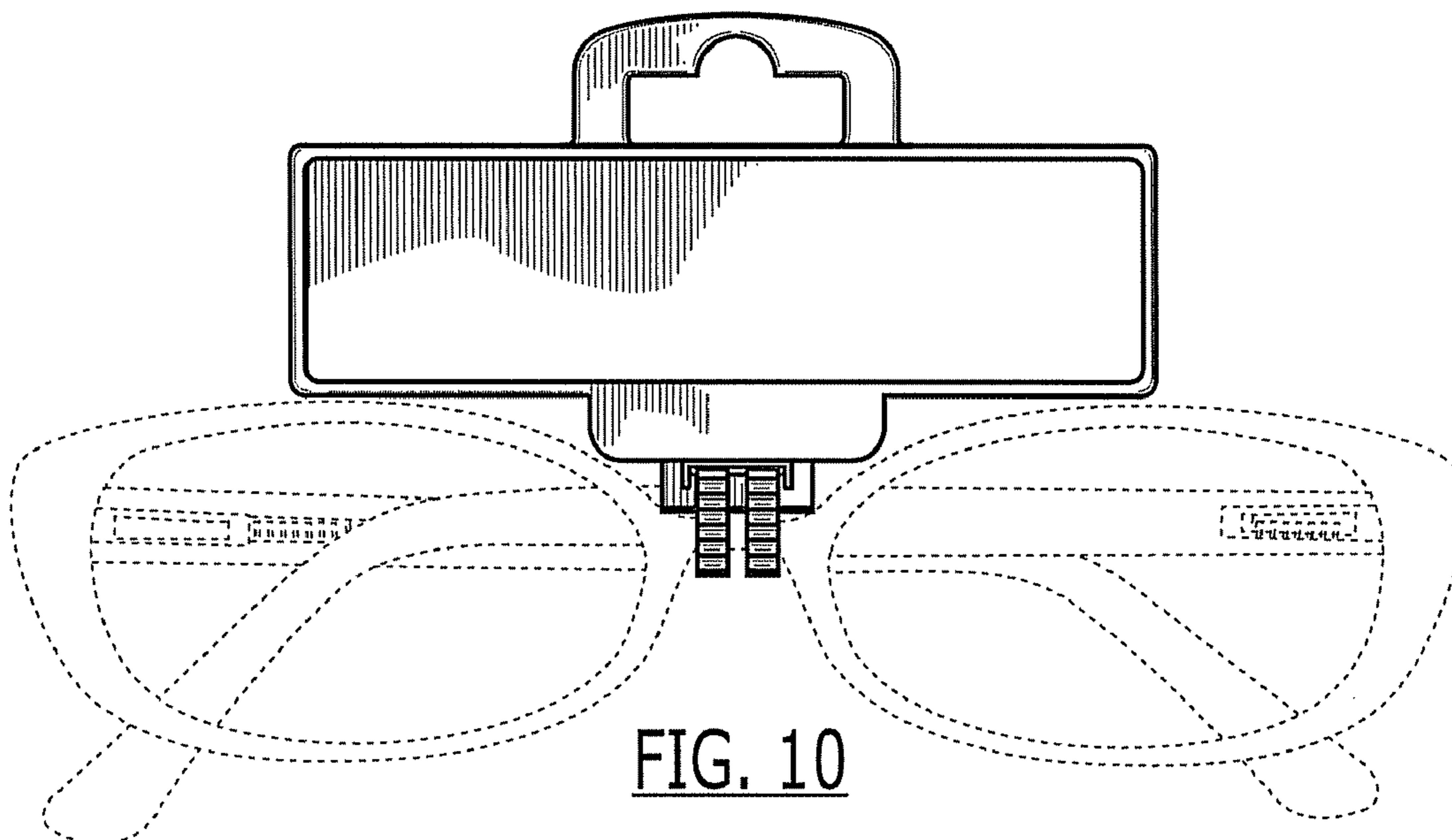


FIG. 10

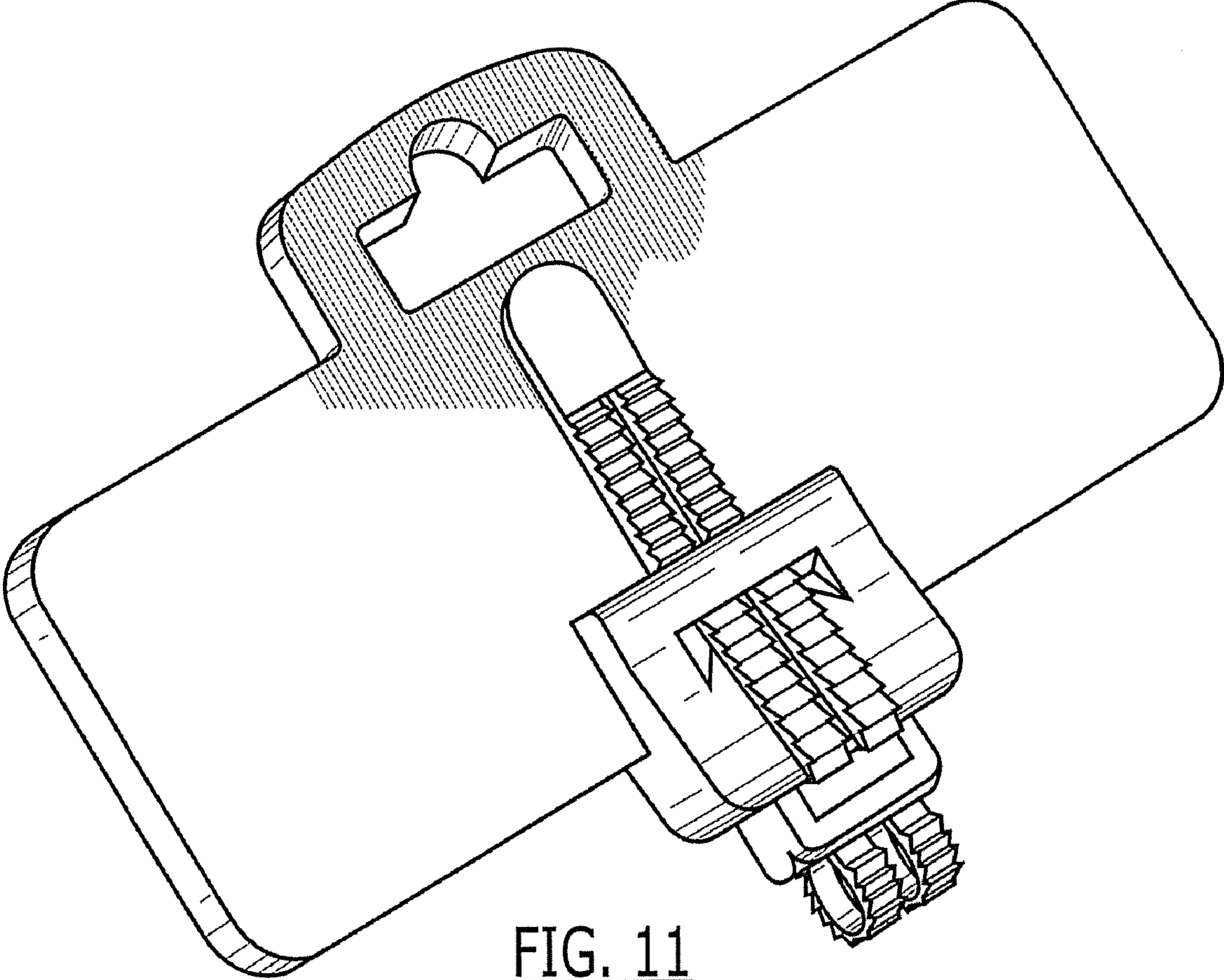


FIG. 11