



US00D624126S

(12) **United States Design Patent**
Butler

(10) **Patent No.:** **US D624,126 S**

(45) **Date of Patent:** **** *Sep. 21, 2010**

(54) **GRIPPING PENCIL TOPPER AND SHARPENER**

(76) Inventor: **Les I. Butler**, 6520 Platt Ave., Suite 340, West Hills, CA (US) 91307

(*) Notice: This patent is subject to a terminal disclaimer.

(**) Term: **14 Years**

(21) Appl. No.: **29/338,202**

(22) Filed: **Jun. 5, 2009**

(51) **LOC (9) Cl.** **19-06**

(52) **U.S. Cl.** **D19/73**

(58) **Field of Classification Search** D8/91, D8/98; D19/35, 36, 41–51, 53–57, 72, 73, D19/74, 99; 30/451–462; 144/28.1, 28.11, 144/28.2–28.7, 28.72, 28.8, 28.9; 401/19, 401/49, 52, 86, 88

See application file for complete search history.

(56) **References Cited**

U.S. PATENT DOCUMENTS

370,940	A *	10/1887	Gay	30/457
454,623	A *	6/1891	Baumgarten	30/460
D22,853	S *	10/1893	Foster	D19/73
622,882	A	4/1899	Buchanan		
703,967	A	7/1902	O'Byrne		
947,812	A	2/1910	Goodair		
D53,869	S *	9/1919	Wilson	D19/99
1,327,459	A	2/1920	Cleveland		
D58,563	S *	8/1921	Goldberg	D9/768
1,520,338	A *	12/1924	Dornseif	30/457
1,628,089	A	5/1927	Weis		
1,744,812	A	1/1930	Siptrott		
1,779,910	A	10/1930	Kisson		
1,788,369	A	1/1931	Constant		
2,028,660	A	1/1936	Grossman		
2,336,558	A	12/1943	McCauley		

2,366,928	A	1/1945	Paschell		
D146,197	S *	1/1947	Staab	D19/73
D149,356	S *	4/1948	Jalof	D19/73
2,519,625	A	8/1950	Becker		
2,989,947	A *	6/1961	Osmundsen	144/28.5
4,533,272	A	8/1985	Sakai		
4,601,598	A	7/1986	Schwartz et al.		

(Continued)

Primary Examiner—Elizabeth A Albert

(74) *Attorney, Agent, or Firm*—Marc E. Hankin; Kevin Schraven; Hankin Patent Law, APC

(57) **CLAIM**

The ornamental design for a gripping pencil topper and sharpener, as shown and described.

DESCRIPTION

FIG. 1 is a perspective top and front view of the gripping pencil topper and sharpener.

FIG. 2 is a front view of the gripping pencil topper and sharpener.

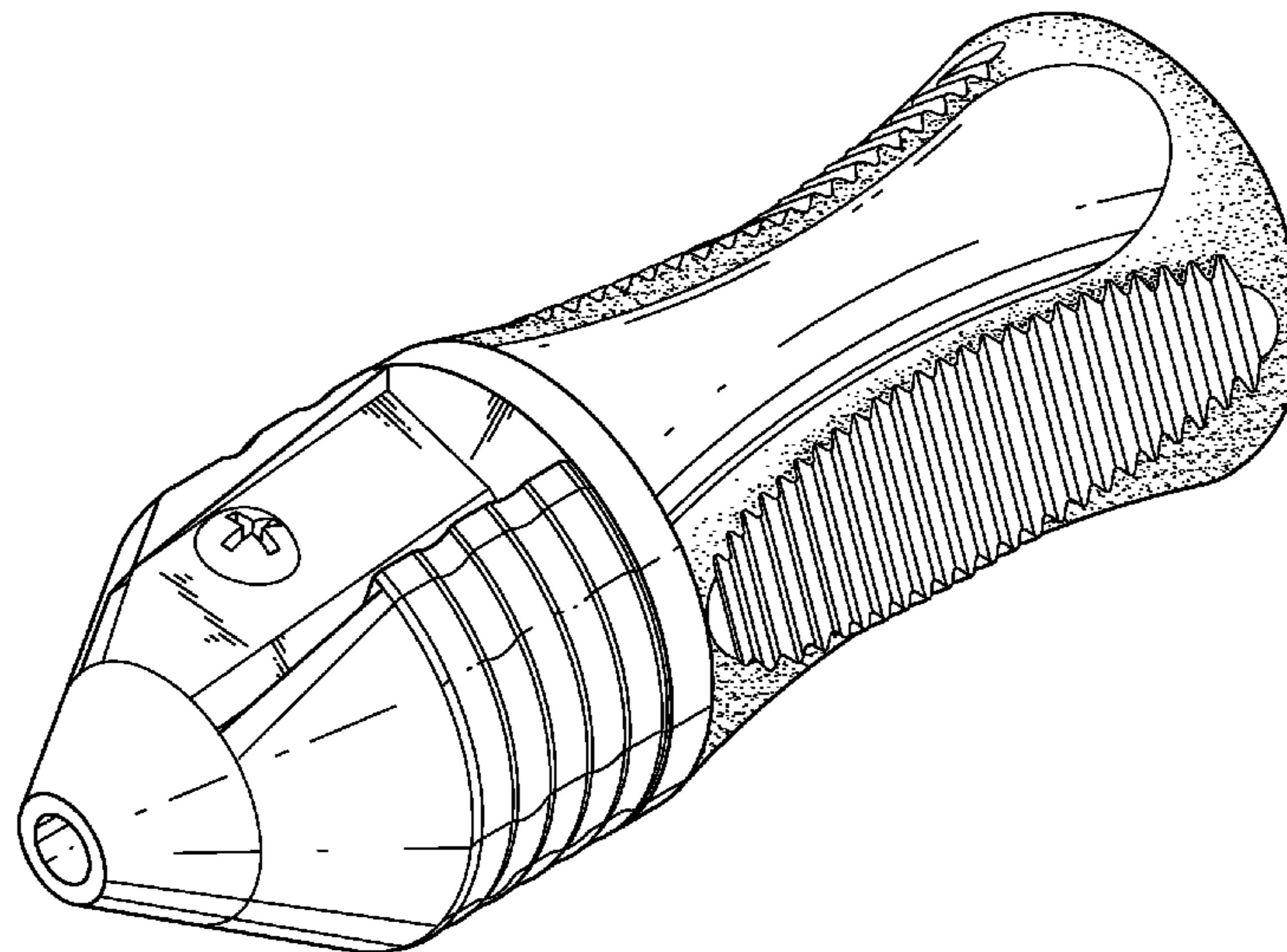
FIG. 3 is a back view of the gripping pencil topper and sharpener; and,

FIG. 4 is a top view of the gripping pencil topper and sharpener.

The stippling on the grip represents a surface texture and is part of the claimed design.

The gripping pencil topper and sharpener is intended to be used to fit on and around the head of a pencil so that a user may both sharpen the pencil without removing the gripping pencil topper and sharpener and more easily grip the pencil while writing with the pencil. As a pencil is sharpened by the gripping pencil topper and sharpener, only the graphite of the pencil protrudes through the top of the gripping pencil topper and sharpener.

1 Claim, 4 Drawing Sheets



US D624,126 S

Page 2

U.S. PATENT DOCUMENTS

4,991,299	A *	2/1991	Dietterich et al.	30/453	6,571,480	B1	6/2003	Qiu	
D402,314	S	12/1998	Lidle, Jr. et al.		D477,847	S *	7/2003	Gosse	D19/73
D431,263	S *	9/2000	Greenhouse	D19/73	6,974,026	B2 *	12/2005	Chan et al.	206/224
6,123,476	A *	9/2000	Rosenthal	401/51	2001/0016989	A1	8/2001	Luttgens	
D460,116	S *	7/2002	Gstalder	D19/73	2005/0100388	A1	5/2005	Bedhome et al.	
D470,183	S *	2/2003	Gstalder	D19/73	2006/0242846	A1	11/2006	Luttgens	

* cited by examiner

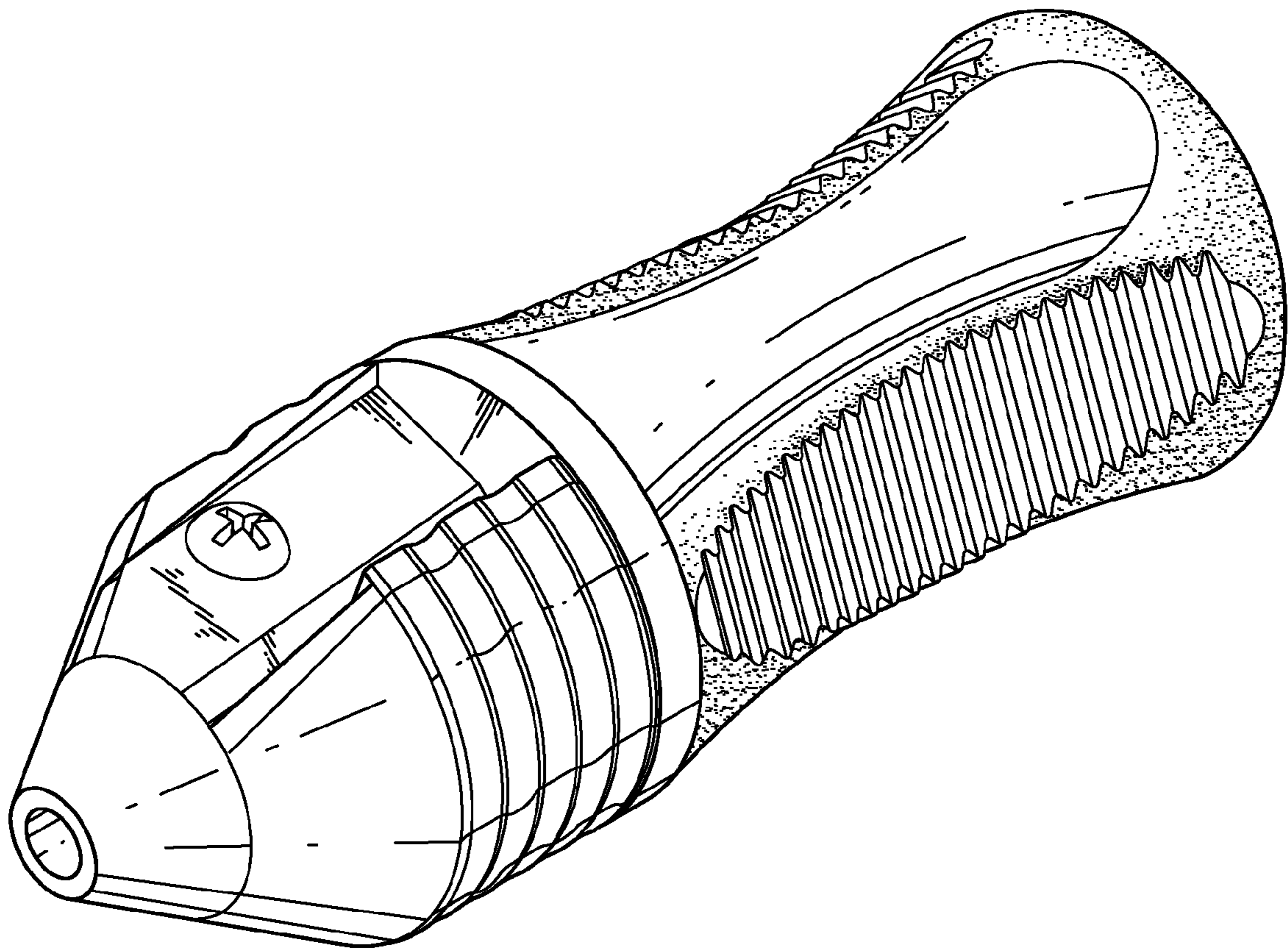


FIG. 1

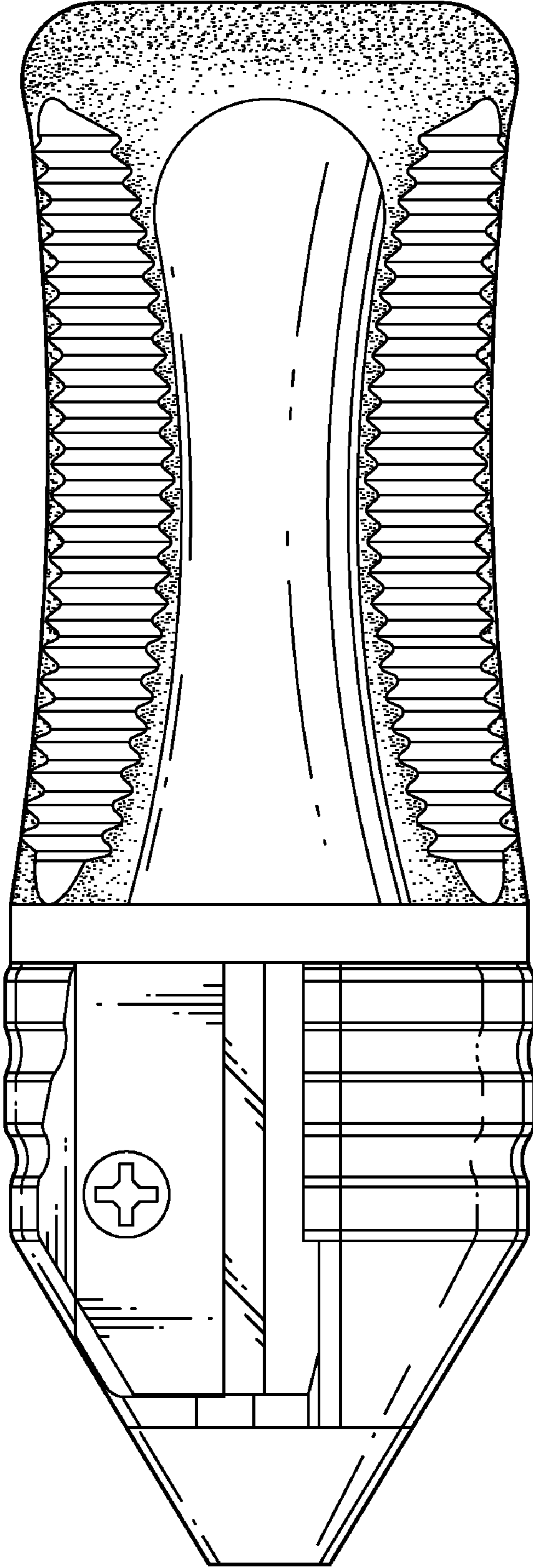


FIG. 2

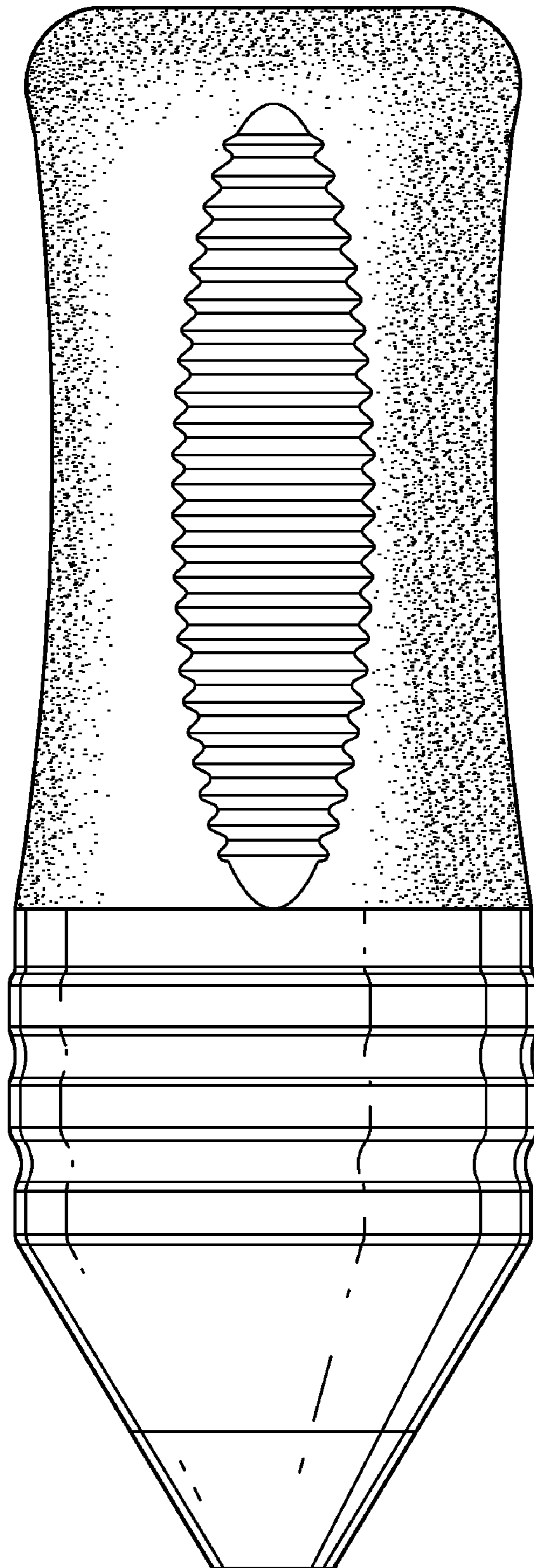


FIG. 3

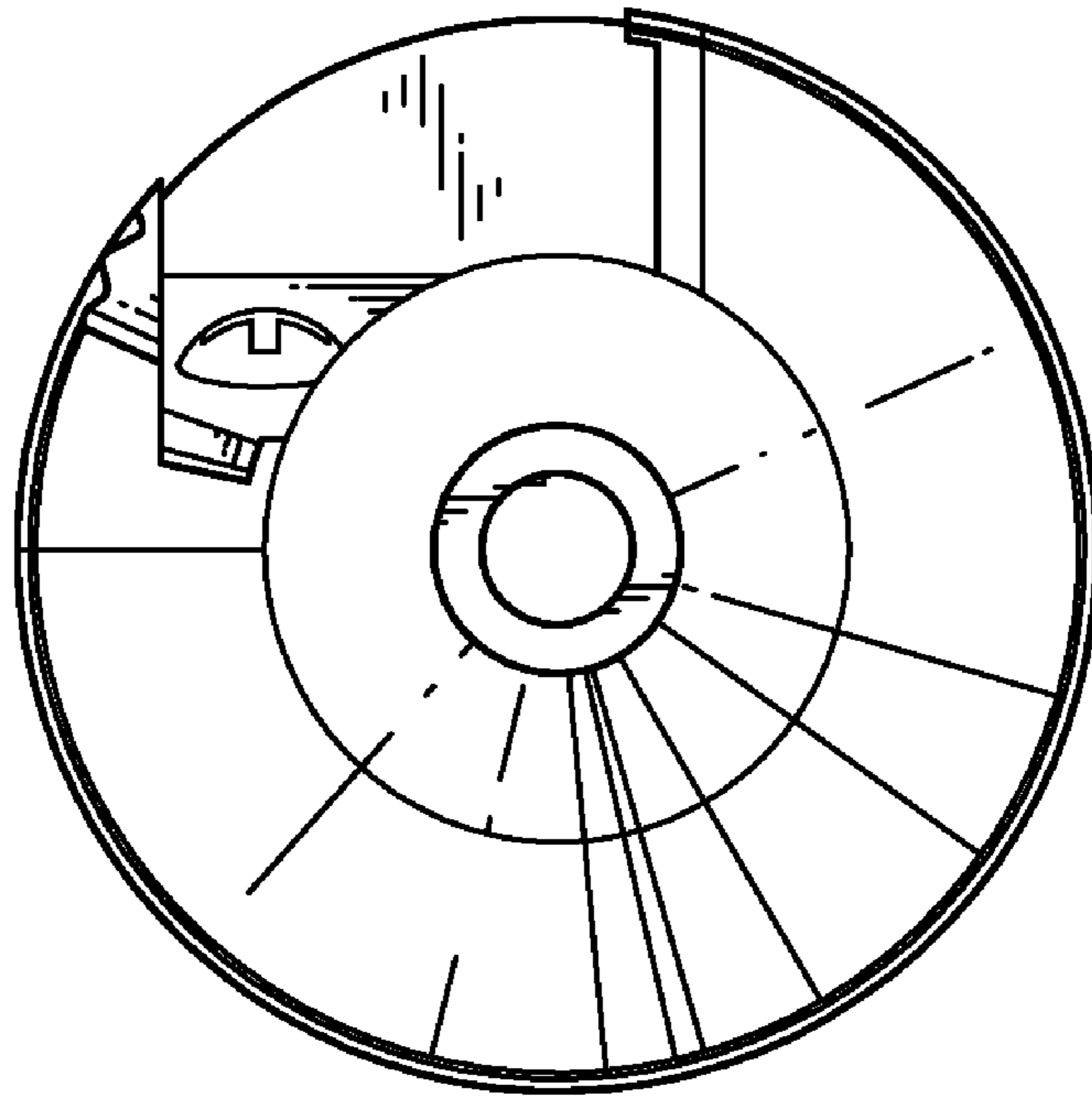


FIG. 4