



US00D624115S

(12) **United States Design Patent**
Ausems et al.

(10) **Patent No.:** **US D624,115 S**

(45) **Date of Patent:** **** *Sep. 21, 2010**

(54) **HANDHELD TRANSACTION TERMINAL**

(75) Inventors: **Michiel Reinier Ausems**, Paris (FR);
Gerard Jean-Marie Eugene Compain,
Paris (FR); **Gregoire Mardinian**,
Montmorency (FR); **Jean-Pierre**
Fortune, Paris (FR); **Benedict John**
Kahan, Le Kremlin Bicetre (FR);
Olivier Yves Marie Condemine, Paris
(FR)

(73) Assignee: **GMX**, Paris (FR)

(*) Notice: This patent is subject to a terminal disclaimer.

(**) Term: **14 Years**

(21) Appl. No.: **29/297,162**

(22) Filed: **Nov. 5, 2007**

Related U.S. Application Data

(63) Continuation-in-part of application No. PCT/IB2007/004186, filed on Oct. 3, 2007.

(51) **LOC (9) Cl.** **18-01**

(52) **U.S. Cl.** **D18/4.6**

(58) **Field of Classification Search** D14/218,
D14/336, 341-347, 371-376, 387; D18/1,
D18/2, 3.1-3.3, 4.1-4.6, 5-12, 12.1-12.3;
D21/324, 329, 332, 512; D99/28, 34-38,
D99/40; 235/1 E, 2, 7 R, 12, 22, 33, 51,
235/52, 58 R, 59 A, 59 BC-59 BH, 59 CP,
235/59 T, 59 TP, 61 R

See application file for complete search history.

(56) **References Cited**

U.S. PATENT DOCUMENTS

D306,610 S * 3/1990 Sato et al. D18/7
D334,398 S * 3/1993 Conard D18/7

D346,382 S * 4/1994 Ando et al. D18/7
D362,266 S * 9/1995 Matsuda D18/7
D408,439 S * 4/1999 Sirois et al. D18/7
D408,442 S * 4/1999 Lun D18/11
D429,273 S * 8/2000 Maree et al. D18/6
D459,385 S * 6/2002 Kennedy et al. D18/11
D513,035 S * 12/2005 Lui D18/7
D551,284 S * 9/2007 Bhavnani et al. D18/7
D605,635 S * 12/2009 Edahiro et al. D14/218

* cited by examiner

Primary Examiner—Garth Rademaker

(74) *Attorney, Agent, or Firm*—Sonnenschein Nath & Rosenthal LLP

(57) **CLAIM**

The ornamental design for a handheld transaction terminal, as shown and described.

DESCRIPTION

FIG. 1 is a perspective view of a handheld transaction terminal showing our new design;

FIG. 2 is a second perspective view thereof;

FIG. 3 is a front elevational view thereof;

FIG. 4 is a back elevational view thereof;

FIG. 5 is a left side elevational view thereof;

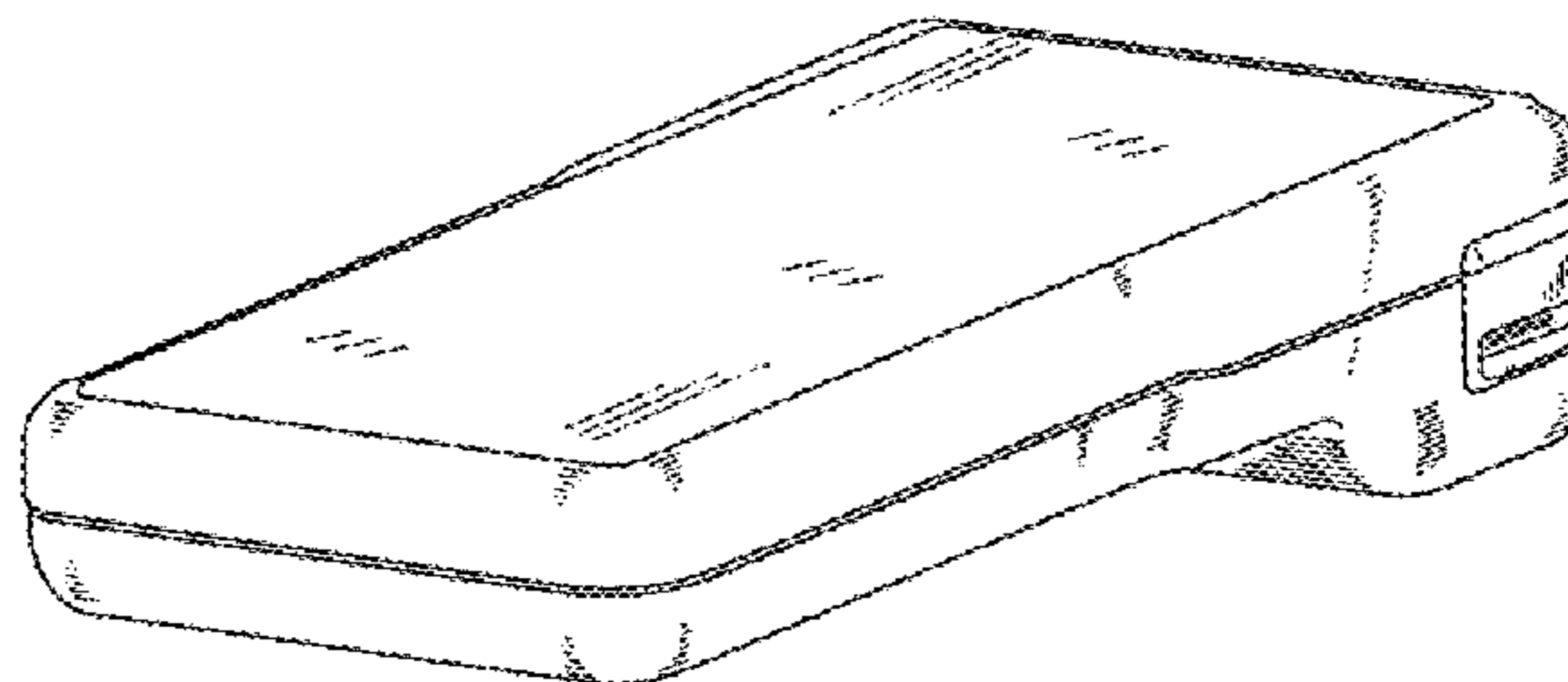
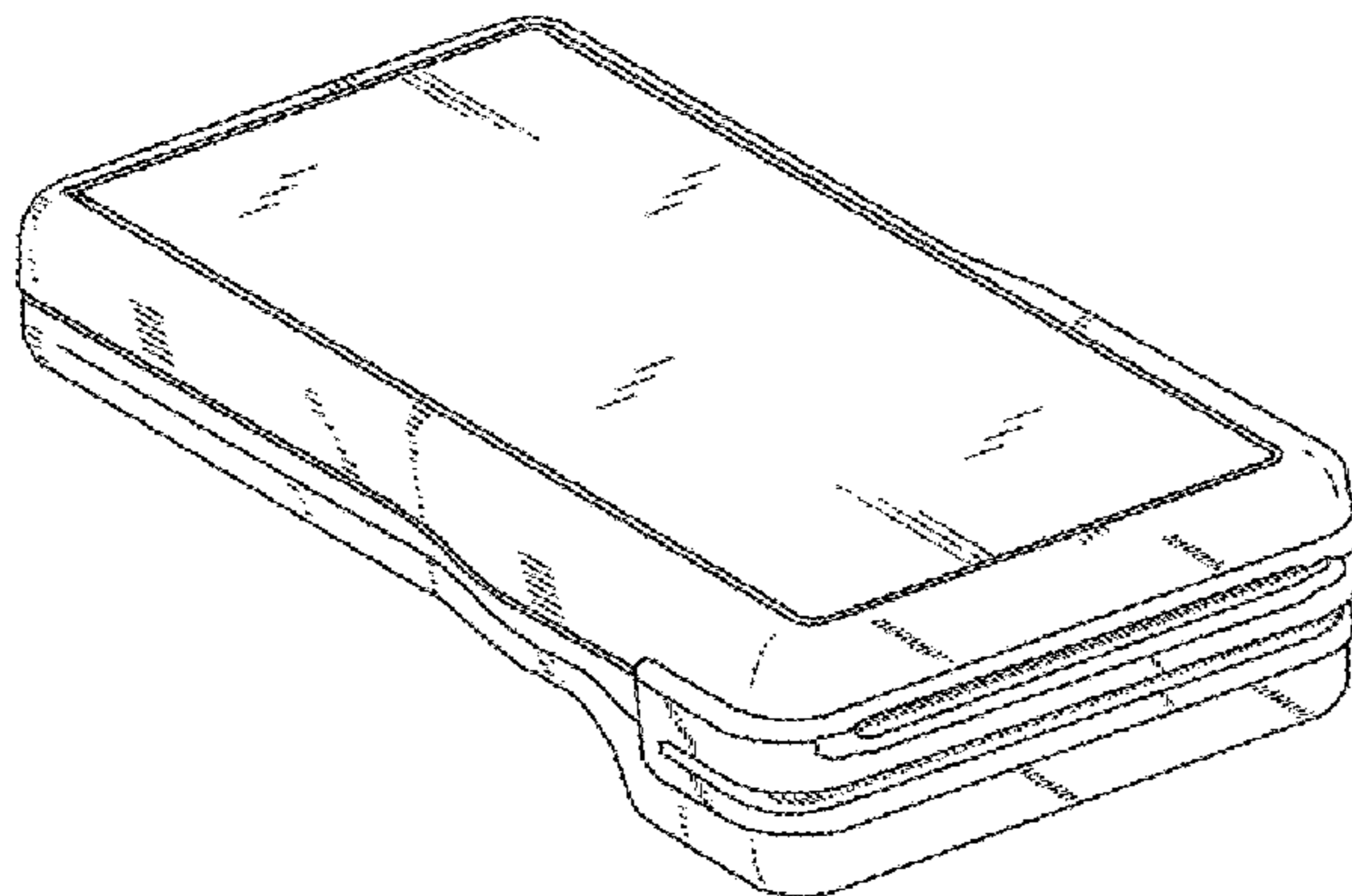
FIG. 6 is a right side elevational view thereof;

FIG. 7 is a top plan view thereof; and,

FIG. 8 is a bottom plan view thereof.

The elements illustrated by way of broken lines in FIGS. 1, 4, 5 and 6 are for illustrative purposes only and form no part of the claimed design.

1 Claim, 3 Drawing Sheets



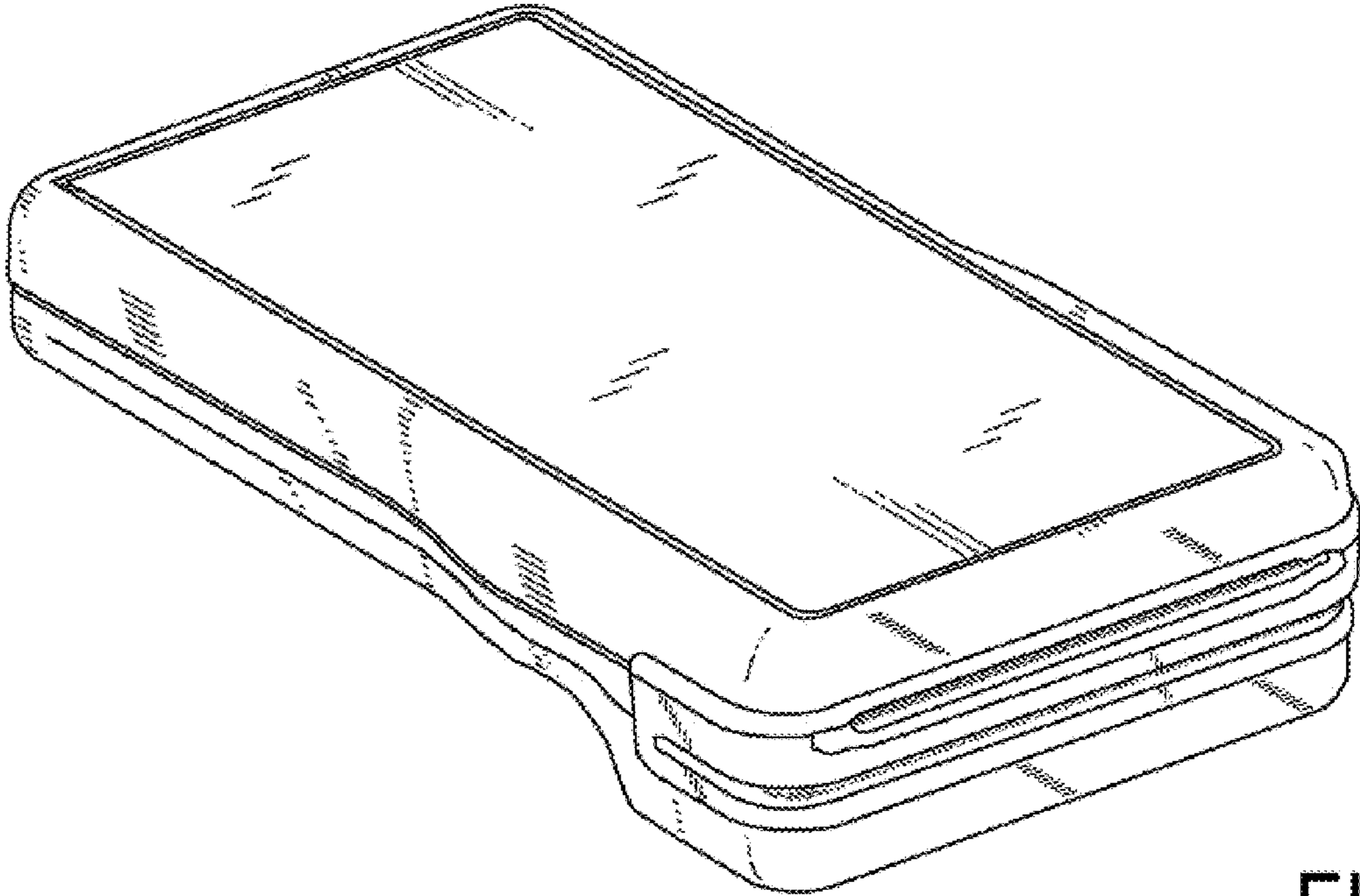


FIG. 1

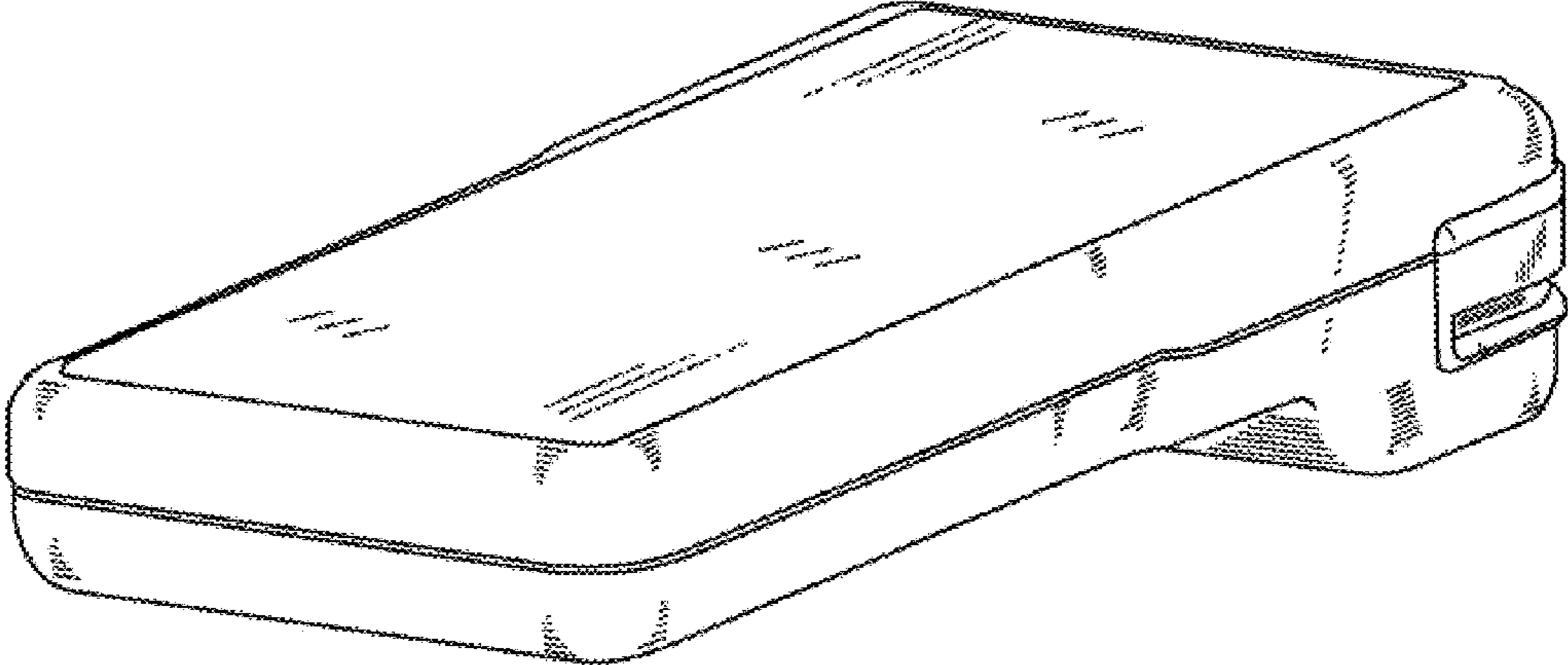


FIG. 2

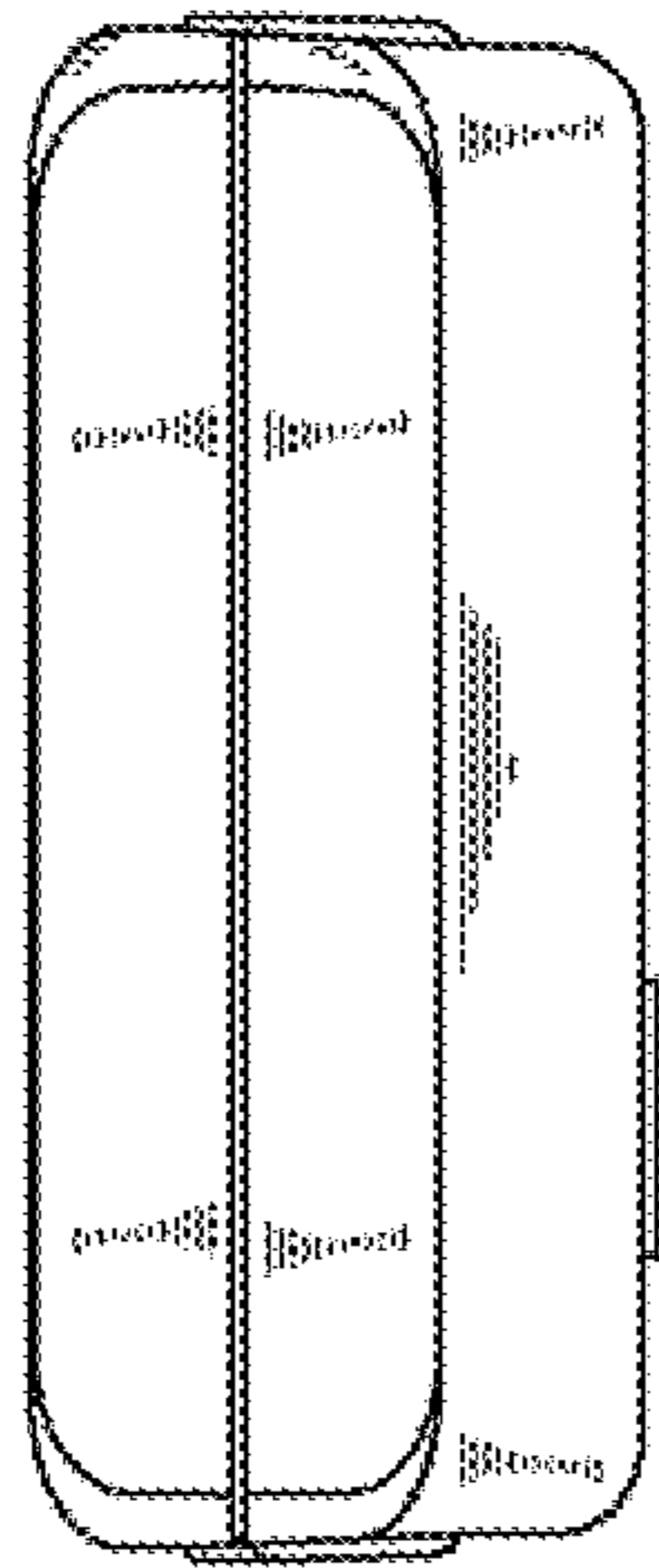


FIG. 3

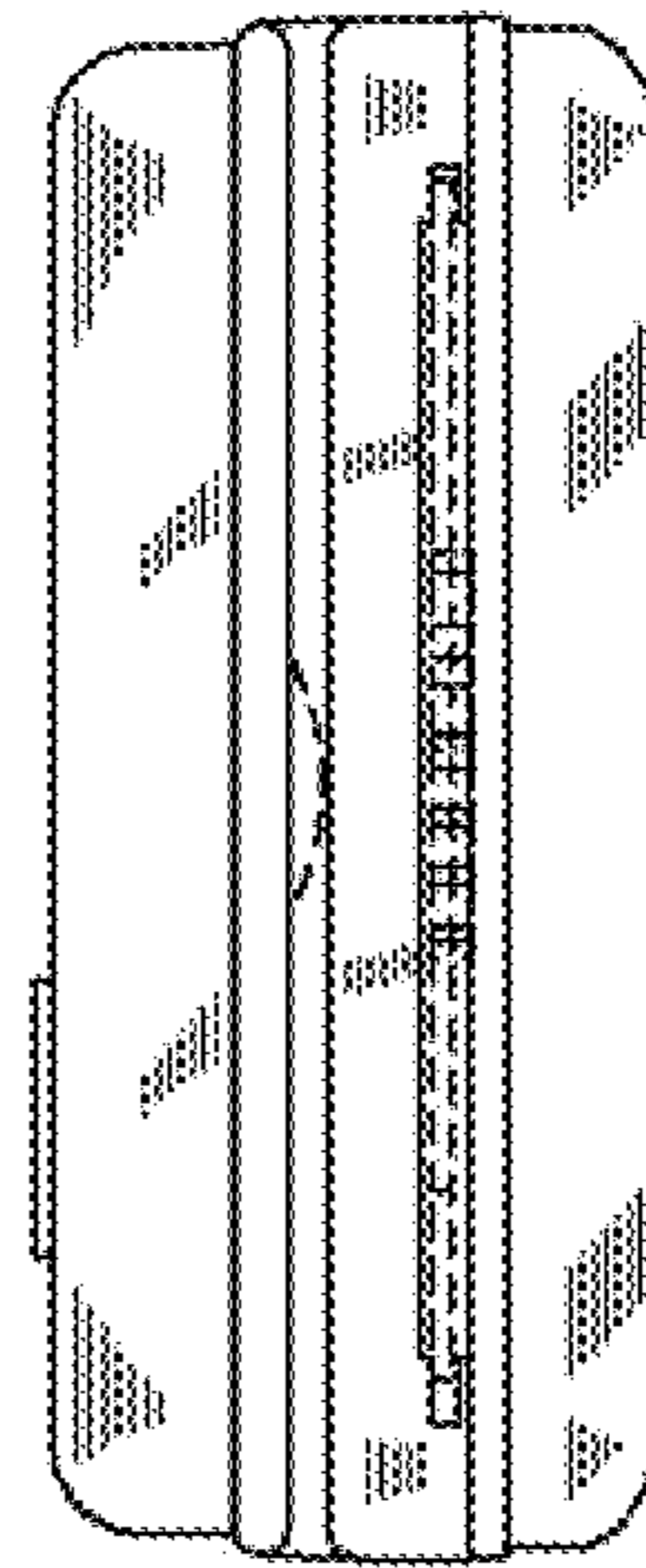


FIG. 4

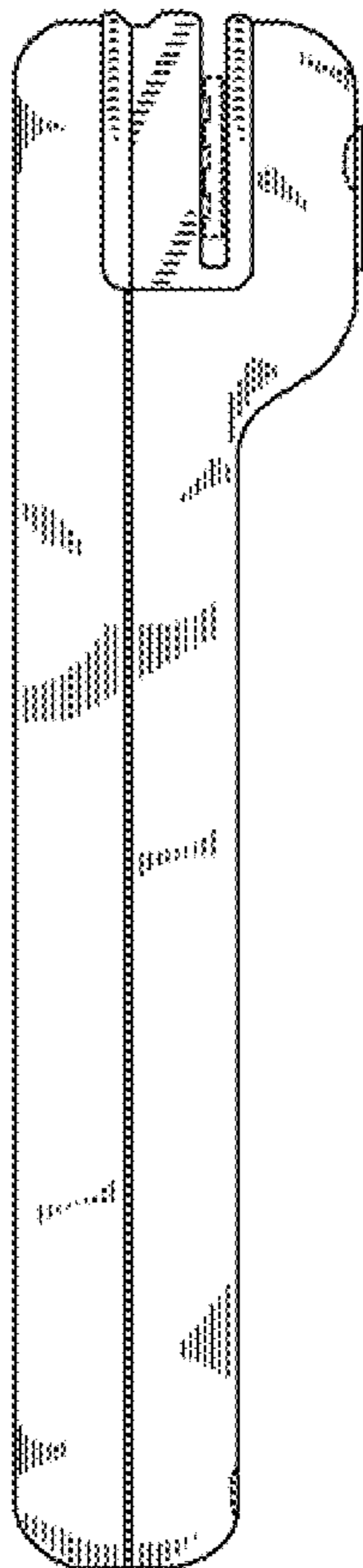


FIG. 5

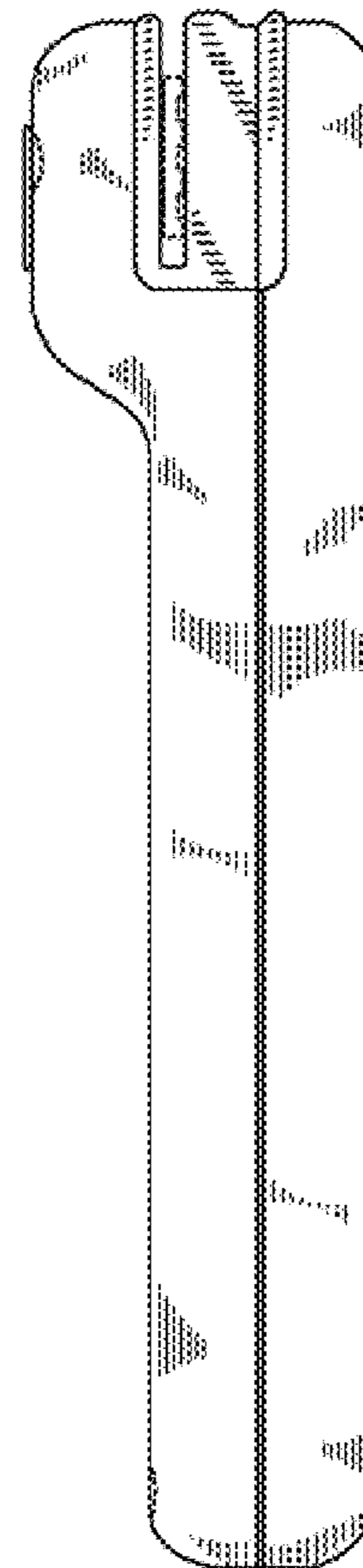


FIG. 6

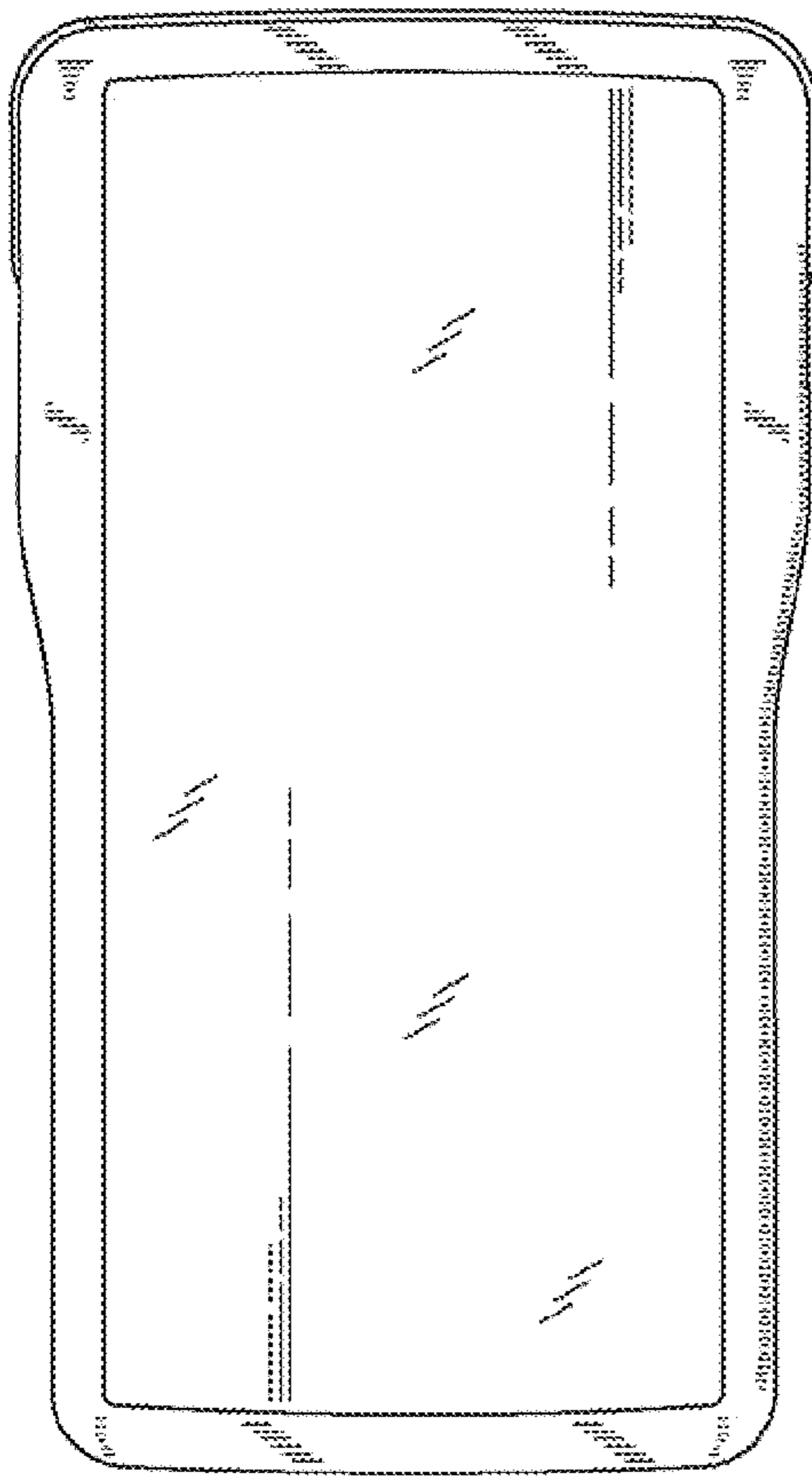


FIG. 7

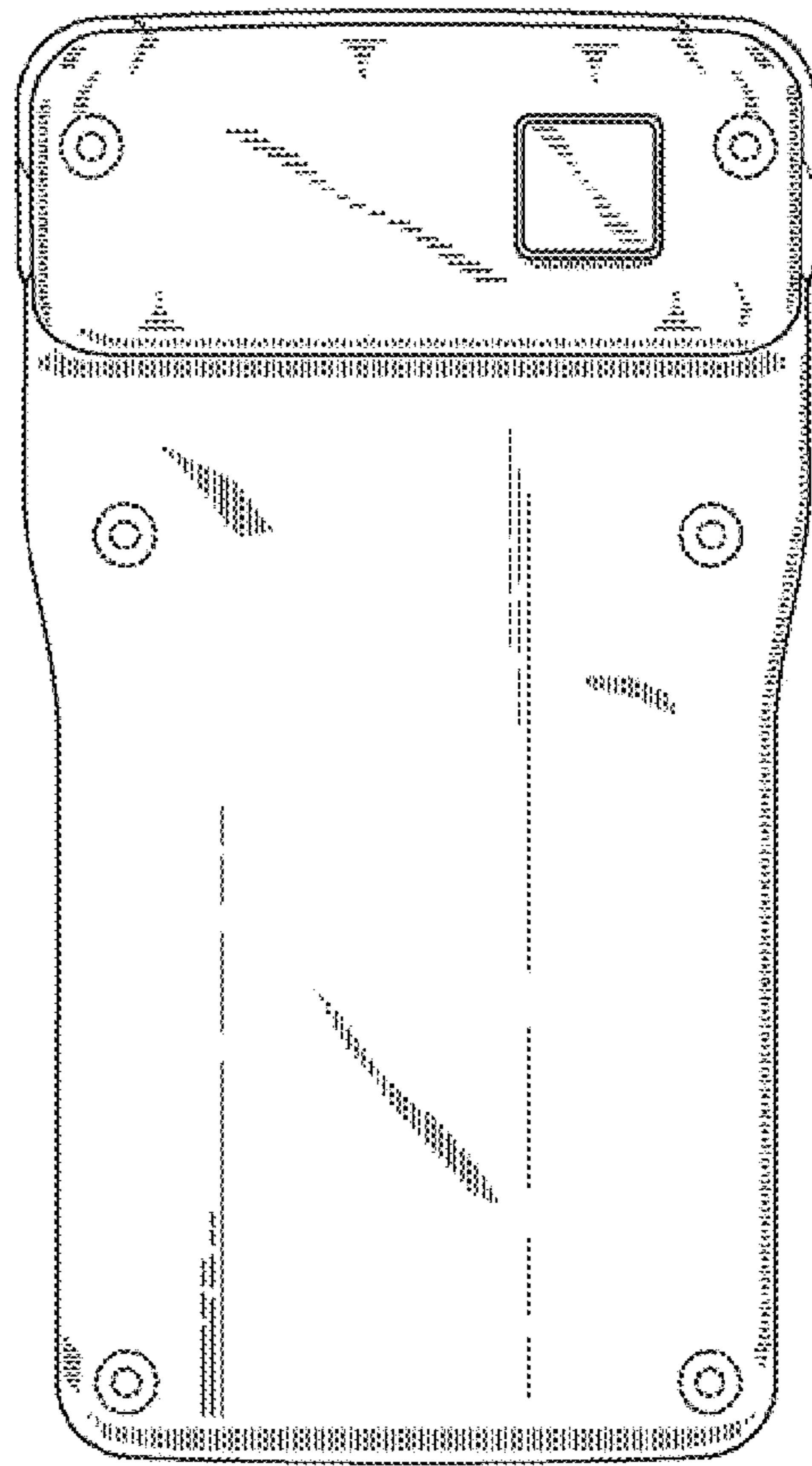


FIG. 8