

US00D624112S

(12) **United States Design Patent**  
**Purchon**

(10) **Patent No.:** **US D624,112 S**

(45) **Date of Patent:** **\*\* Sep. 21, 2010**

(54) **TREADLE**

5,902,951 A 5/1999 Kondo et al. .... 84/610

(75) Inventor: **Jeffrey Howard Purchon**, Acton, MA  
(US)

(73) Assignee: **Gig-fx, Inc.**, Waltham, MA (US)

(\*\*) Term: **14 Years**

(21) Appl. No.: **29/312,657**

(22) Filed: **Nov. 4, 2008**

**Related U.S. Application Data**

(63) Continuation-in-part of application No. 11/176,974,  
filed on Jul. 7, 2005, now Pat. No. 7,476,799.

(51) **LOC (9) Cl.** ..... **17-03**

(52) **U.S. Cl.** ..... **D17/20**

(58) **Field of Classification Search** ..... D17/22,  
D17/99, 20; 84/746, 694, 701, 453; D13/167  
See application file for complete search history.

(56) **References Cited**

**U.S. PATENT DOCUMENTS**

2,986,953 A	6/1961	De Armond et al. ....	74/478
3,974,461 A	8/1976	Luce .....	332/17
4,106,384 A	8/1978	Whittington et al. ....	84/1.19
4,144,790 A	3/1979	Suchoff .....	84/708
4,205,579 A	6/1980	Kakehashi .....	84/708
4,236,434 A	12/1980	Nishibe .....	84/1.19
4,384,505 A	5/1983	Cotton, Jr. et al. ....	84/708
4,631,033 A	12/1986	Menne et al. ....	440/7
4,631,034 A	12/1986	Menne et al. ....	440/7
4,649,785 A	3/1987	Chapman .....	84/1.19
4,939,501 A	7/1990	Weil .....	338/153
5,243,658 A	9/1993	Sakata .....	381/62
D345,756 S	4/1994	Clothier .....	D17/20
D362,278 S *	9/1995	Hayes .....	D14/419
5,659,145 A	8/1997	Weil .....	84/464 R
D391,923 S	3/1998	Tracey .....	D13/167
5,739,452 A	4/1998	Nagata .....	84/610
5,741,992 A	4/1998	Nagata .....	84/631
5,789,689 A	8/1998	Doidic et al. ....	84/603
D405,461 S	2/1999	Excellente .....	D17/99

(Continued)

**FOREIGN PATENT DOCUMENTS**

JP 08166786 A \* 6/1996

**OTHER PUBLICATIONS**

Author Unknown, DEJAVIBE2 and Tremulous Bear, Date  
Unknown, 1 page.

(Continued)

*Primary Examiner*—Ian Simmons  
*Assistant Examiner*—Rashida Johnson

(57) **CLAIM**

The ornamental design for a treadle, as shown and described.

**DESCRIPTION**

FIG. 1 is a perspective view of a treadle showing my new  
design;

FIG. 2 is a top plan view thereof;

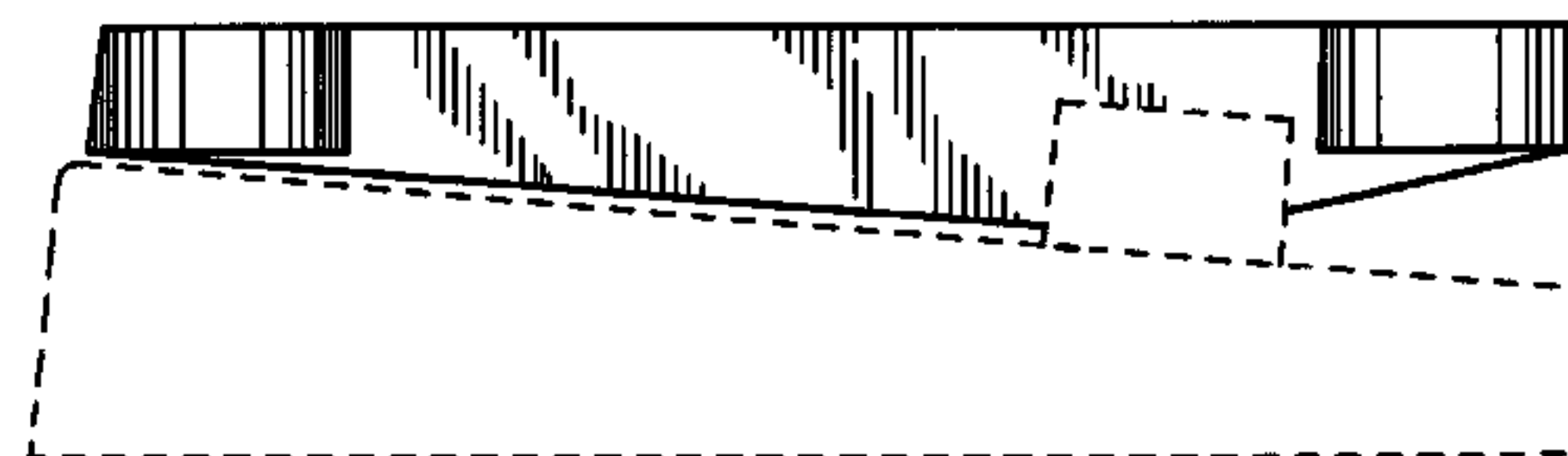
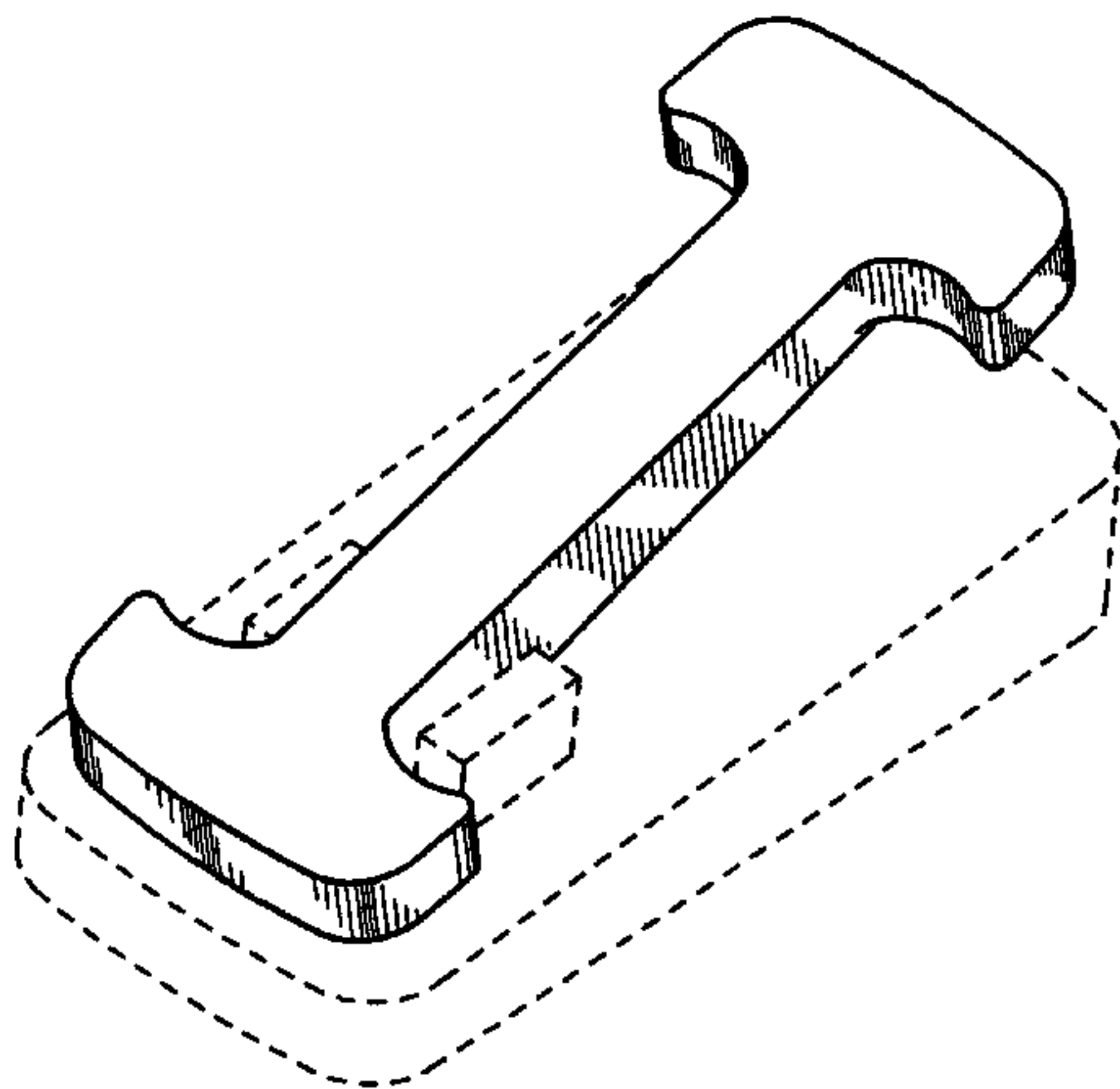
FIG. 3 is a bottom plan view thereof;

FIG. 4 is a left side elevational view thereof with the treadle in  
an “up” position, wherein the right elevational view is a  
mirror image of the left side; and,

FIG. 5 is a left side elevational view thereof with the treadle in  
a “down” position, wherein the right elevational view is a  
mirror image of the left side.

The broken lines in FIGS. 1-5 show environmental structure  
and form no part of the claimed design.

**1 Claim, 4 Drawing Sheets**



# US D624,112 S

Page 2

## U.S. PATENT DOCUMENTS

5,977,474	A	11/1999	O'Brien .....	84/735
5,978,045	A	11/1999	Mercs .....	348/578
5,981,862	A	11/1999	Geier, Jr. ....	84/746
6,664,460	B1	12/2003	Pennock et al. ....	84/662
6,881,891	B1	4/2005	Limacher et al. ....	84/662
6,998,528	B1	2/2006	Limacher et al. ....	84/662
7,005,571	B1	2/2006	Groff .....	84/645
7,026,539	B2	4/2006	Pennock et al. ....	84/662
7,476,799	B2 *	1/2009	Purchon et al. ....	84/746
2004/0159222	A1	8/2004	Pennock et al. ....	84/662
2004/0163528	A1	8/2004	Ludwig .....	84/645
2006/0011052	A1	1/2006	Purchon et al. ....	84/746
2006/0287855	A1	12/2006	Cemasov .....	704/248

## OTHER PUBLICATIONS

Author Unknown, Ibanez Weeping Demon Electronics WD-7, Date Unknown, 4 pages.

Author Unknown, Dunlop Univibe, From the Internet on May 20, 2009 and Aug. 13, 2009, 2 pages.

Author Unknown, Fulltone Deja'Vibe 2, From the Internet on Aug. 12, 2009 2 pages.

Author Unknown, Dunlop Rotovibe, From the Internet on Aug. 12, 2009 1 page.

Author Unknown, Boss FV 500L, From the Internet on May 20, 2009 2 pages.

Author Unknown, Emie Ball 6165, From the Internet on May 20, 2009 2 pages.

Author Unknown, Snarling Dogs Whin-O, From the Internet on May 20, 2009, 1 page.

Author Unknown, Rocktron Utopia, From the Internet on May 20, 2009 1 page.

Author Unknown, Boss FW-10 V Wah, From the Internet on May 20, 2009, 2 pages.

Author Unknown, Dunlop TVP-1, From the Internet on Aug. 12, 2009, 1 page.

\* cited by examiner

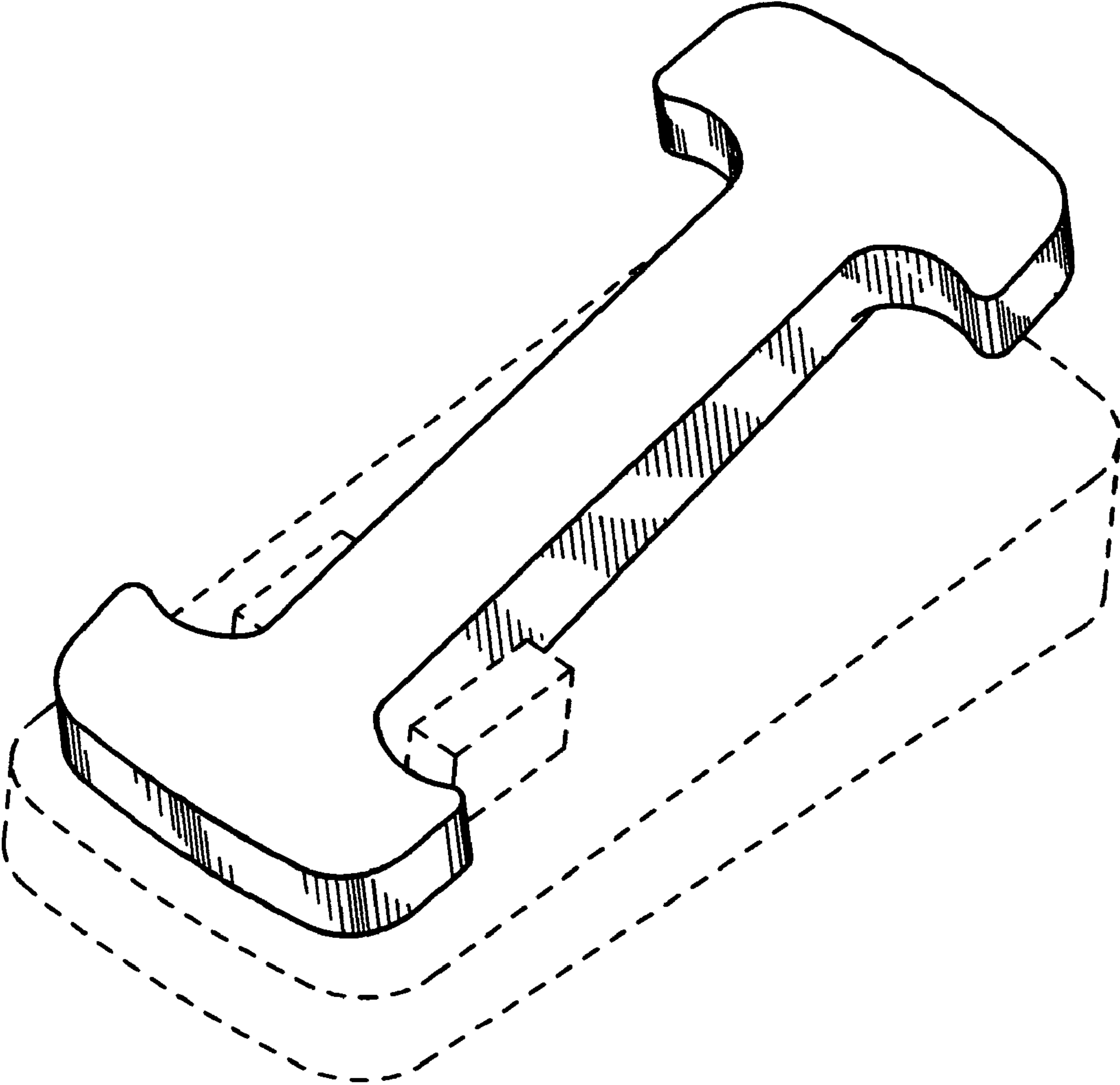


FIGURE 1

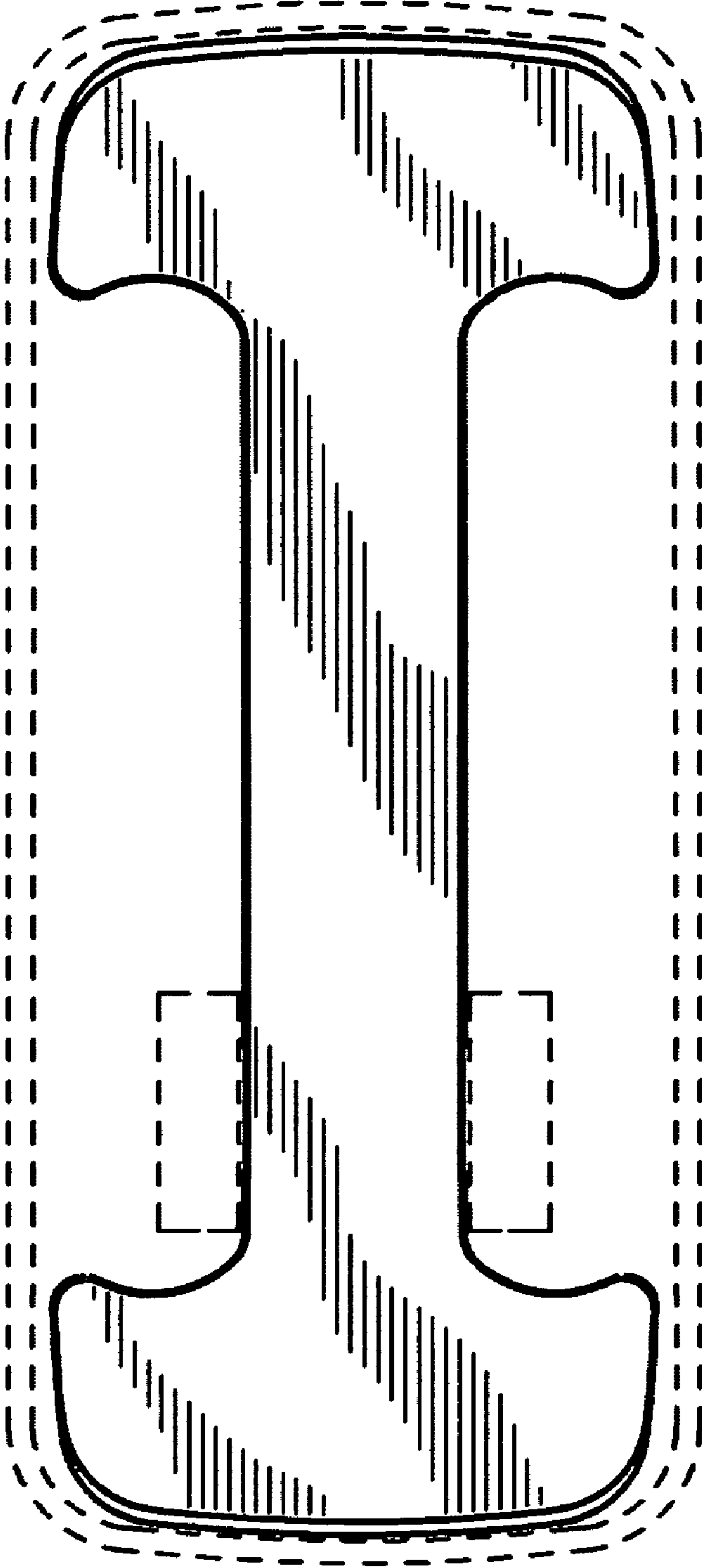
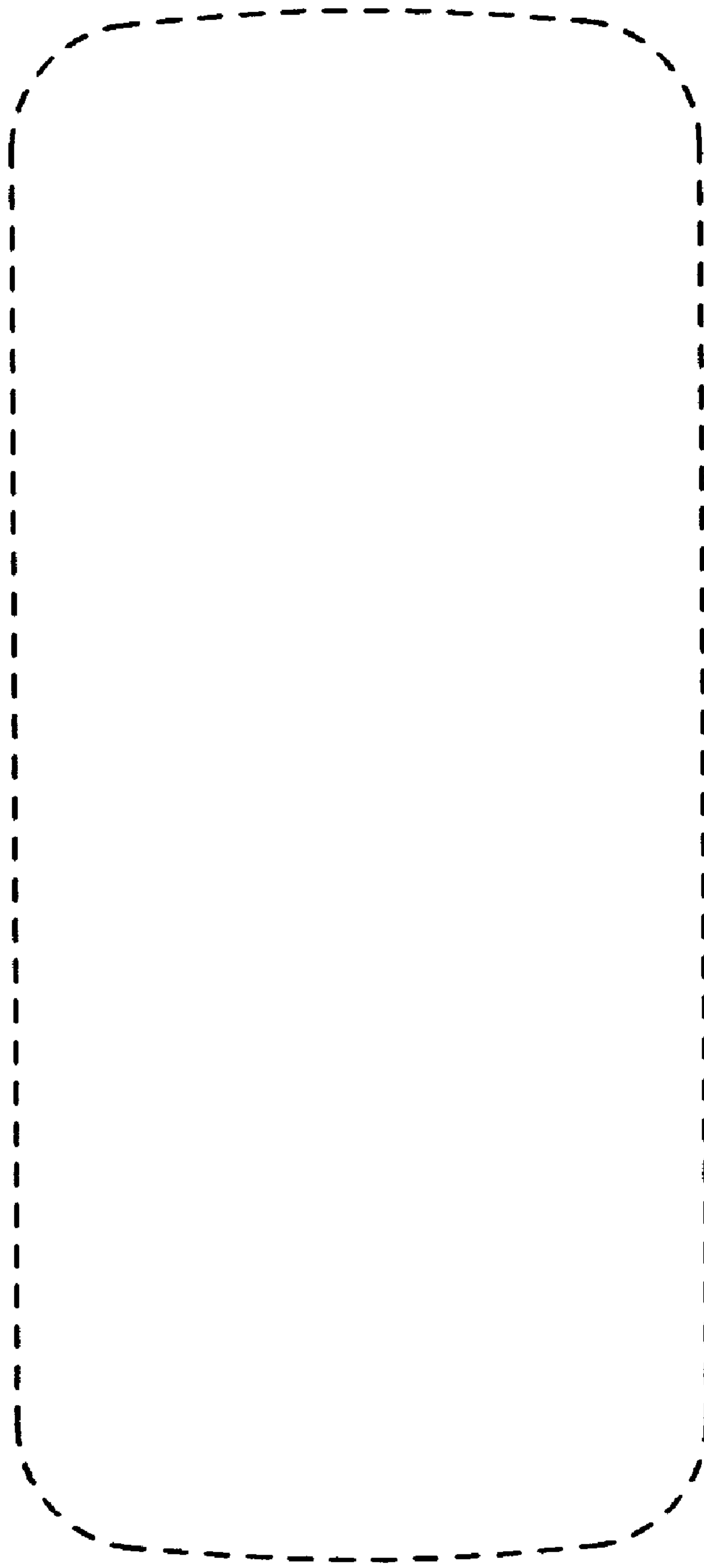


FIGURE 2



**FIGURE 3**

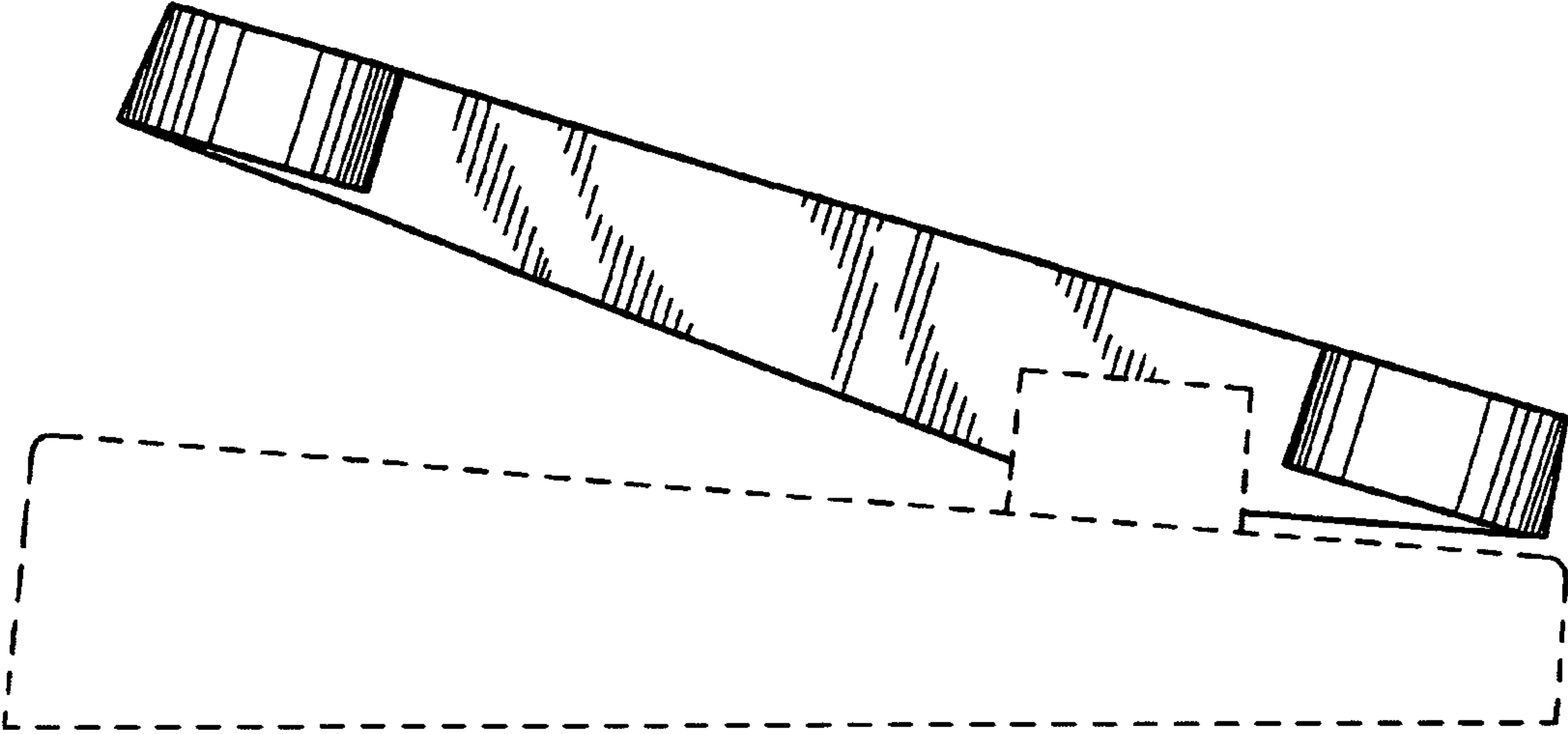


FIGURE 4

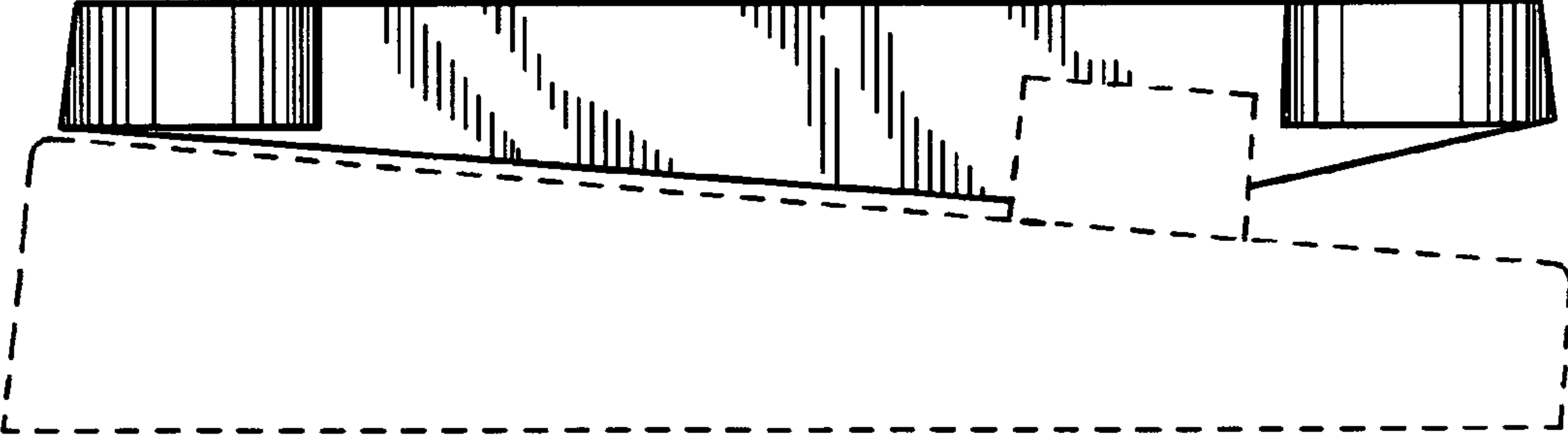


FIGURE 5