



US00D624110S

(12) **United States Design Patent**
Isozaki

(10) **Patent No.:** **US D624,110 S**
(45) **Date of Patent:** **** *Sep. 21, 2010**

(54) **GRIP FOR TELEVISION CAMERA LENS**

(75) Inventor: **Makoto Isozaki**, Tokyo (JP)

(73) Assignee: **Fujinon Corporation**, Saitama-Shi (JP)

(**) Term: **14 Years**

(21) Appl. No.: **29/336,204**

(22) Filed: **Apr. 29, 2009**

(30) **Foreign Application Priority Data**

Nov. 6, 2008 (JP) 2008-028482

(51) **LOC (9) Cl.** **16-05**

(52) **U.S. Cl.** **D16/243; D16/136**

(58) **Field of Classification Search** D16/136,
D16/200, 202-206, 208, 219, 237, 242, 243;
224/908; 352/243; 396/423, 424
See application file for complete search history.

(56) **References Cited**

U.S. PATENT DOCUMENTS

4,757,335	A *	7/1988	Muryoi et al.	396/423
D330,904	S *	11/1992	Sasaki	D16/243
5,343,263	A *	8/1994	Takemae et al.	396/535
D401,264	S *	11/1998	Miyamoto	D16/243
D407,732	S *	4/1999	Miyamoto	D16/243
D469,792	S *	2/2003	Kawashima	D16/134
D615,118	S *	5/2010	Isozaki	D16/243

OTHER PUBLICATIONS

DVCPRO HD camera recorder AJ-HDX400 published by Panasonic Corporation (ex-Matsushita Electric Industrial Co. Ltd), which was

received by JPO Design Division on Feb. 10, 2005. (JPO Design Division Prior Art Ref. No. HC17004407).

Office Action dated Jun. 10, 2009 issued in corresponding Japanese application No. 2008-028482 with English translation.

* cited by examiner

Primary Examiner—Adir Aronovich

(74) *Attorney, Agent, or Firm*—Birch, Stewart, Kolasch & Birch, LLP

(57) **CLAIM**

The ornamental design for a grip for television camera lens, as shown and described.

DESCRIPTION

FIG. 1 is a top, front and left side perspective view of a grip for television camera lens showing my new design;

FIG. 2 is a top, front and right side perspective view thereof;

FIG. 3 is a front elevational view thereof

FIG. 4 is a rear elevational view thereof;

FIG. 5 is a top plan view thereof;

FIG. 6 is a bottom plan view thereof;

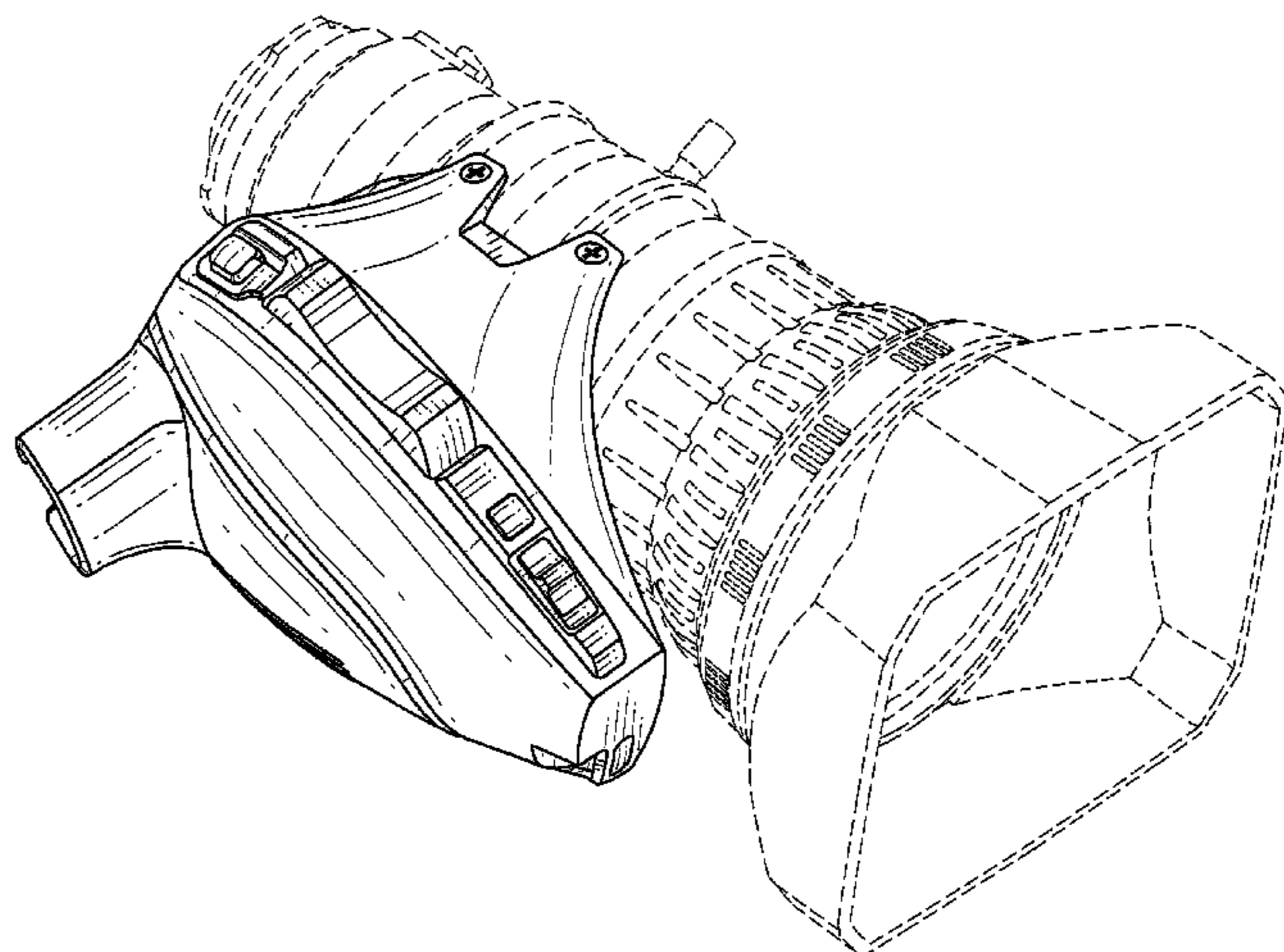
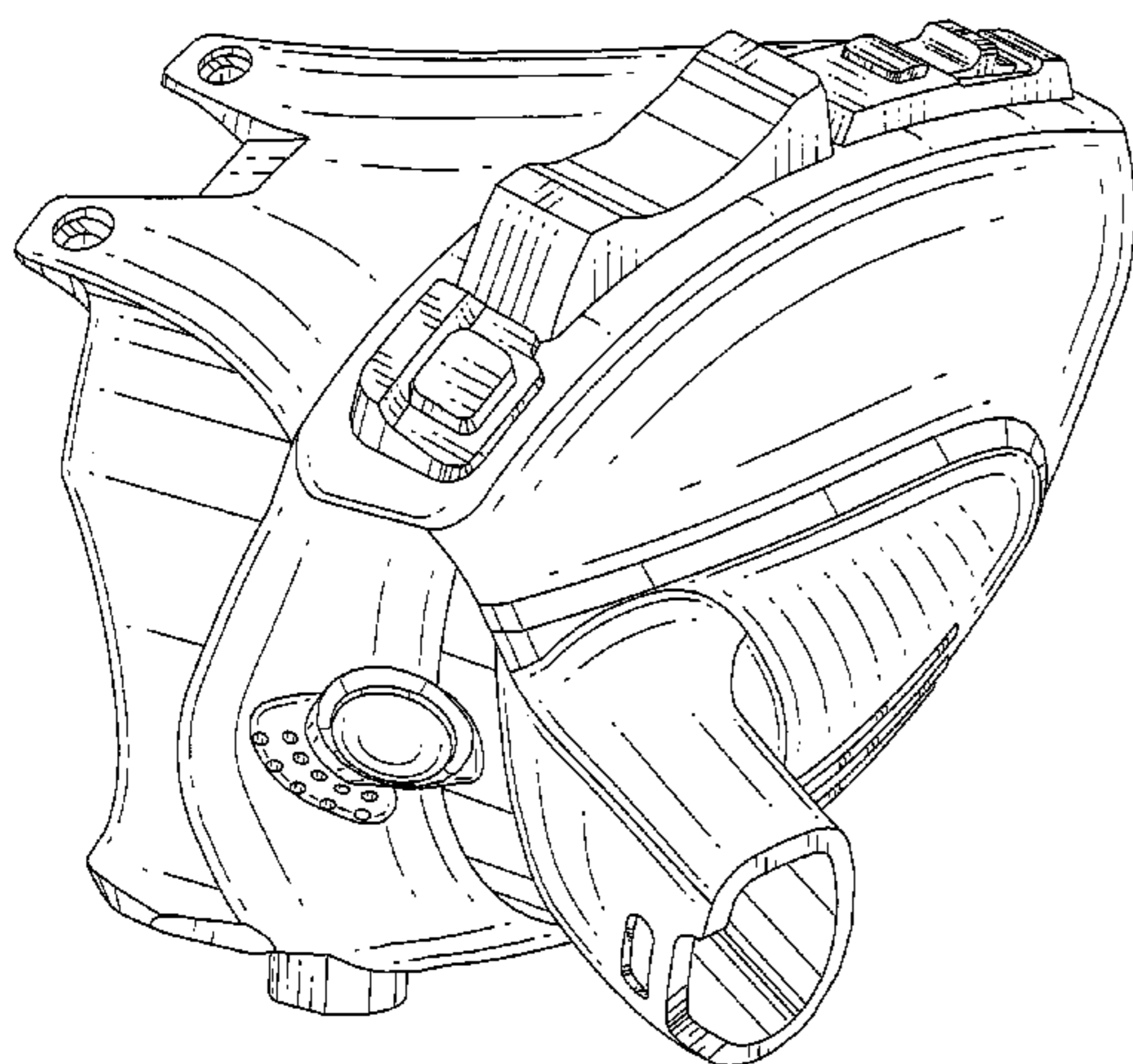
FIG. 7 is a left side elevational view thereof;

FIG. 8 is a right side elevational view thereof; and,

FIG. 9 is a reduced top, front and right side perspective view showing the grip being attached to a television camera lens.

The broken line portion depicting a camera lens in FIG. 9 is shown to illustrate environment only and form no part of the claimed design.

1 Claim, 9 Drawing Sheets



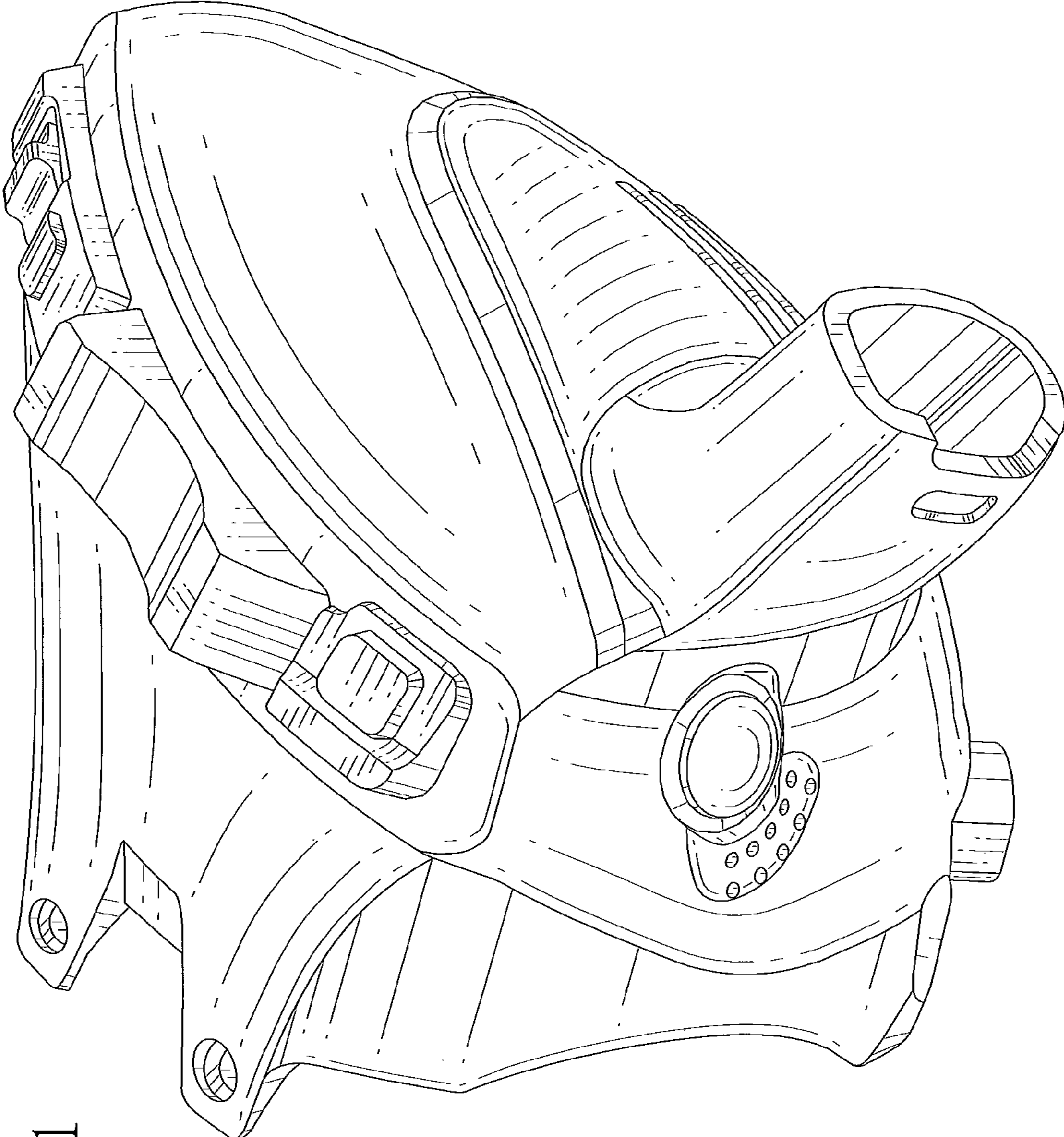


FIG. 1

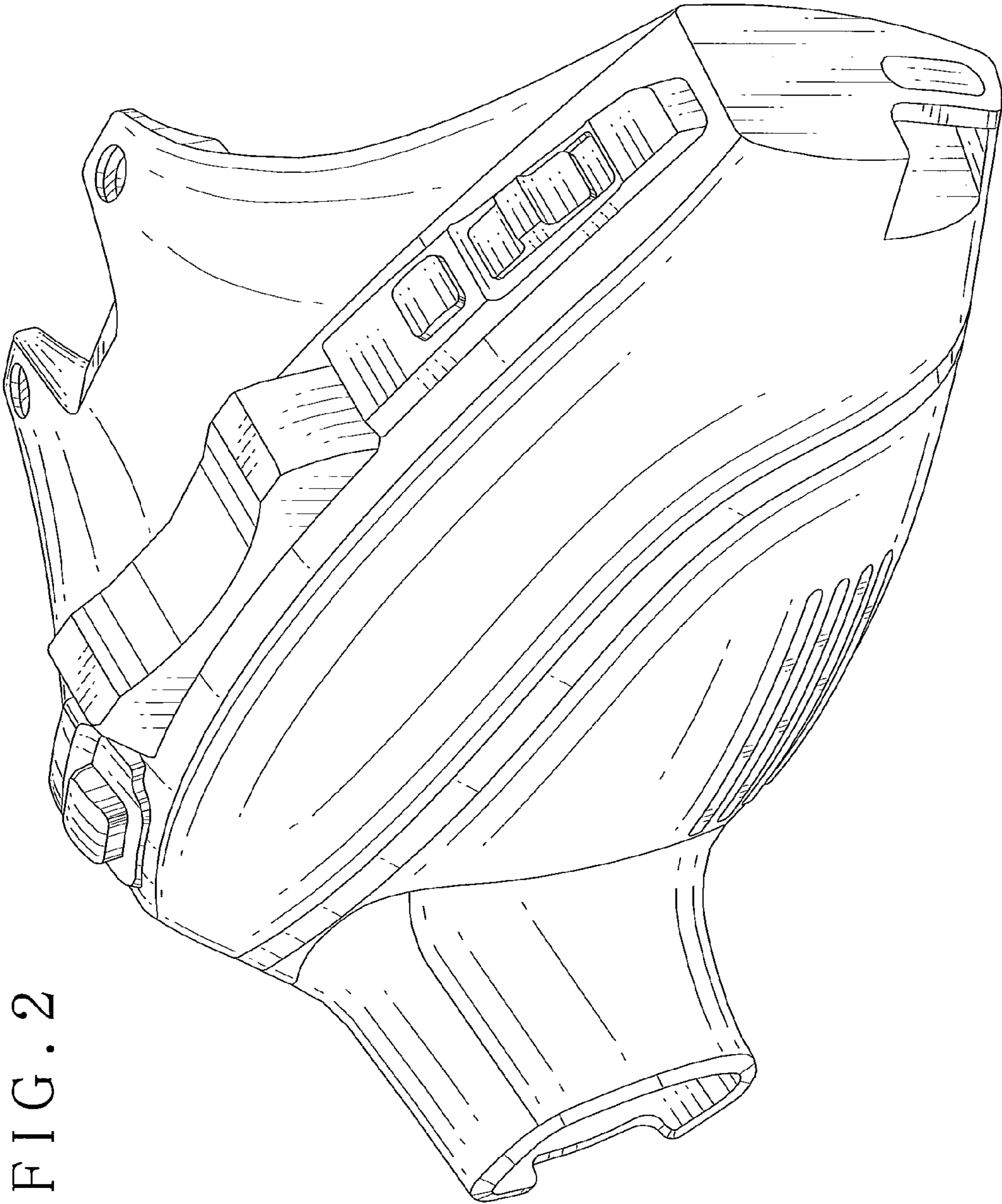
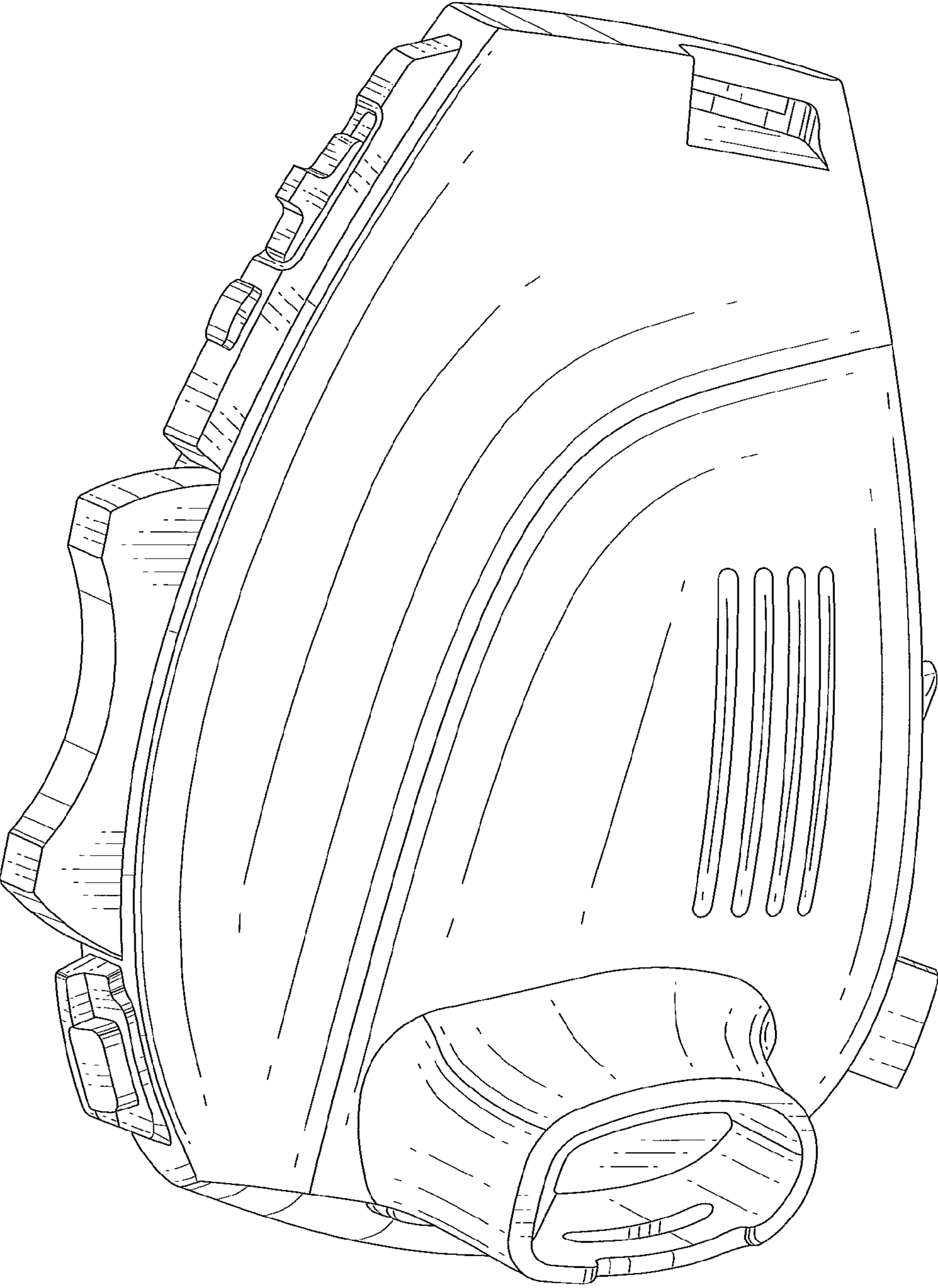


FIG. 2

FIG. 3



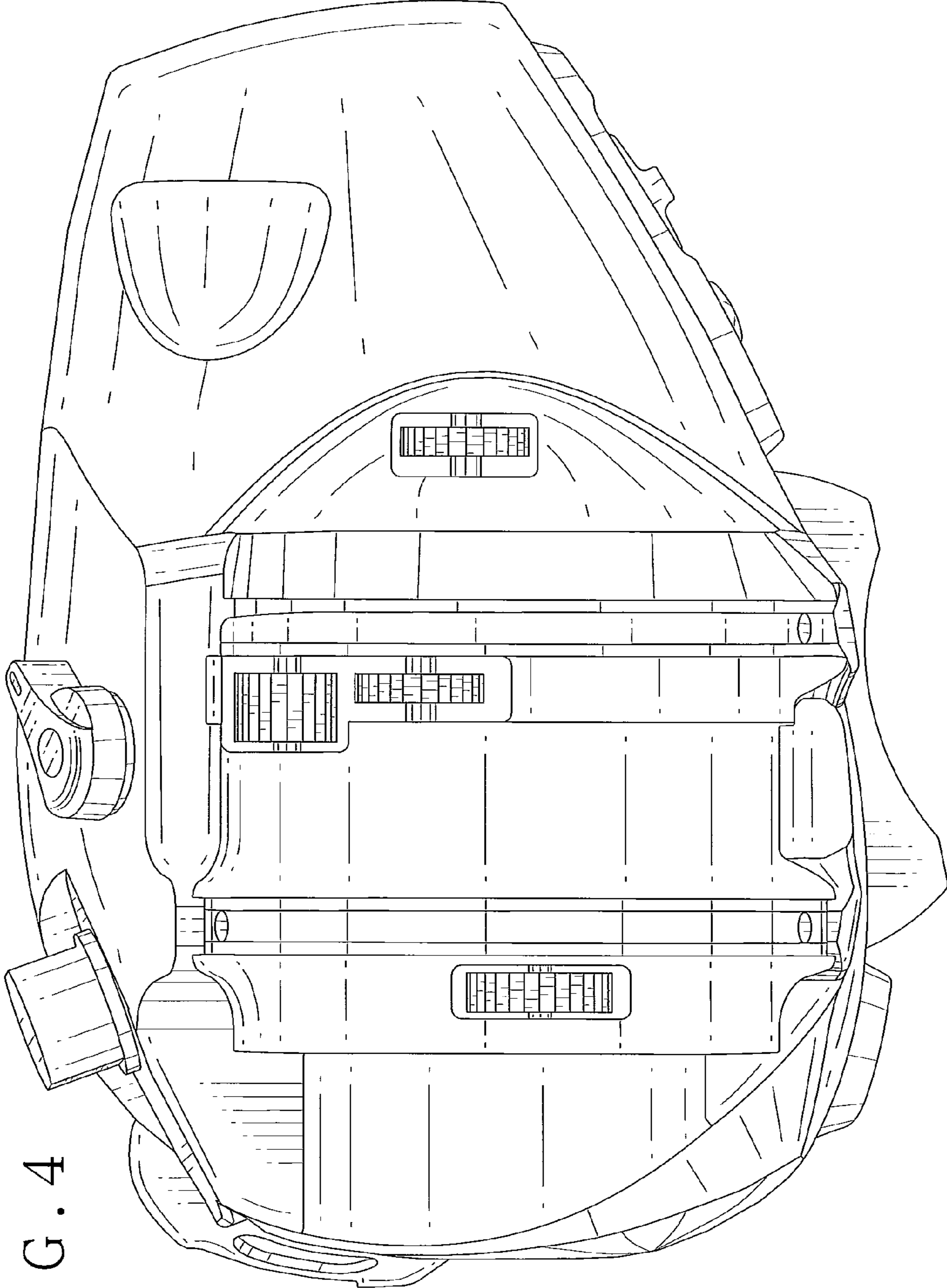


FIG. 4

FIG. 5

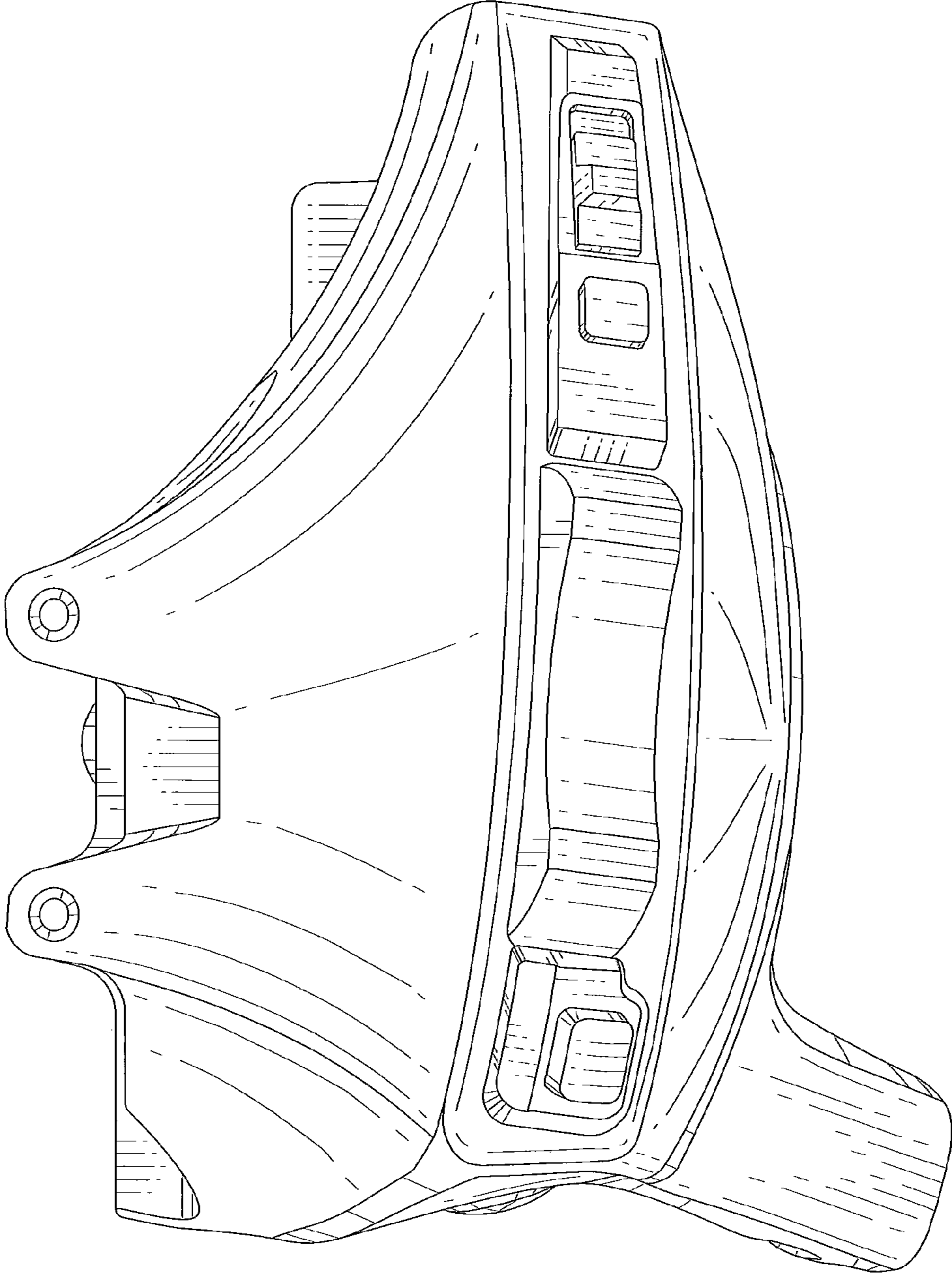


FIG. 6

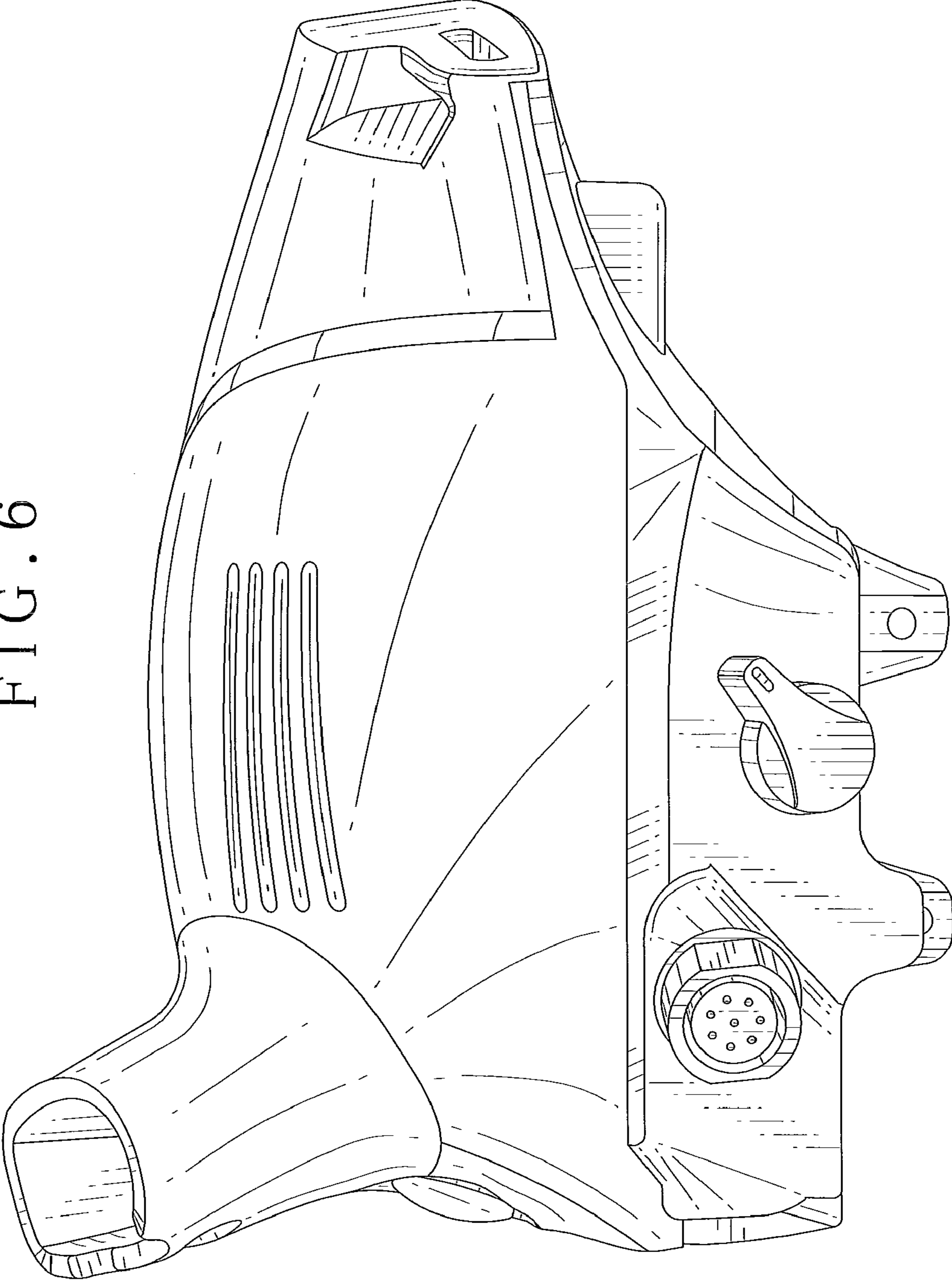


FIG. 7

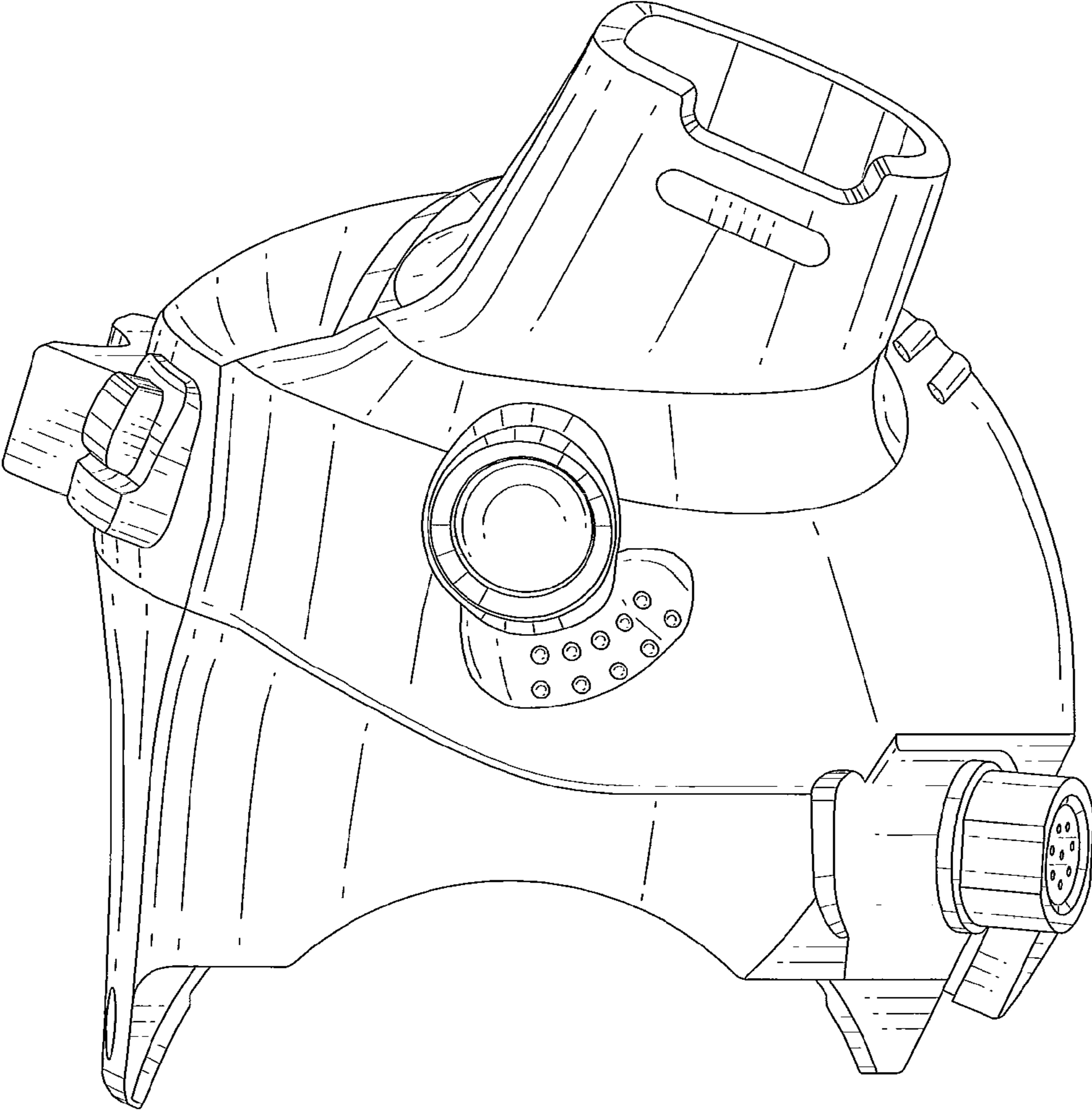
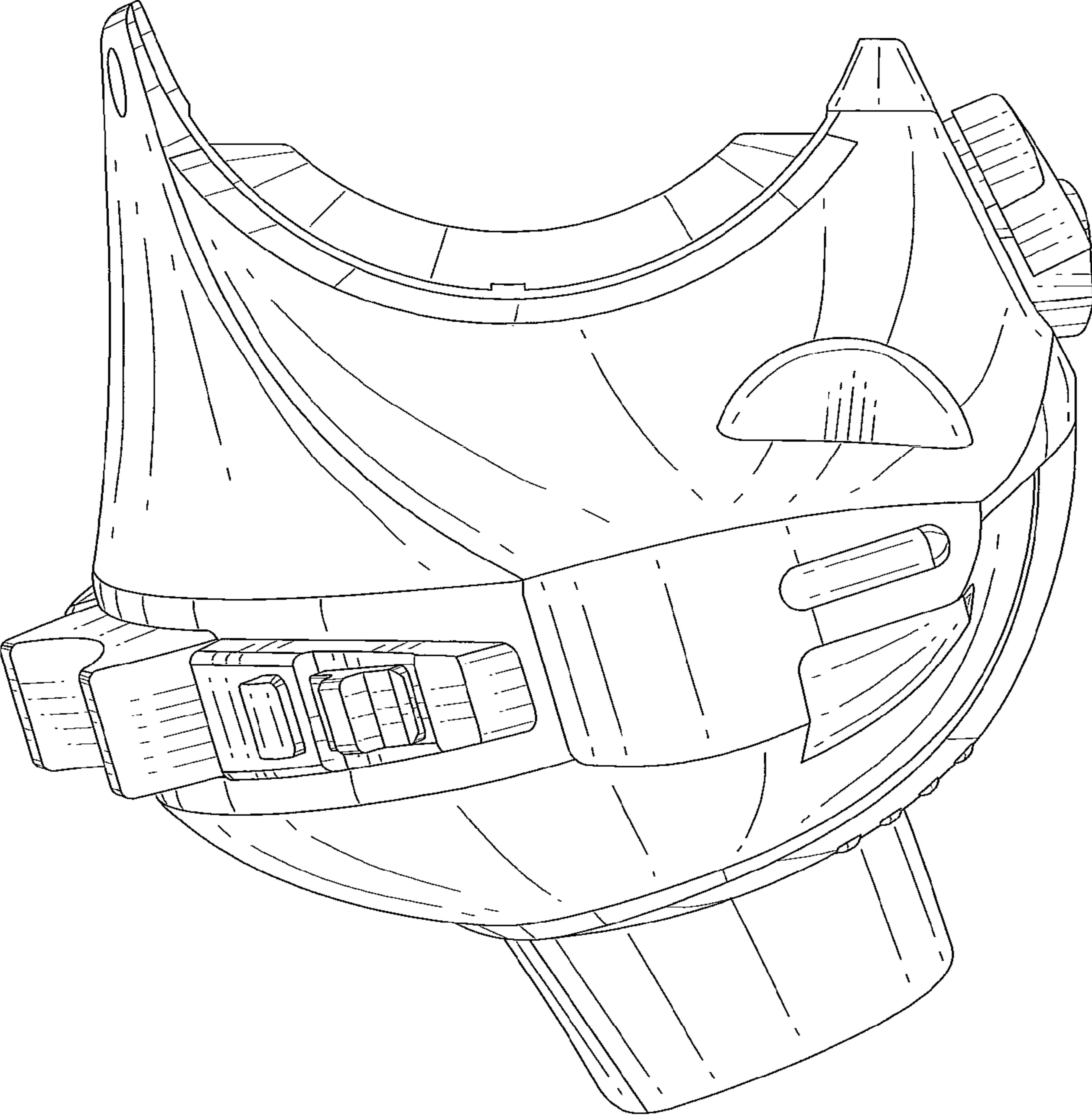


FIG. 8



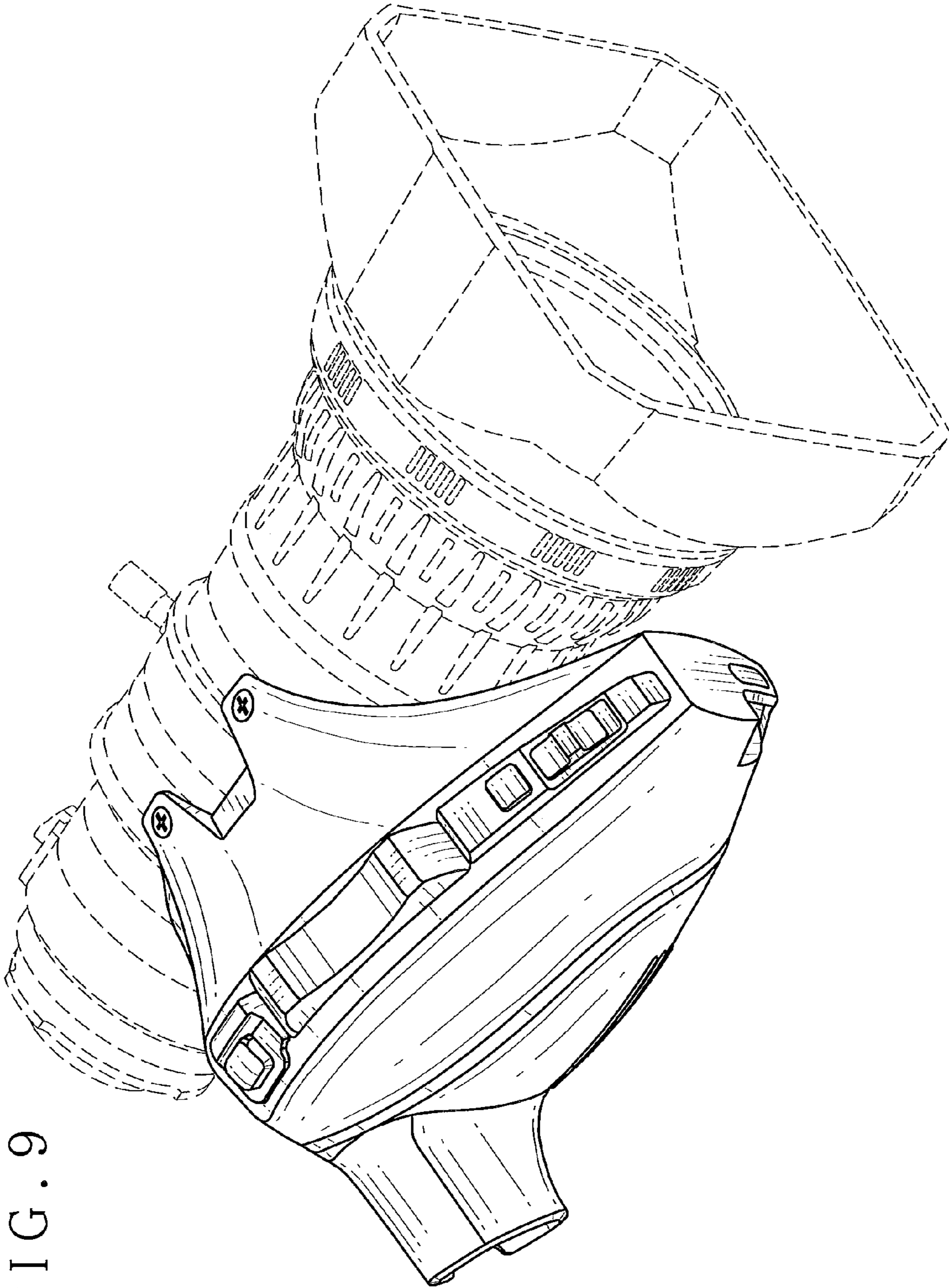


FIG. 9