



US00D624109S

(12) **United States Design Patent**  
**Wang et al.**

(10) **Patent No.:** **US D624,109 S**  
(45) **Date of Patent:** **\*\* Sep. 21, 2010**

(54) **ELECTRONIC CAMERA BASE**

7,736,071 B2 \* 6/2010 Wahl et al. .... 396/419

(75) Inventors: **Hua Wang**, Redmond, WA (US); **Young Soo Kim**, Bellevue, WA (US);  
**Katherine Bailey**, Seattle, WA (US);  
**Ralf Groene**, Kirkland, WA (US)

\* cited by examiner

*Primary Examiner*—Adir Aronovich  
(74) *Attorney, Agent, or Firm*—Banner & Witcoff, Ltd.

(73) Assignee: **Microsoft Corporation**, Redmond, WA (US)

(57) **CLAIM**

The ornamental design for an electronic camera base, as shown and described.

(\*\*) Term: **14 Years**

**DESCRIPTION**

(21) Appl. No.: **29/346,969**

FIG. 1 is a front perspective view of an electronic camera base showing our new design;

(22) Filed: **Nov. 9, 2009**

FIG. 2 is a front view thereof;

(51) **LOC (9) Cl.** ..... **16-05**

FIG. 3 is a rear side view thereof;

(52) **U.S. Cl.** ..... **D16/242**

FIG. 4 is a left side view thereof;

(58) **Field of Classification Search** ..... D16/200,  
D16/202–205, 208, 211, 218, 242; 248/121,  
248/278.1, 918; 348/373, 375; 396/419,  
396/428

FIG. 5 is a right side view thereof;

FIG. 6 is a top view thereof

FIG. 7 is a bottom view thereof;

See application file for complete search history.

FIG. 8 is a perspective view of the electronic camera base of FIGS. 1-7 shown in an alternative configuration;

FIG. 9 is a front view thereof;

FIG. 10 is a rear view thereof;

FIG. 11 is a left side view thereof;

FIG. 12 is a right side view thereof;

FIG. 13 is a top view thereof; and,

FIG. 14 is a bottom view thereof.

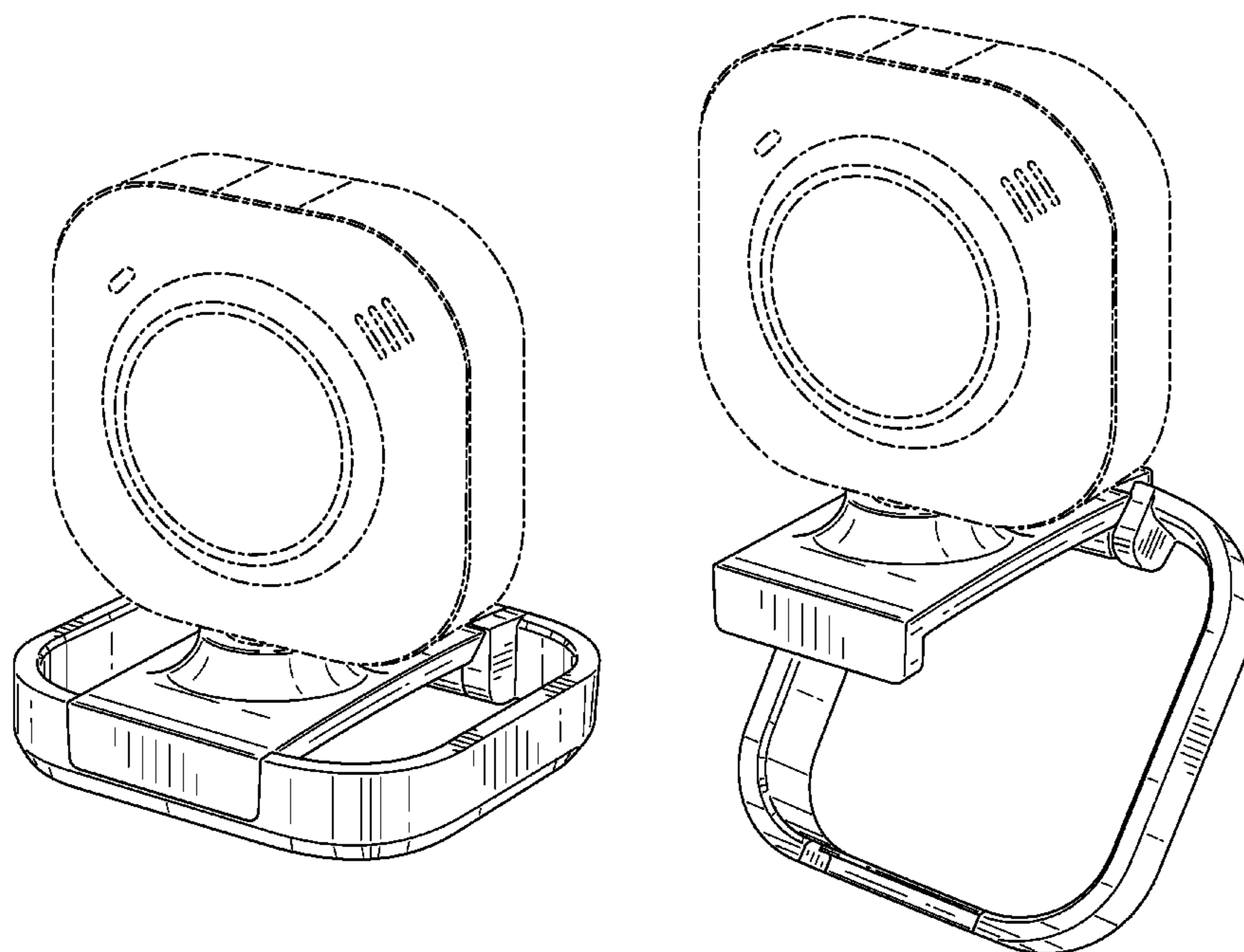
The broken line showing of various regions in the figures, including the camera body represents disclaimed environmental structure and forms no part of the claimed design.

(56) **References Cited**

**U.S. PATENT DOCUMENTS**

D396,869 S *	8/1998	Yamakawa et al. ....	D16/202
D426,249 S *	6/2000	Tsujimoto .....	D16/202
D454,146 S *	3/2002	Mori .....	D16/202
D529,533 S *	10/2006	Oh et al. ....	D16/242
D536,719 S *	2/2007	Lukic et al. ....	D16/202
D551,276 S *	9/2007	Lau .....	D16/242
D557,320 S *	12/2007	Fisher et al. ....	D16/242
D564,004 S *	3/2008	Ikeda et al. ....	D16/202
D590,000 S *	4/2009	Kellar .....	D16/242
D592,234 S	5/2009	Kim et al.	
D595,328 S	6/2009	Kim et al.	
D614,223 S *	4/2010	Kim et al. ....	D16/211

**1 Claim, 14 Drawing Sheets**



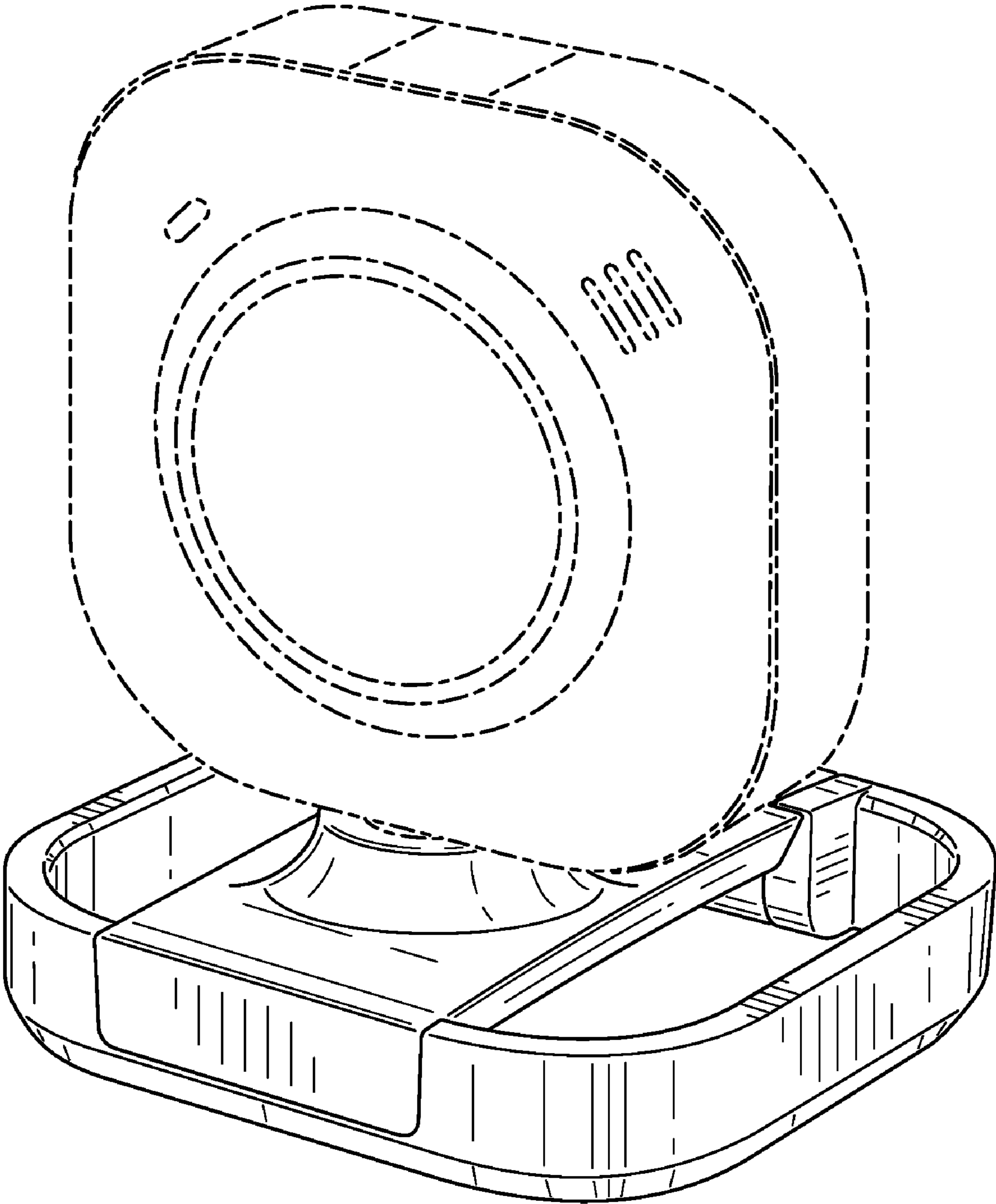


FIG. 1

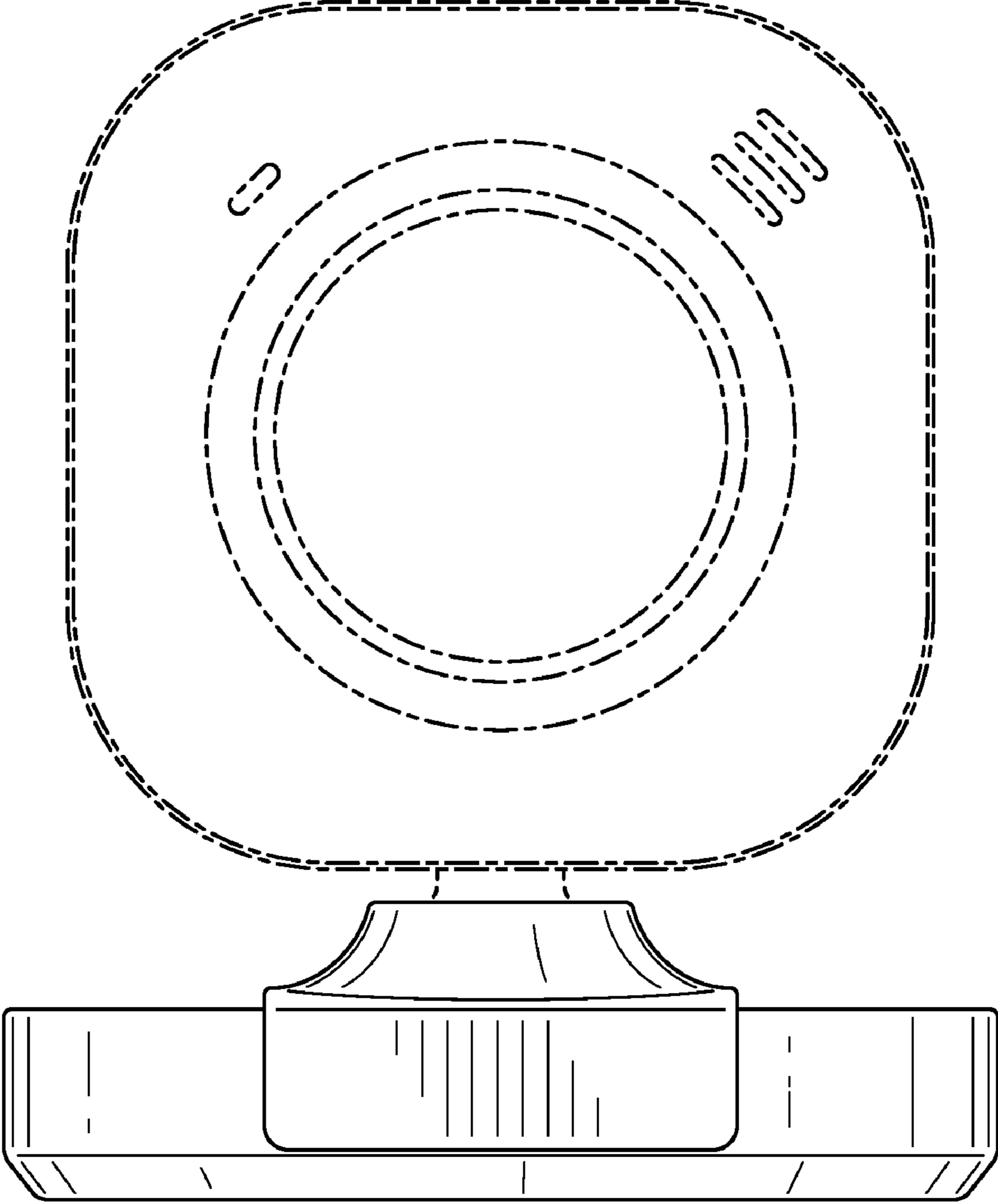


FIG. 2

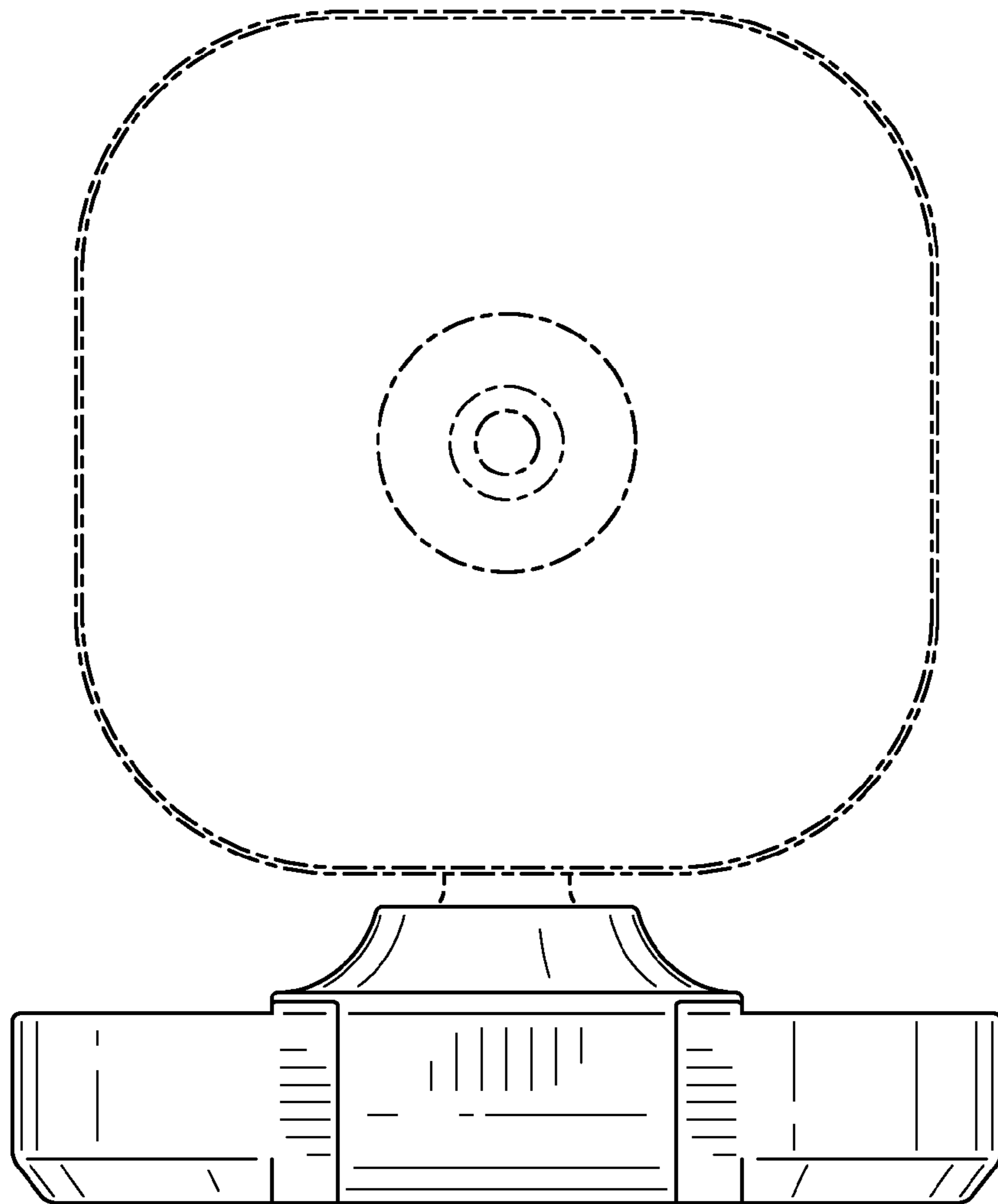


FIG. 3

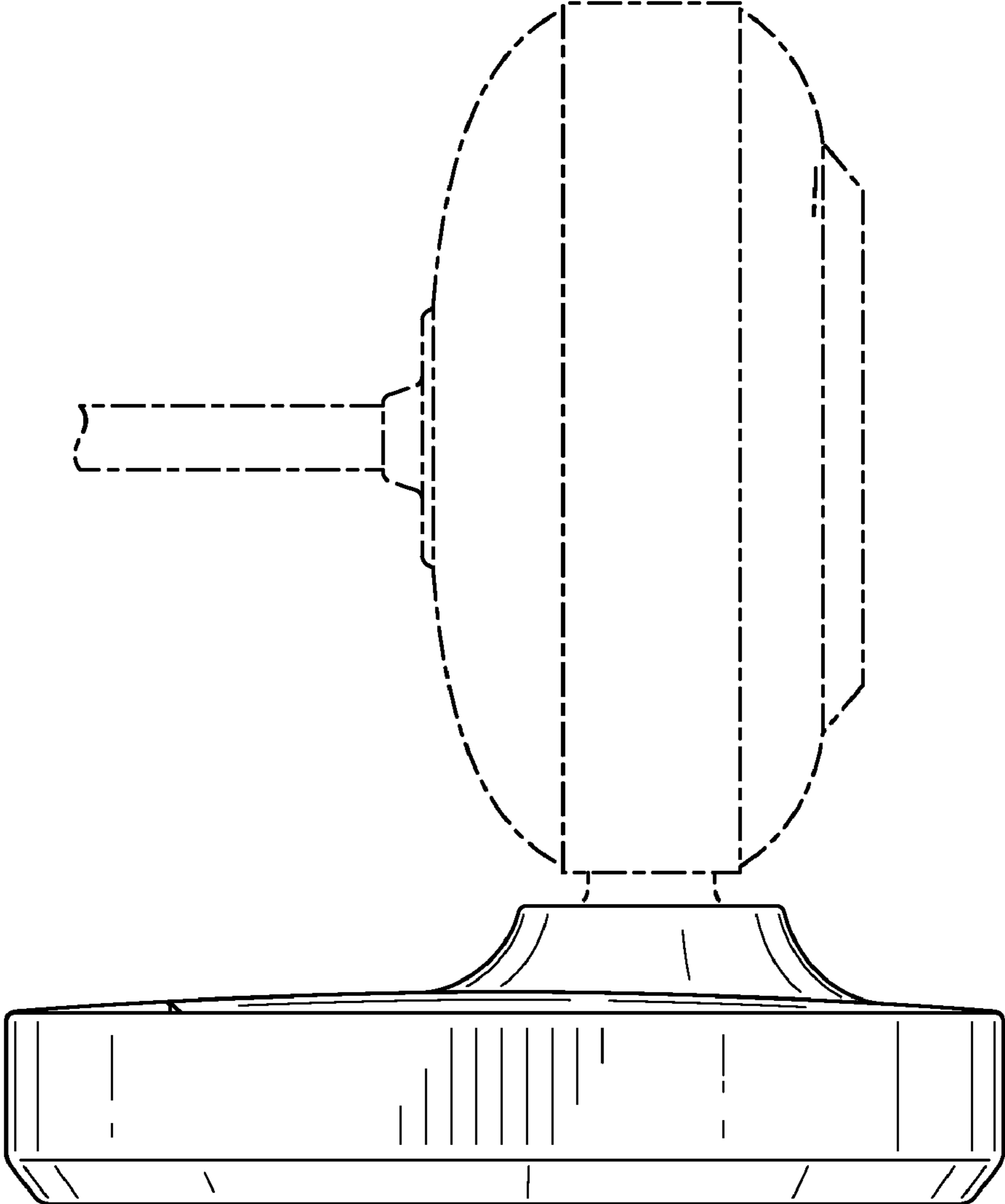


FIG. 4

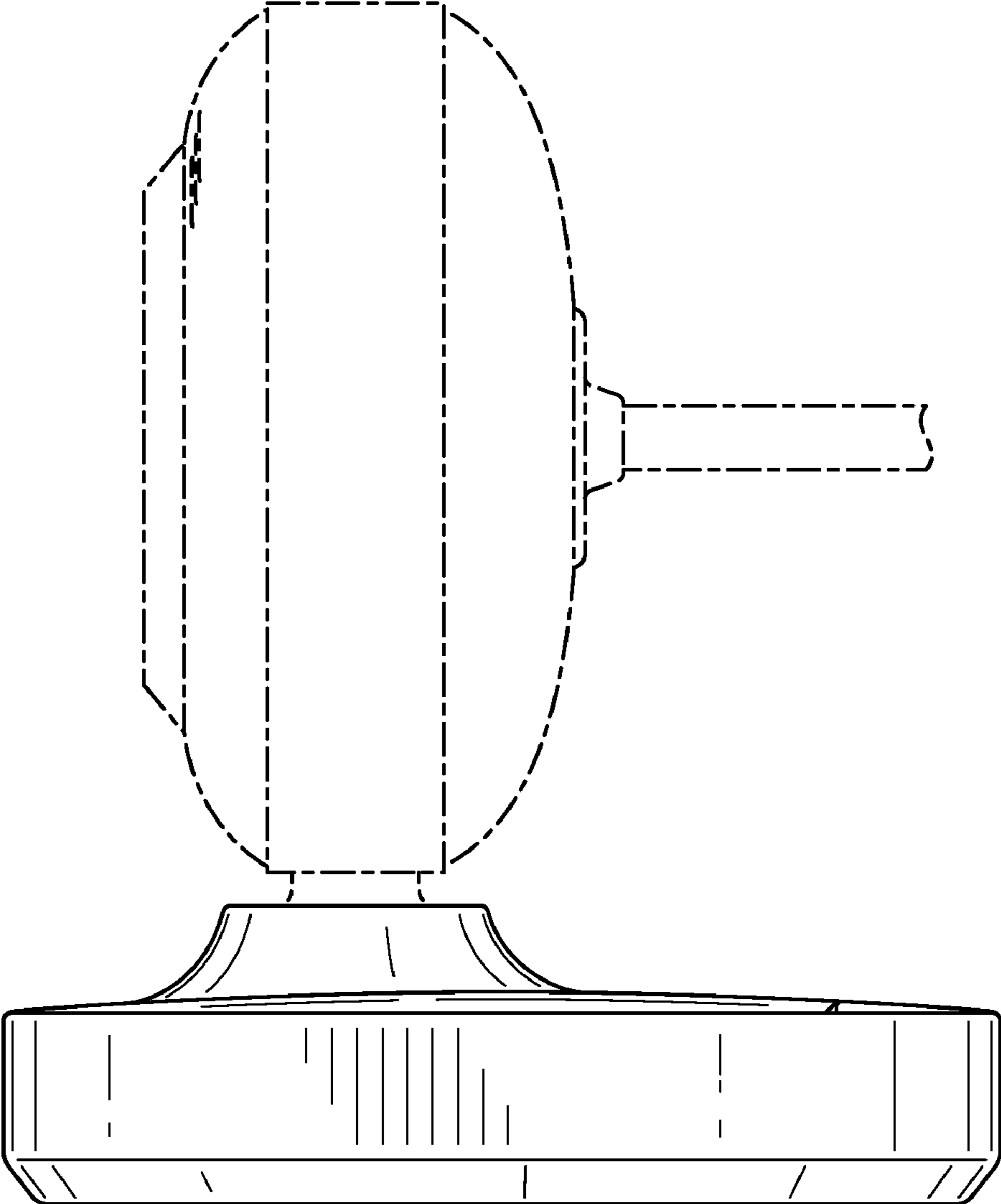


FIG. 5

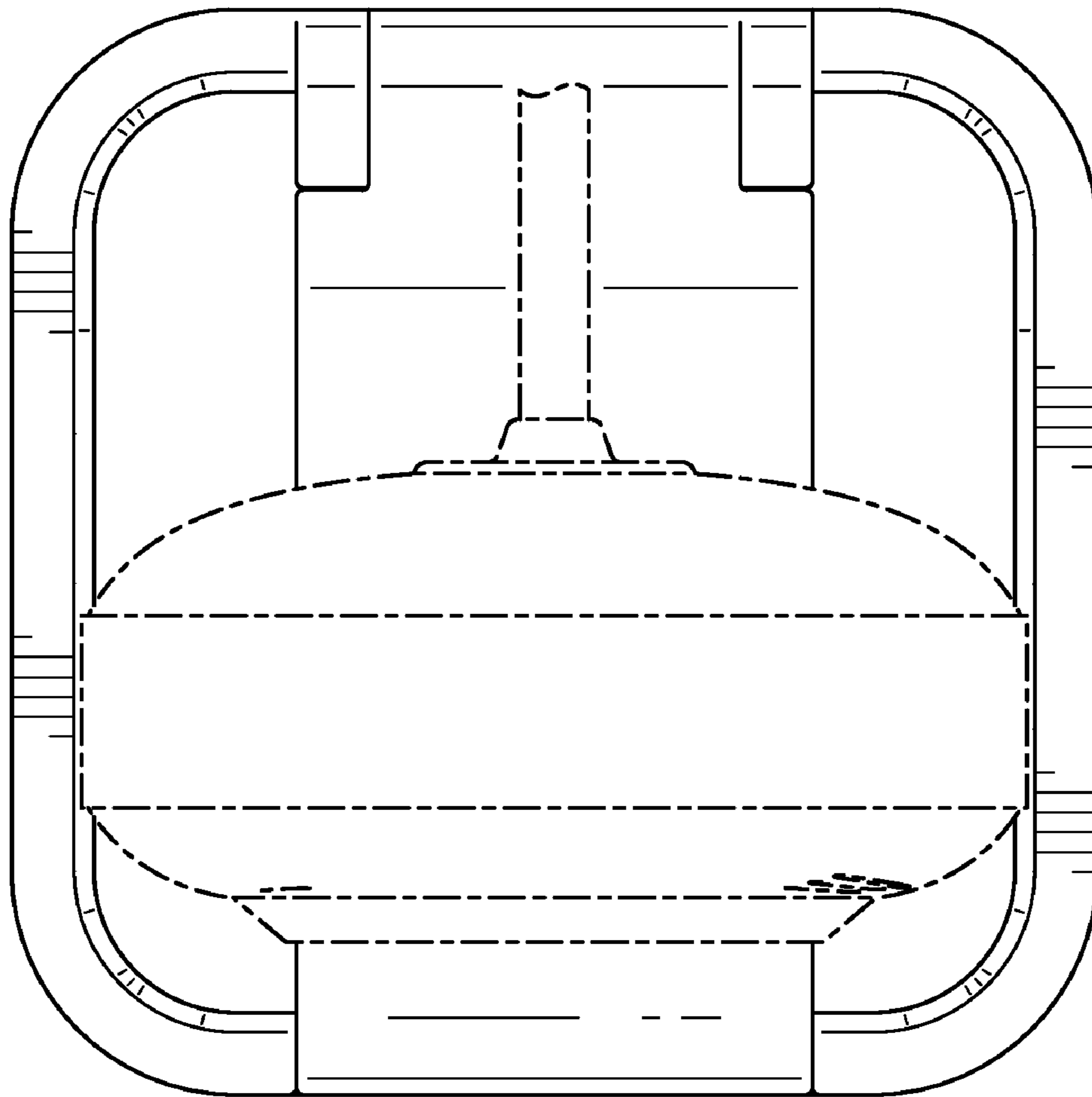


FIG. 6

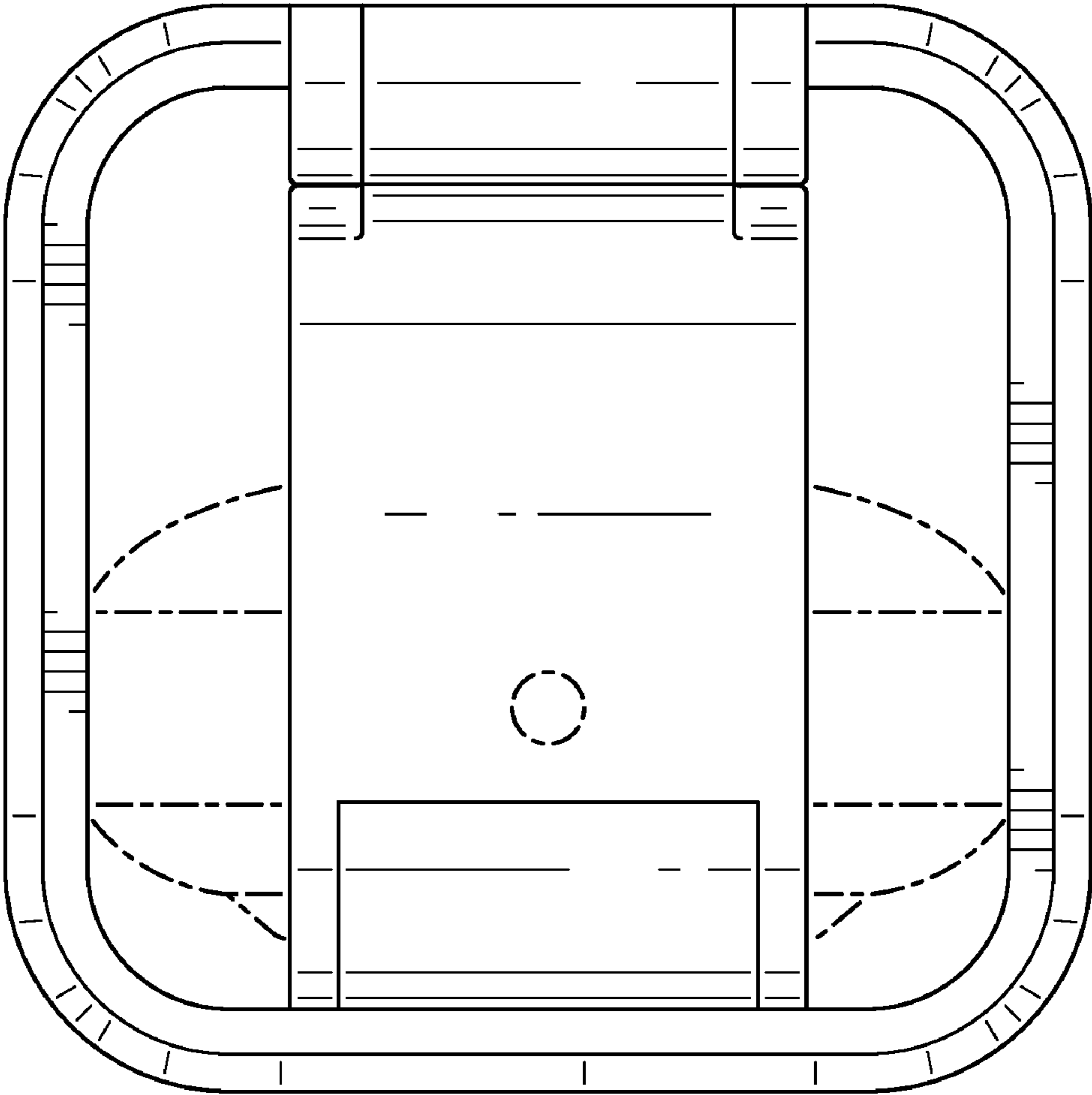


FIG. 7



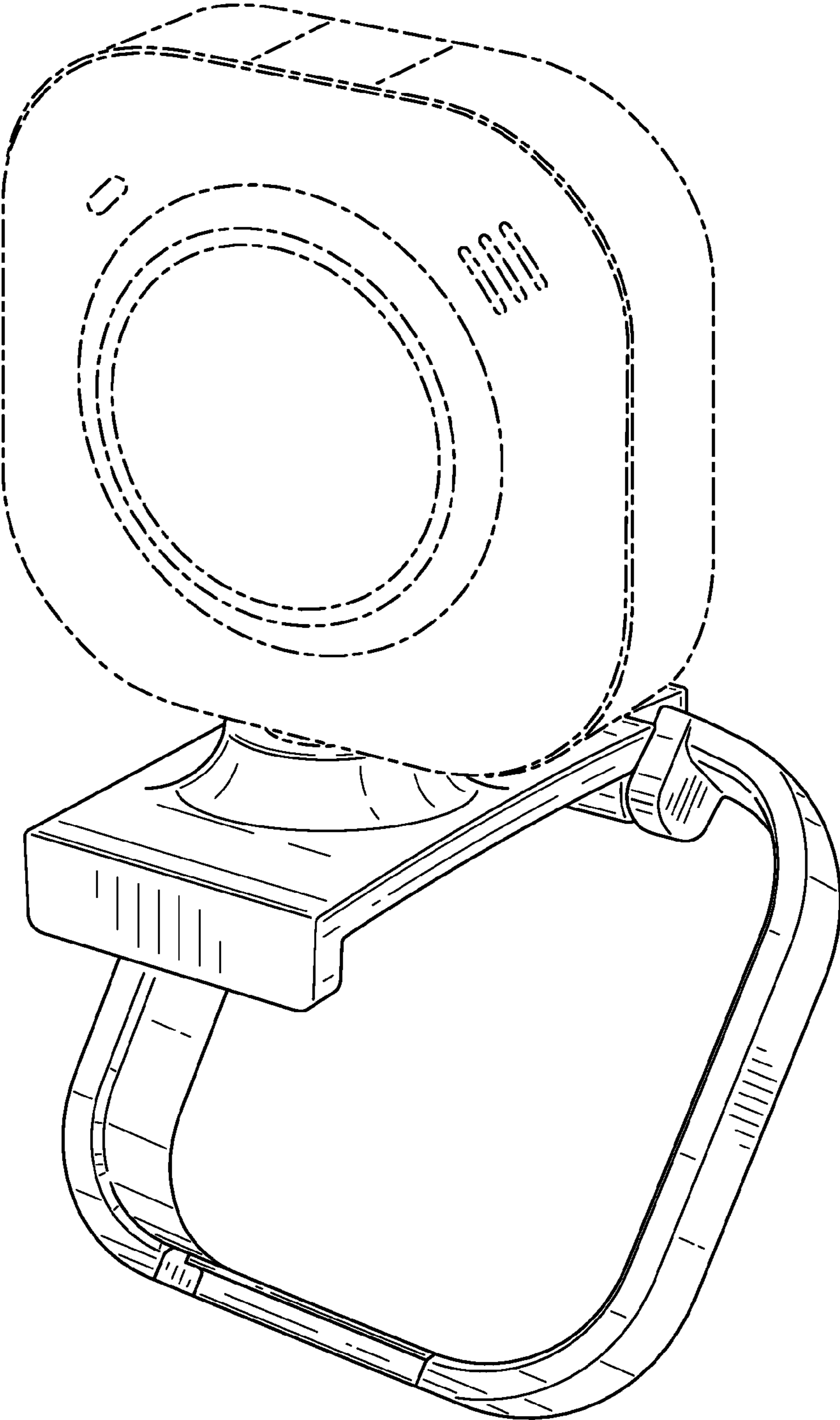


FIG. 8

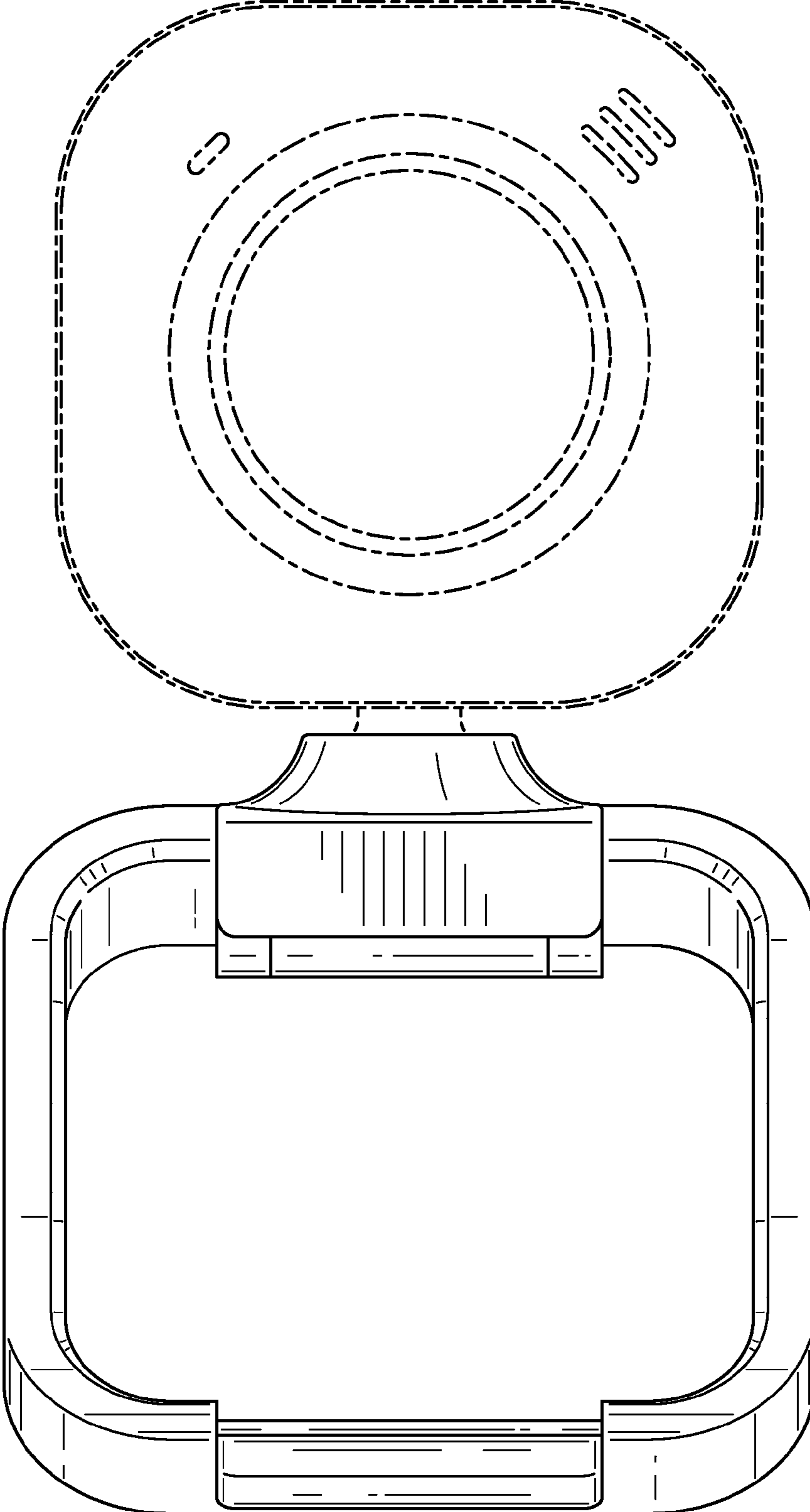


FIG. 9

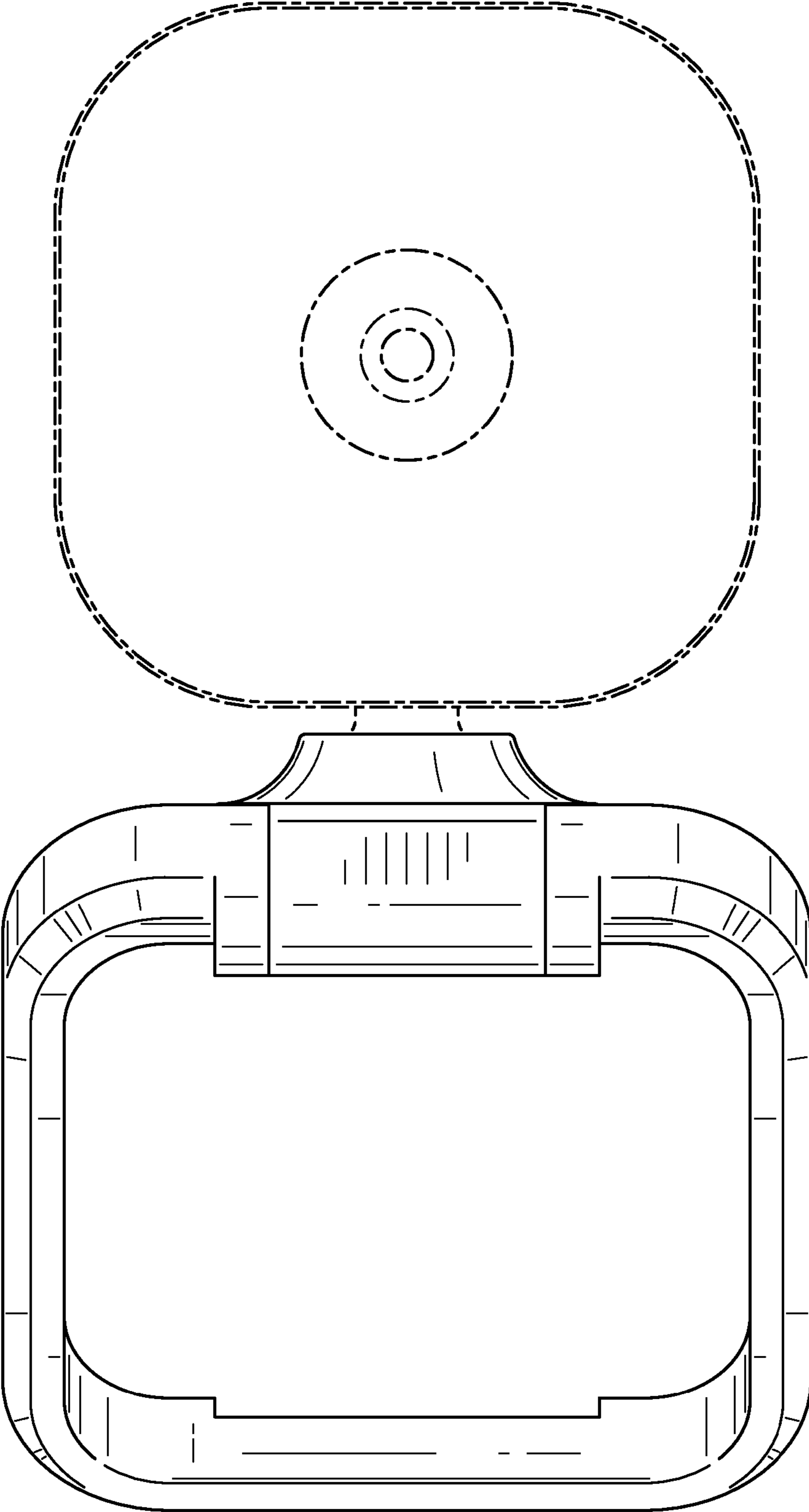


FIG. 10

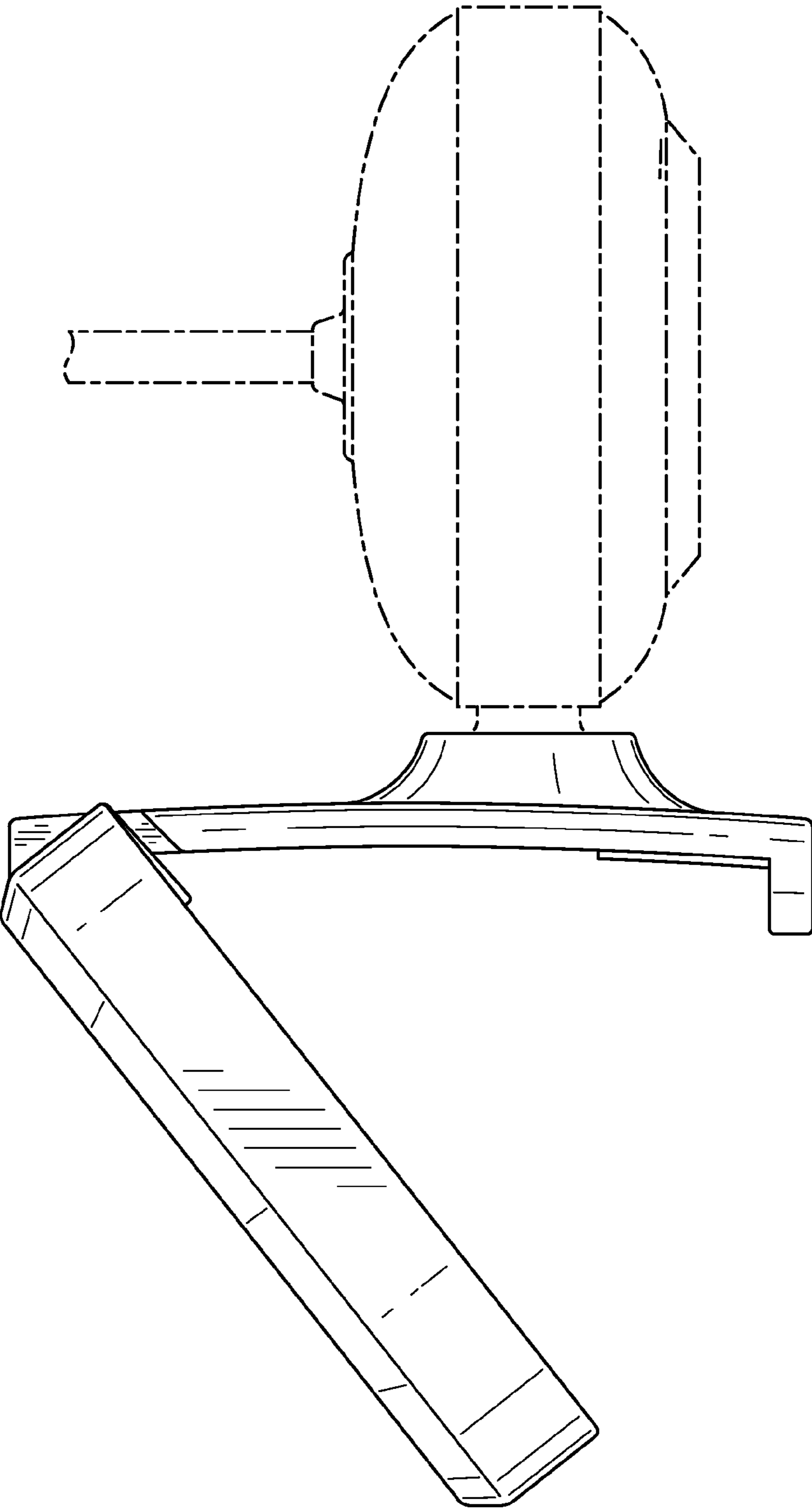


FIG. 11

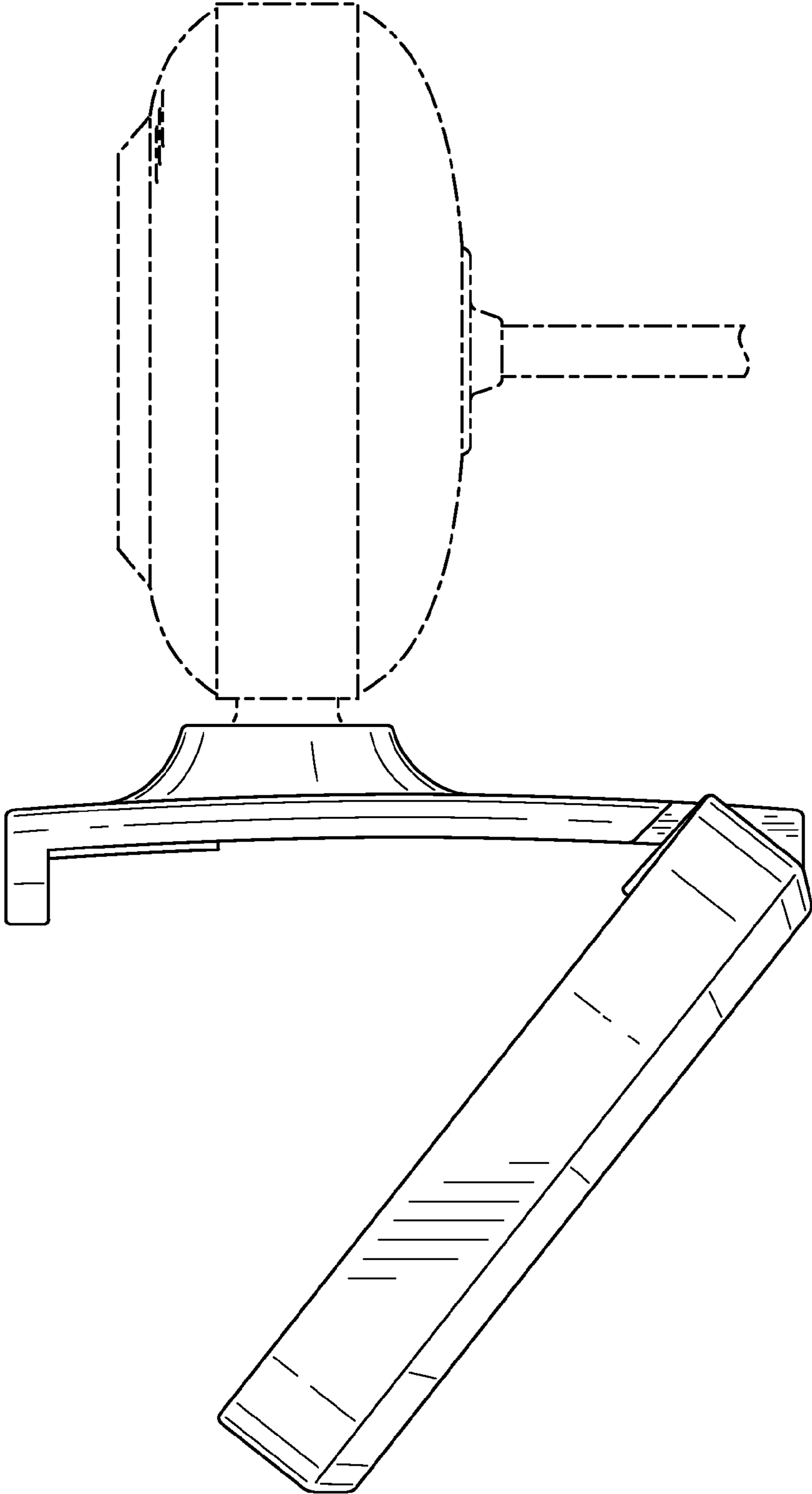


FIG. 12

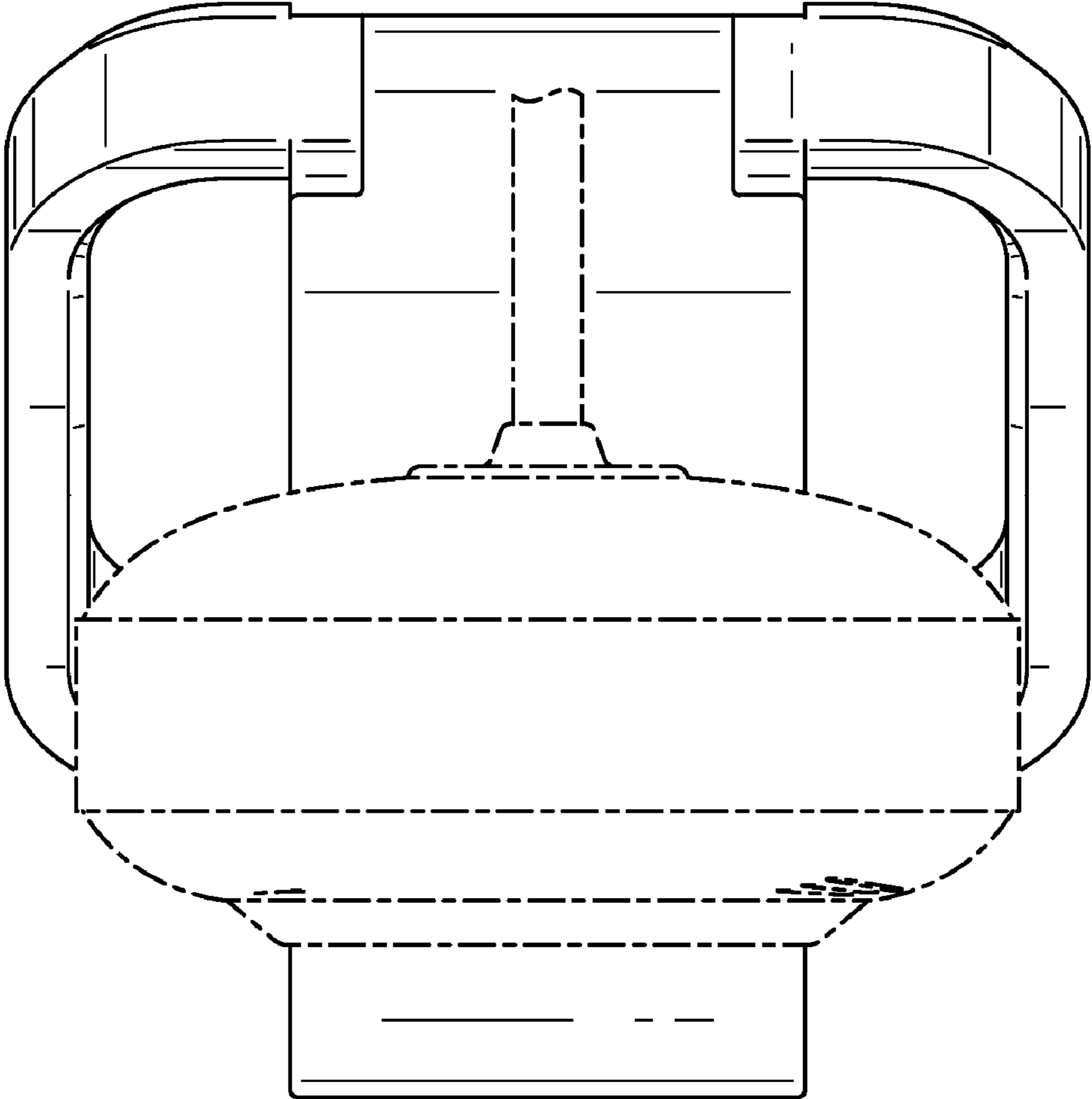


FIG. 13

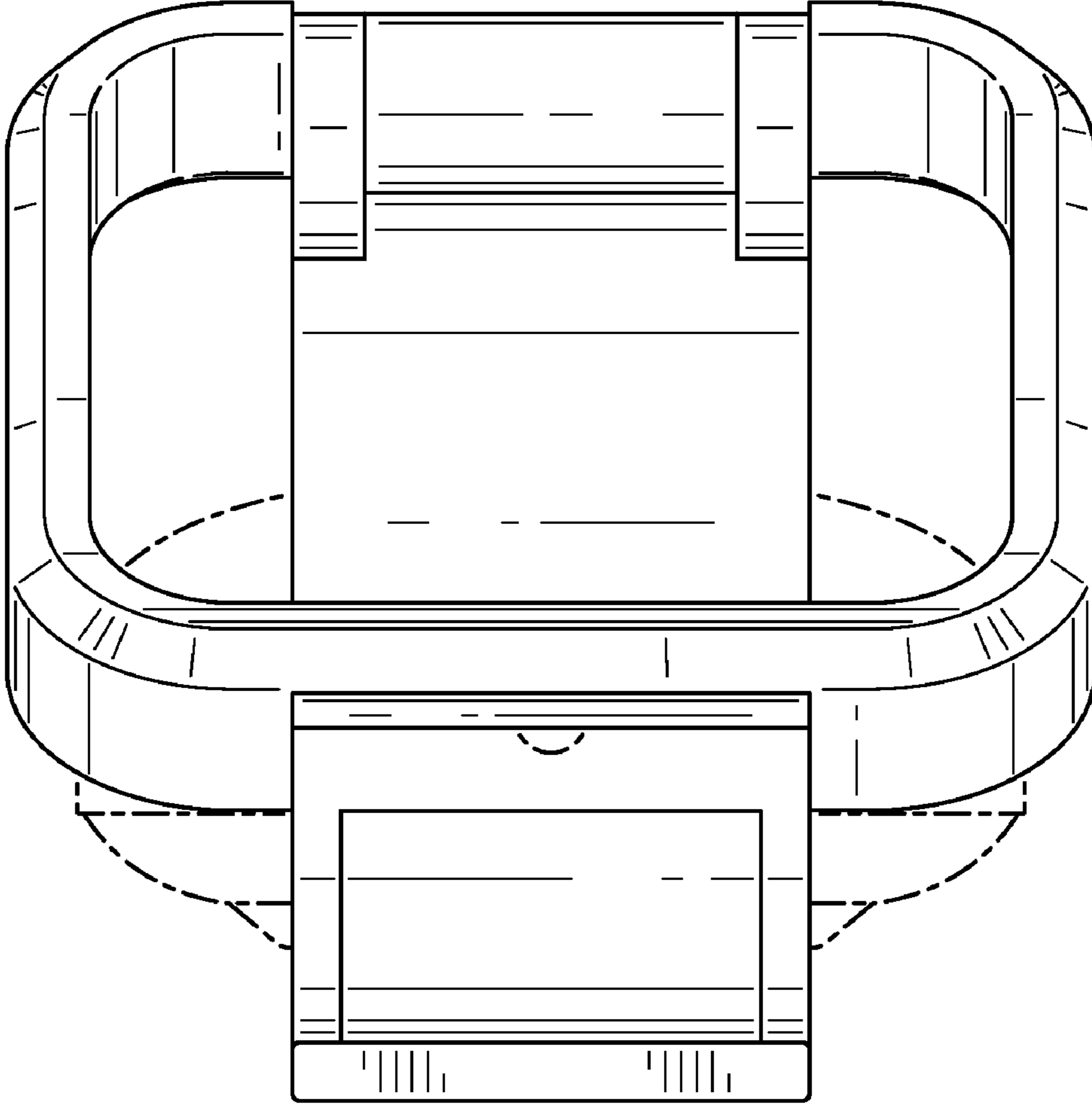


FIG. 14