



US00D624107S

(12) **United States Design Patent**
Goldenberg

(10) **Patent No.:** **US D624,107 S**

(45) **Date of Patent:** **** Sep. 21, 2010**

(54) **HAND HELD MULTI POSITION MAGNIFIER CAMERA**

(75) **Inventor:** **Michael Goldenberg**, Melbourne Beach, FL (US)

(73) **Assignee:** **Freedom Scientific, Inc.**, St. Petersburg, FL (US)

(**) **Term:** **14 Years**

(21) **Appl. No.:** **29/338,154**

(22) **Filed:** **Jun. 5, 2009**

(51) **LOC (9) Cl.** **16-01**

(52) **U.S. Cl.** **D16/211; D14/138 G; D16/135; D16/200**

(58) **Field of Classification Search** D14/138 G; D16/130, 200, 201, 208, 211, 219; 348/63, 348/333.06, 333.07, 373, 376; 359/802; 396/535-541

See application file for complete search history.

(56) **References Cited**

U.S. PATENT DOCUMENTS

D374,227 S *	10/1996	Williams	D14/138 G
7,172,305 B2 *	2/2007	Rodriguez et al.	359/802
7,194,290 B2 *	3/2007	Matsunami	348/373
D543,569 S *	5/2007	Clark et al.	D16/211
7,495,700 B2 *	2/2009	Watanabe	348/376
7,605,862 B2 *	10/2009	Hou	348/373
2007/0229989 A1 *	10/2007	Scott et al.	359/802

* cited by examiner

Primary Examiner—Adir Aronovich

(74) *Attorney, Agent, or Firm*—Michael J. Colitz, III; Gray Robinson, P.A.

(57) **CLAIM**

The ornamental design for a hand held multiple position magnifier camera, as shown and described.

DESCRIPTION

FIG. 1 is a front elevational view of a hand held multiple position magnifier camera of the present invention;

FIG. 2 is a rear elevational view of the hand held magnifier camera of the present invention;

FIG. 3 is a side elevational view of the hand held magnifier camera of the present invention;

FIG. 4 is a side elevational view (opposite of that shown in FIG. 3) of the hand held multiple position magnifier camera of the present invention;

FIG. 5 is a top plan view of the hand held magnifier camera of the present invention;

FIG. 6 is a bottom plan view of the hand held magnifier camera of the present invention;

FIG. 7 is a front perspective view of the hand held magnifier camera of the present invention;

FIG. 8 is a rear perspective view of the hand held magnifier camera of the present invention;

FIG. 9 is a top perspective view of the hand held magnifier camera in its folded orientation;

FIG. 10 is a bottom perspective view of a hand held magnifier camera in its folded orientation;

FIG. 11 is a rear perspective view of the hand held magnifier camera in its partially folded orientation; and,

FIG. 12 is a front perspective view of the hand held magnifier camera in its partially folded orientation.

1 Claim, 5 Drawing Sheets

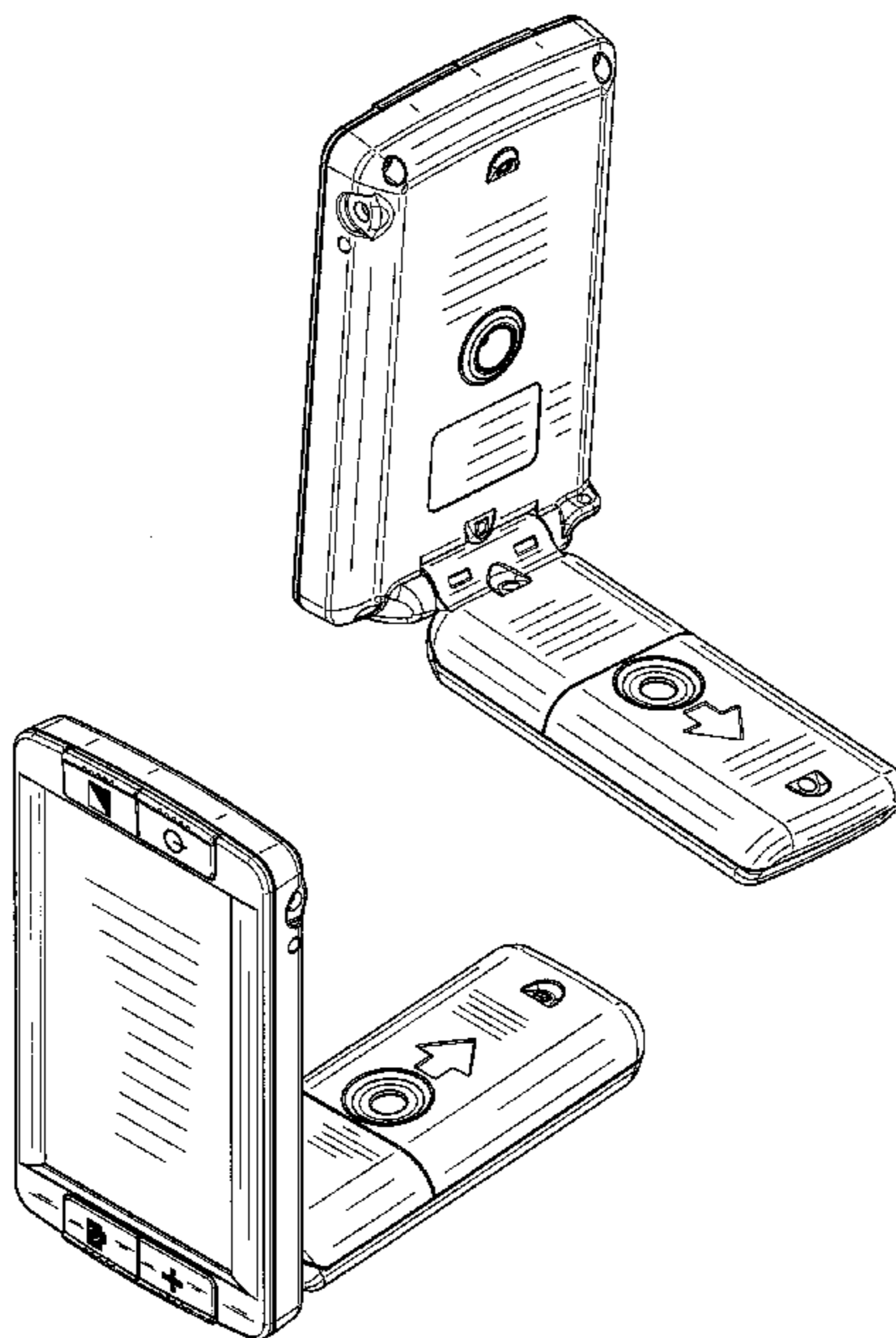


FIG. 1

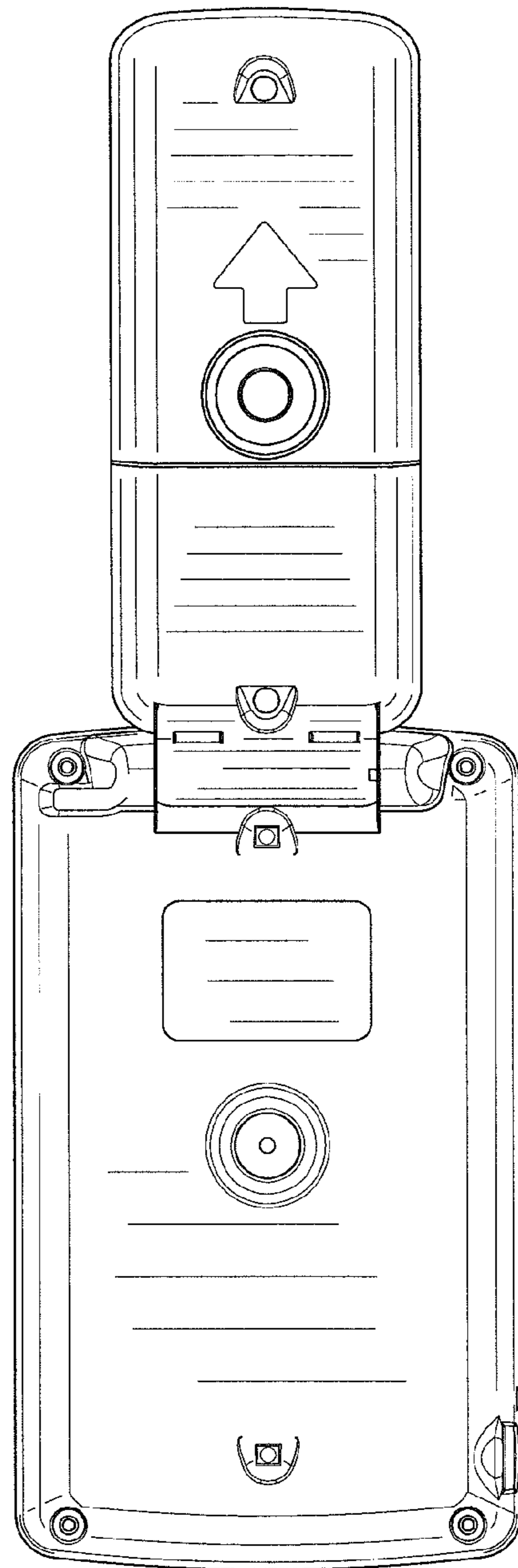
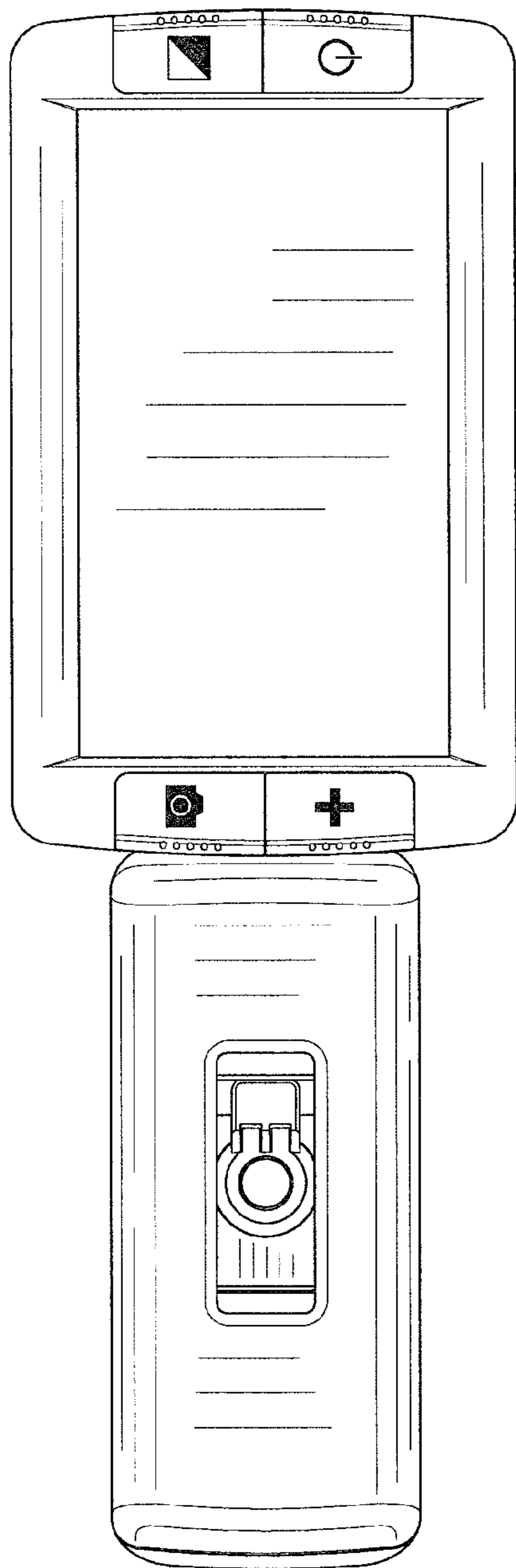


FIG. 2

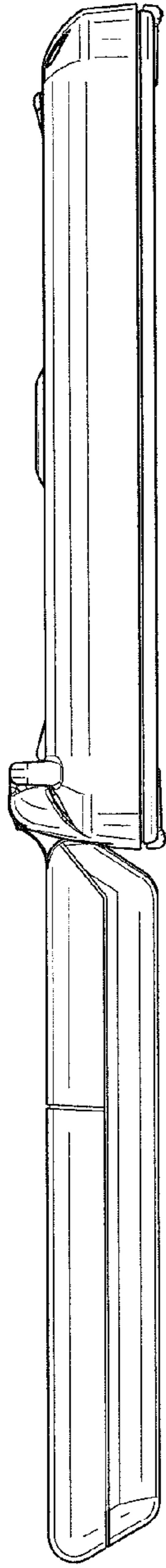


FIG. 3

FIG. 4

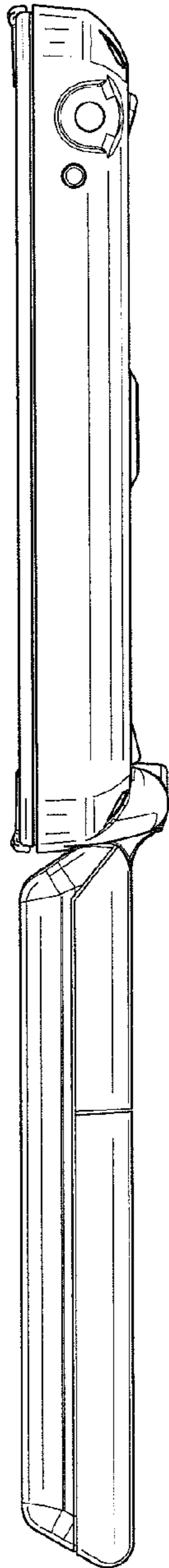


FIG. 5

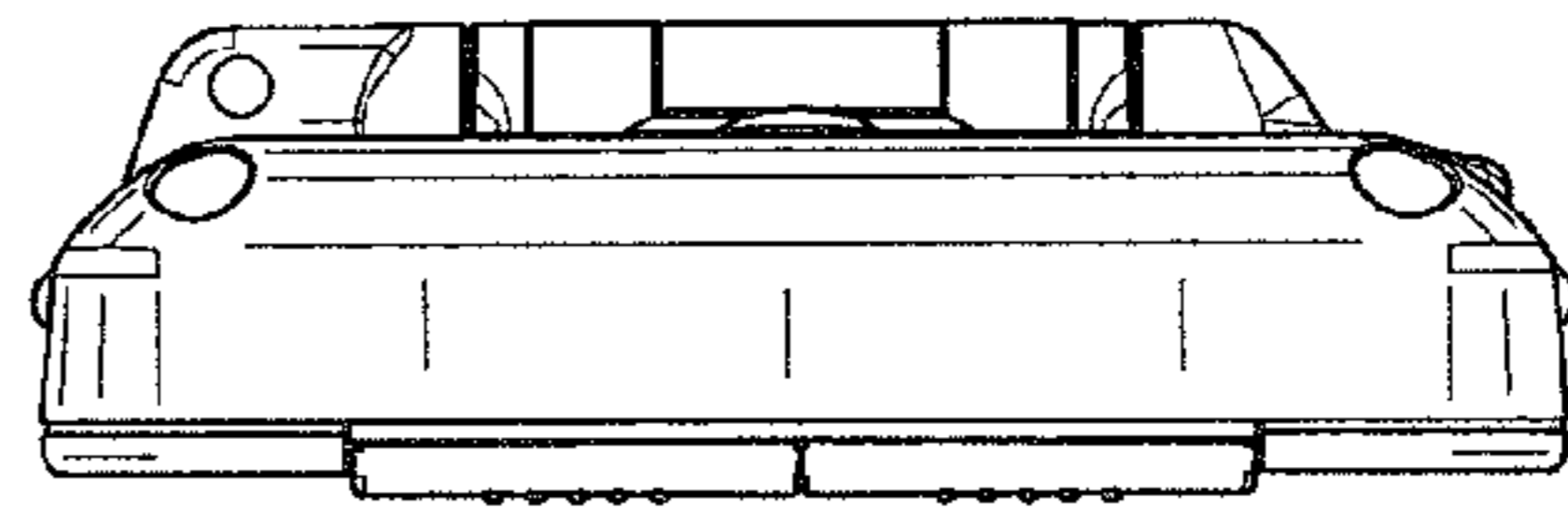
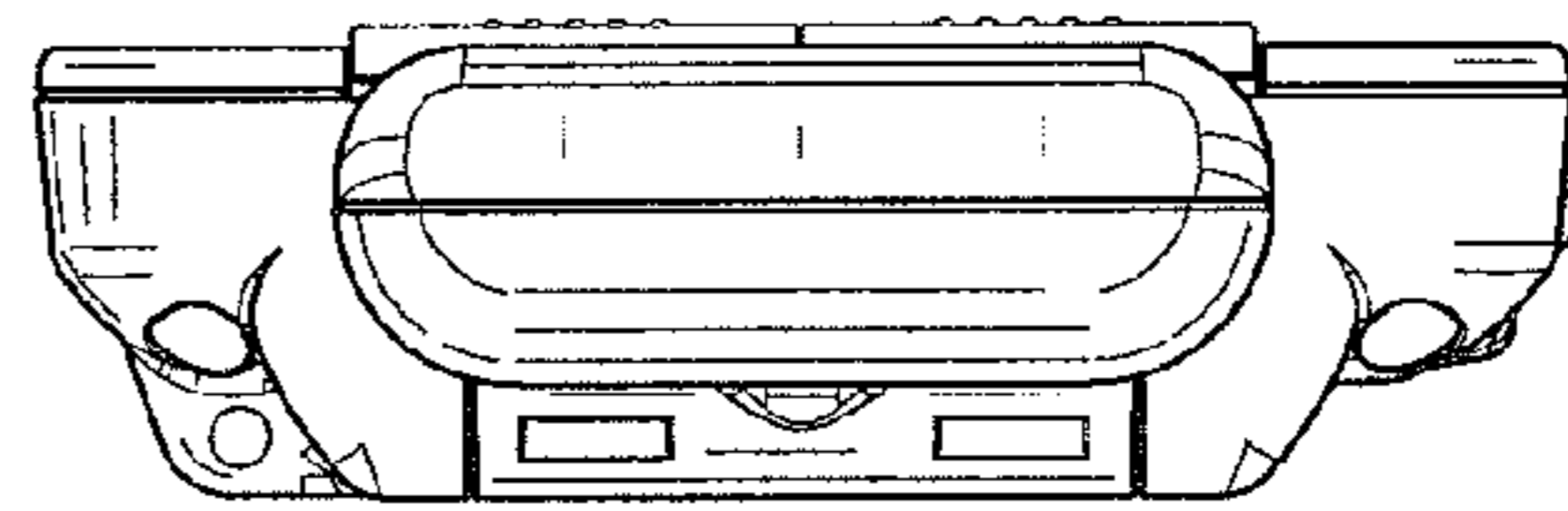


FIG. 6



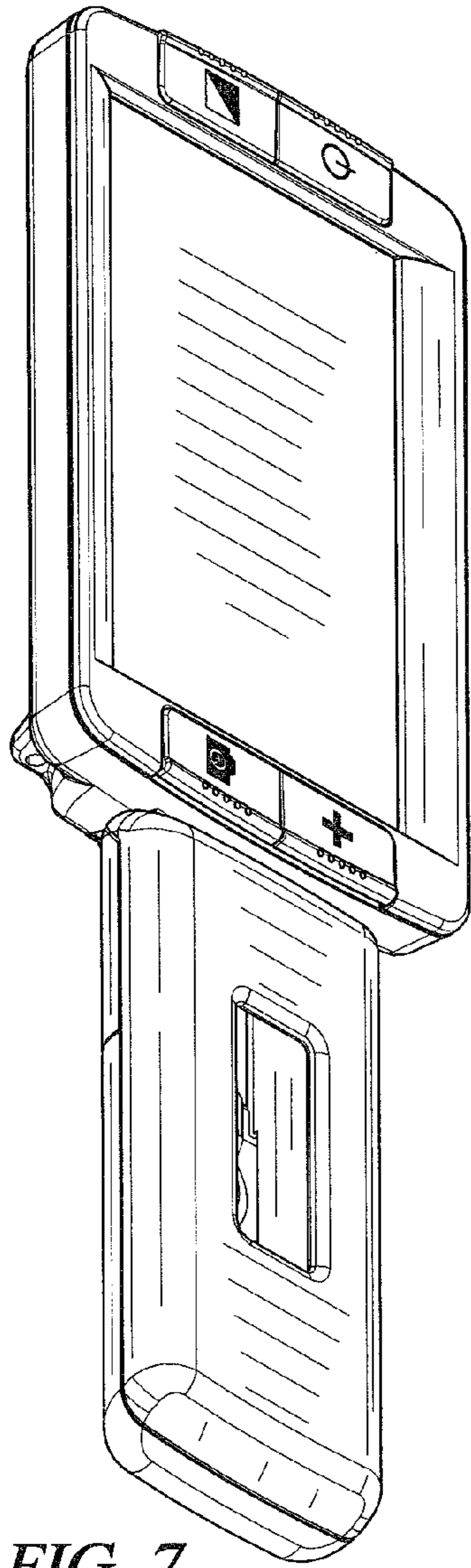


FIG. 7

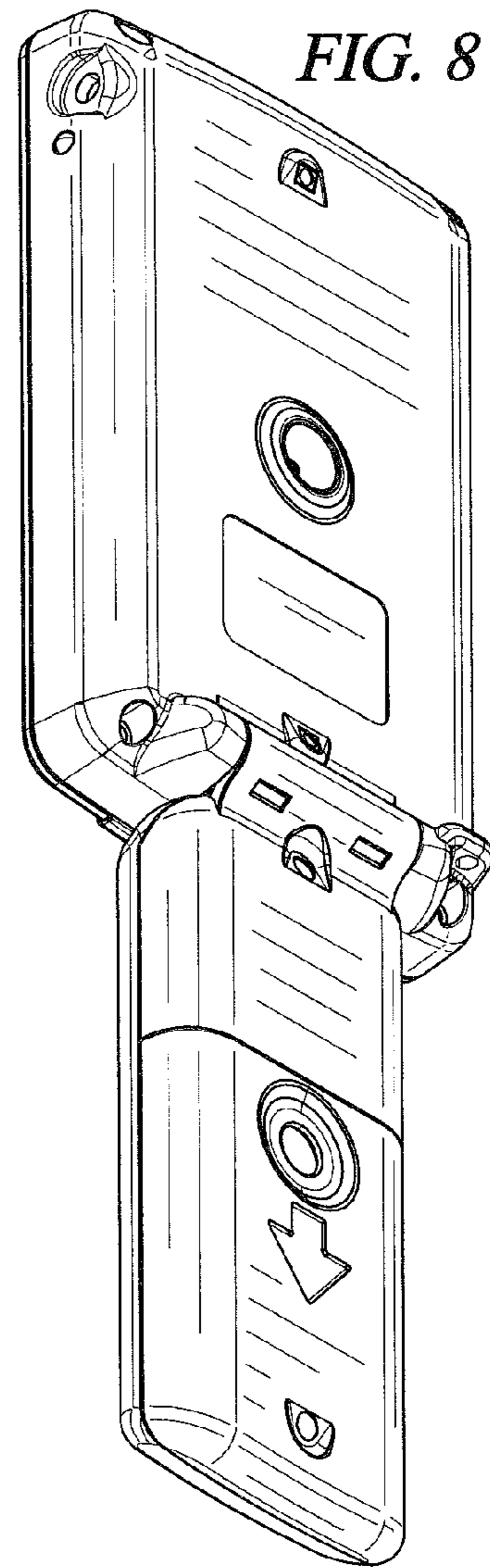


FIG. 8

FIG. 9

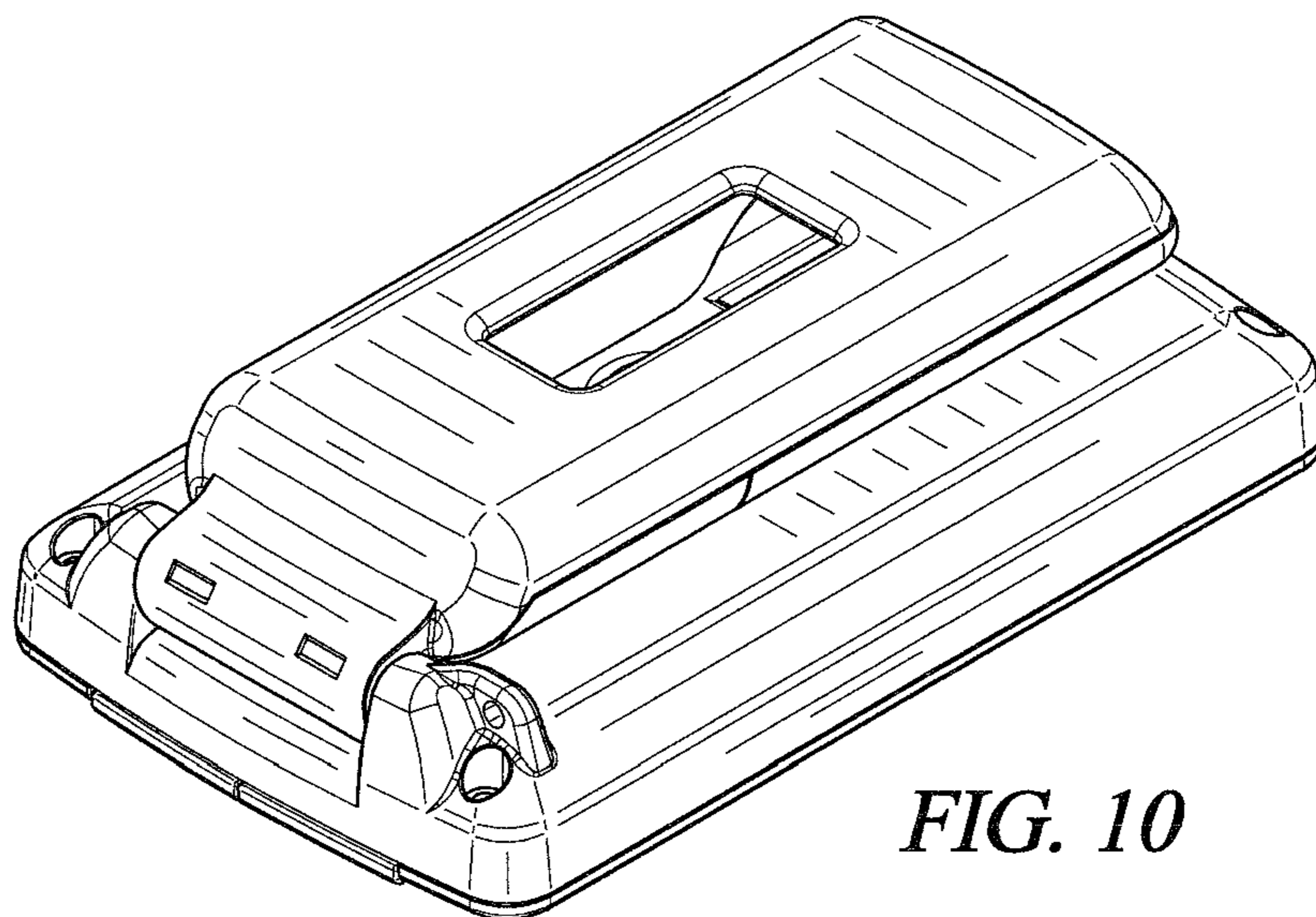
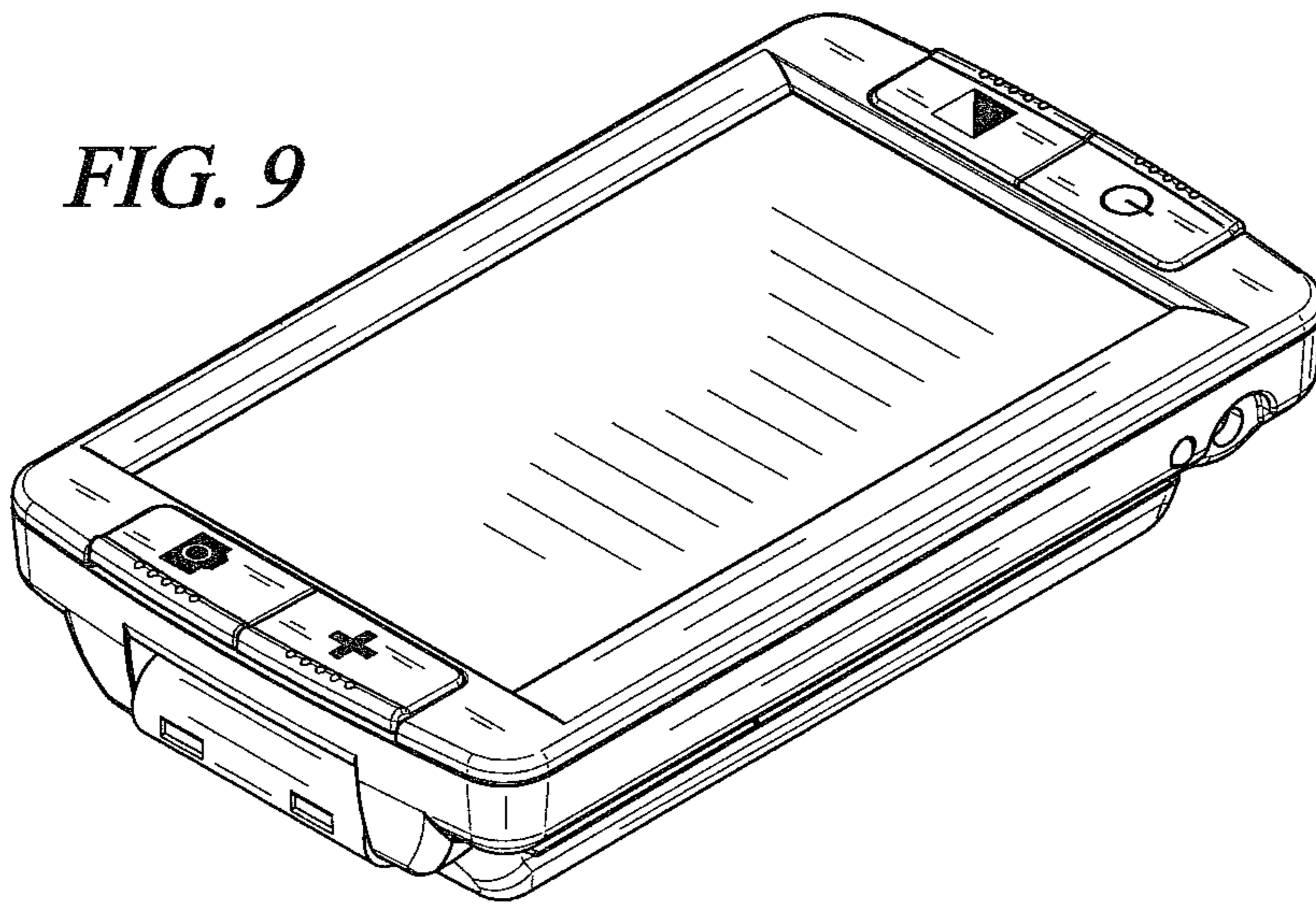


FIG. 10

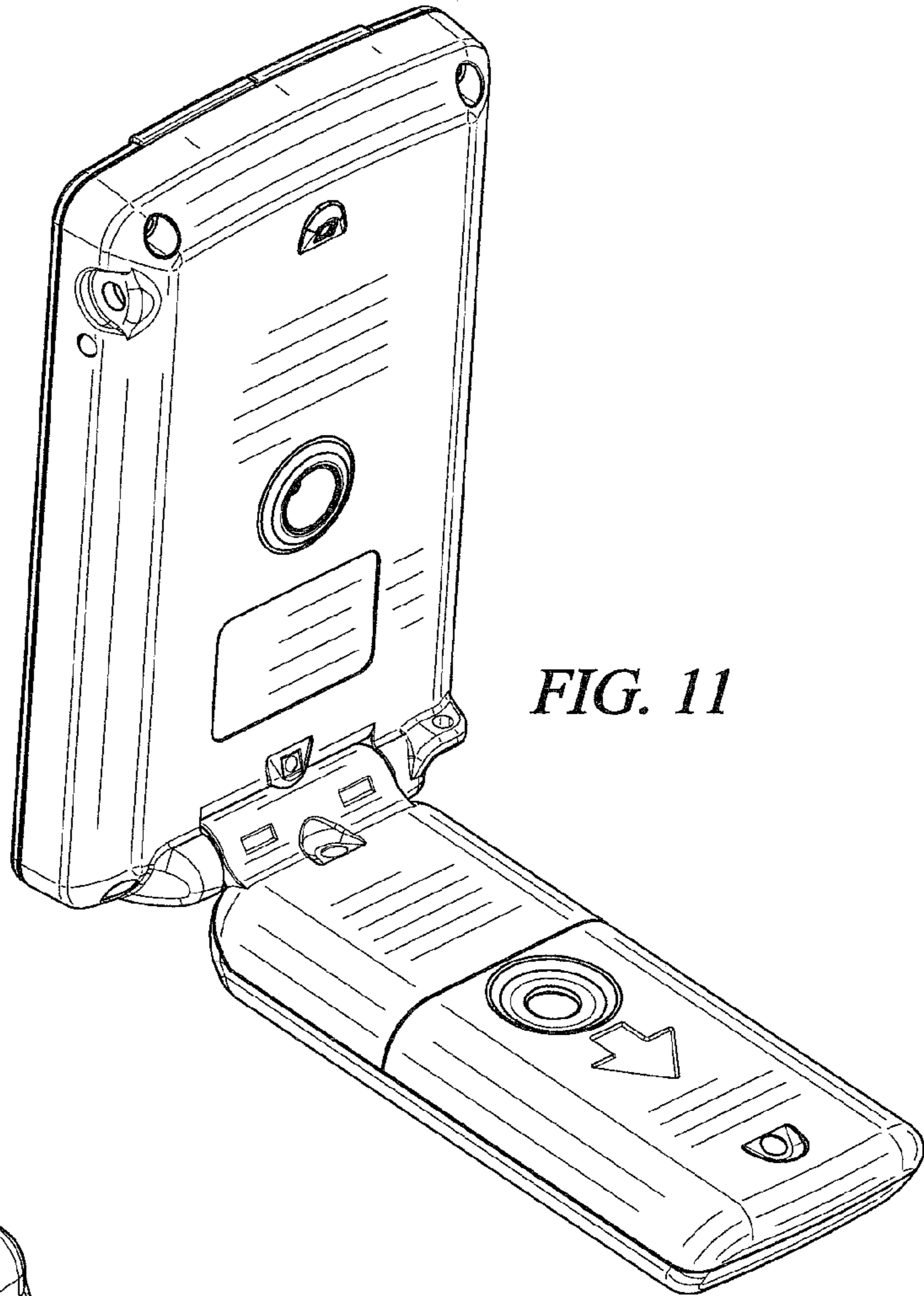


FIG. 11

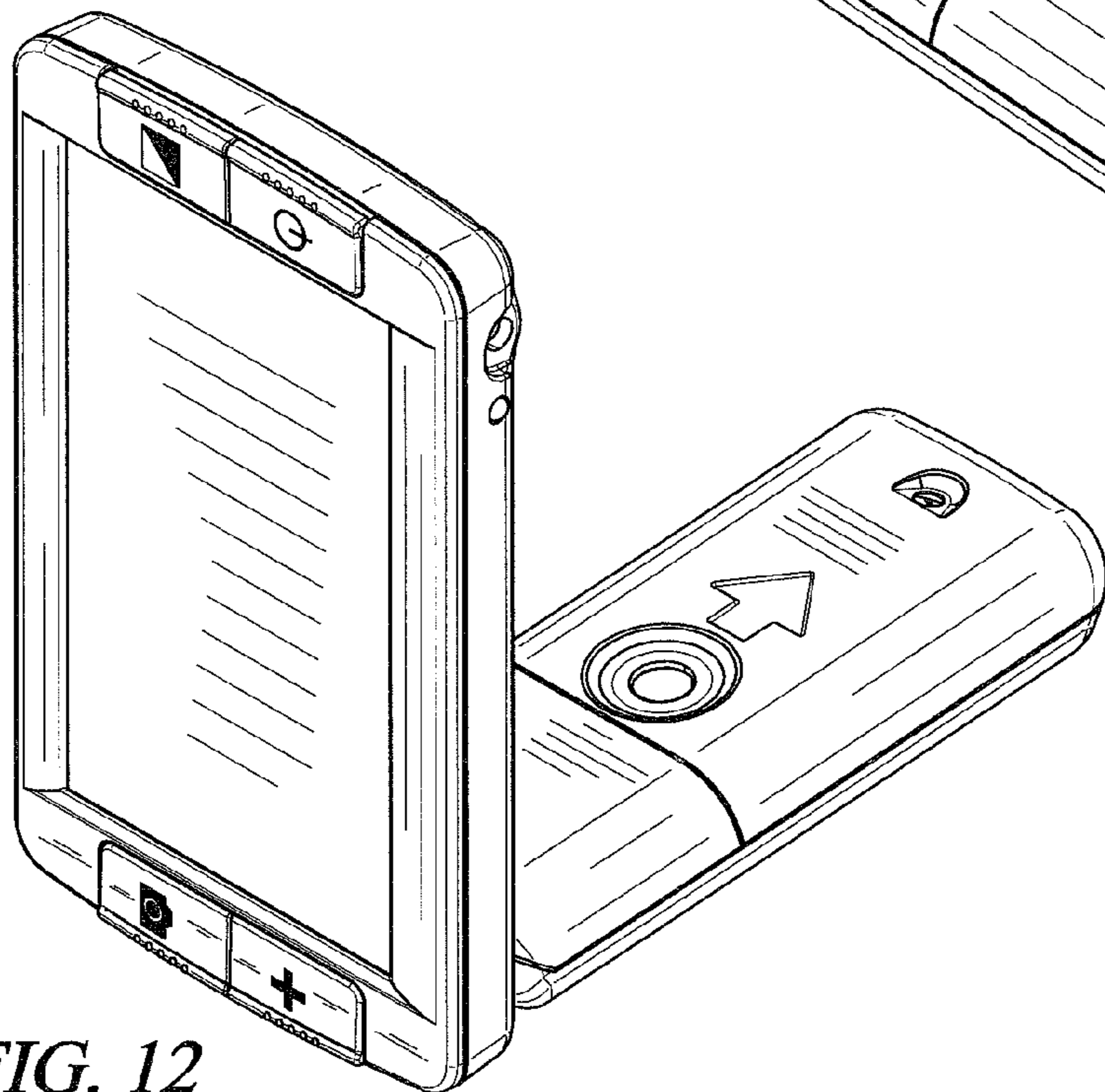


FIG. 12