



US00D624106S

(12) **United States Design Patent**
Cho et al.

(10) **Patent No.:** **US D624,106 S**
(45) **Date of Patent:** **** Sep. 21, 2010**

(54) **MOTOR VEHICLE SURVEILLANCE CAMERA**

D531,198 S * 10/2006 Tainaka D16/202

* cited by examiner

(75) Inventors: **Cheong Dong Cho**, Seoul (KR); **Jun Min Park**, Seoul (KR)

Primary Examiner—Adir Aronovich
(74) *Attorney, Agent, or Firm*—Hoffmann & Baron, LLP

(73) Assignee: **Eastern Mastec Corporation**, Gyeonggi-do (KR)

(57) **CLAIM**

(**) Term: **14 Years**

The ornamental design for a motor vehicle surveillance camera, as shown and described.

(21) Appl. No.: **29/328,378**

DESCRIPTION

(22) Filed: **Nov. 24, 2008**

FIG. 1 is a perspective view of a motor vehicle surveillance camera showing the new design;

(30) **Foreign Application Priority Data**

Jun. 13, 2008 (KR) 30-2008-0025405

FIG. 2 is a front view of the motor vehicle surveillance camera shown in FIG. 1;

(51) **LOC (9) Cl.** **16-01**

FIG. 3 is a rear view of the motor vehicle surveillance camera shown in FIG. 1;

(52) **U.S. Cl.** **D16/203**

(58) **Field of Classification Search** D16/200–204,
D16/208, 218; 348/143, 148, 153, 373–376;
396/427

FIG. 4 is a left side view of the motor vehicle surveillance camera shown in FIG. 1;

See application file for complete search history.

FIG. 5 is a right side view of the motor vehicle surveillance camera shown in FIG. 1;

(56) **References Cited**

U.S. PATENT DOCUMENTS

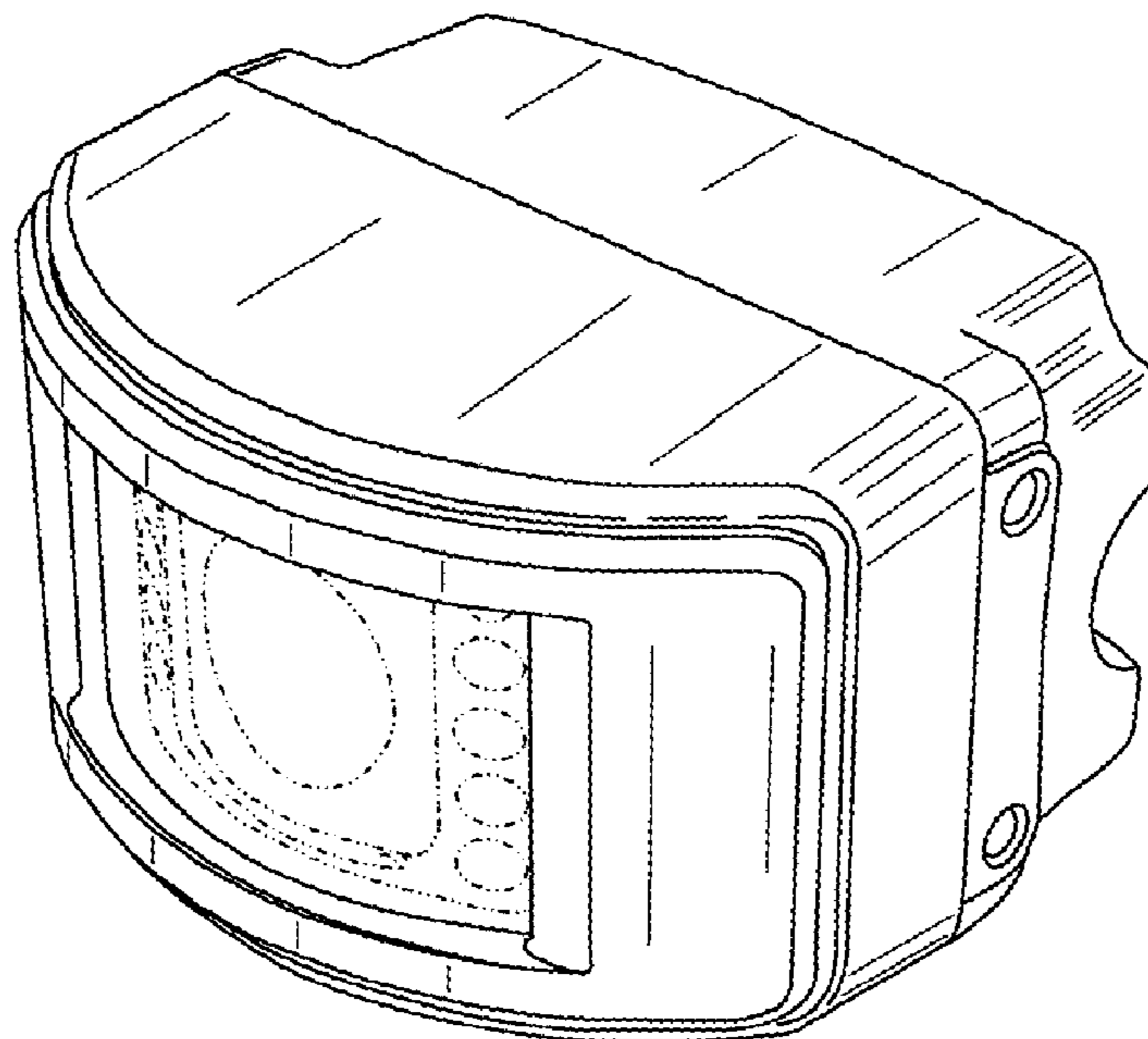
D339,365 S *	9/1993	Urcuilio	D16/203
D348,076 S *	6/1994	Chan	D16/218
D398,320 S *	9/1998	Powell	D16/218
D450,738 S *	11/2001	Rak	D16/203
D477,345 S *	7/2003	Hildreth	D16/203
6,693,519 B2 *	2/2004	Keirstead	348/148
6,738,089 B1 *	5/2004	Silc	348/148

FIG. 6 is top plan view of the motor vehicle surveillance camera shown in FIG. 1; and,

FIG. 7 is a bottom view of the motor vehicle surveillance camera shown in FIG. 1.

The portions of the camera in broken lines are shown for illustrative purposes only and form no part of the claimed design.

1 Claim, 4 Drawing Sheets



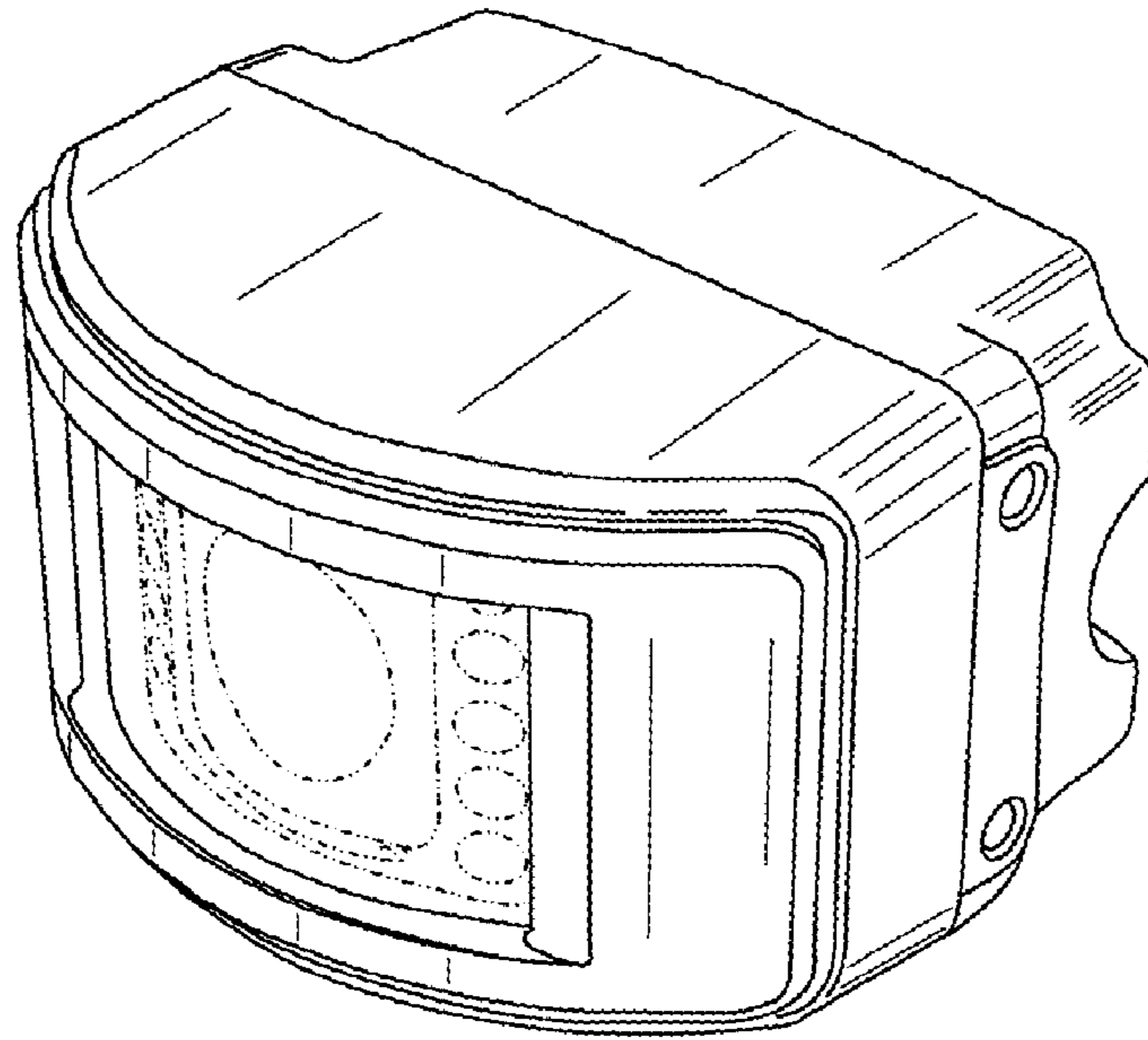


FIG. 1

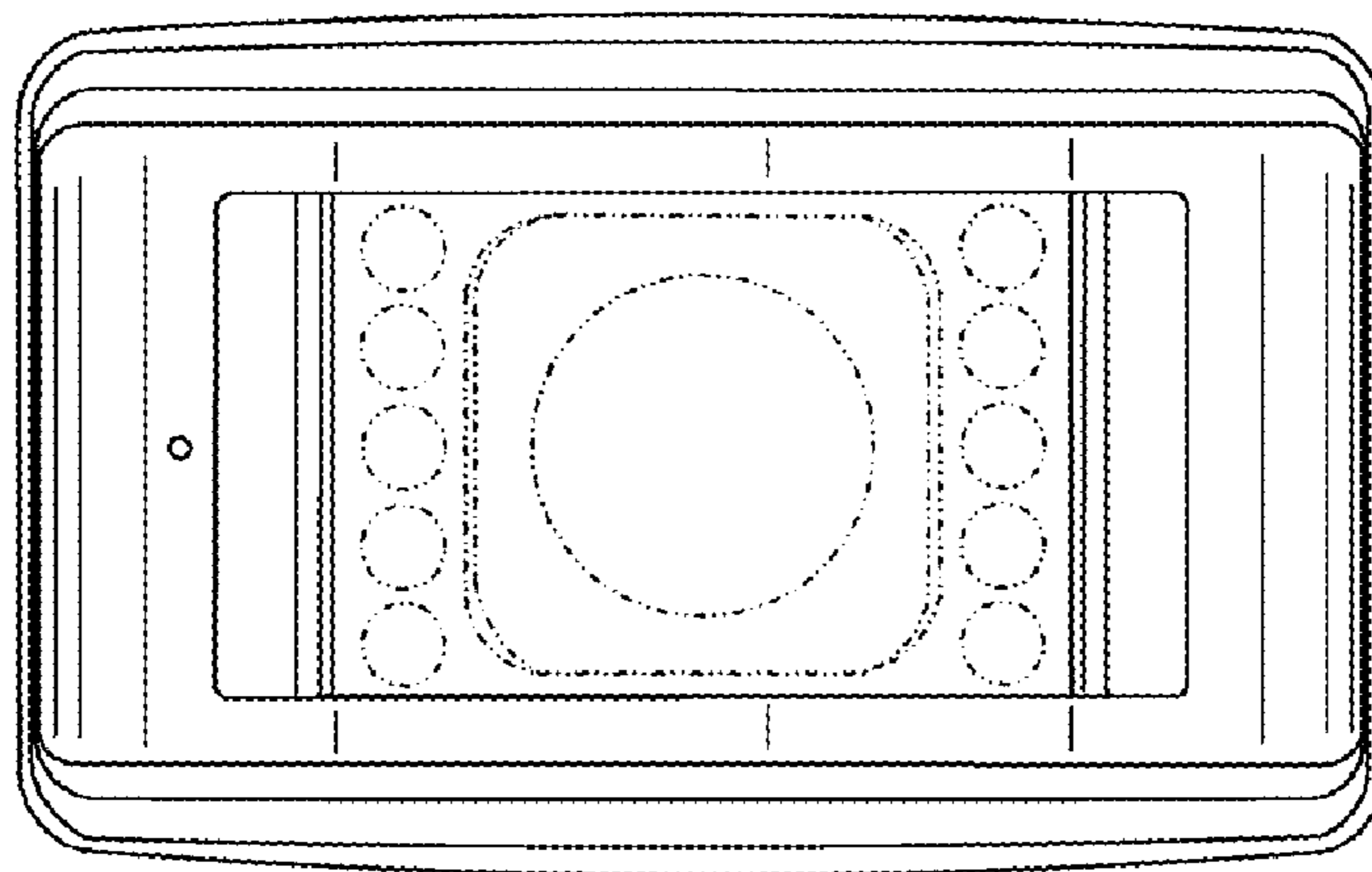


FIG. 2

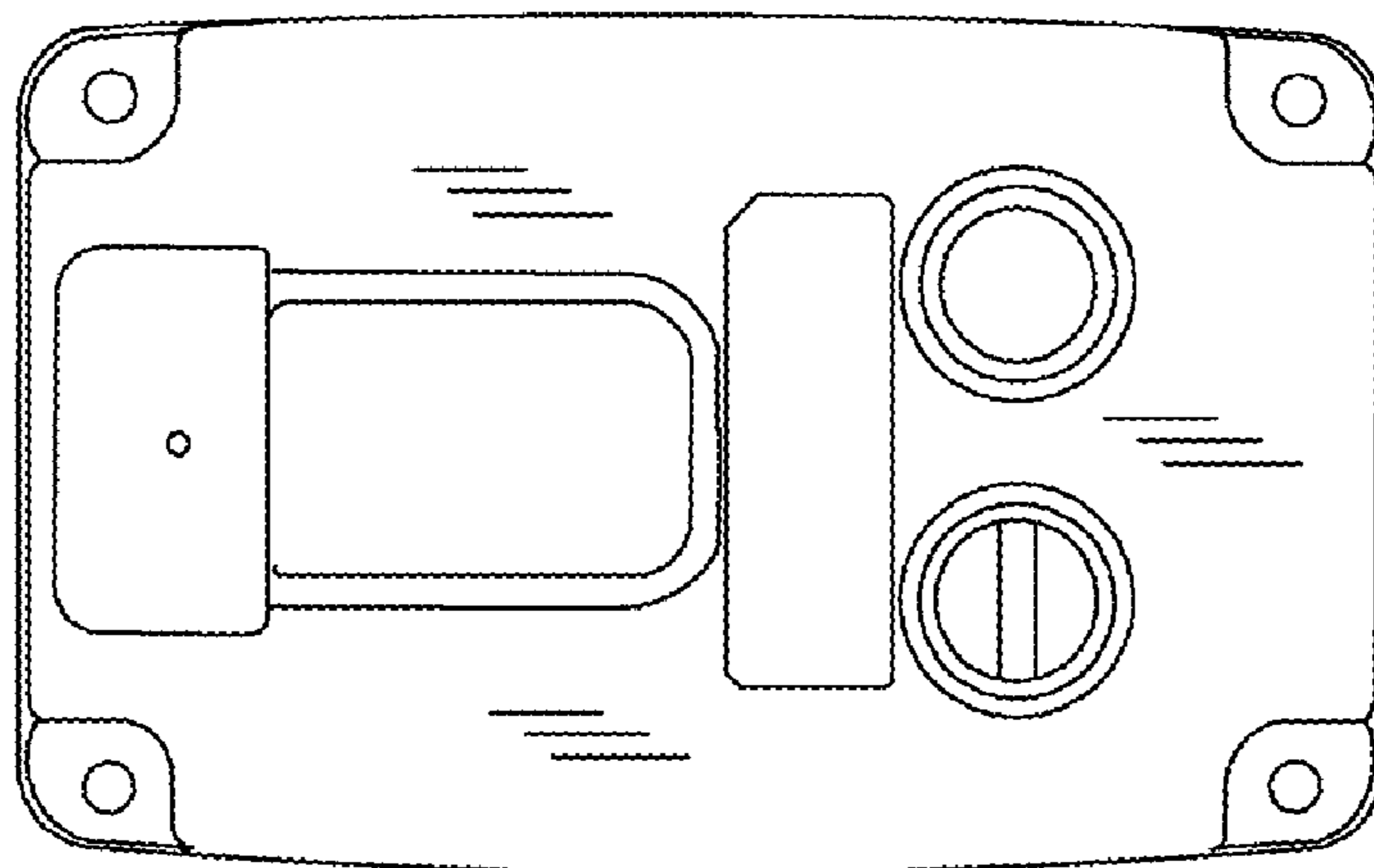


FIG. 3

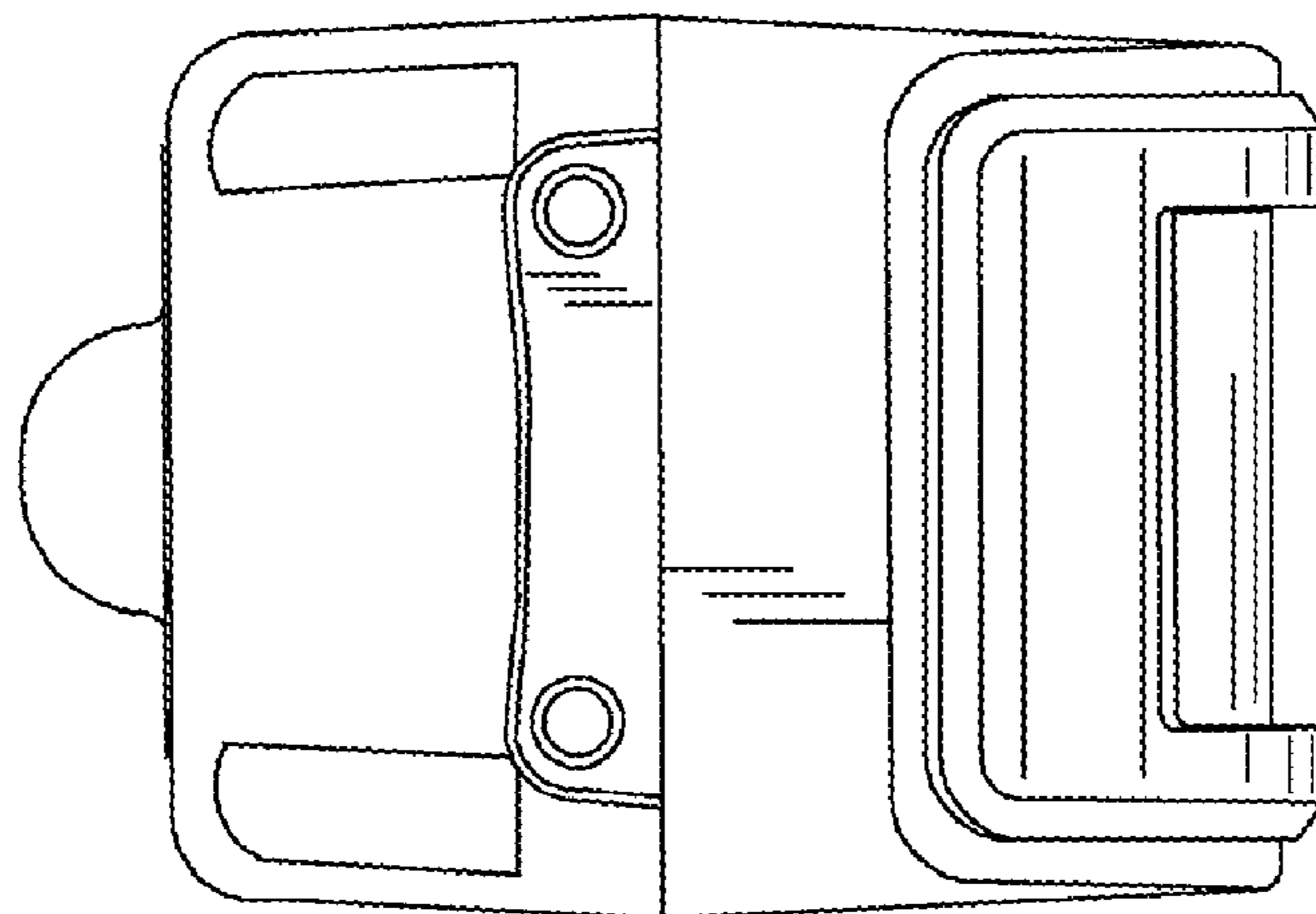


FIG. 4

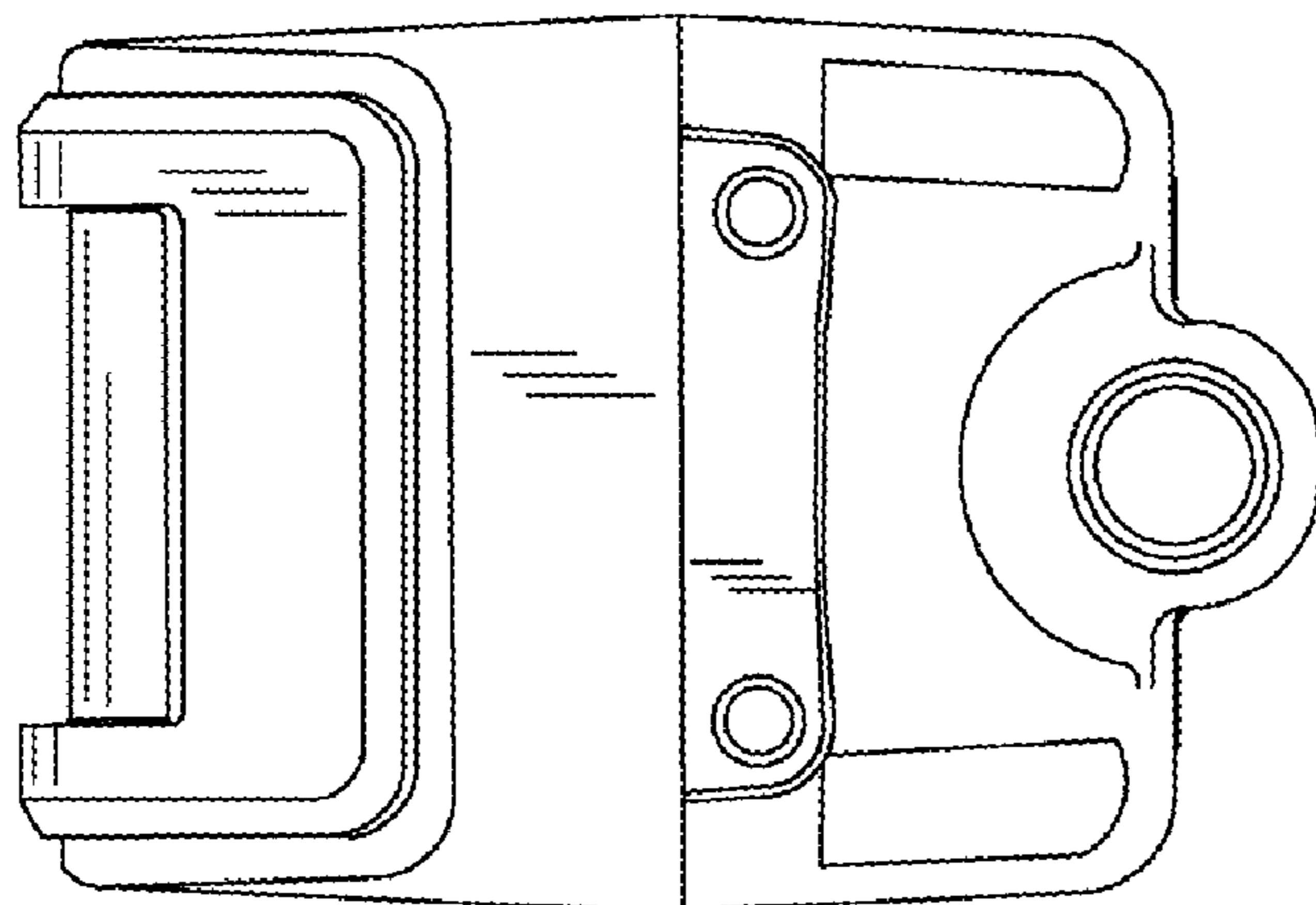


FIG. 5

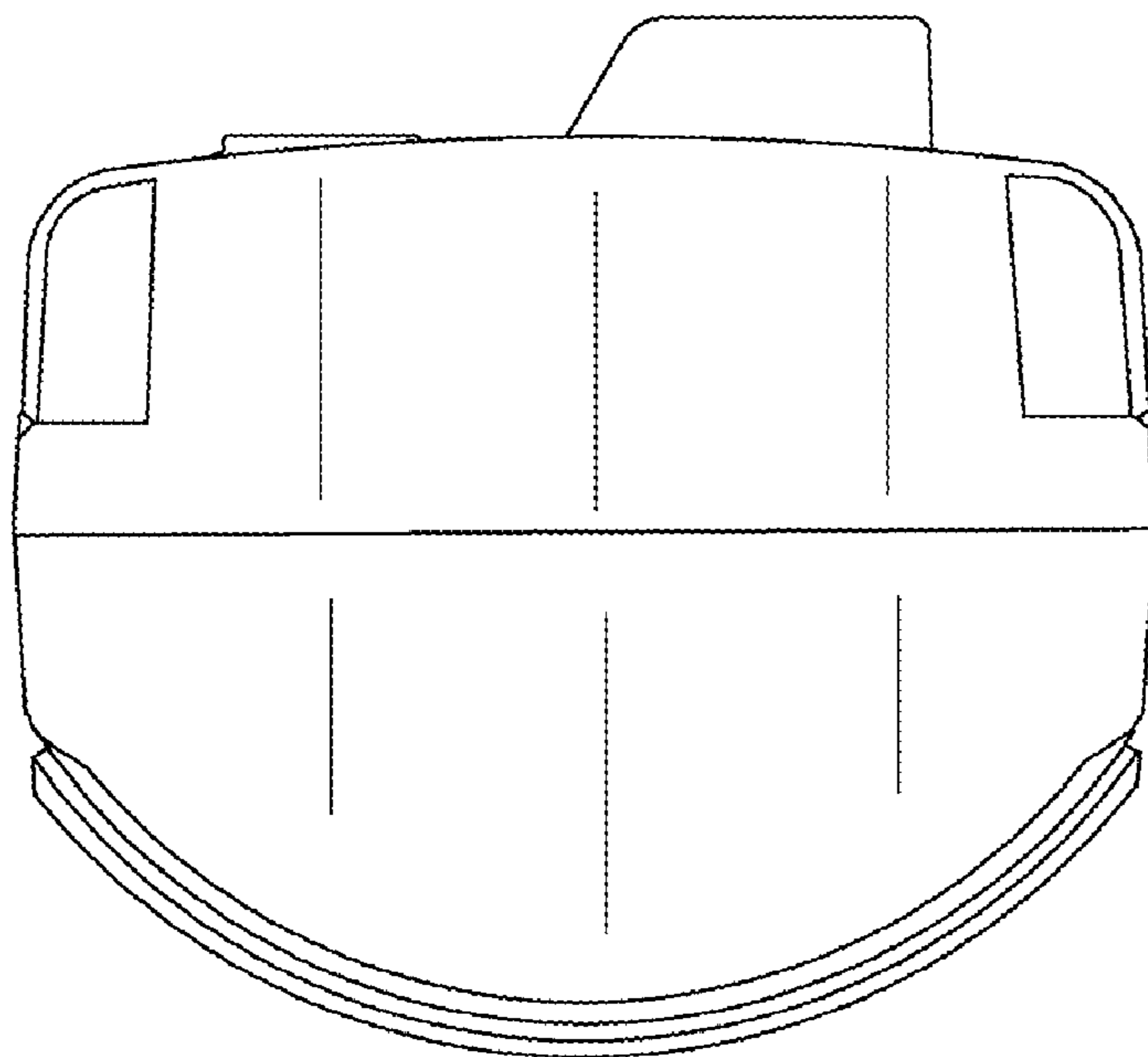


FIG. 6

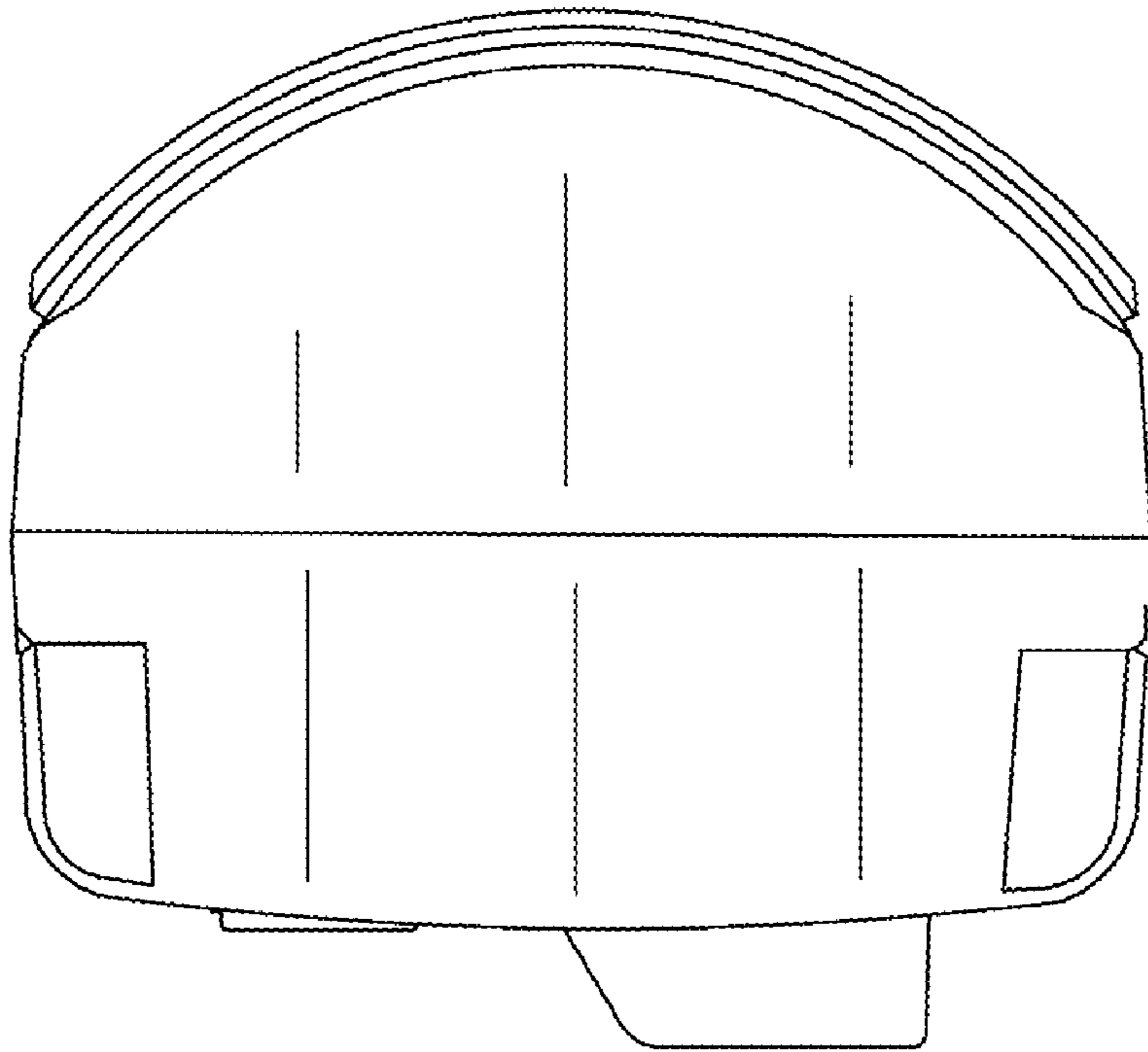


FIG. 7