



US00D624101S

(12) **United States Design Patent**
Tseng

(10) **Patent No.:** **US D624,101 S**

(45) **Date of Patent:** **** Sep. 21, 2010**

(54) **LINEAR ACTUATOR**

(75) Inventor: **Kuan-Shu Tseng**, Xindian (TW)

(73) Assignee: **T-MOTION Technology Co Ltd.**,
Taipei (TW)

(**) Term: **14 Years**

(21) Appl. No.: **29/363,598**

(22) Filed: **Jun. 11, 2010**

(30) **Foreign Application Priority Data**

Jan. 21, 2010 (TW) 99300244

(51) **LOC (9) Cl.** **15-09**

(52) **U.S. Cl.** **D15/143**

(58) **Field of Classification Search** D13/118;
D15/1-5, 143, 148, 149, 199; 74/89.15,
74/90.15, 490.09, 411.5; 297/14, 325, 327;
310/20, 20.8, 80

See application file for complete search history.

(56) **References Cited**

U.S. PATENT DOCUMENTS

D458,284 S * 6/2002 Landerholm et al. D15/143
D461,827 S * 8/2002 Koebbe D15/7
D502,477 S * 3/2005 Beadle et al. D15/148
D514,146 S * 1/2006 Haneball D15/143
D522,028 S * 5/2006 Beadle et al. D15/148

D528,564 S * 9/2006 Tomiji D15/5
D594,487 S * 6/2009 Lund et al. D15/143
D595,752 S * 7/2009 Lin et al. D15/143
D610,926 S * 3/2010 Gerent et al. D10/63
D611,502 S * 3/2010 Vignau et al. D15/5
D614,144 S * 4/2010 Arosio D13/166

* cited by examiner

Primary Examiner—Patricia Palasik

(74) *Attorney, Agent, or Firm*—Chun-Ming Shih; HDLS IPR
Services

(57) **CLAIM**

The ornamental design for a linear actuator, shown and
described.

DESCRIPTION

FIG. 1 is a perspective view of a linear actuator showing my
new design;

FIG. 2 is a front view thereof;

FIG. 3 is a rear view thereof;

FIG. 4 is a left side view thereof;

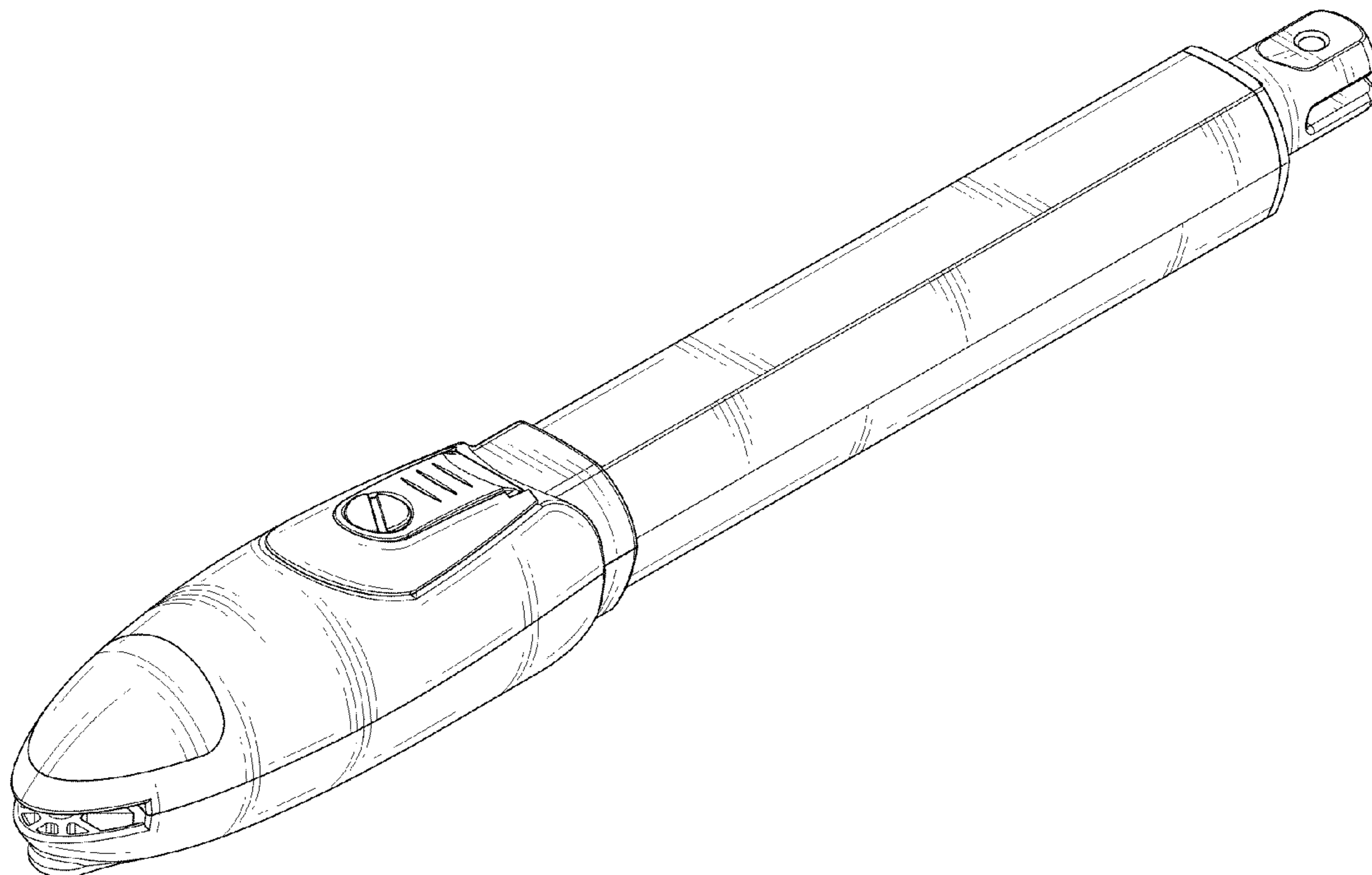
FIG. 5 is a right side view thereof;

FIG. 6 is a top view thereof;

FIG. 7 is a bottom view thereof; and,

FIG. 8 is another perspective view of a linear actuator show-
ing my new design.

1 Claim, 6 Drawing Sheets



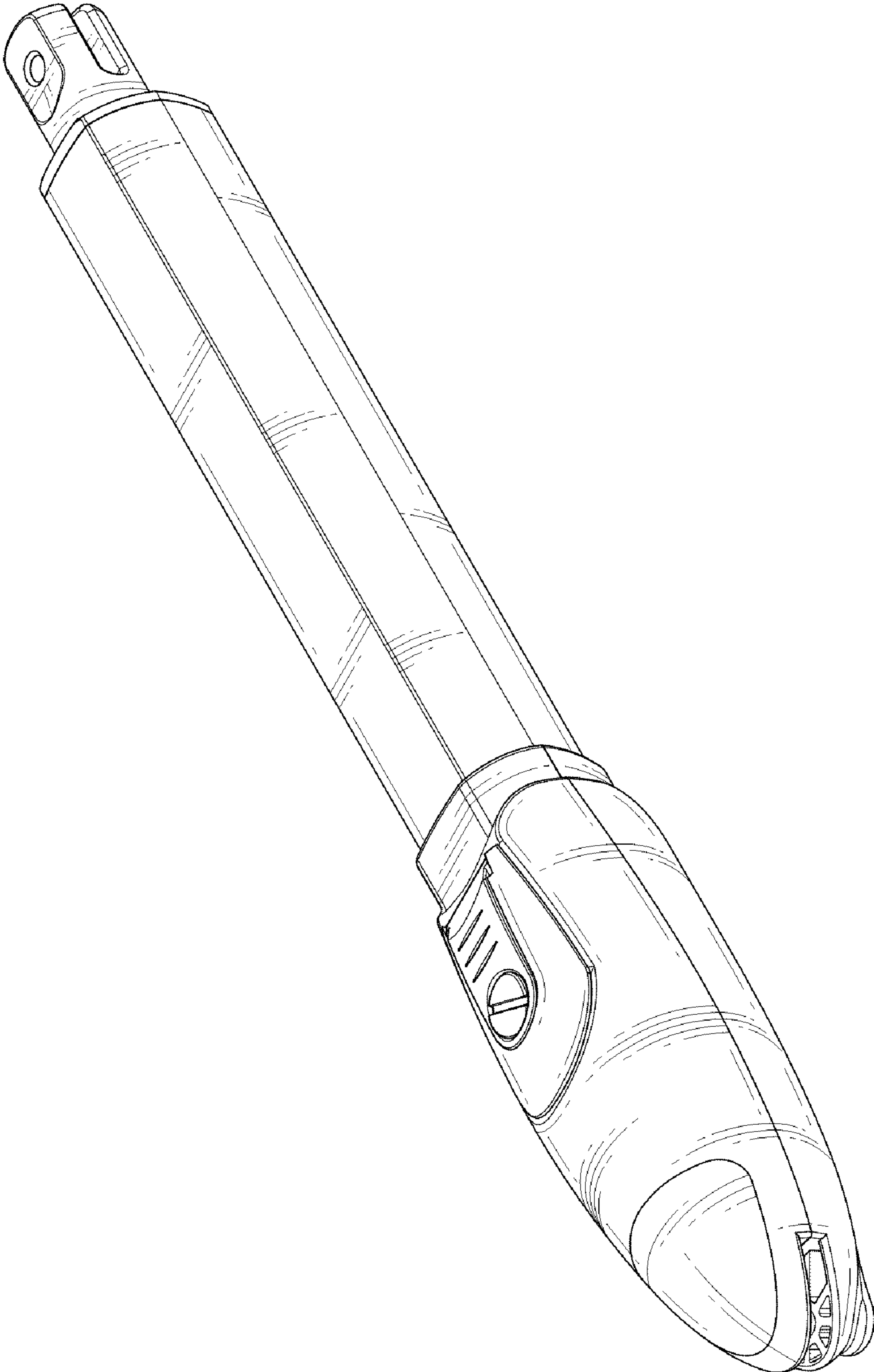


FIG.1

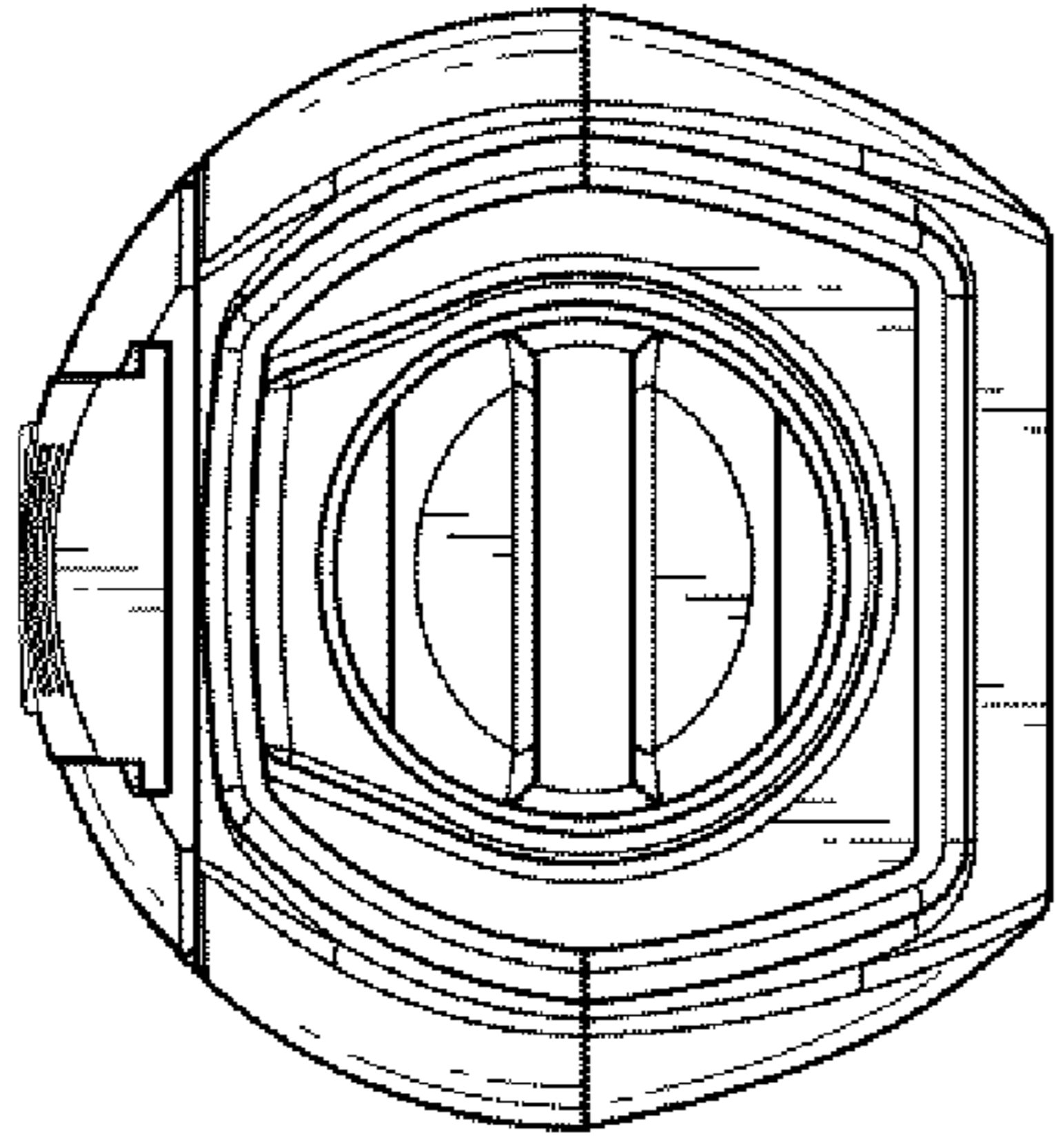


FIG. 2

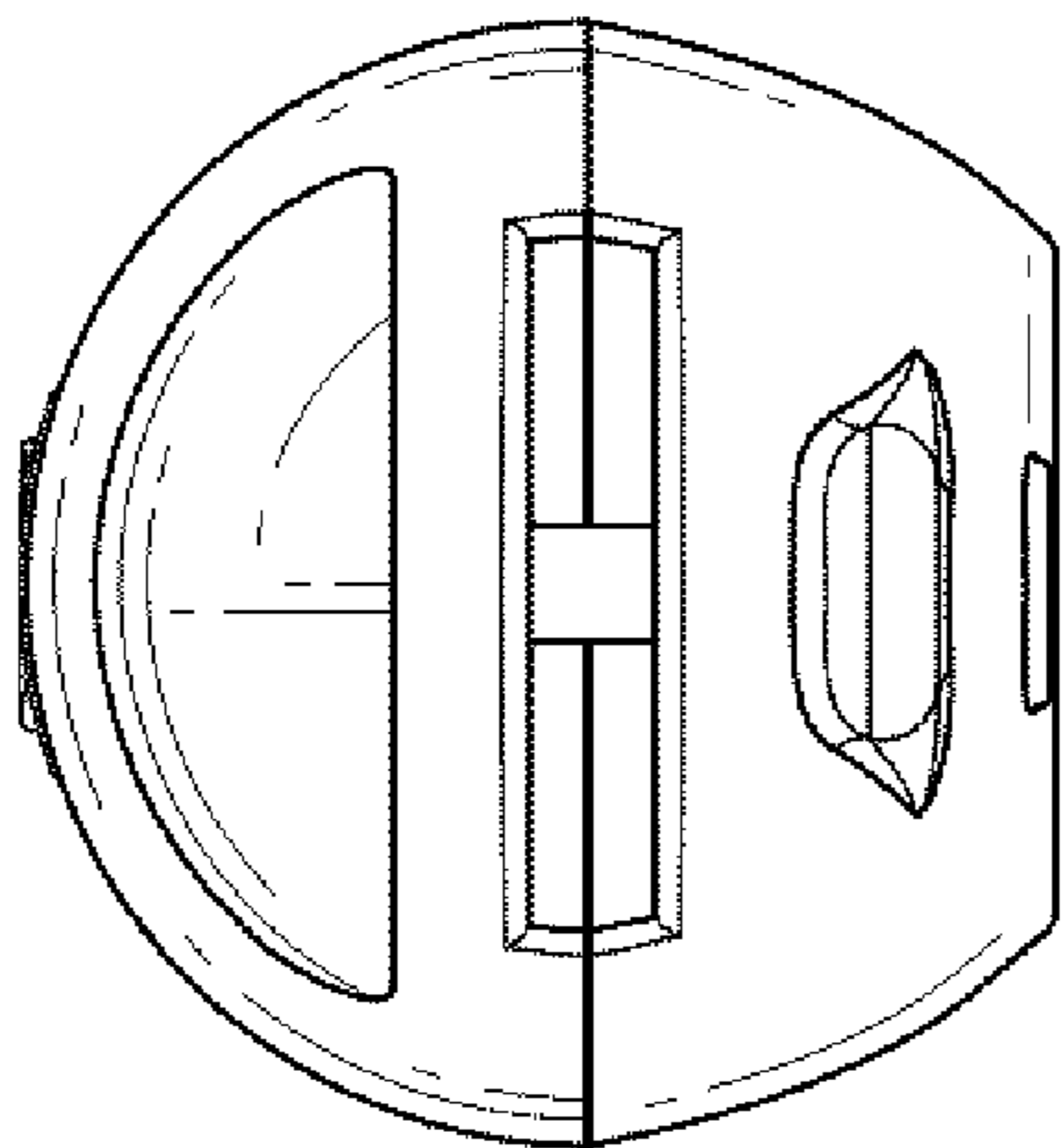


FIG. 3

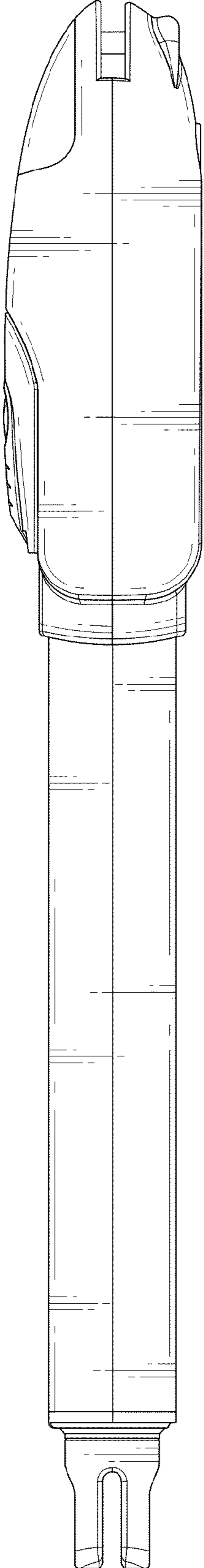


FIG. 4

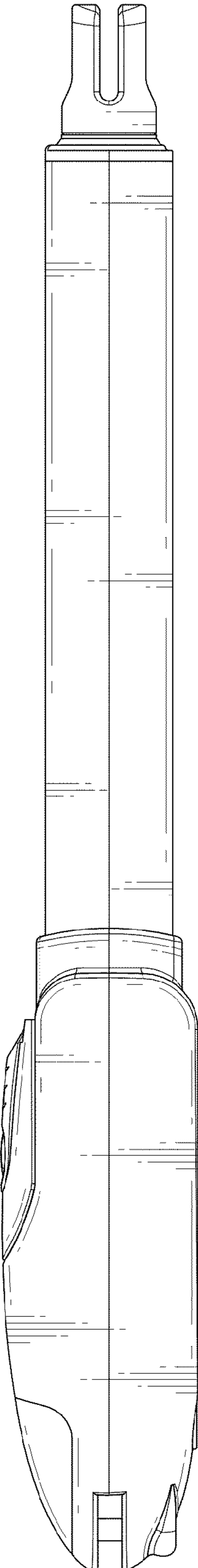


FIG. 5

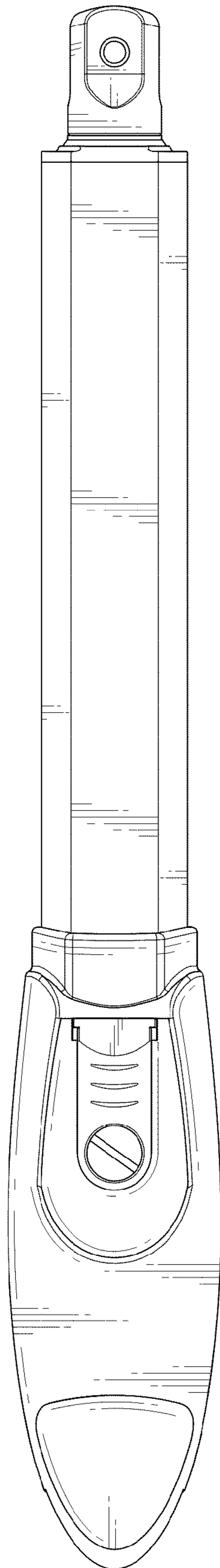


FIG.6

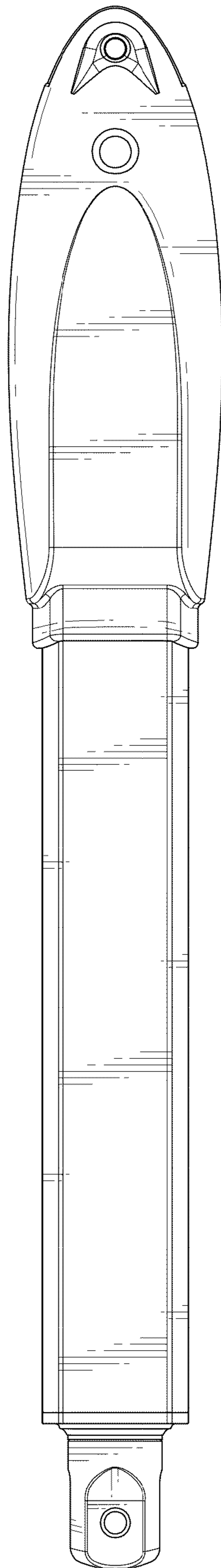


FIG.7

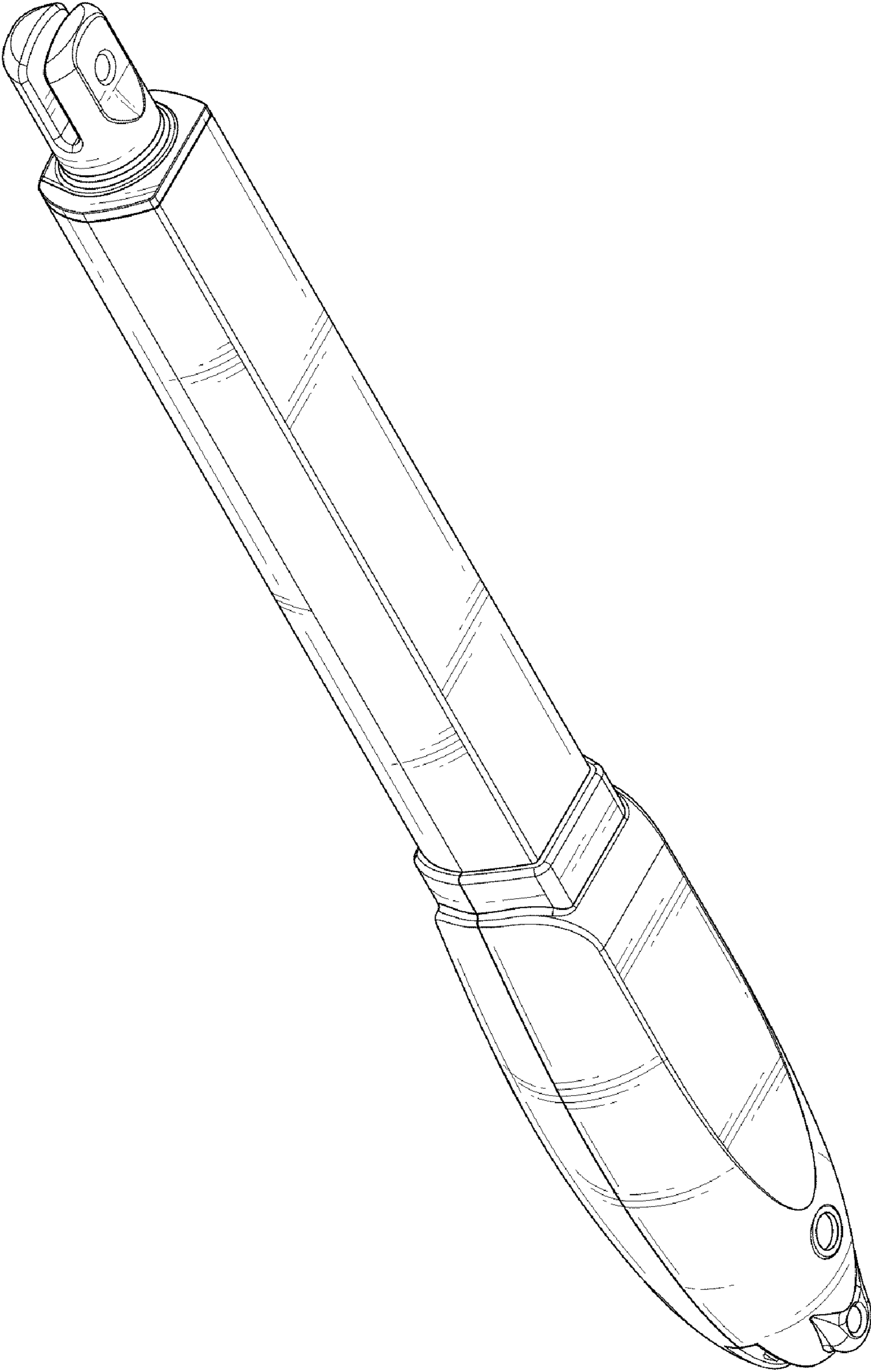


FIG.8