

US00D624097S

(12) **United States Design Patent**
Kenny et al.

(10) **Patent No.:** **US D624,097 S**

(45) **Date of Patent:** **** Sep. 21, 2010**

(54) **DRILL BIT**

7,051,822 B2 5/2006 Barry
2002/0195280 A1* 12/2002 Bise et al. 175/426

(75) Inventors: **Matthew Kenny**, Hamilton (AU);
Steven Weaver, Fletcher (AU)

* cited by examiner

(73) Assignee: **Sandvik Intellectual Property AB**,
Sandviken (SE)

Primary Examiner—Sandra Snapp
Assistant Examiner—Patricia Palasik
(74) *Attorney, Agent, or Firm*—Drinker Biddle & Reath LLP

(**) Term: **14 Years**

(57) **CLAIM**

(21) Appl. No.: **29/352,151**

We claim the ornamental design for drill bit, as shown and described.

(22) Filed: **Dec. 17, 2009**

(30) **Foreign Application Priority Data**

DESCRIPTION

Jun. 19, 2009 (AU) 12215/2009

FIG. 1 shows a drill bit in a front view.

(51) **LOC (9) Cl.** **15-09**

FIG. 2 shows a side view from the left side of the drill bit in FIG. 1.

(52) **U.S. Cl.** **D15/139**

FIG. 3 shows a side view from the right side of the drill bit in FIG. 1.

(58) **Field of Classification Search** D8/70;
D15/138, 139, 140; 83/845; 403/331, 381;
407/9, 33, 34, 42, 54, 63, 110, 113, 114,
407/115; 408/224, 226-230

FIG. 4 shows the drill bit in a rear view of the drill bit in FIG. 1.

See application file for complete search history.

FIG. 5 shows a bottom view of the drill bit for percussive drilling.

(56) **References Cited**

U.S. PATENT DOCUMENTS

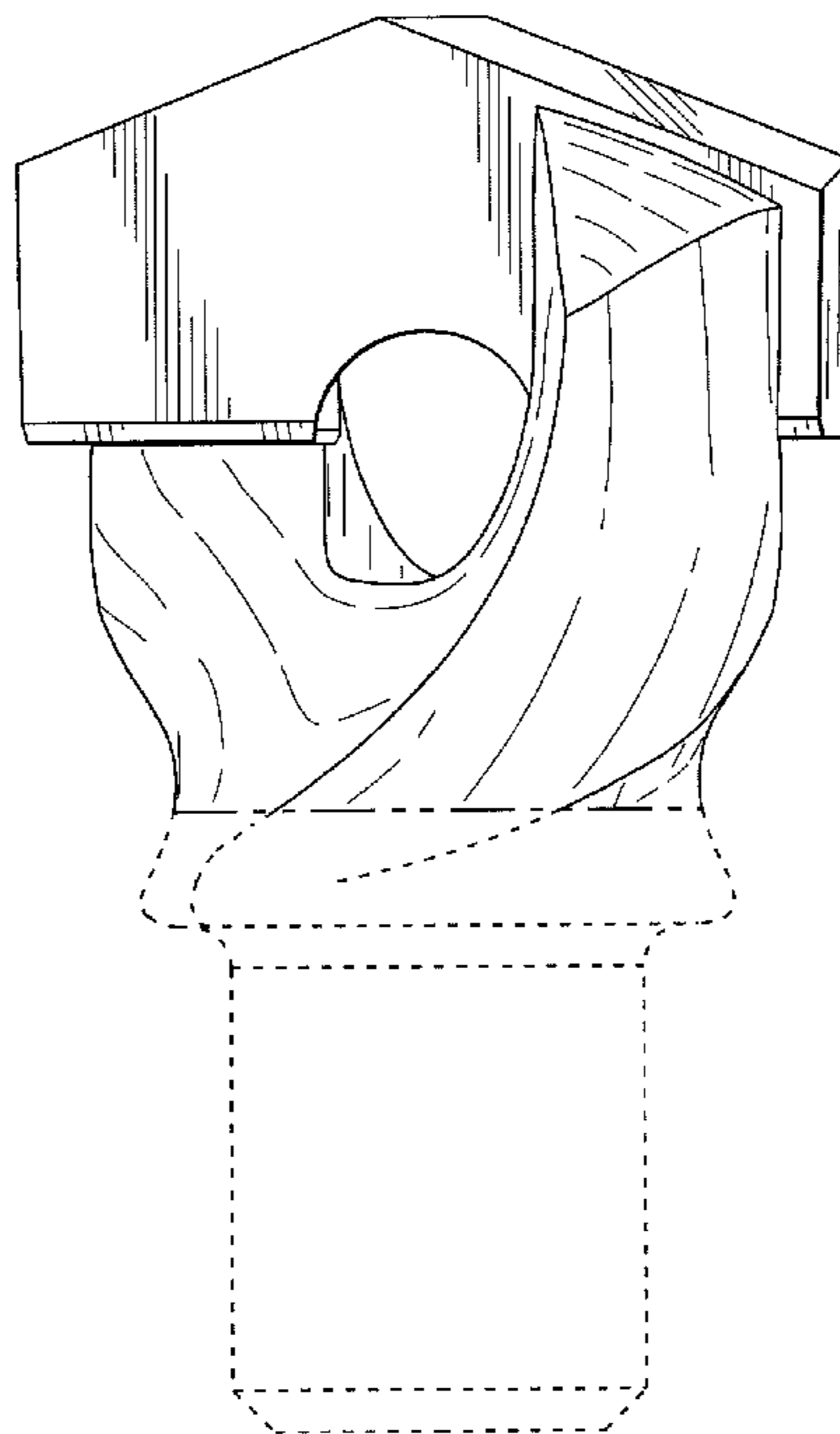
4,492,278 A * 1/1985 Leighton 175/420.1
4,633,959 A * 1/1987 Knox 175/420.1
4,688,652 A * 8/1987 Crist 175/420.1
5,184,925 A * 2/1993 Woods et al. 408/144
5,226,489 A * 7/1993 Woods et al. 175/420.1
5,297,643 A * 3/1994 Montgomery et al. 175/393
5,452,628 A * 9/1995 Montgomery et al. 76/108.2
6,309,159 B1 10/2001 Weaver et al.
6,684,968 B2 * 2/2004 Bise et al. 175/427

FIG. 6 shows a top view from the upper side of the drill bit in FIG. 1; and,

FIG. 7 shows a perspective front view of the drill bit for percussive drilling.

The short equidistant broken lines in the drawings depict unclaimed environmental subject matter and the dash, dot, dot, dash broken lines depict the boundary of the claimed design and form no part thereof.

1 Claim, 3 Drawing Sheets



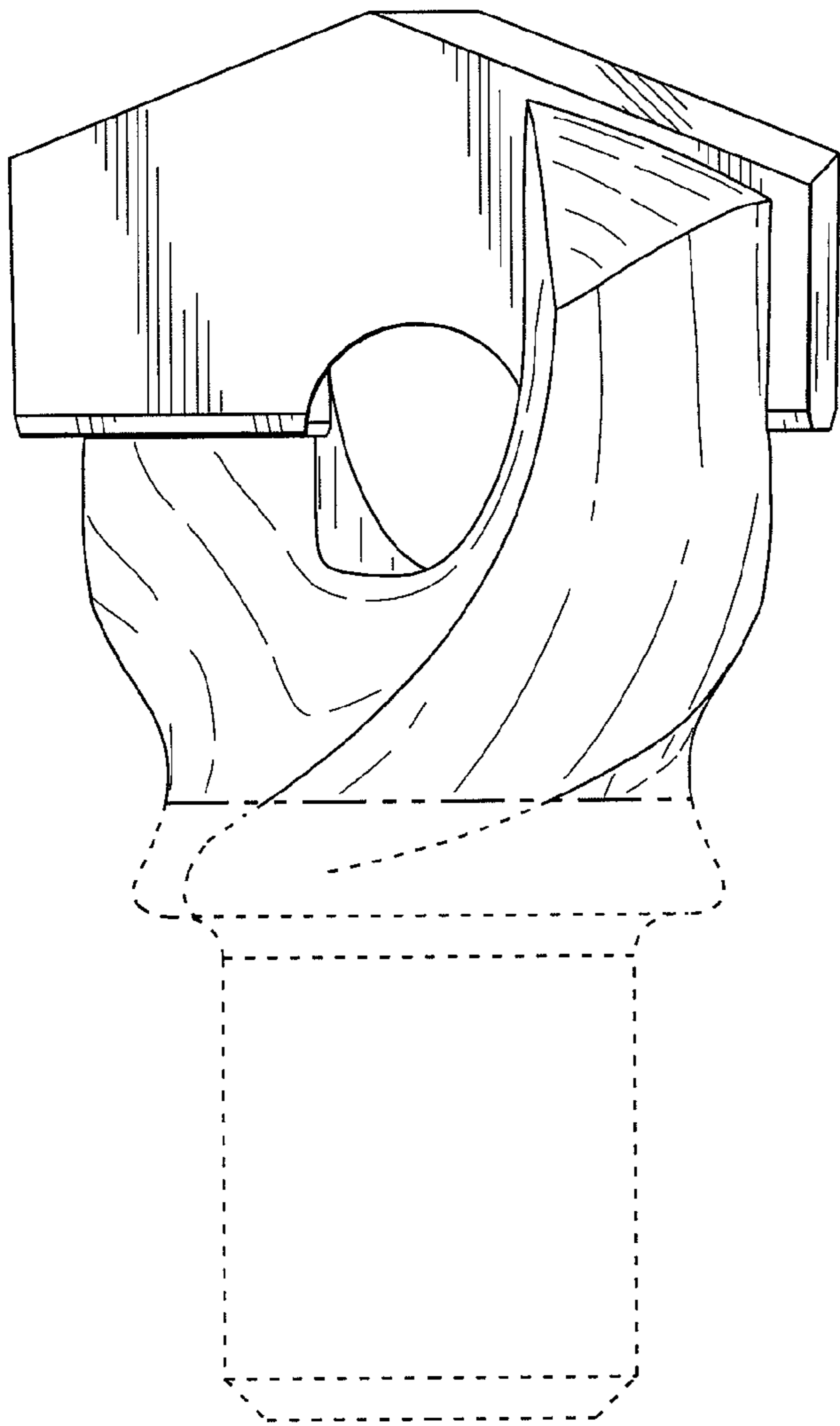


FIG. 1

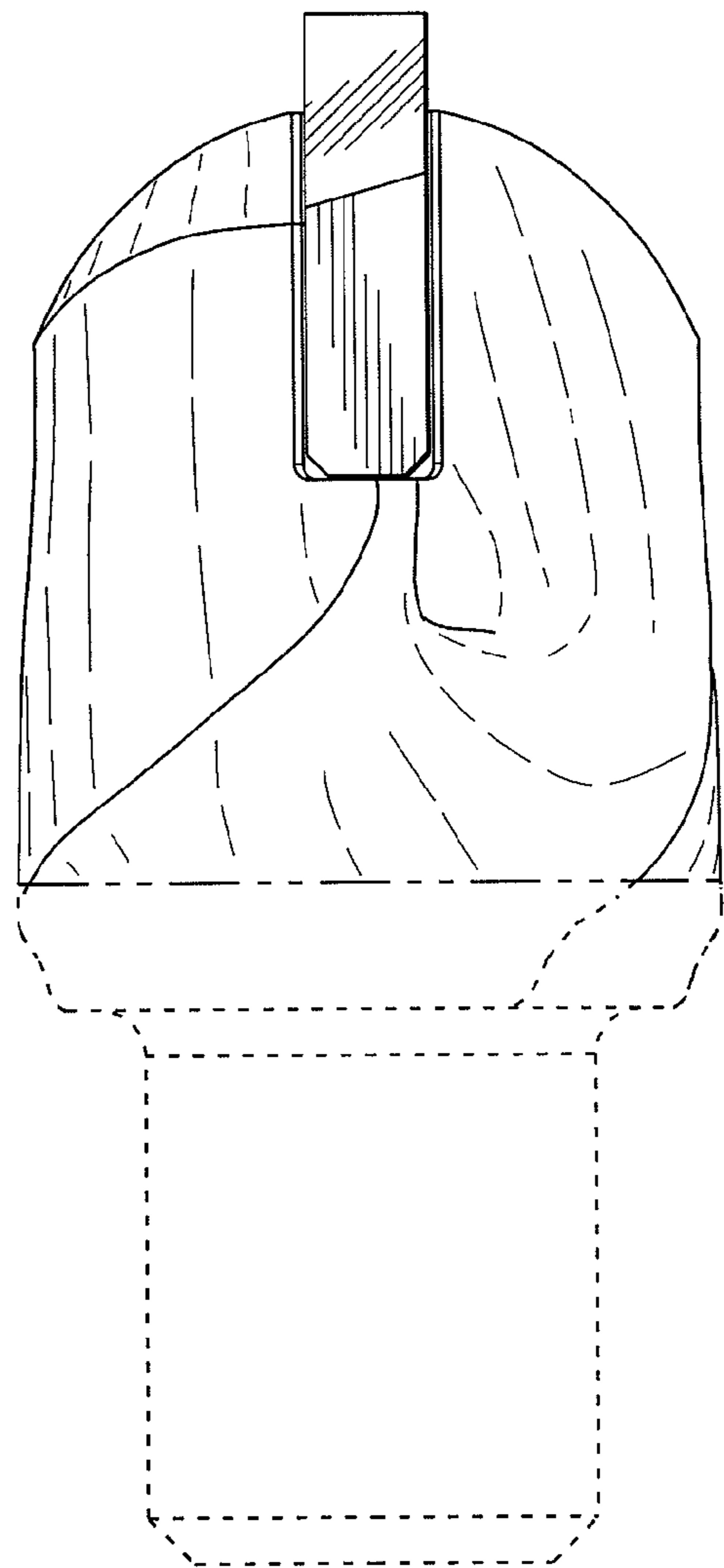


FIG. 2

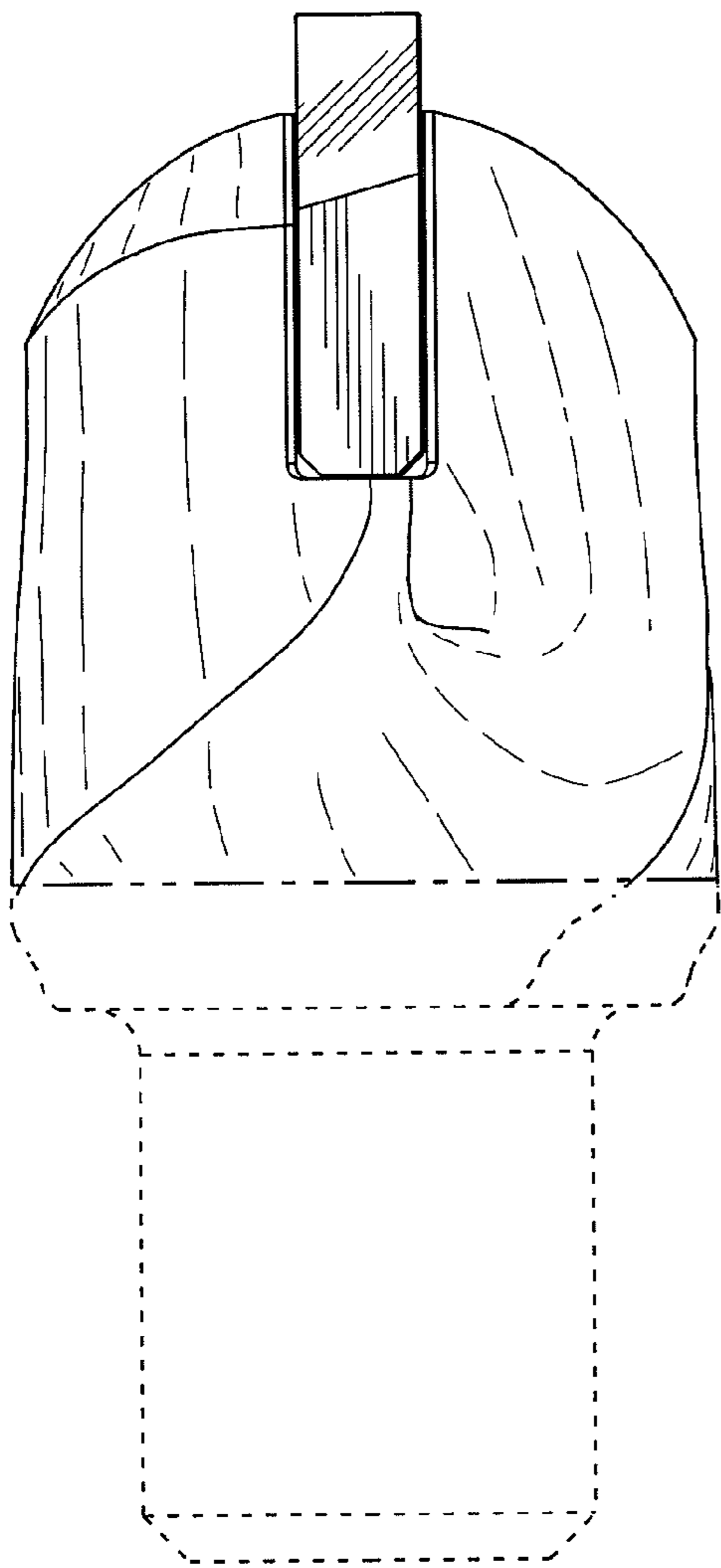


FIG. 3

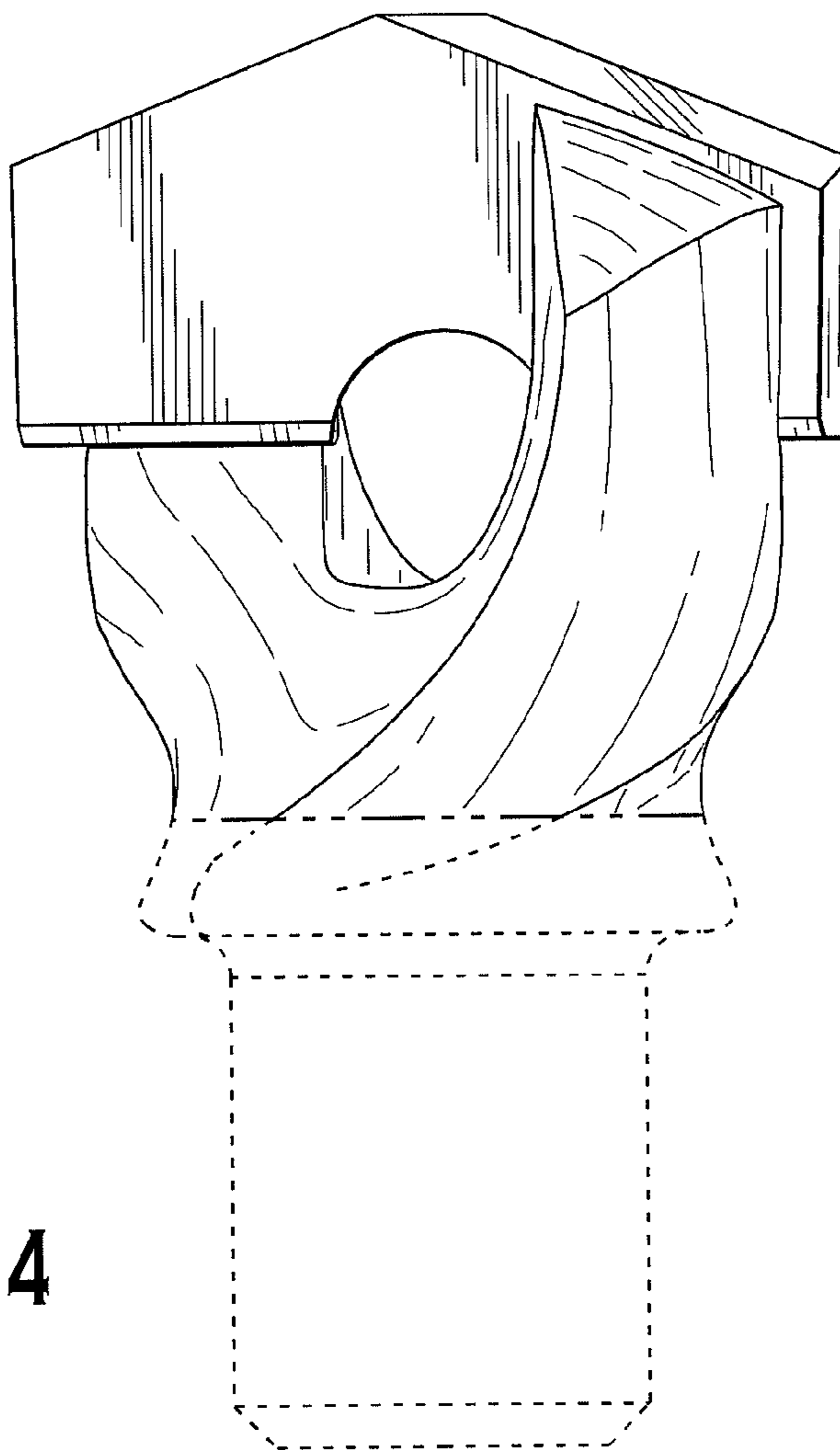


FIG. 4

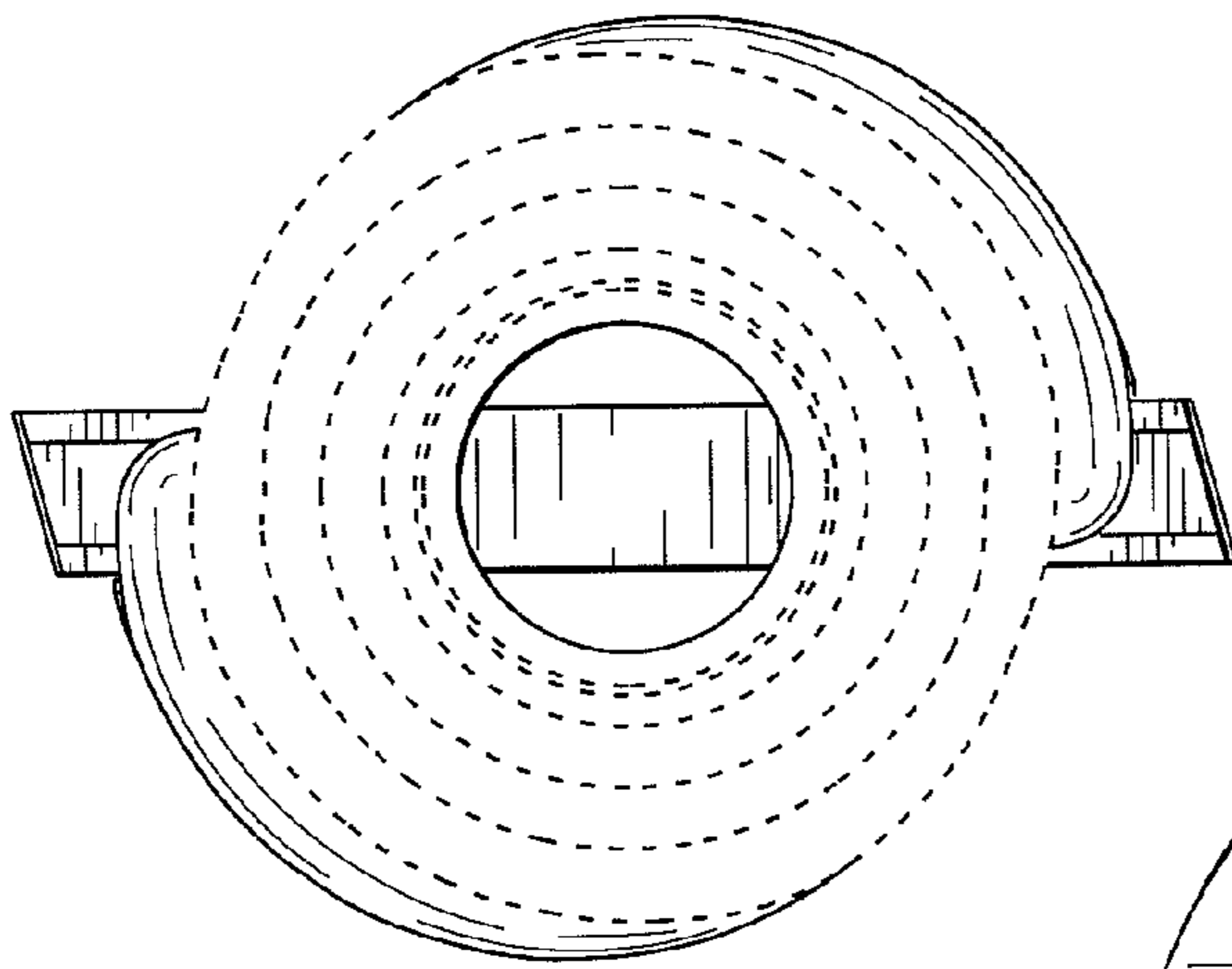


FIG. 5

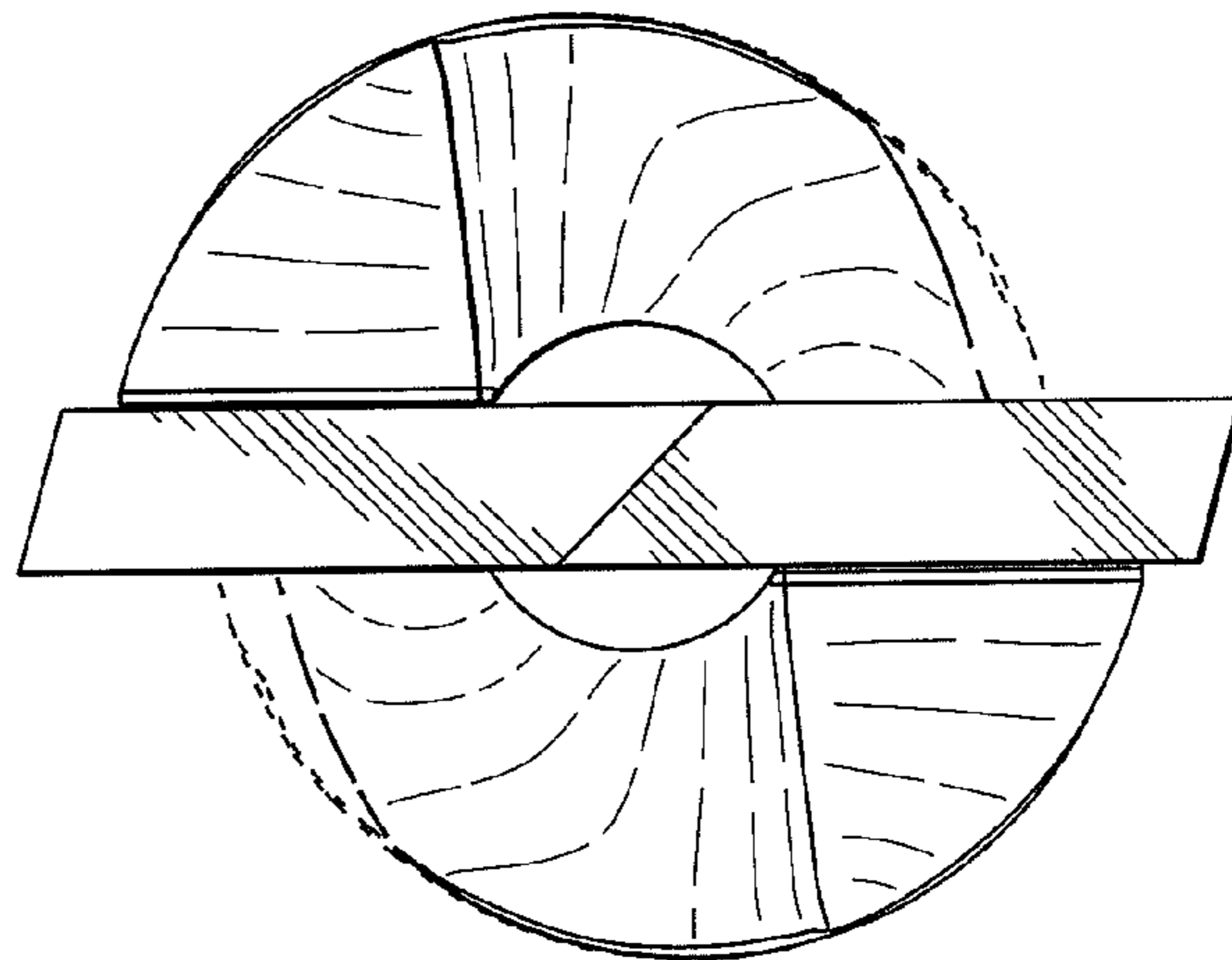


FIG. 6

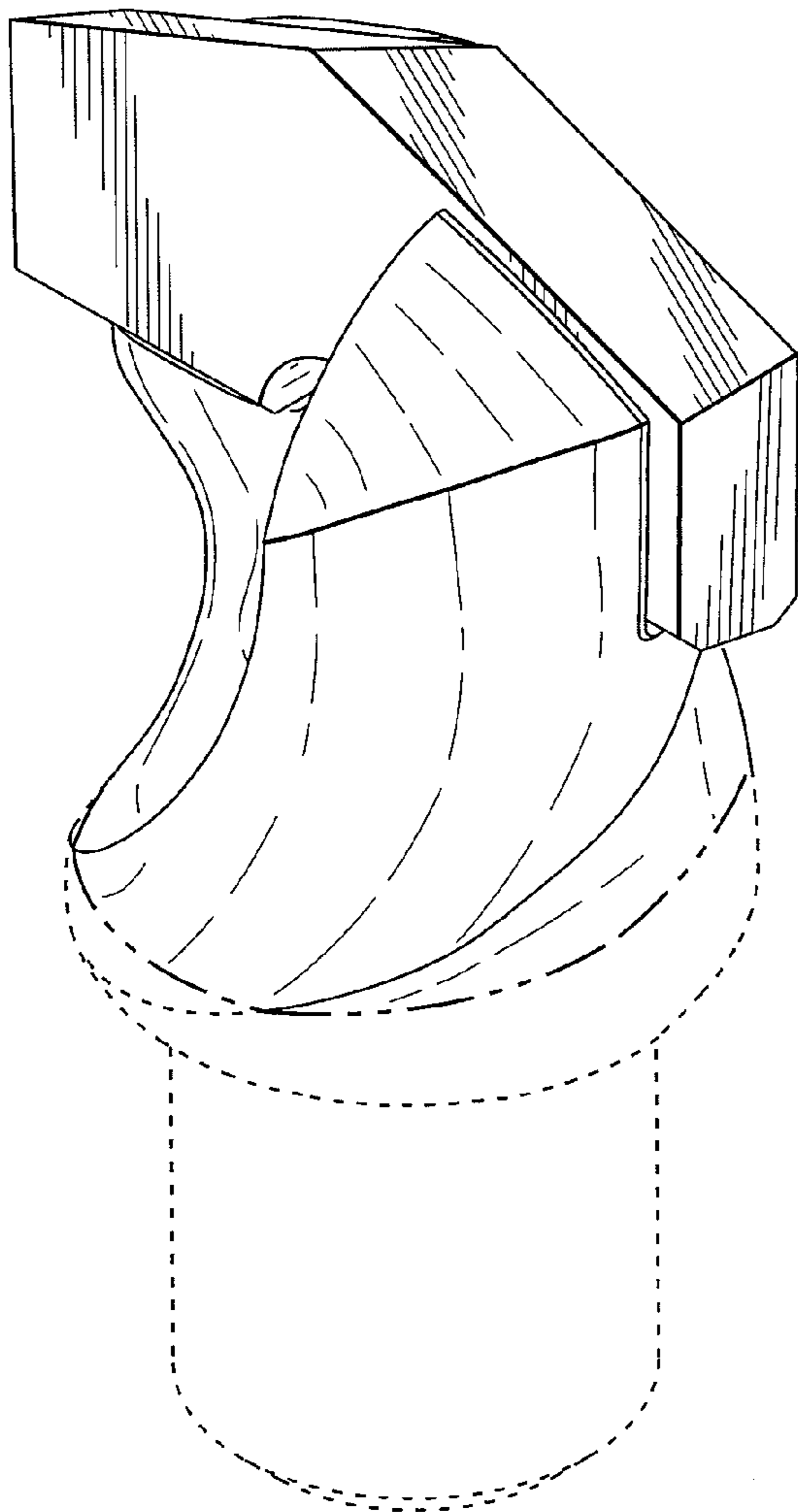


FIG. 7