

US00D624096S

(12) **United States Design Patent**
Jebb

(10) **Patent No.:** **US D624,096 S**

(45) **Date of Patent:** **** Sep. 21, 2010**

(54) **BAND SAW**

D520,032 S * 5/2006 Nortmann et al. D15/133
D522,828 S * 6/2006 Brazell et al. D8/64

(76) Inventor: **David Jebb**, Hill Farm, Sleep Hill Lane,
Skelbrooke, Doncaster (GB) DN6 8LZ

* cited by examiner

(**) Term: **14 Years**

Primary Examiner—Sandra Snapp
Assistant Examiner—Patricia Palasik

(21) Appl. No.: **29/339,466**

(74) *Attorney, Agent, or Firm*—Sonnenschein Nath &
Rosenthal LLP; Brian R. McGinley

(22) Filed: **Jun. 30, 2009**

(57) **CLAIM**

(30) **Foreign Application Priority Data**

Jan. 28, 2009 (EM) 001079750-0002

The ornamental design for a band saw, as shown and
described.

(51) **LOC (9) Cl.** **15-09**

DESCRIPTION

(52) **U.S. Cl.** **D15/134**

FIG. 1 is a perspective of a band saw embodying the new
design;

(58) **Field of Classification Search** D8/64,

D8/66; D15/133, 134; 83/62.1, 72, 76.7,
83/571, 748, 750, 788, 809–820

FIG. 2 is a right side view of the band saw illustrated in FIG.
1;

See application file for complete search history.

FIG. 3 is a rear view of the band saw illustrated in FIG. 1;

(56) **References Cited**

U.S. PATENT DOCUMENTS

2,579,955 A * 12/1951 Orescan 83/100
D336,653 S * 6/1993 Baird et al. D15/134
D395,438 S * 6/1998 Armstrong D15/134
D423,022 S * 4/2000 Brazell et al. D15/133
D434,049 S * 11/2000 Brazell D15/134
6,679,145 B1 * 1/2004 Lee 83/100
6,948,412 B2 * 9/2005 Brazell et al. 83/100

FIG. 4 is a front view of the band saw illustrated in FIG. 1;

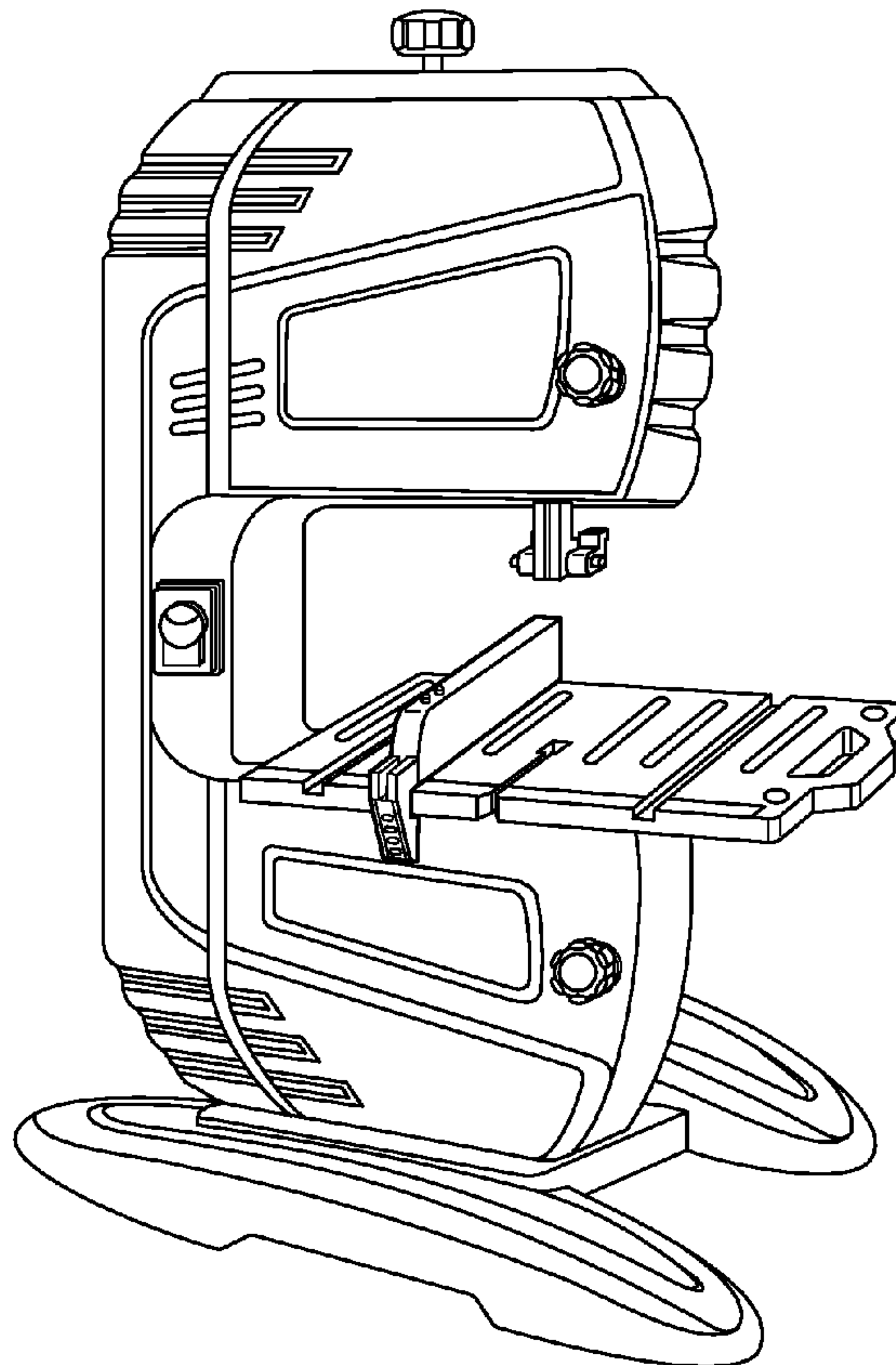
FIG. 5 is a bottom view of the band saw shown in FIG. 1; and

FIG. 6 is a top view of the band saw illustrated in FIG. 1; and,

FIG. 7 is a left side view of the band saw illustrated in FIG. 1.

The broken lines in the drawings depict unclaimed environ-
mental subject matter.

1 Claim, 7 Drawing Sheets



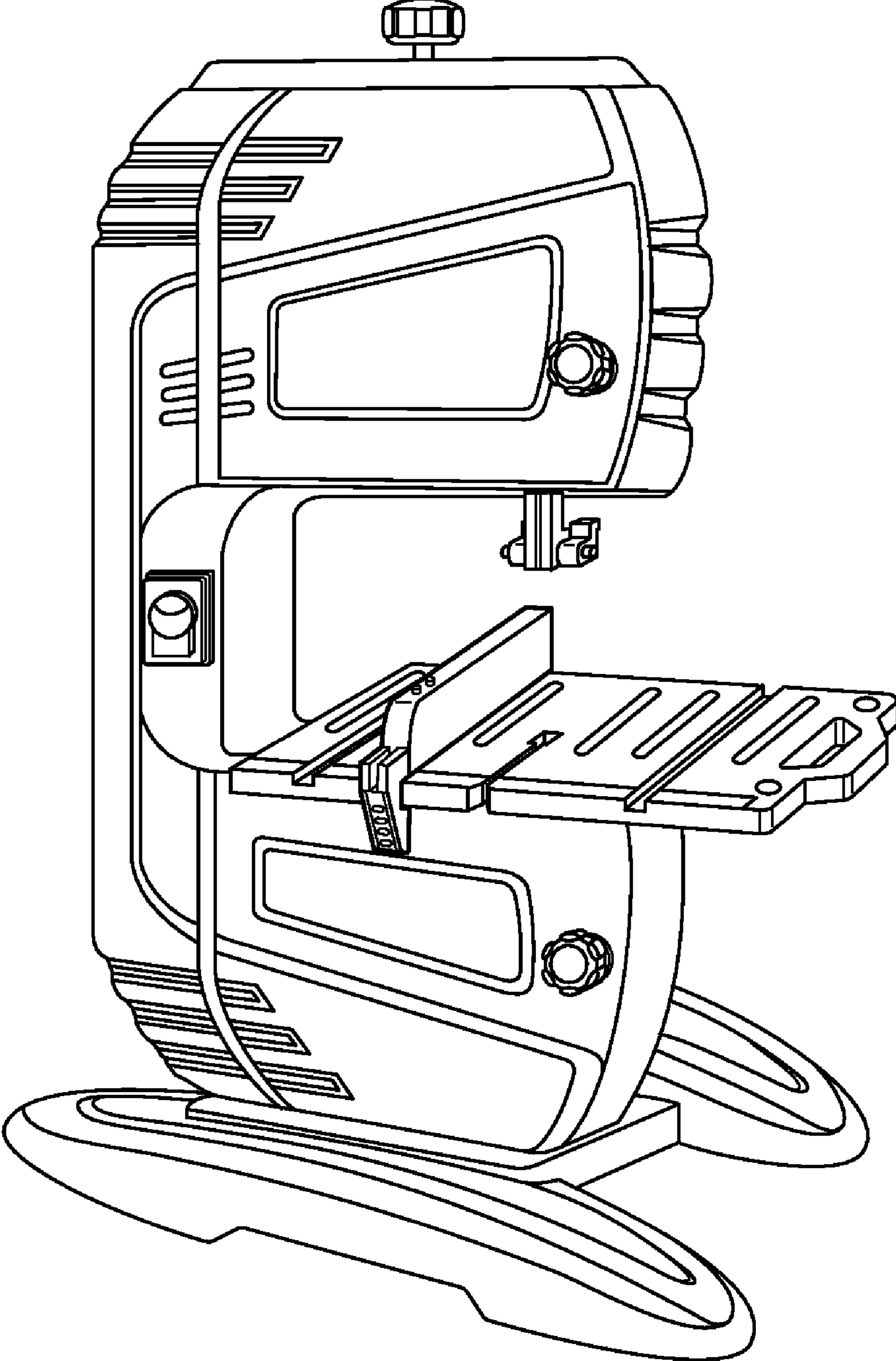


Fig. 1

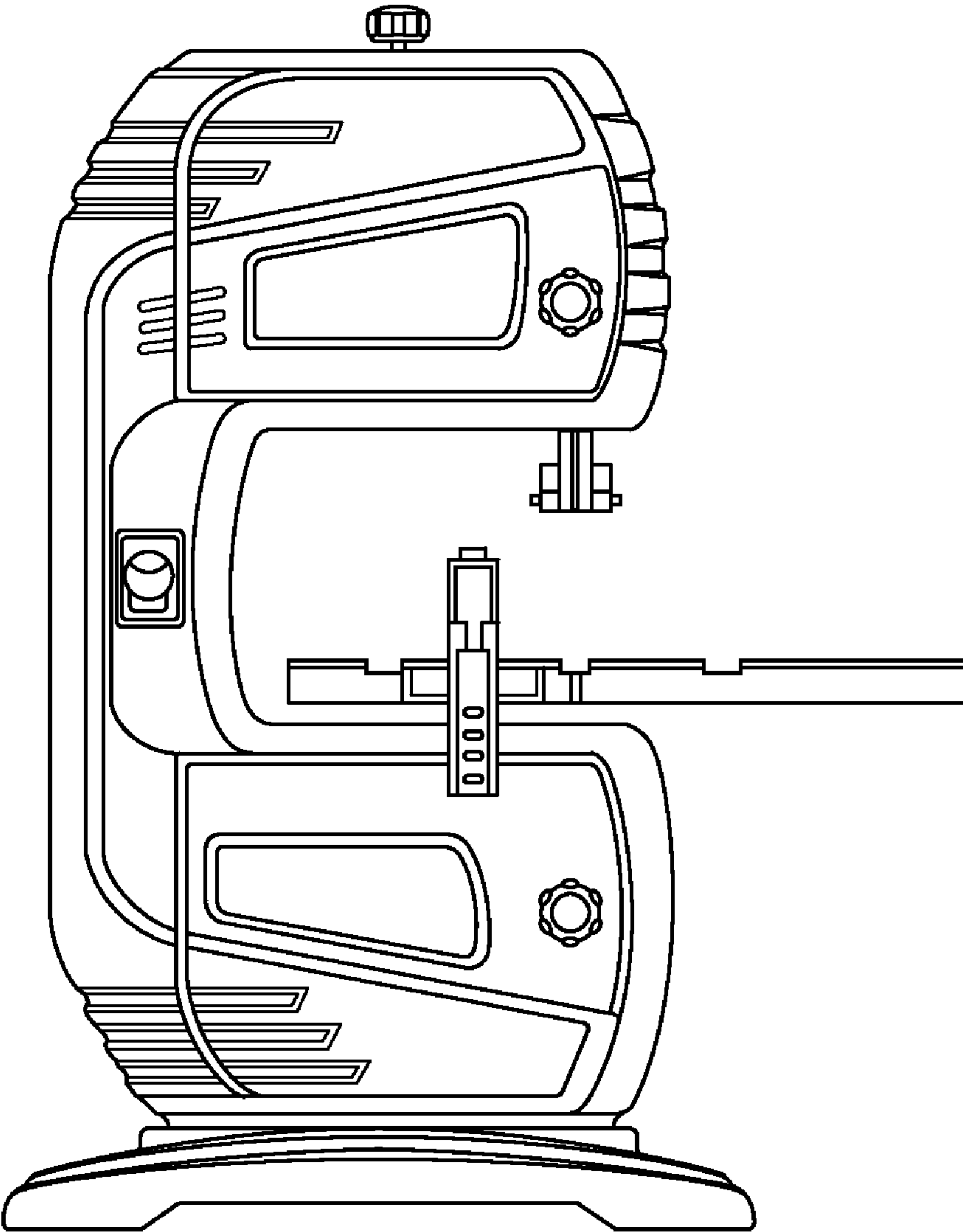


Fig. 2

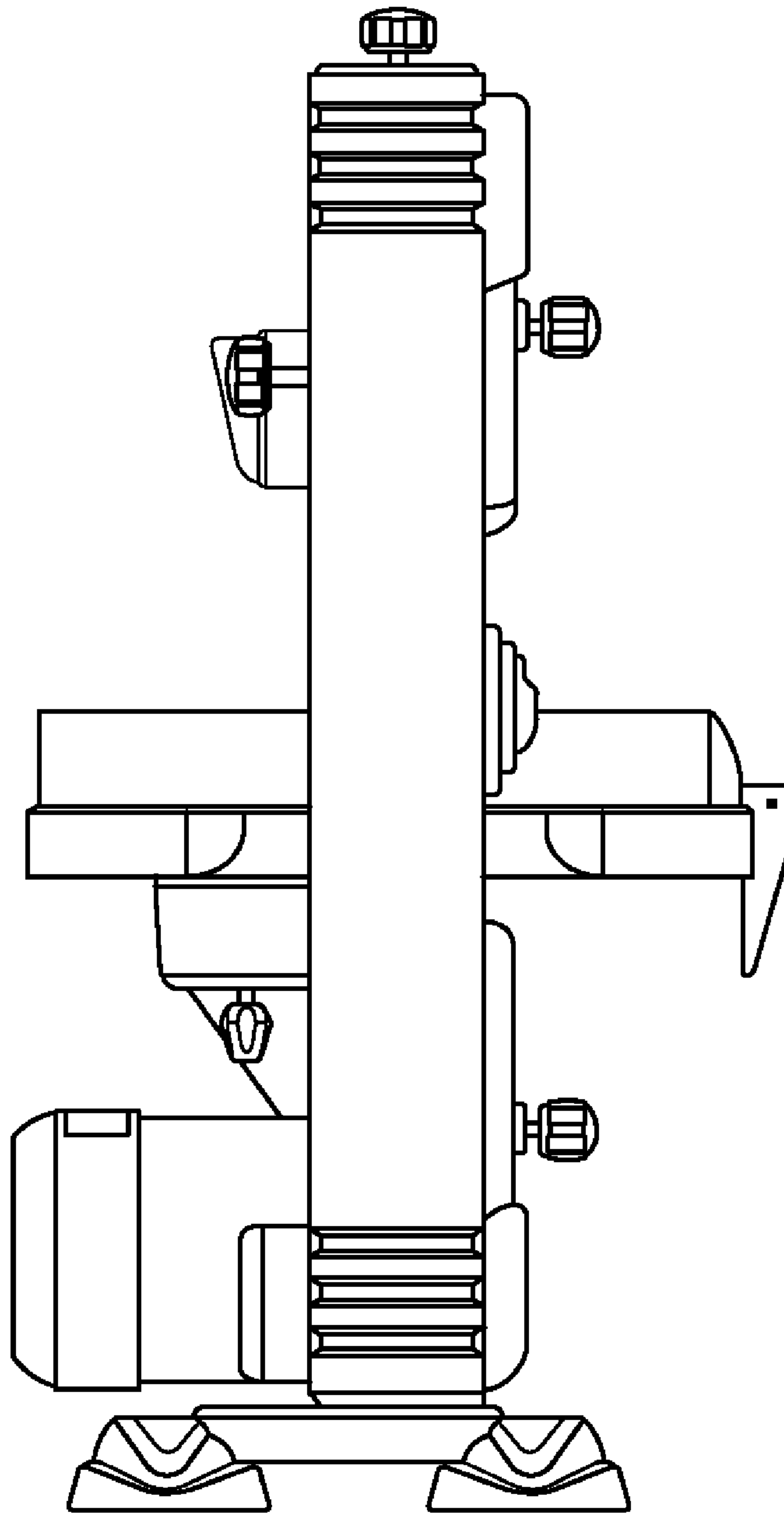


Fig. 3

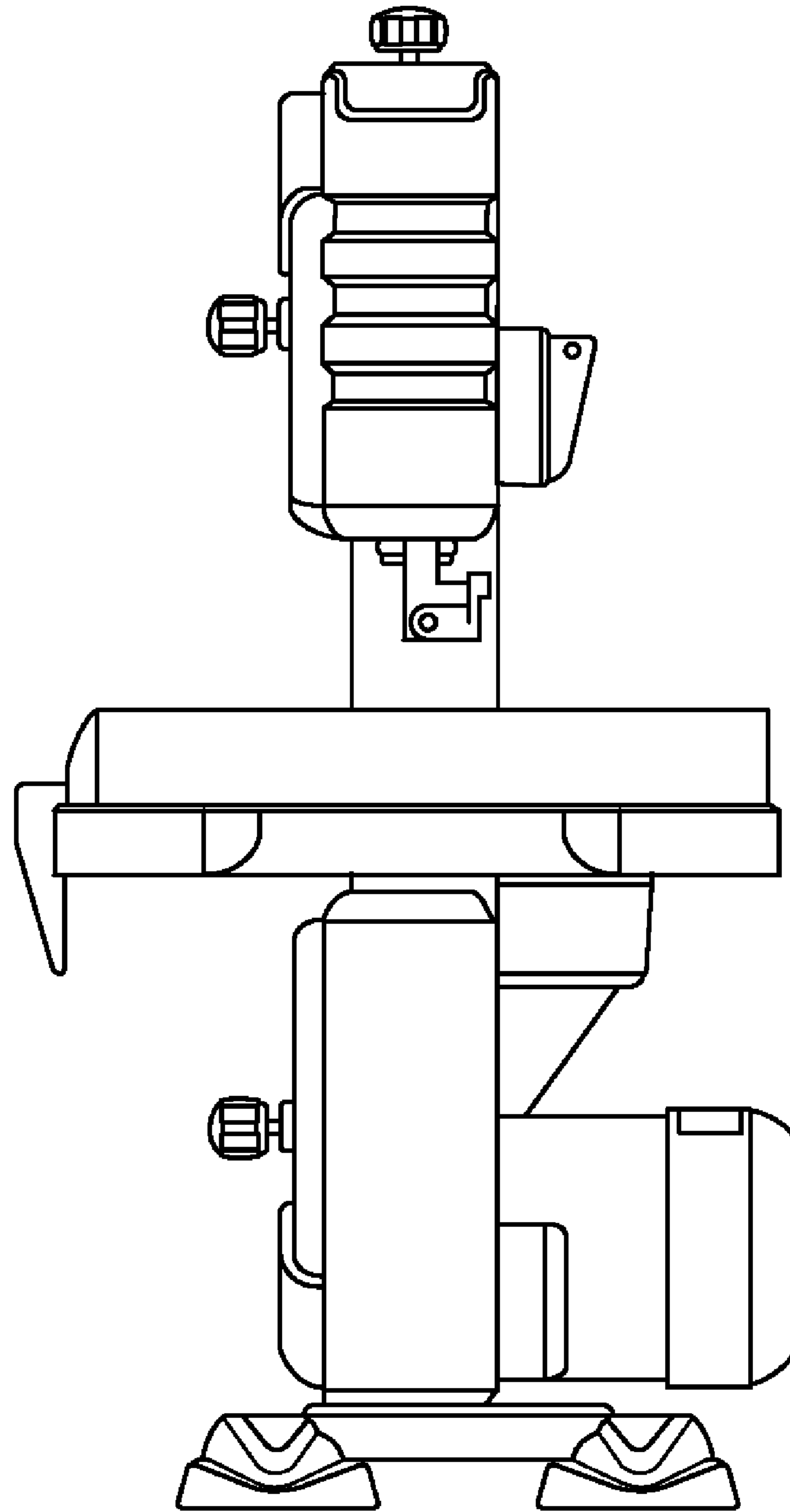


Fig. 4

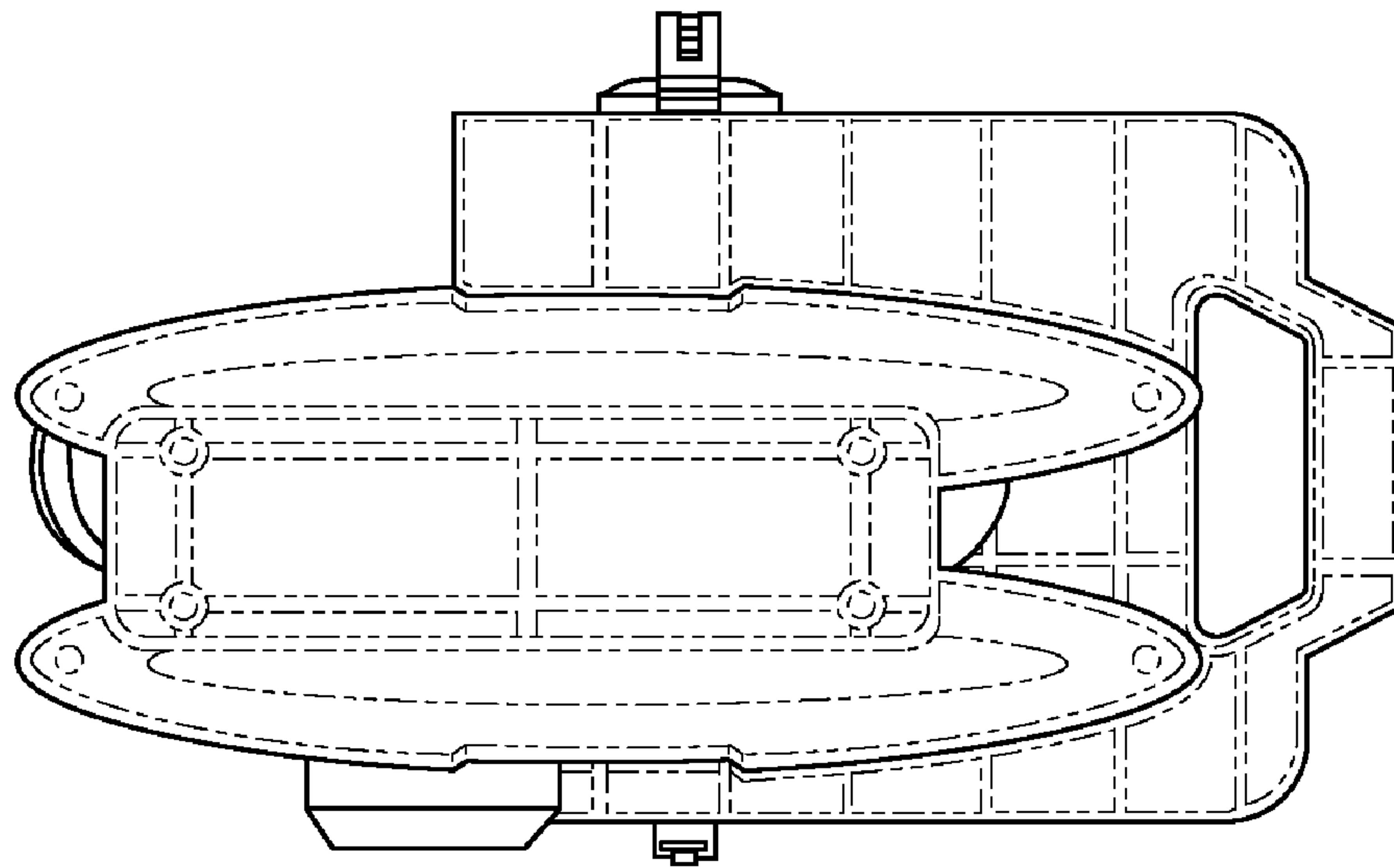


Fig. 5

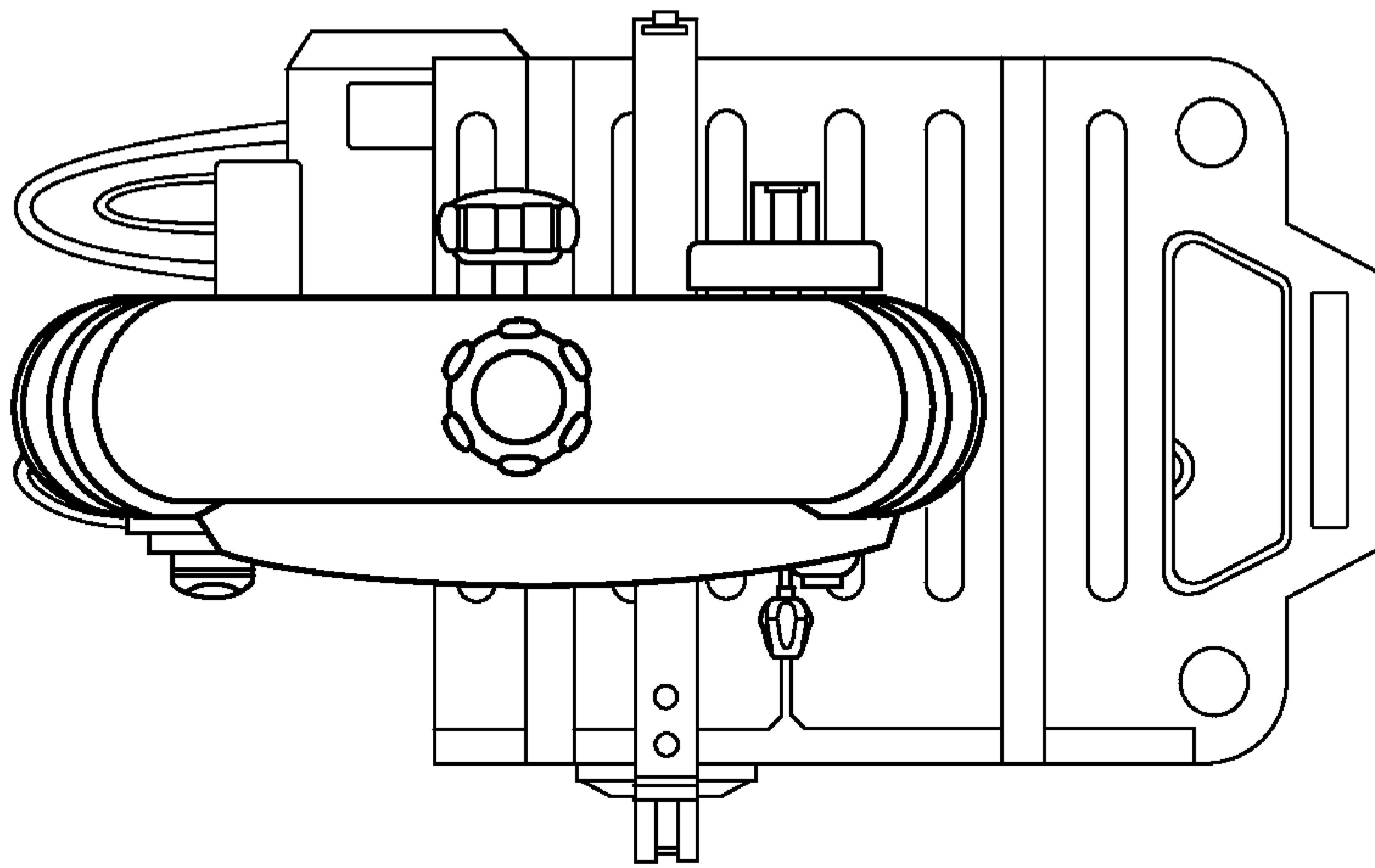


Fig. 6

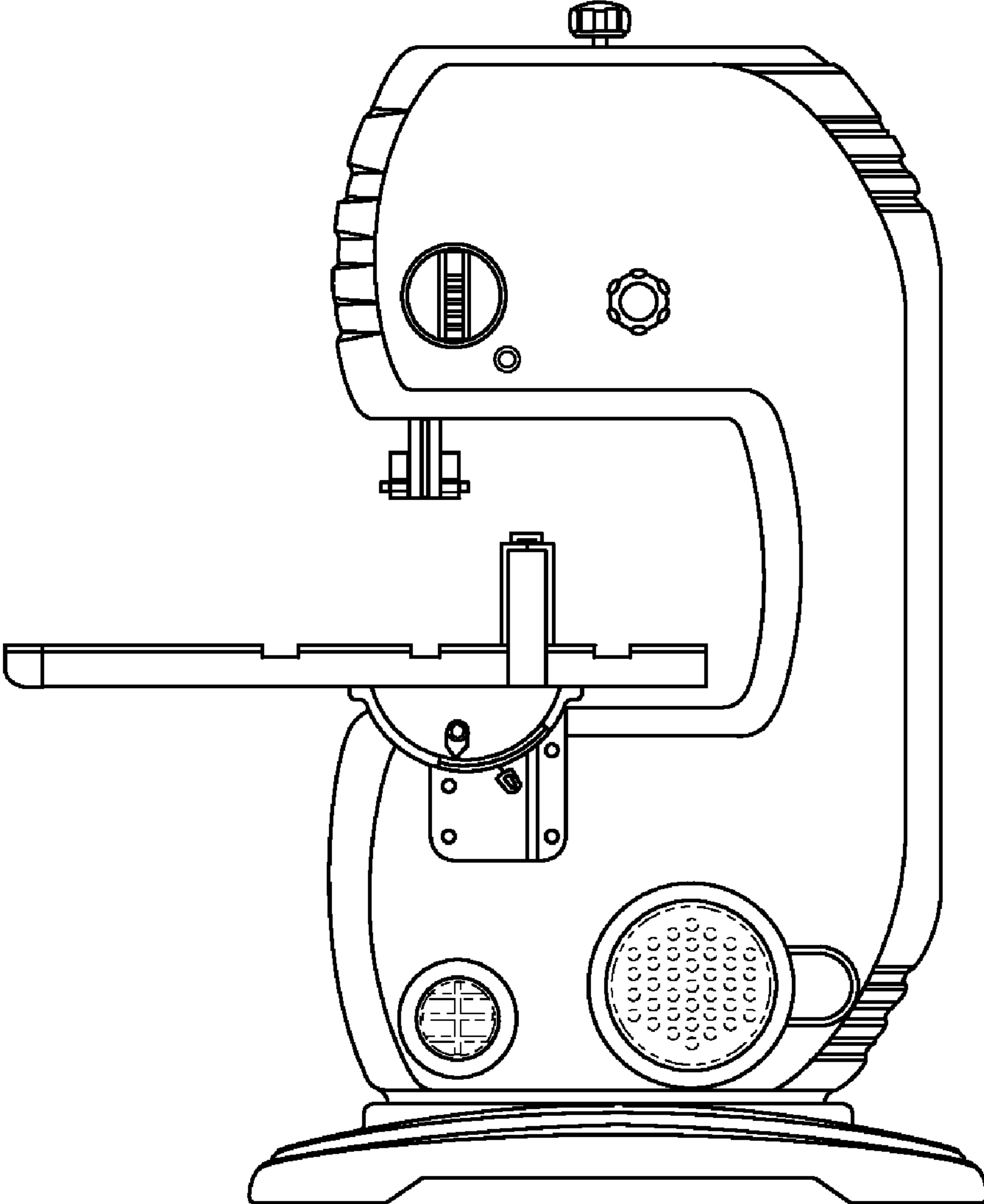


Fig. 7