



US00D624095S

(12) **United States Design Patent**
Chu

(10) **Patent No.:** **US D624,095 S**

(45) **Date of Patent:** **** Sep. 21, 2010**

(54) **CYLINDER HOUSING FOR AIR COMPRESSOR**

D603,876 S * 11/2009 Chu D15/9
D603,877 S * 11/2009 Chu D15/9

(76) Inventor: **Henry C. Chu**, 133N. Lemon St.,
Orange, CA (US) 92866

* cited by examiner

Primary Examiner—Ralf Seifert

(74) *Attorney, Agent, or Firm*—Charles E. Baxley

(**) Term: **14 Years**

(21) Appl. No.: **29/348,227**

(57) **CLAIM**

(22) Filed: **Dec. 10, 2009**

The ornamental design for a cylinder housing for air compressor, as shown and described.

(51) **LOC (9) Cl.** **15-02**

(52) **U.S. Cl.** **D15/9**

(58) **Field of Classification Search** D15/7-9;
D23/231, 232, 225; 417/410.1, 359, 415-416,
417/234, 321, 265, 405

See application file for complete search history.

DESCRIPTION

FIG. 1 is a front perspective view of a cylinder housing for air compressor showing my new design;

FIG. 2 is a front elevational view thereof, the broken lines are included for the purpose of illustrating a portion of the cylinder housing for an air compressor that forms no part of the claimed design;

FIG. 3 is a rear elevational view thereof;

FIG. 4 is a top plan view thereof;

FIG. 5 is a bottom plan view thereof;

FIG. 6 is a left side elevational view thereof;

FIG. 7 is a right side elevational view thereof; and,

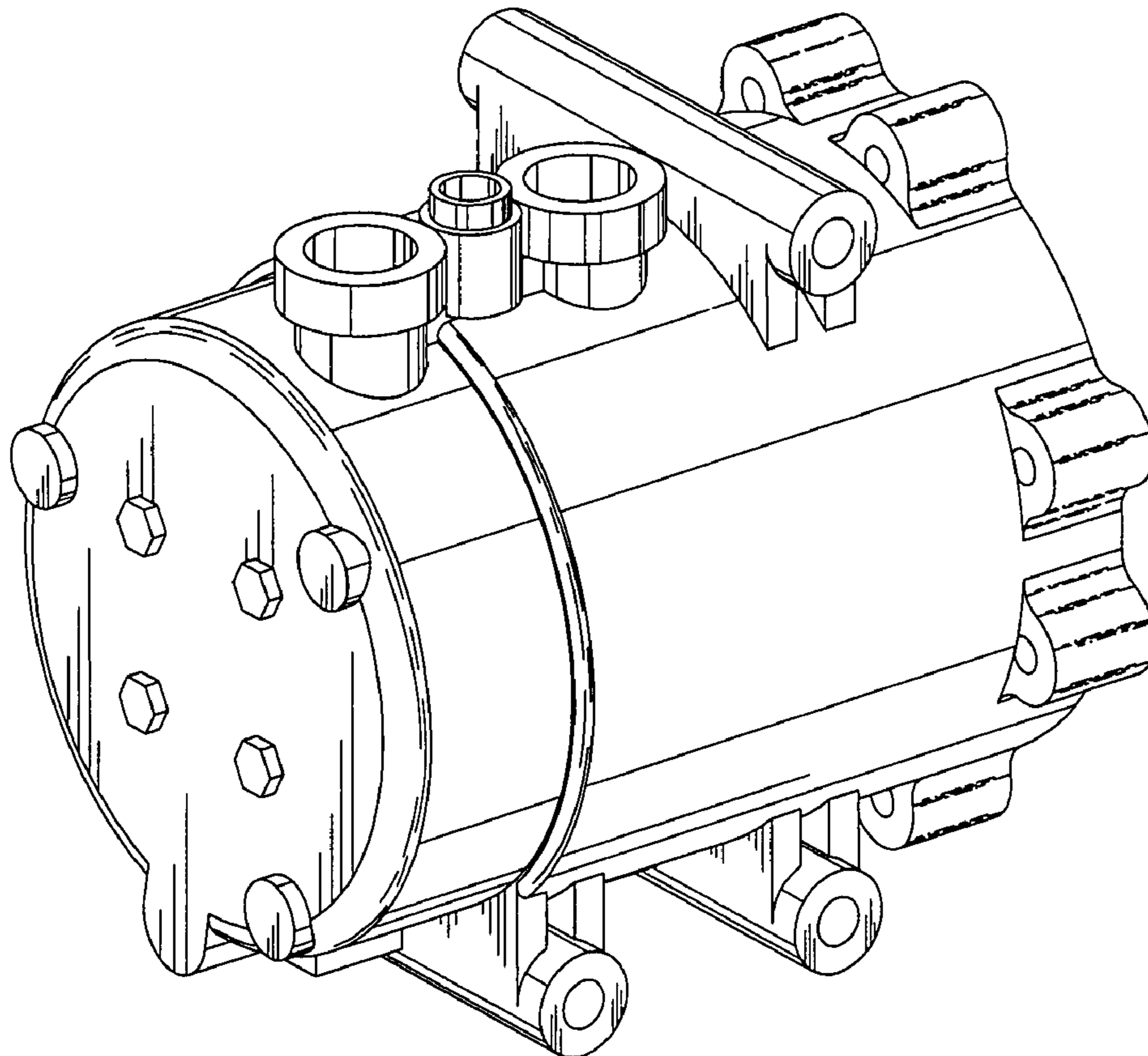
FIG. 8 is a rear perspective view thereof.

(56) **References Cited**

U.S. PATENT DOCUMENTS

D282,471 S *	2/1986	Bearint et al.	D15/9
D352,291 S *	11/1994	Ikeda et al.	D15/7
D381,340 S *	7/1997	Takenaka et al.	D15/9
D462,364 S *	9/2002	Fujita et al.	D15/9
D466,524 S *	12/2002	Makino et al.	D15/9
D466,526 S *	12/2002	Fujii et al.	D15/9
D537,452 S *	2/2007	Chu	D15/9
D538,301 S *	3/2007	Chu	D15/9
D540,823 S *	4/2007	An	D15/9

1 Claim, 5 Drawing Sheets



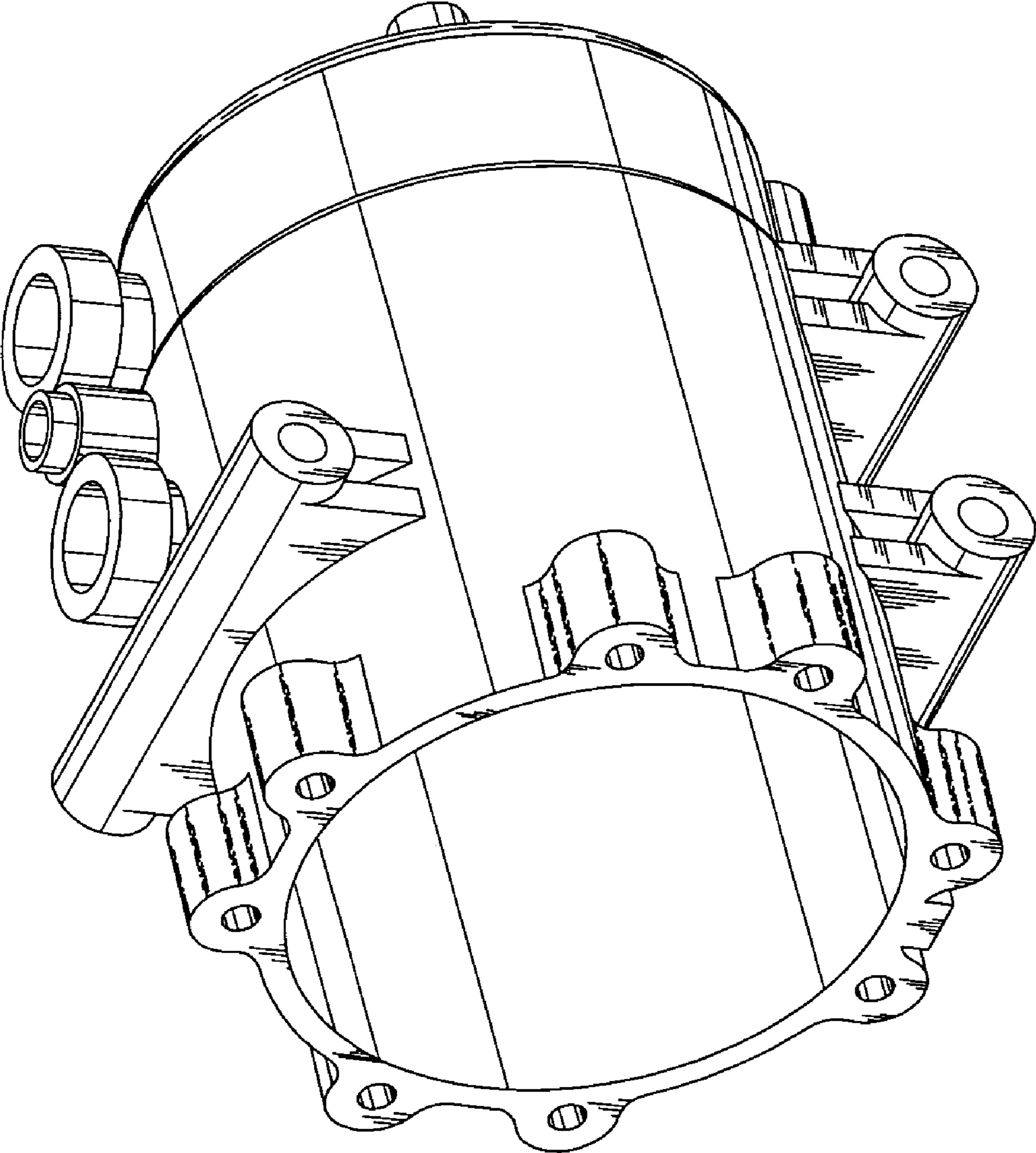


FIG. 1

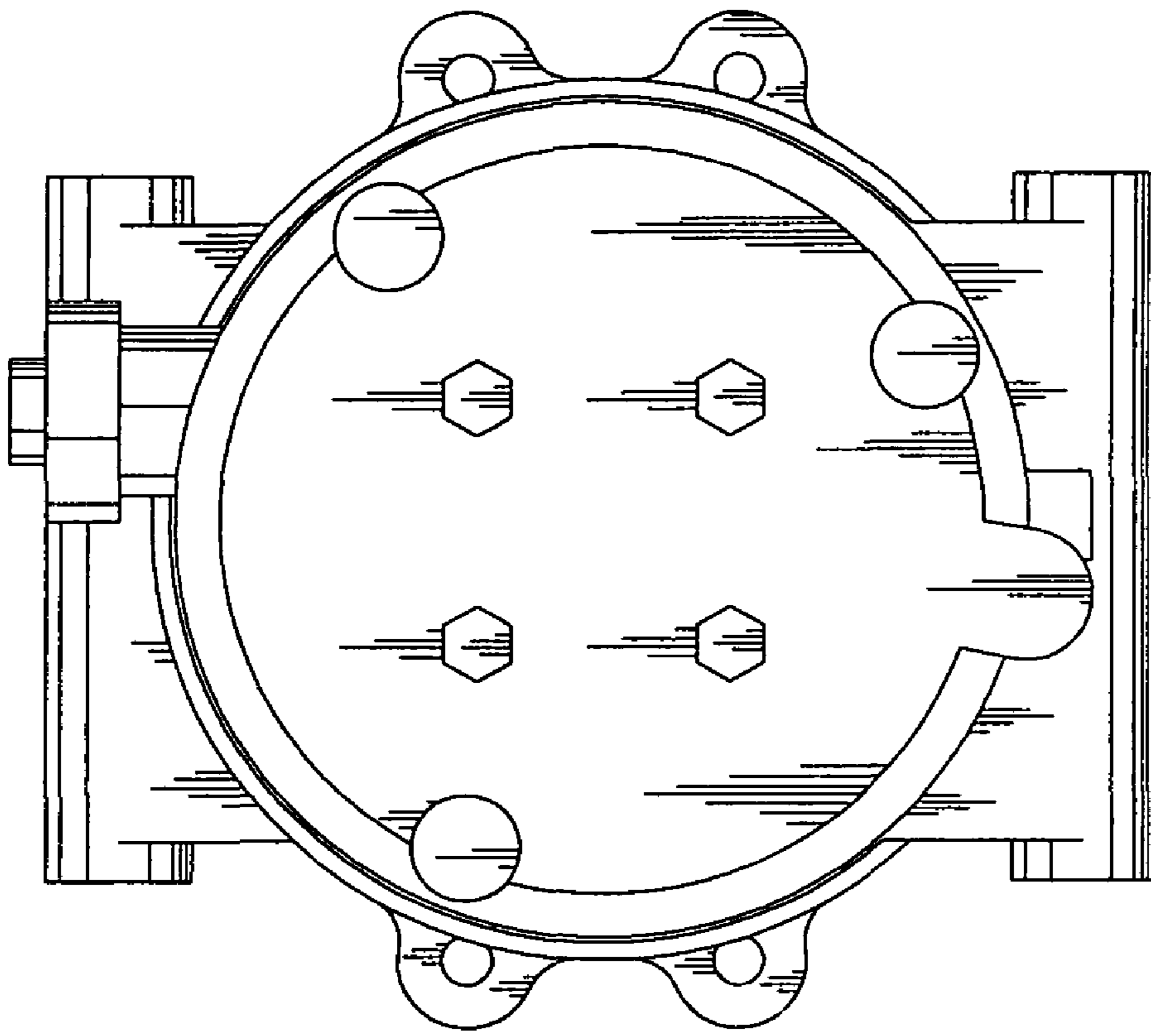


FIG. 2

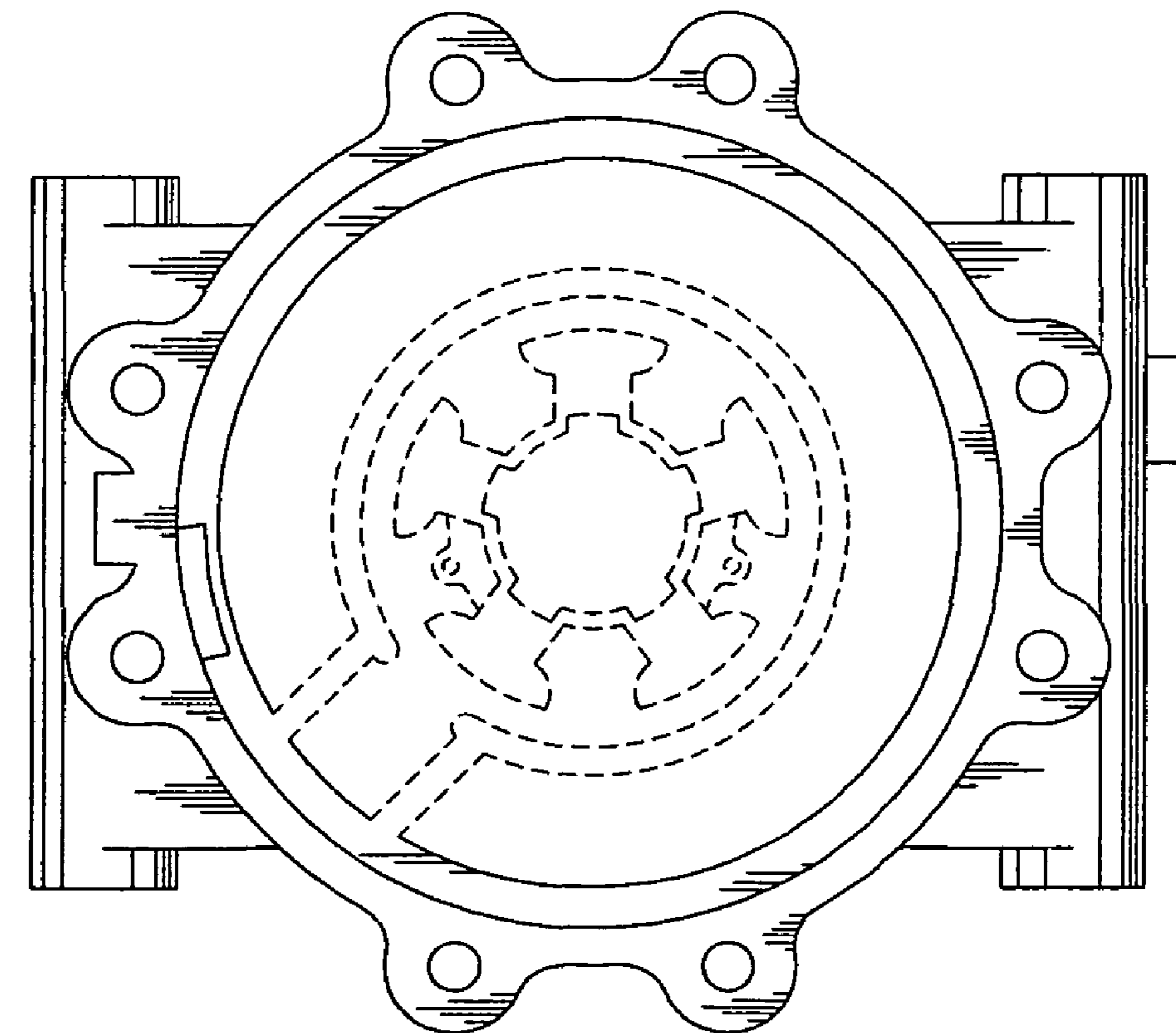


FIG. 3

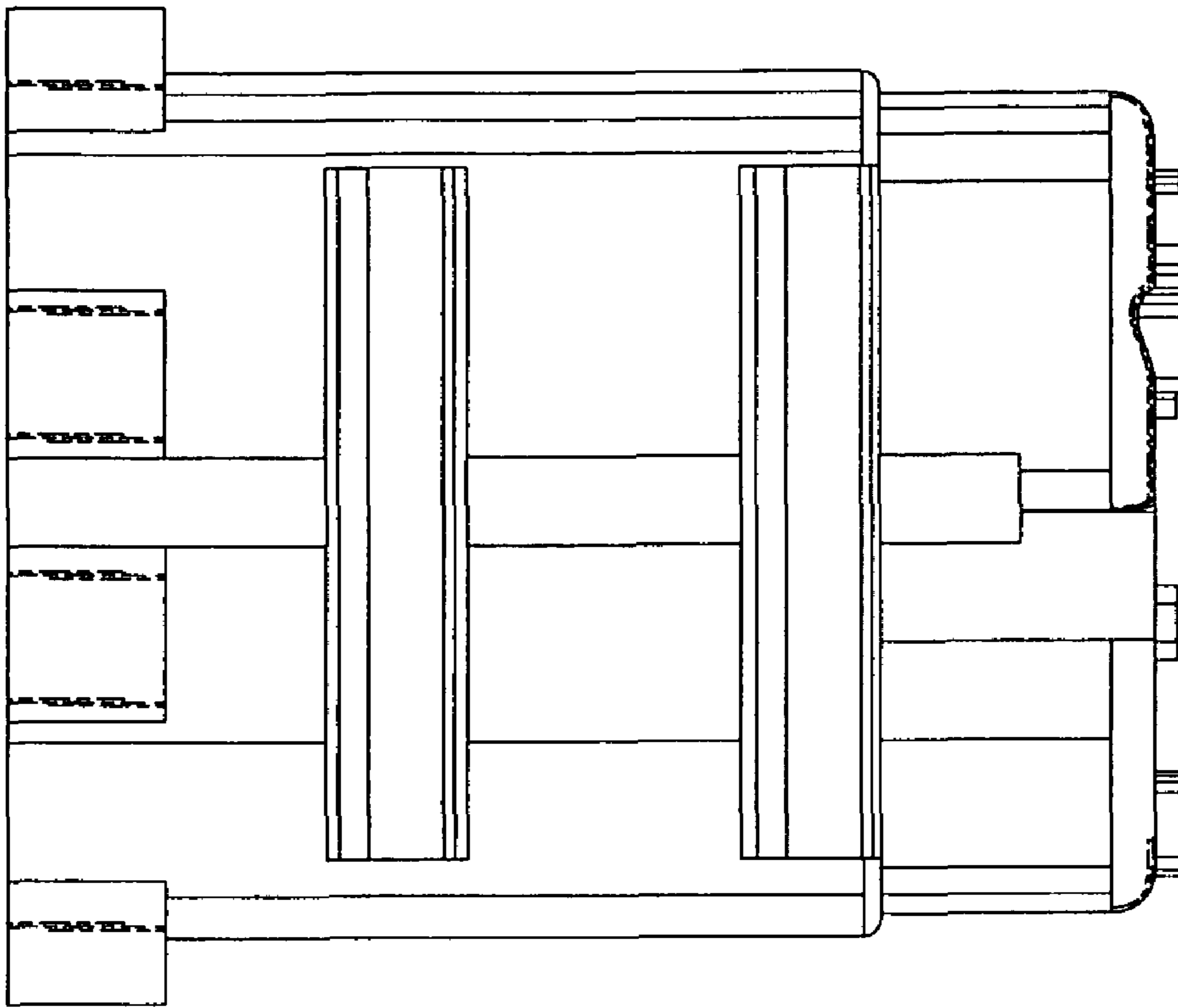


FIG. 5

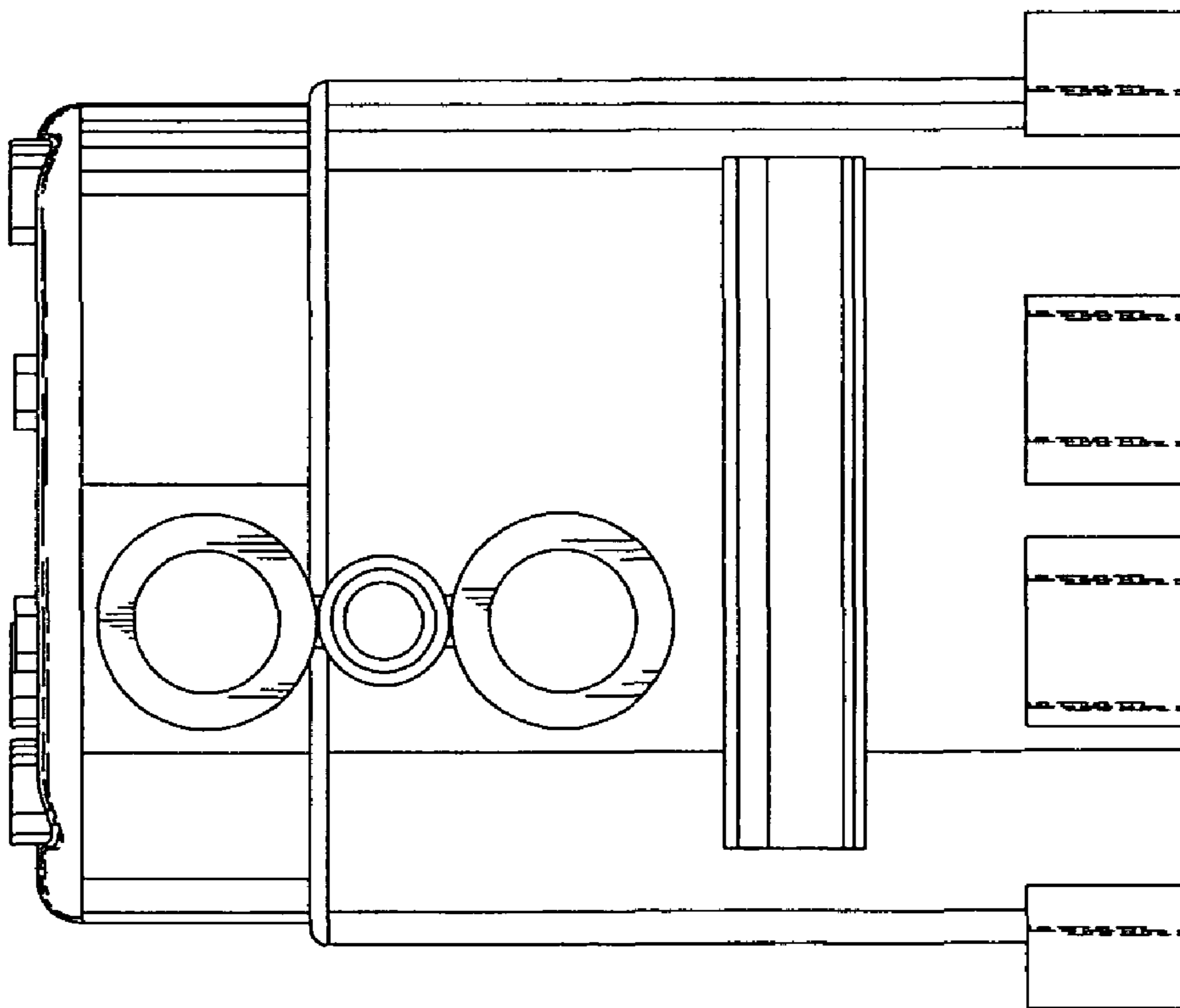


FIG. 4

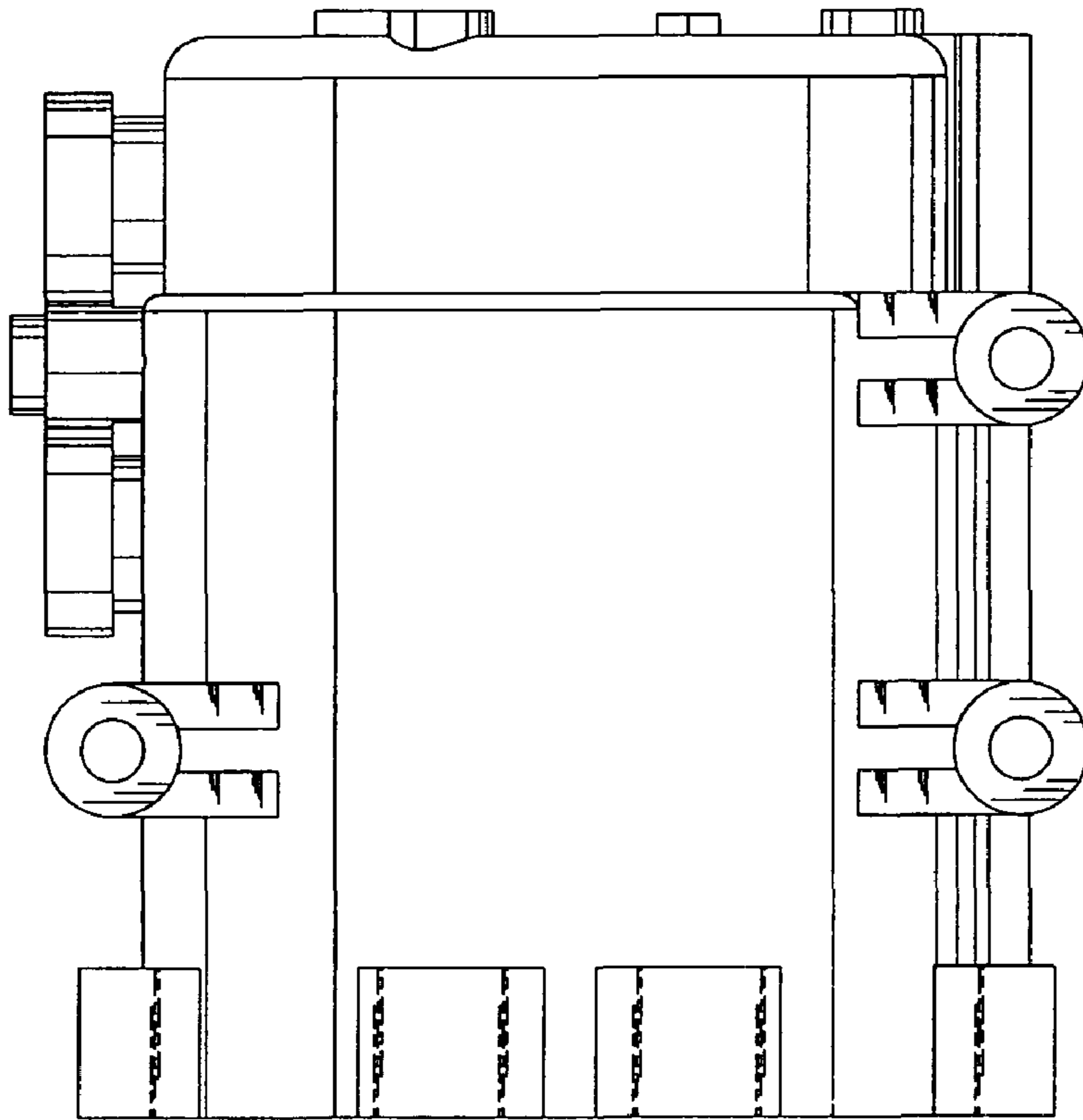


FIG. 7

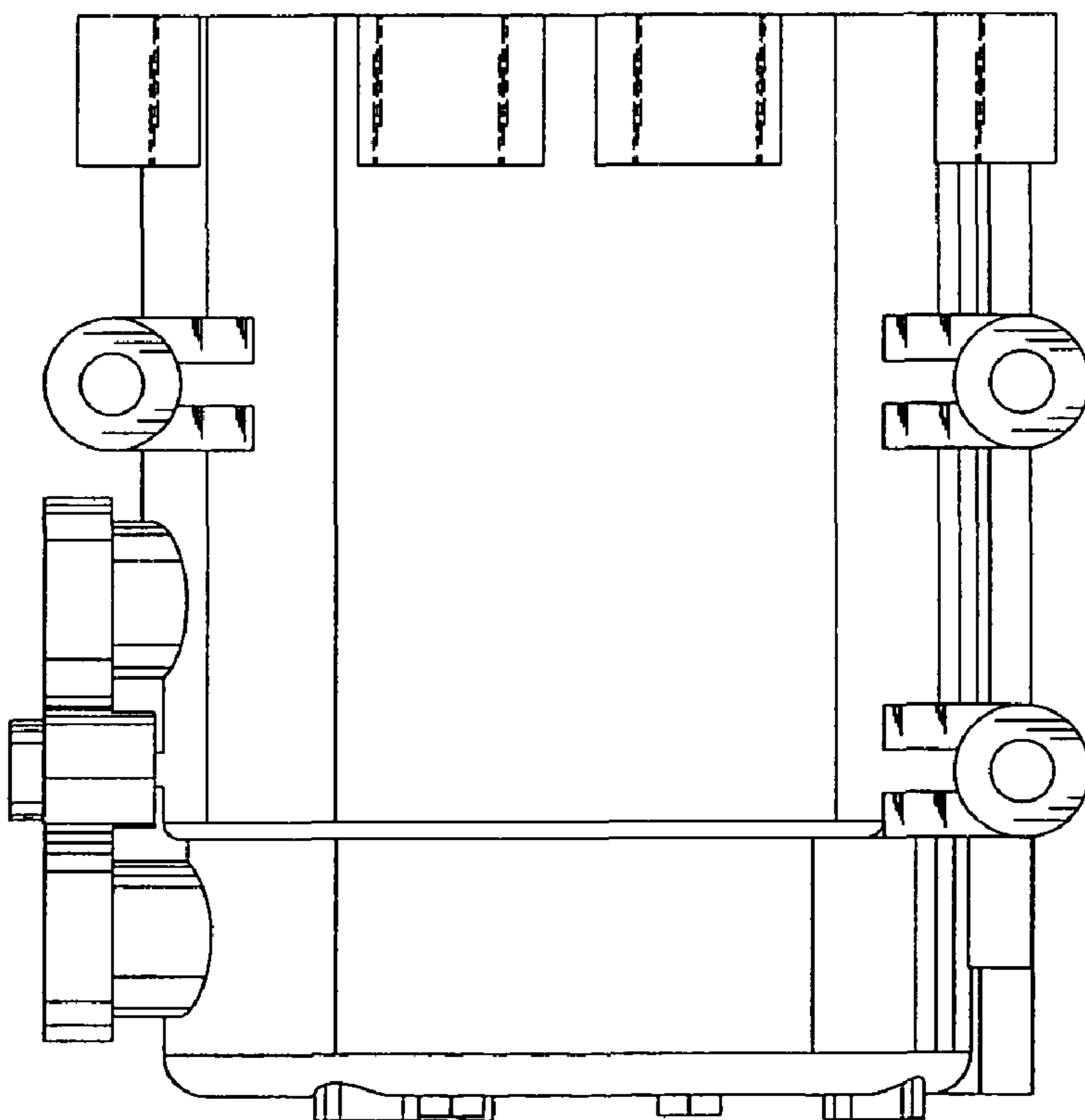


FIG. 6

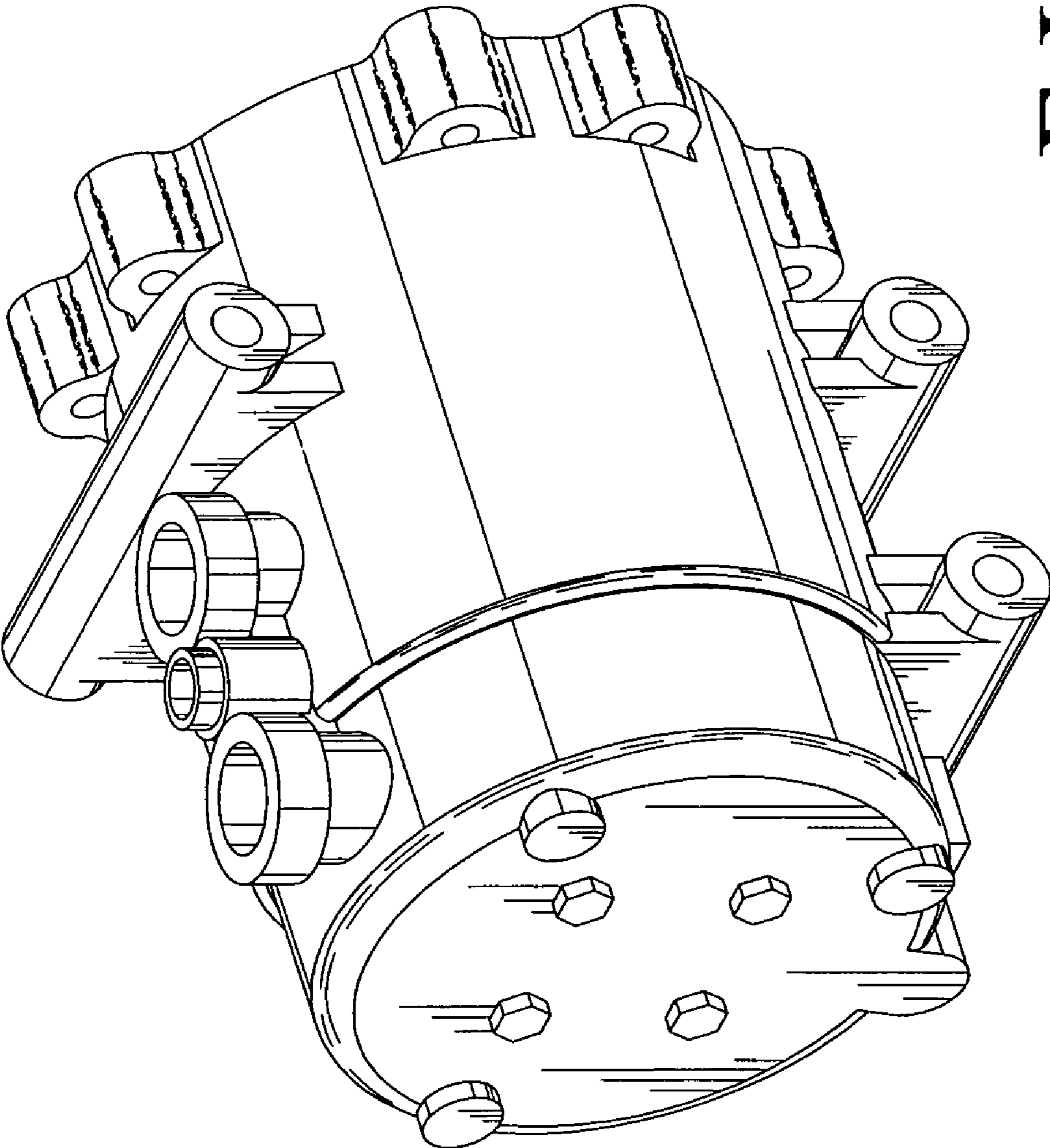


FIG. 8