



US00D624094S

(12) **United States Design Patent**
Chen

(10) **Patent No.:** **US D624,094 S**

(45) **Date of Patent:** **** Sep. 21, 2010**

(54) **CYLINDER FOR AN AIR COMPRESSOR**

D537,842 S * 3/2007 Moser D15/9
D590,421 S * 4/2009 Shibukawa D15/7

(76) Inventor: **Chi-Ming Chen**, 8F., No. 205, Sec. 3,
Pei Hsin Road, Hsintien City, Taipei
Hsien (TW)

* cited by examiner

Primary Examiner—Ralf Seifert

(74) *Attorney, Agent, or Firm*—Leong C. Lei

(**) Term: **14 Years**

(57) **CLAIM**

(21) Appl. No.: **29/344,664**

The ornamental design for a cylinder for an air compressor, as shown and described.

(22) Filed: **Oct. 2, 2009**

DESCRIPTION

(51) **LOC (9) Cl.** **15-02**

(52) **U.S. Cl.** **D15/9**

(58) **Field of Classification Search** D15/7-9;
D23/231, 232, 225; 417/60, 235, 265, 321,
417/355, 358, 363, 359, 410.1, 415-416,
417/405, 900; 60/408, 412; 184/26-37;
415/140-147; 123/495, 509

See application file for complete search history.

FIG. 1 is a perspective view of a cylinder for an air compressor showing my new design;

FIG. 2 is a front elevational view thereof;

FIG. 3 is a rear elevational view thereof;

FIG. 4 is a right side perspective view thereof;

FIG. 5 is a left side perspective view thereof;

FIG. 6 is a top plan view thereof;

FIG. 7 is a bottom plan view thereof; and,

FIG. 8 is another perspective view thereof, with the air compressor engaged.

The dotted line showing of the air compressor is for illustrative purposes only and forms no part of the claimed design.

(56) **References Cited**

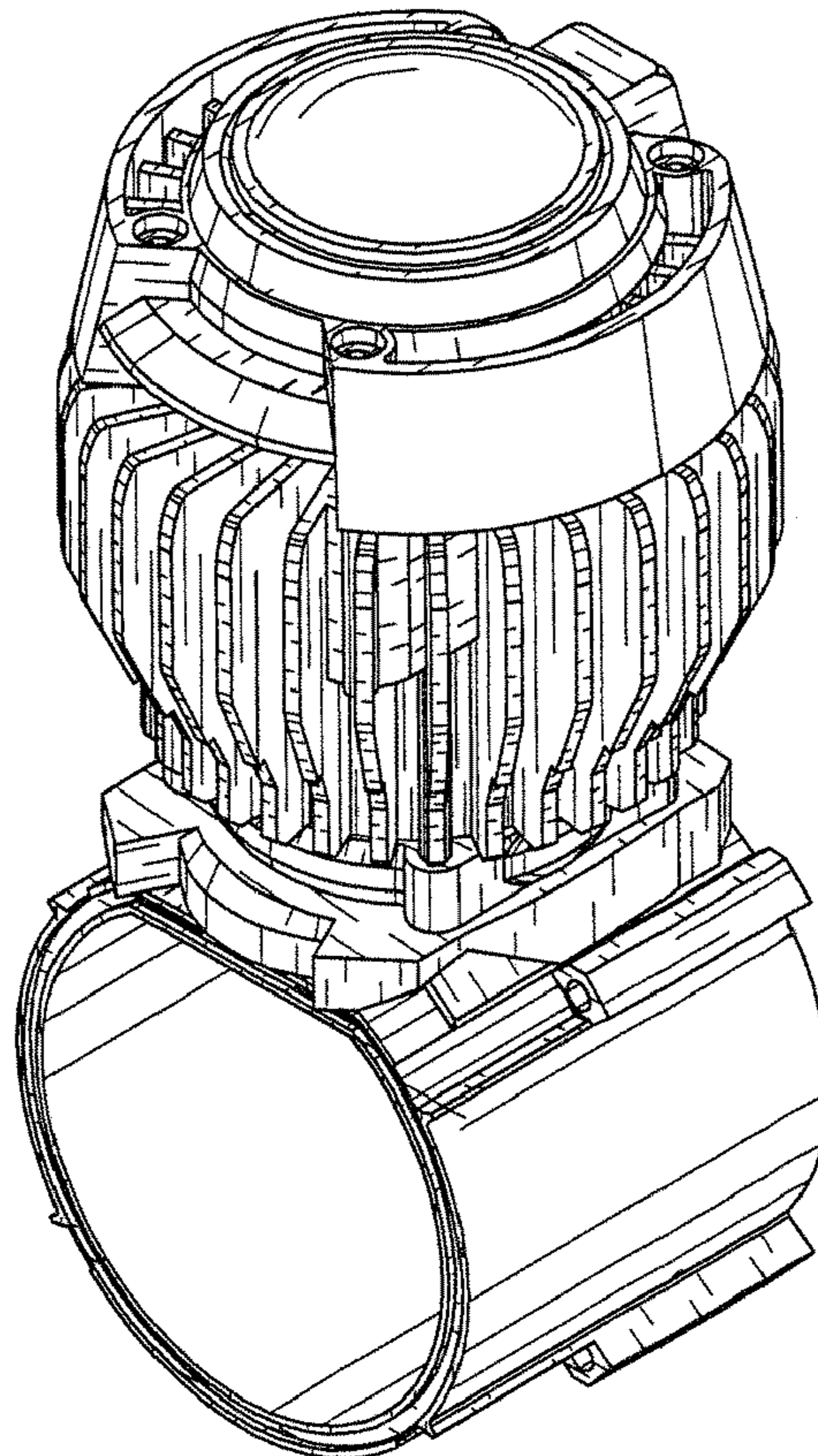
U.S. PATENT DOCUMENTS

D419,567 S * 1/2000 Weiss D15/7

D471,567 S * 3/2003 Perrine D15/79

D486,835 S * 2/2004 Hsiao D15/9

1 Claim, 8 Drawing Sheets



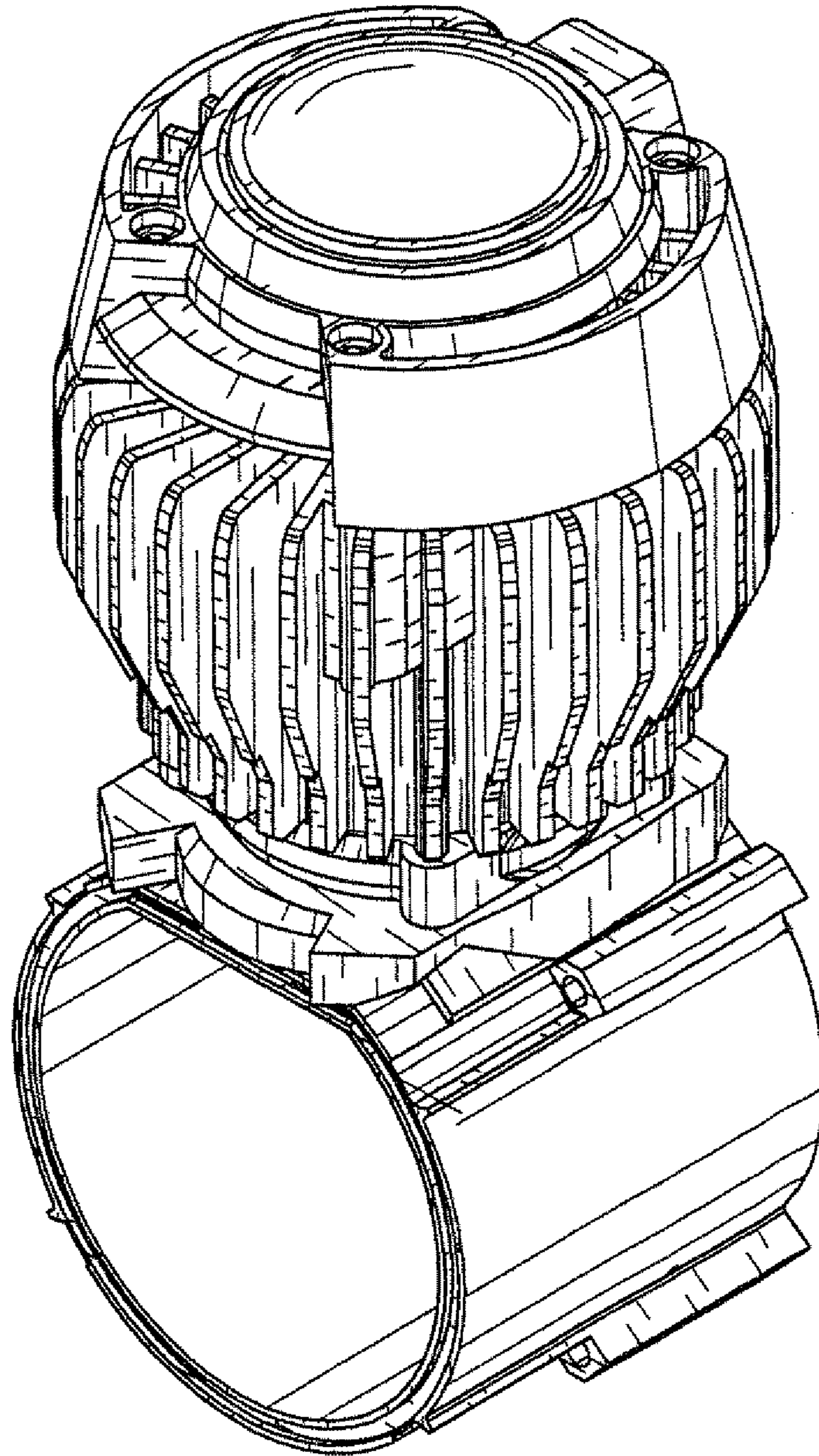


FIG. 1

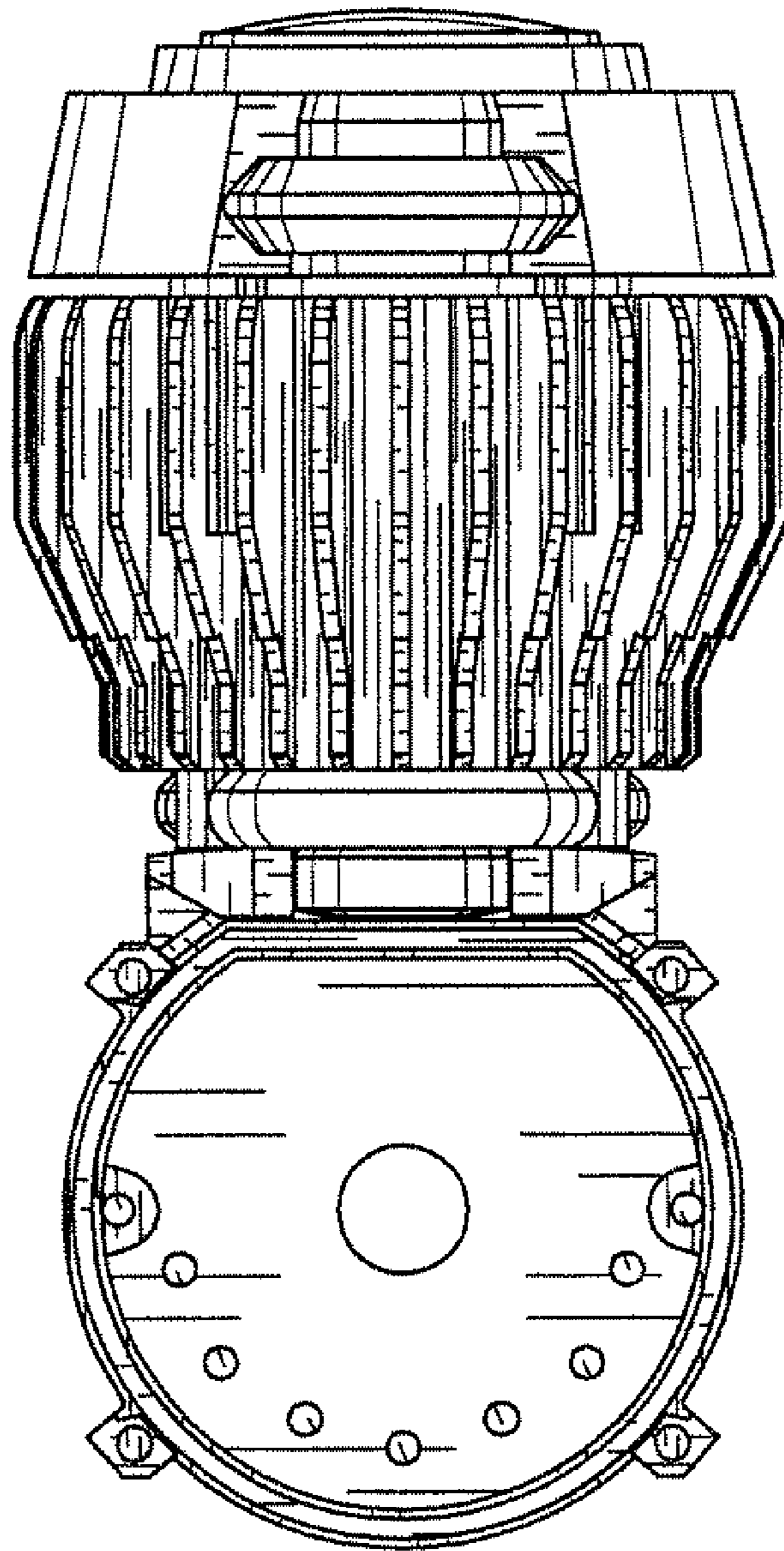


FIG. 2

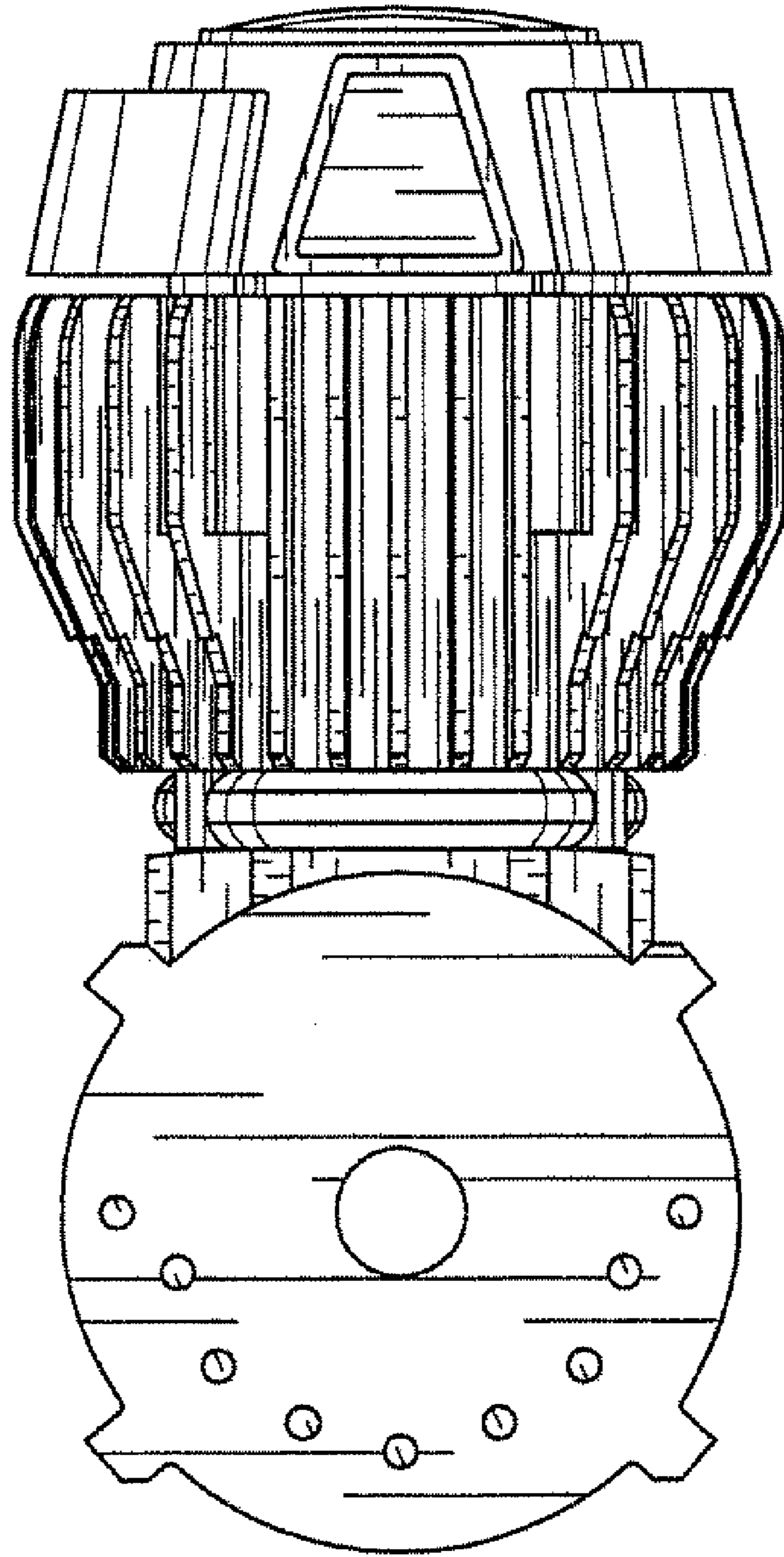


FIG. 3

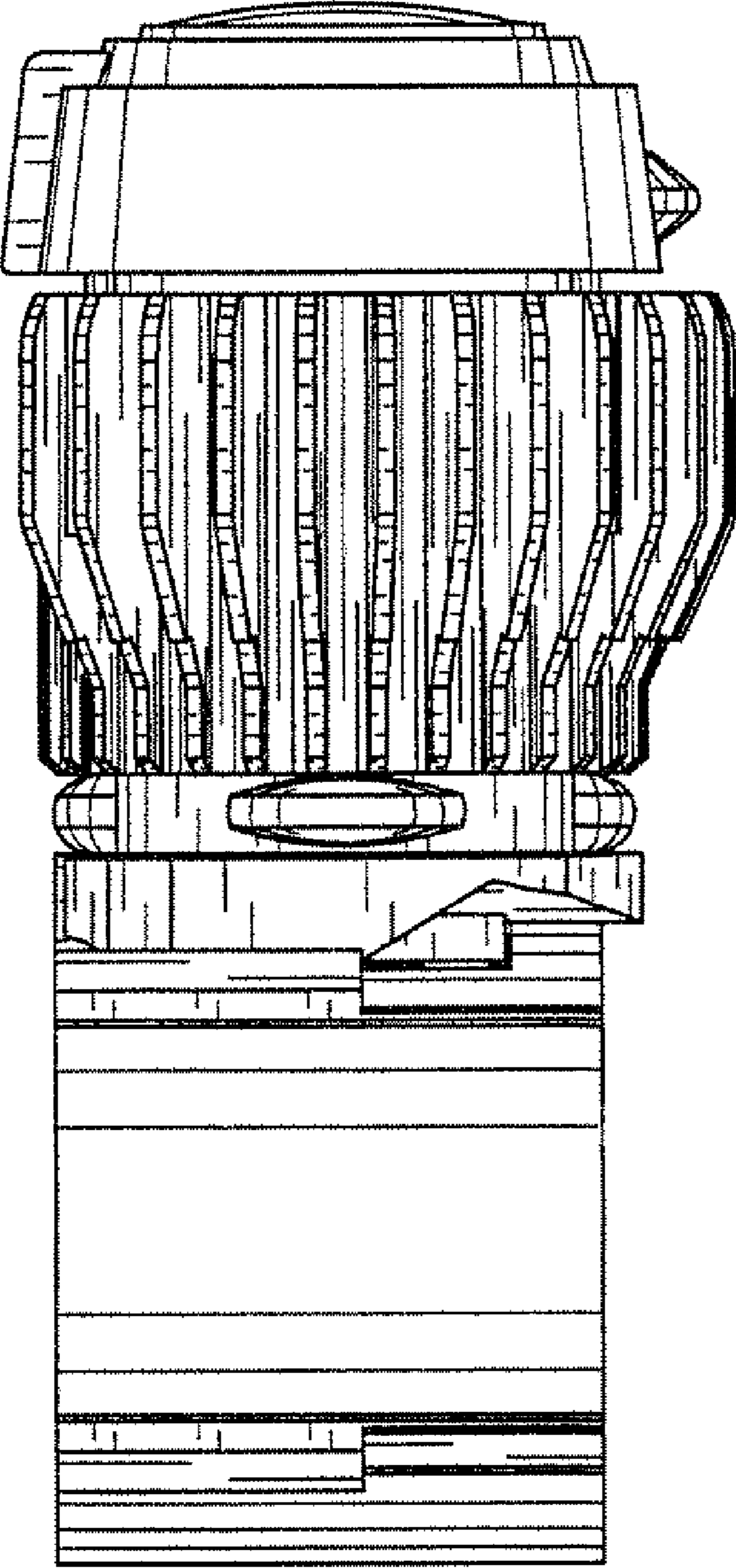


FIG. 4

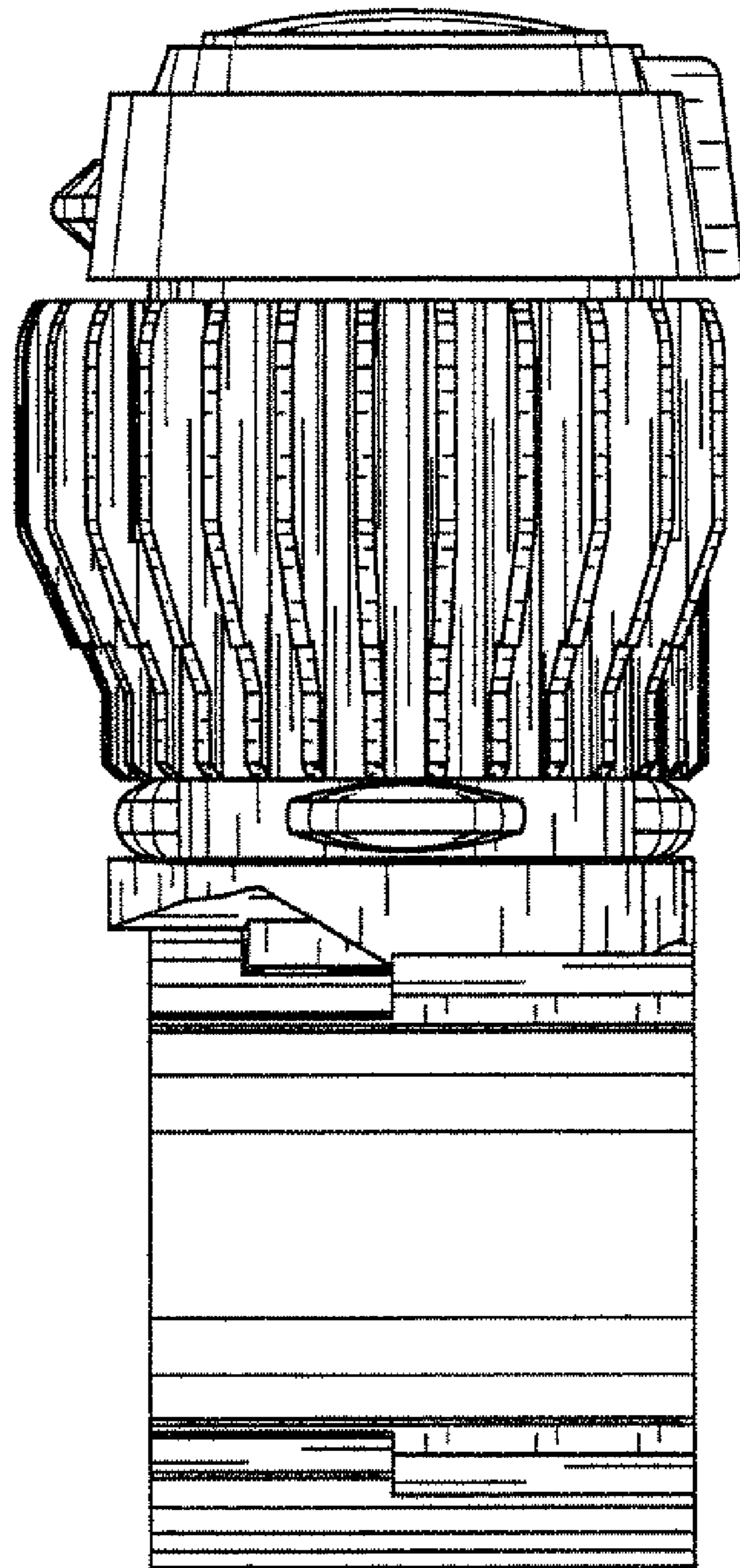


FIG. 5

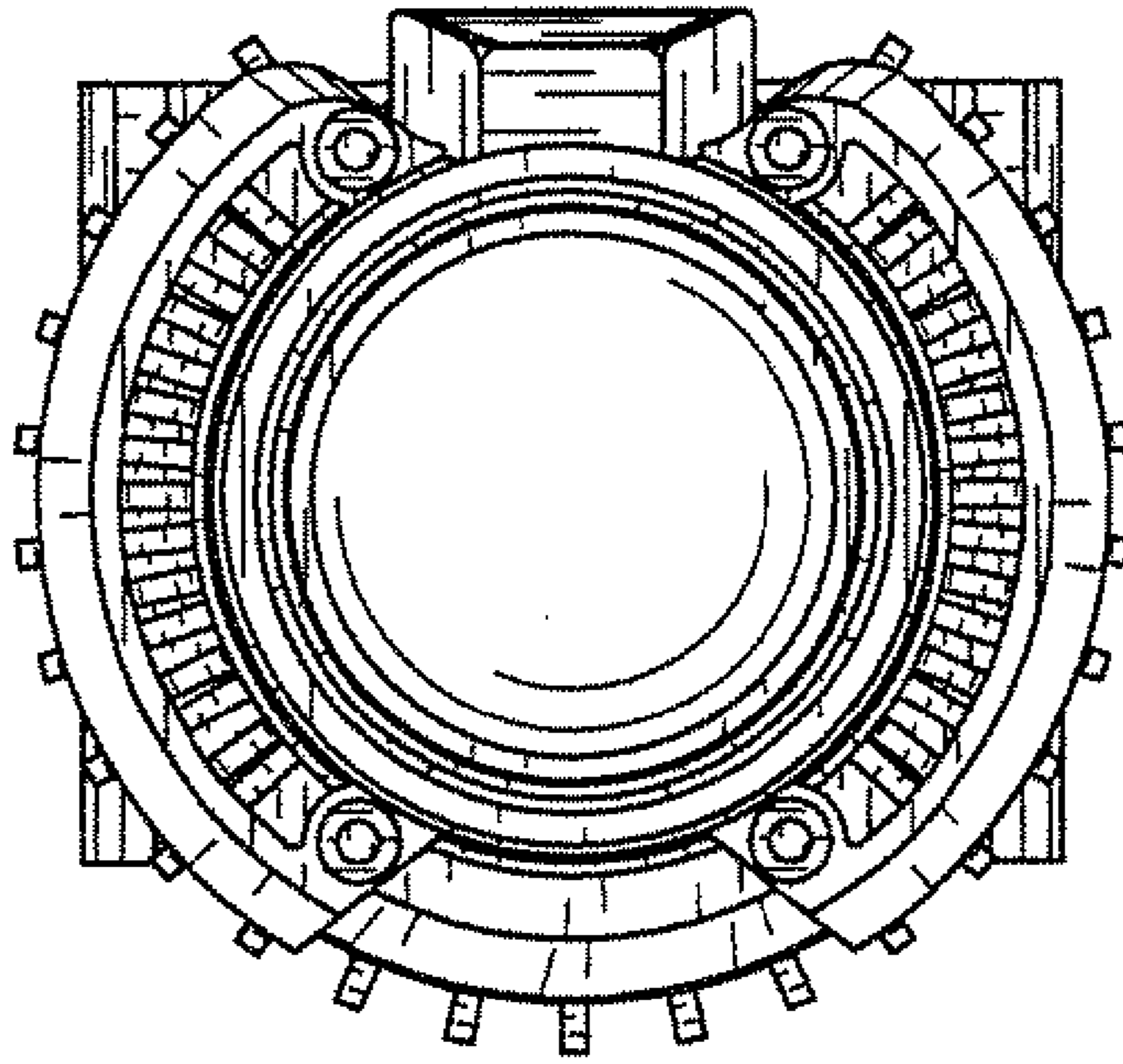


FIG. 6

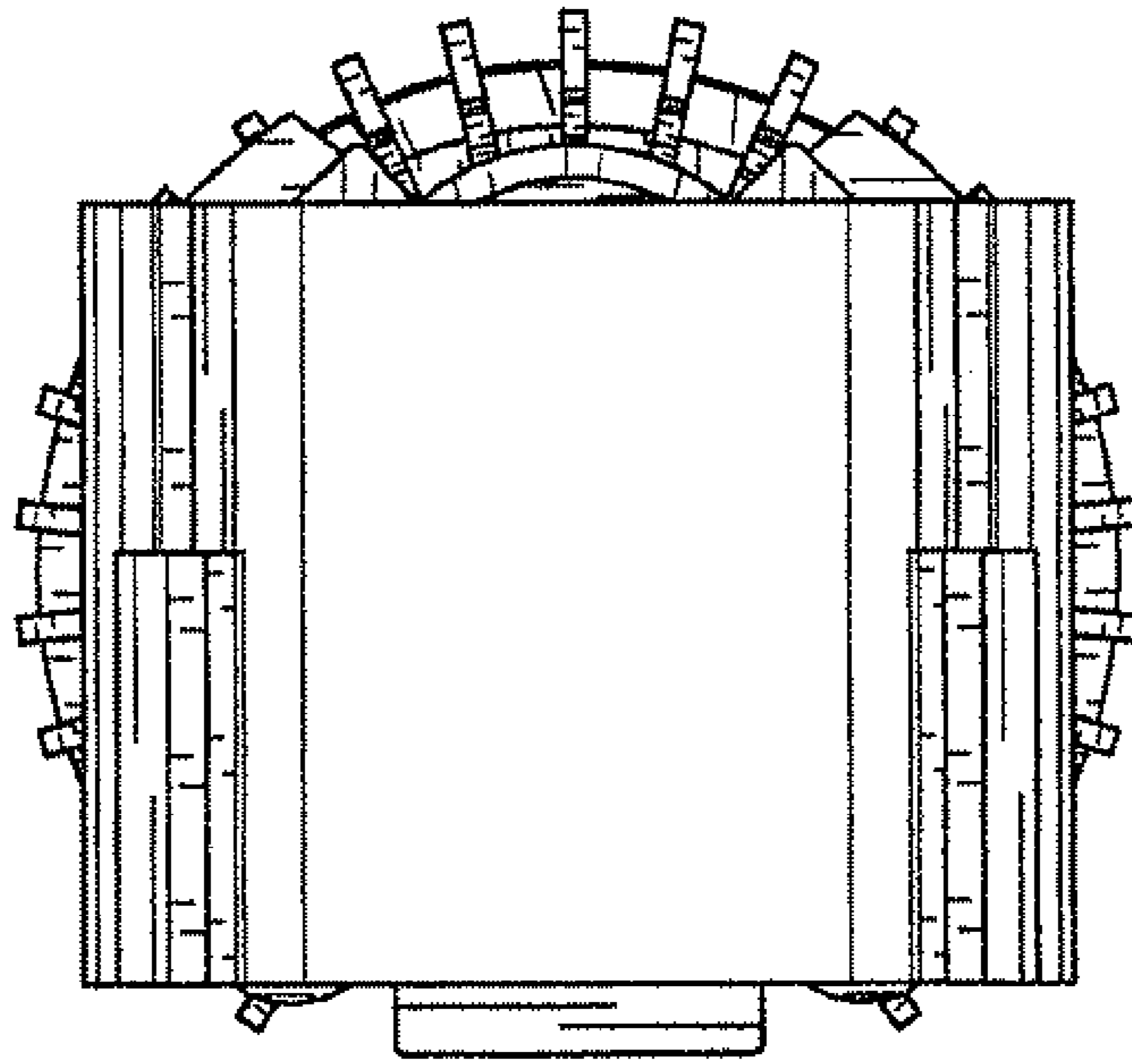


FIG. 7

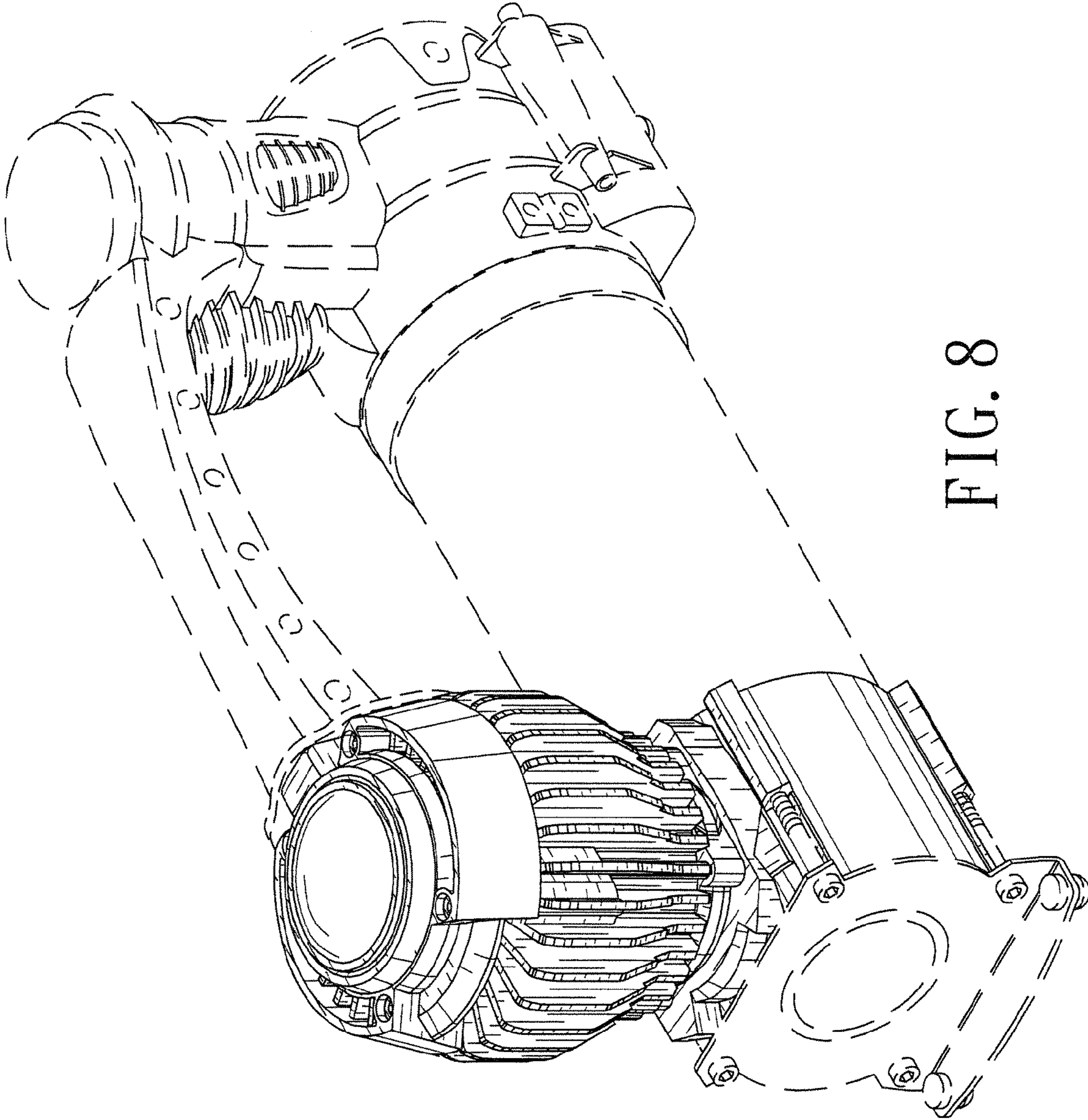


FIG. 8