



US00D624093S

(12) **United States Design Patent**
Lu

(10) **Patent No.:** **US D624,093 S**
(45) **Date of Patent:** **** Sep. 21, 2010**

(54) **AIR PUMP FOR INFLATING CUSHION BED**

(75) Inventor: **Terry Lu, Tu-Cheng (TW)**

(73) Assignee: **Eezcare Medical Corp. (TW)**

(**) Term: **14 Years**

(21) Appl. No.: **29/347,497**

(22) Filed: **Feb. 12, 2010**

(51) **LOC (9) Cl.** **15-02**

(52) **U.S. Cl.** **D15/7**

(58) **Field of Classification Search** D15/7-9;
D23/231, 232, 225; 417/410.1, 359, 415-416,
417/234, 321, 265, 405, 540; D6/606; 53/524
See application file for complete search history.

(56) **References Cited**

U.S. PATENT DOCUMENTS

D518,490 S *	4/2006	Pirzada	D15/7
D531,645 S *	11/2006	Wise	D15/9
D540,820 S *	4/2007	Gilroy	D15/7
D540,821 S *	4/2007	Gilroy	D15/7

* cited by examiner

Primary Examiner—Ralf Seifert

(74) *Attorney, Agent, or Firm*—HersHKovitz & Associates, LLC; Abraham HersHKovitz

(57) **CLAIM**

The ornamental design for an air pump for inflating cushion bed, as shown and described.

DESCRIPTION

FIG. 1 is a top perspective view of an air pump for inflating cushion bed showing my new design;

FIG. 2 is a front view thereof;

FIG. 3 is a rear view thereof;

FIG. 4 is a left view thereof;

FIG. 5 is a right view thereof;

FIG. 6 is a top view thereof;

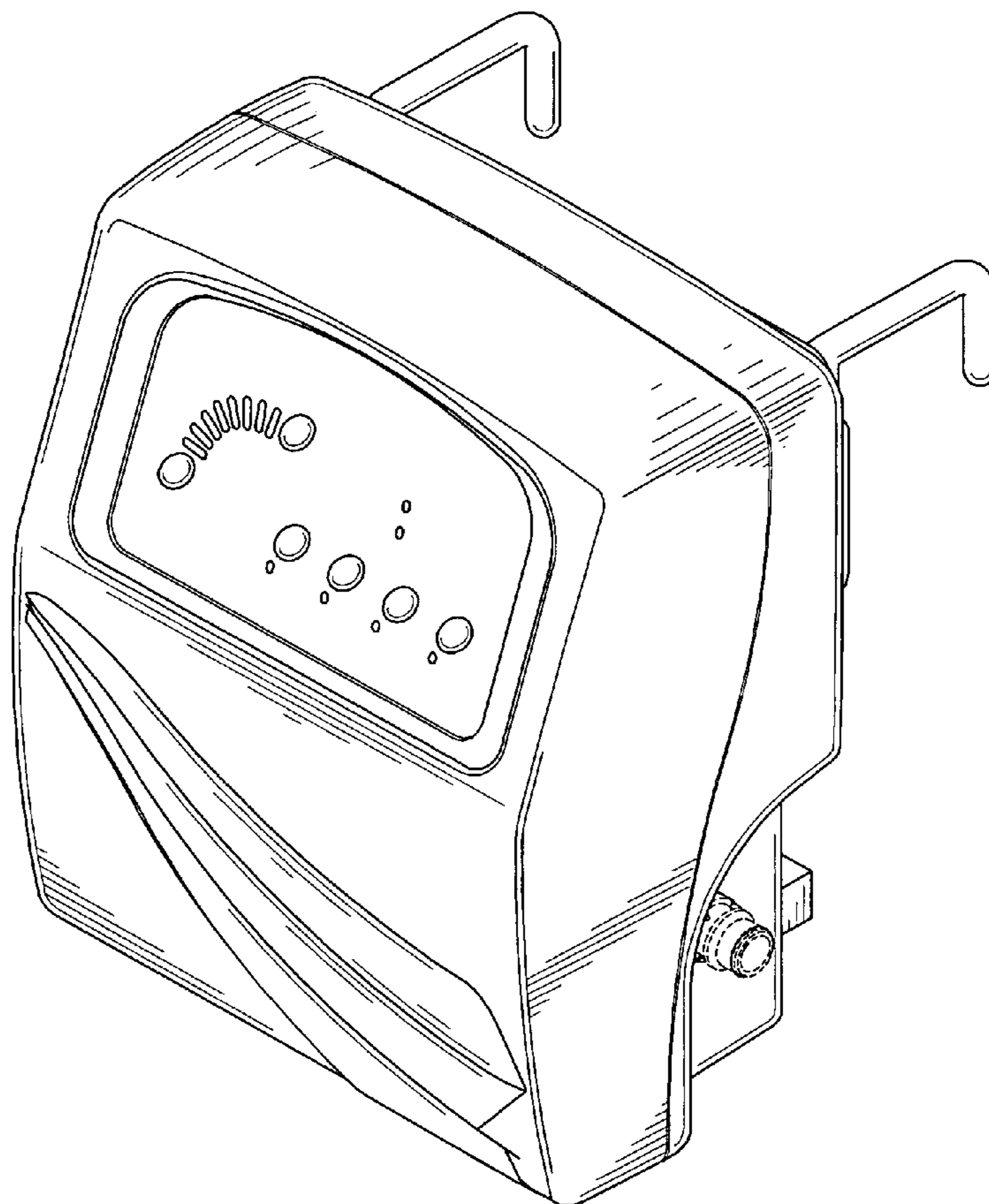
FIG. 7 is a bottom view thereof;

FIG. 8 is another top view of the air pump for inflating cushion bed, showing two hooks folded away; and,

FIG. 9 is a rear perspective view thereof.

In the drawings, the broken lines shown in the figures depict environmental subject matter only and form no part of the claimed design.

1 Claim, 9 Drawing Sheets



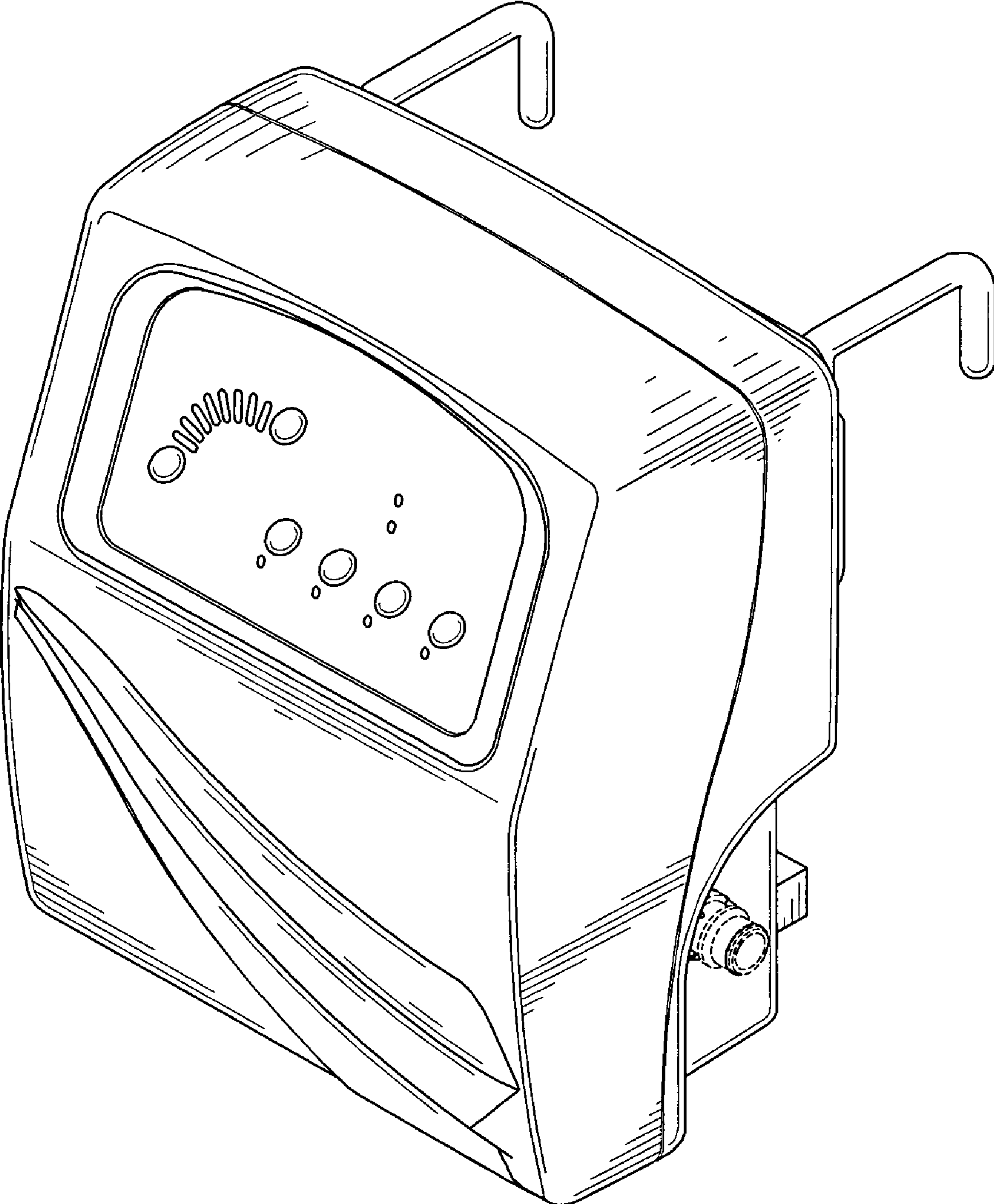


FIG. 1

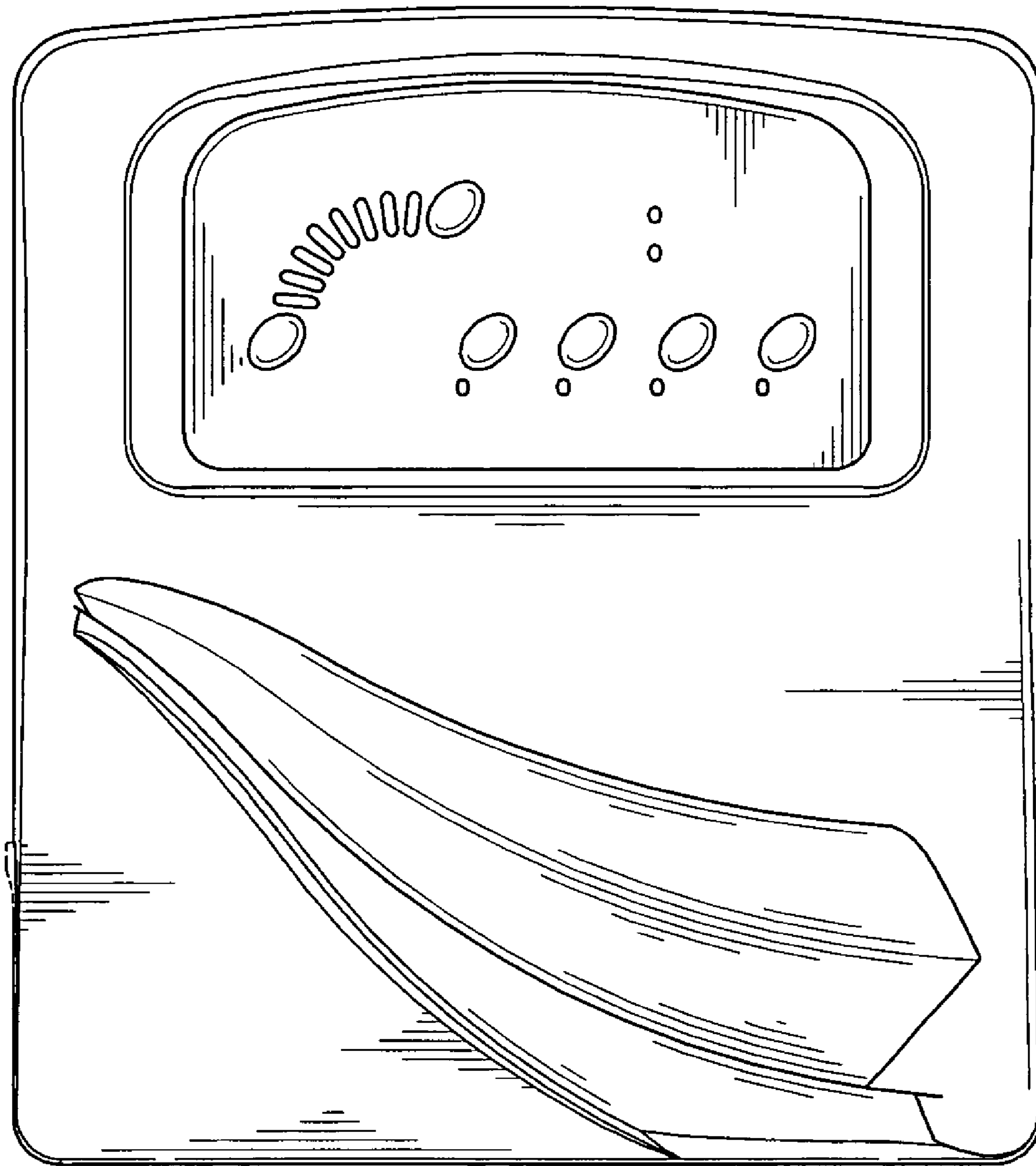


FIG. 2

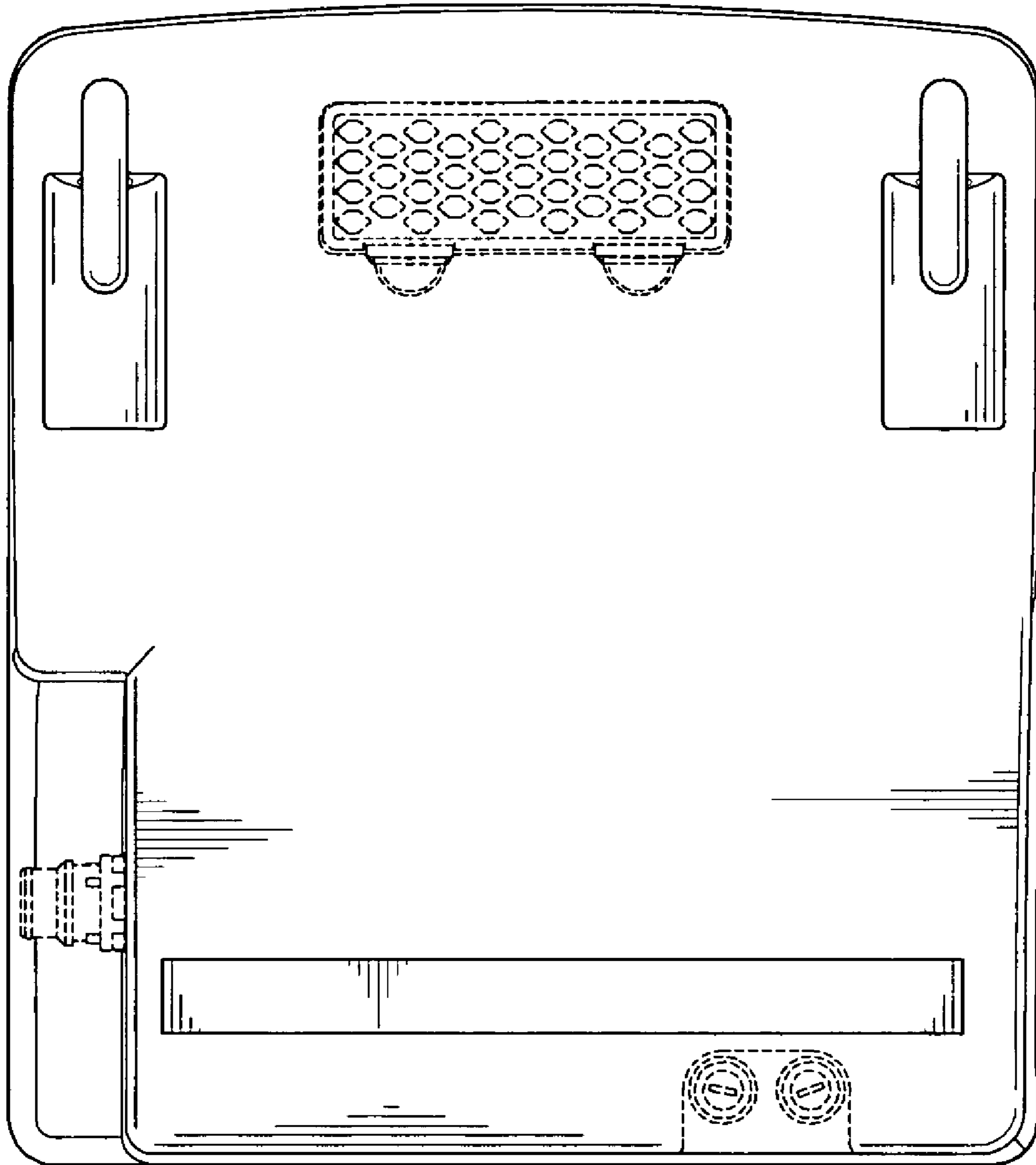


FIG. 3

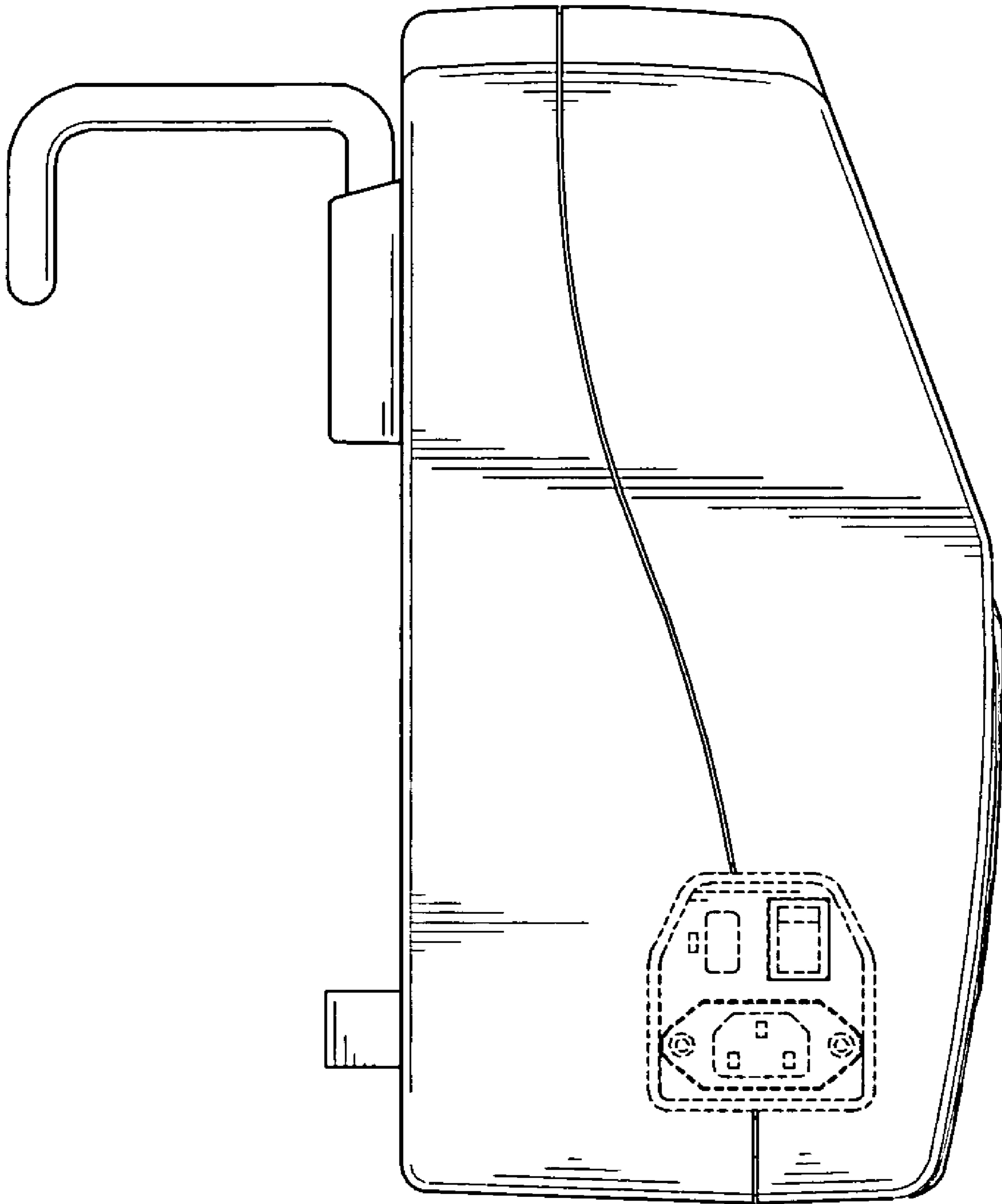


FIG. 4

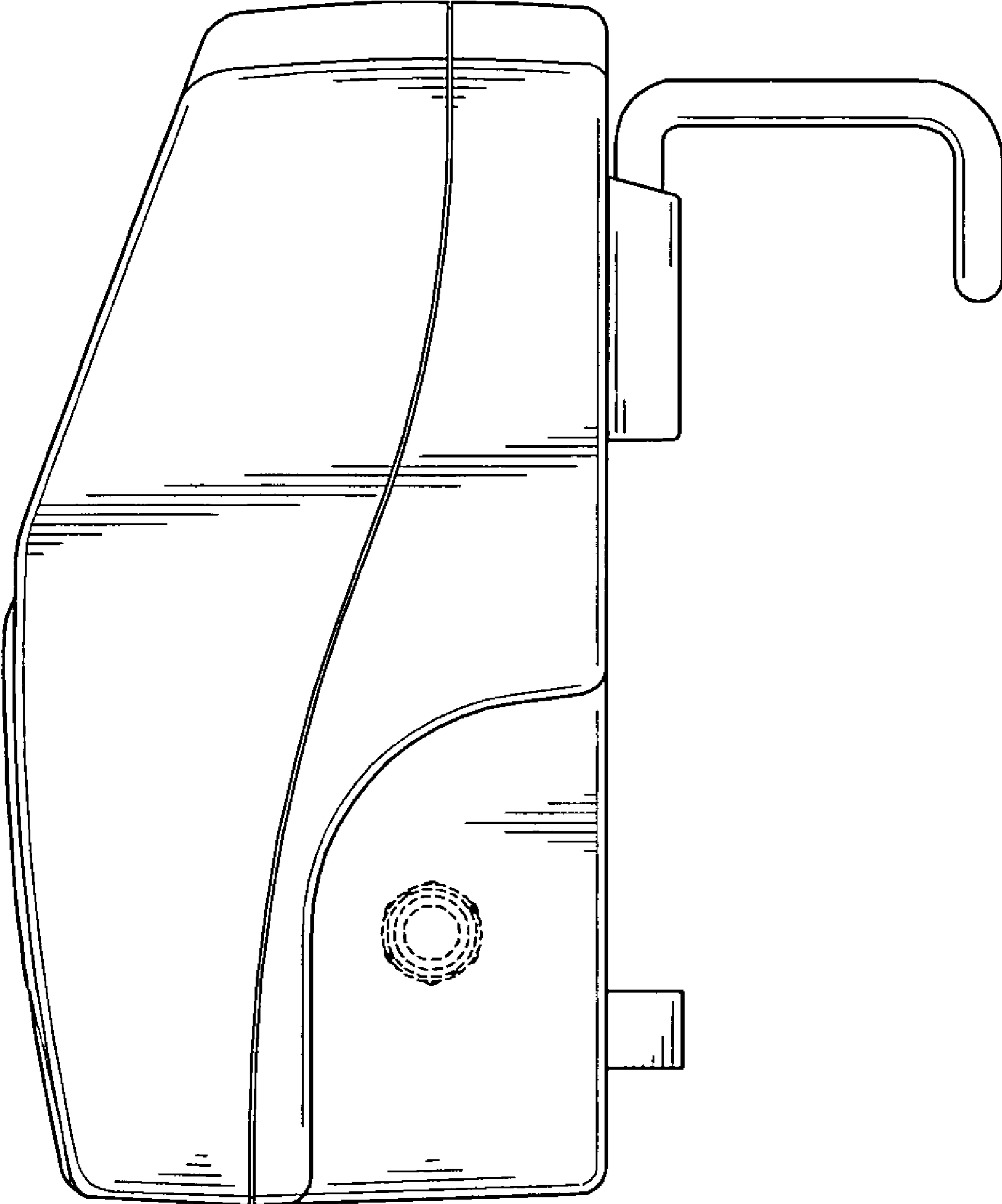


FIG. 5

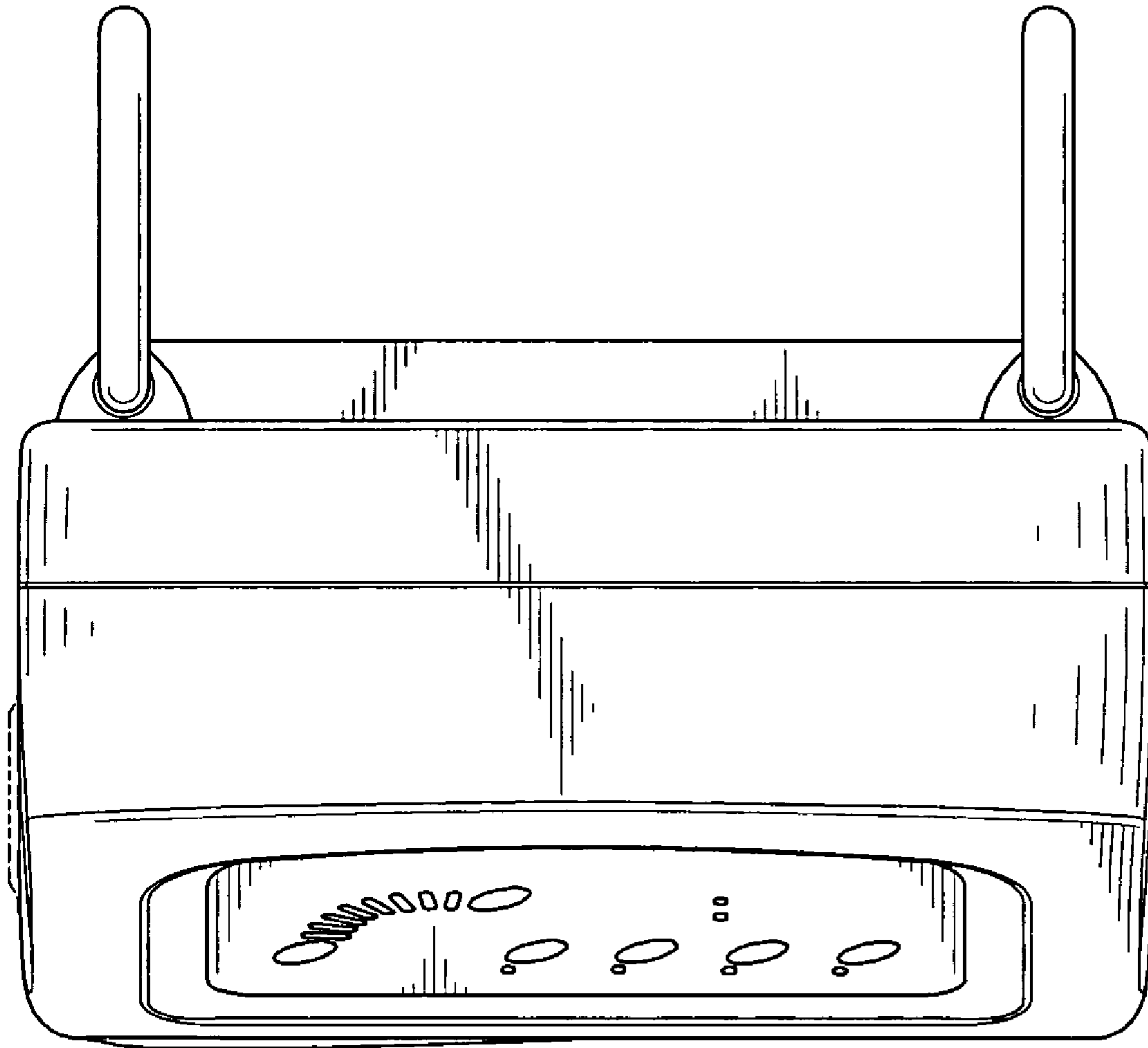


FIG. 6

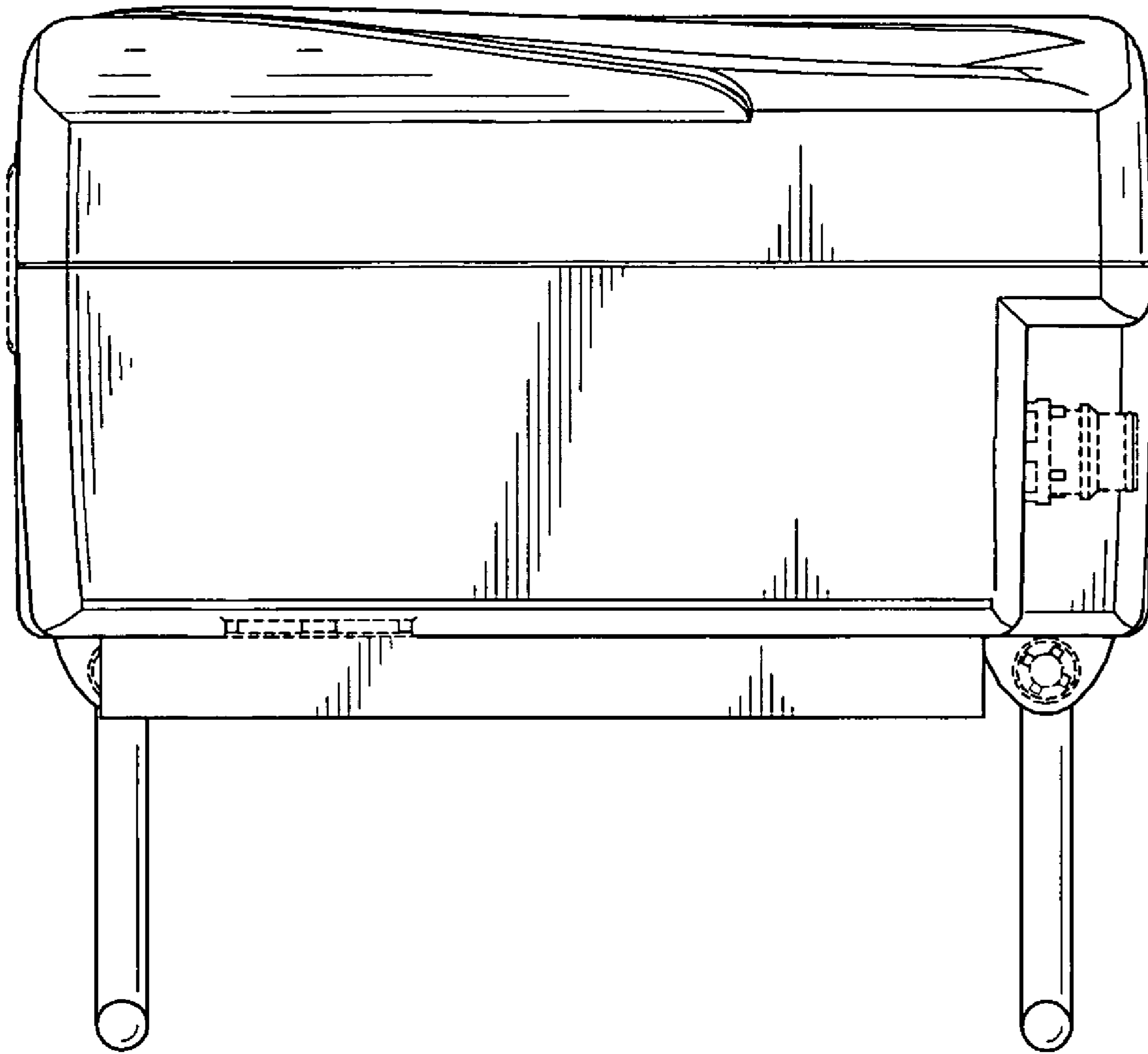


FIG. 7

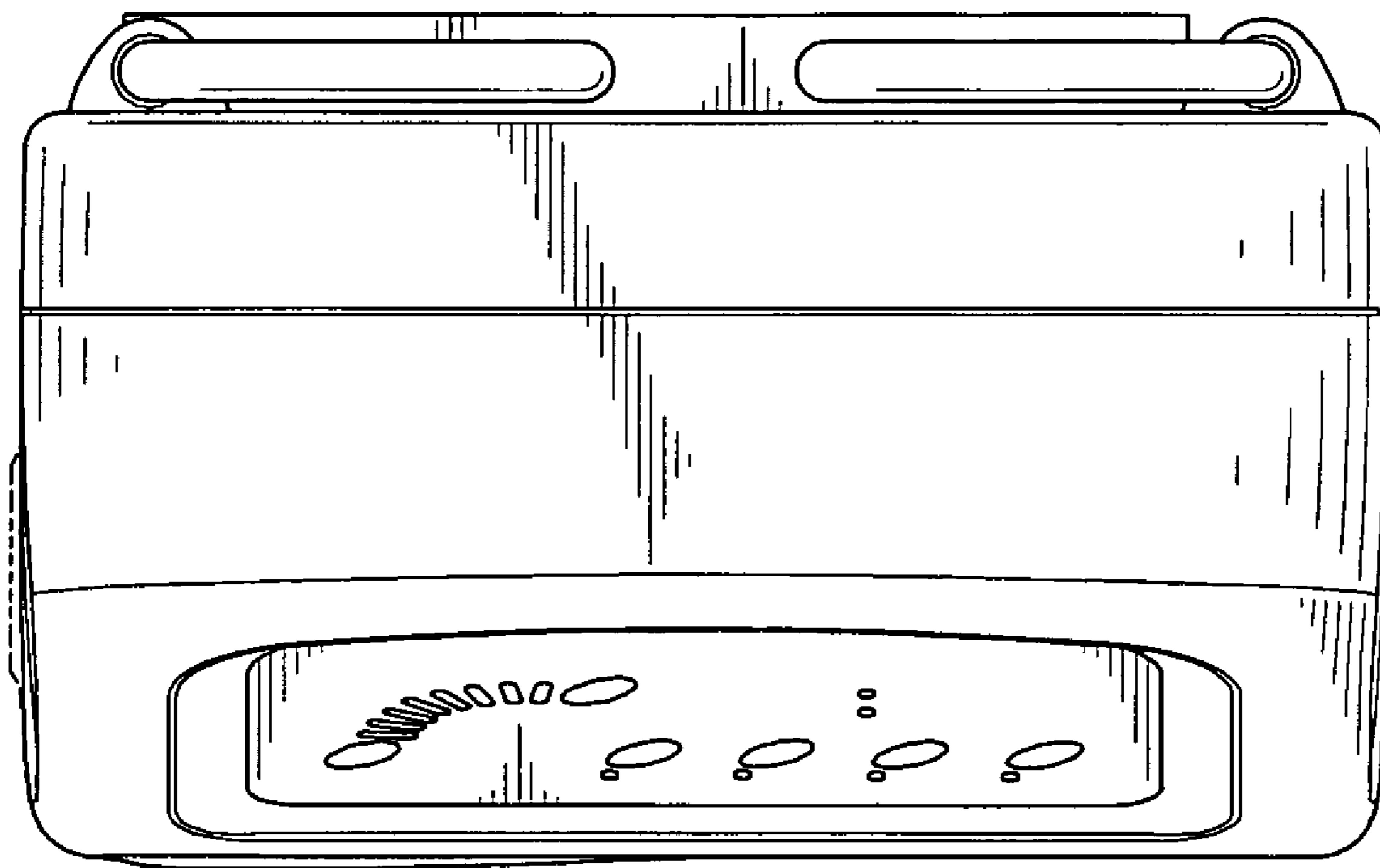


FIG. 8

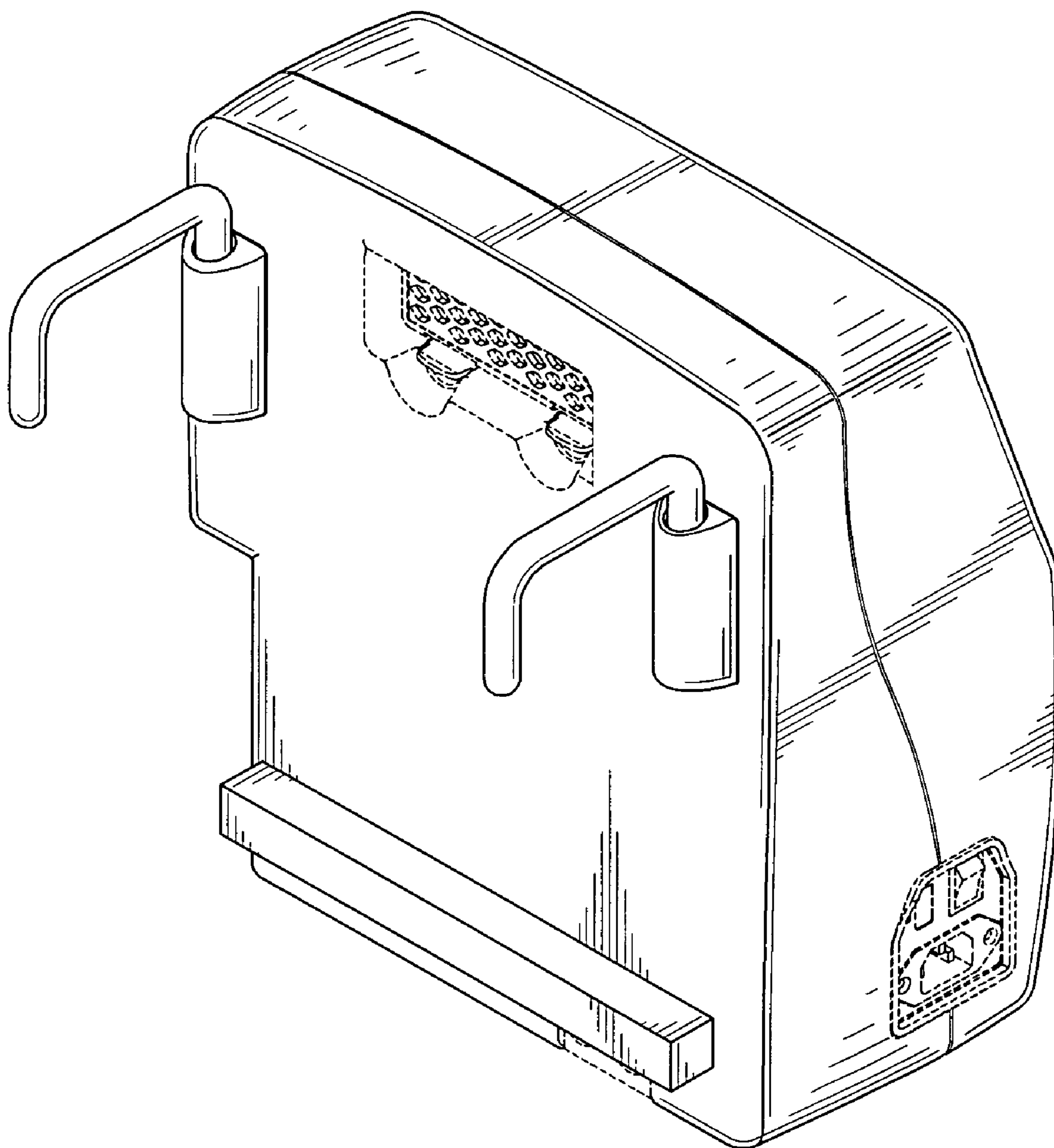


FIG. 9