



US00D624091S

(12) **United States Design Patent**
Yuasa

(10) **Patent No.:** **US D624,091 S**

(45) **Date of Patent:** **** Sep. 21, 2010**

(54) **INTERNAL COMBUSTION ENGINE**

(75) **Inventor:** **Tsuneyoshi Yuasa, Kobe (JP)**

(73) **Assignee:** **Kawasaki Jukogyo Kabushiki Kaisha, Hyogo (JP)**

(**) **Term:** **14 Years**

(21) **Appl. No.:** **29/338,679**

(22) **Filed:** **Jun. 16, 2009**

(30) **Foreign Application Priority Data**

Feb. 27, 2009 (JP) 2009-004255

(51) **LOC (9) Cl.** **15-01**

(52) **U.S. Cl.** **D15/1**

(58) **Field of Classification Search** D15/1,
D15/2, 3, 5, 6, 14, 17, 149; 123/22, 41.34,
123/51 A, 606 R, 52.1, 50 A, 50 B, 54.1,
123/54.2, 54.4, 54.5, 65 R, 195 R, 195 HC,
123/657, 311

See application file for complete search history.

(56) **References Cited**

U.S. PATENT DOCUMENTS

D309,458 S * 7/1990 Johnson et al. D15/1
D515,589 S * 2/2006 Lin et al. D15/1
D521,529 S * 5/2006 Wu et al. D15/1
D527,020 S * 8/2006 Miyazaki et al. D15/3
D529,046 S * 9/2006 Maeda et al. D15/1

D561,784 S * 2/2008 Yin et al. D15/1

D583,829 S * 12/2008 Fan D15/1

D598,935 S * 8/2009 Kobayashi et al. D15/1

D609,720 S * 2/2010 Buck D15/1

D610,164 S * 2/2010 Takahata et al. D15/1

* cited by examiner

Primary Examiner—T. Chase Nelson

Assistant Examiner—Ania K Dworzecka

(57) **CLAIM**

The ornamental design for an internal combustion engine, as shown and described.

DESCRIPTION

FIG. 1 is a front elevational view of an internal combustion engine showing my new design;

FIG. 2 is a rear elevational view thereof;

FIG. 3 is a left side elevational view thereof;

FIG. 4 is a right side elevational view thereof;

FIG. 5 is a top plan view thereof;

FIG. 6 is a bottom plan view thereof;

FIG. 7 is a front left perspective view thereof;

FIG. 8 is a front right perspective view thereof;

FIG. 9 is a rear left perspective view thereof; and,

FIG. 10 is a rear right perspective view thereof.

1 Claim, 10 Drawing Sheets

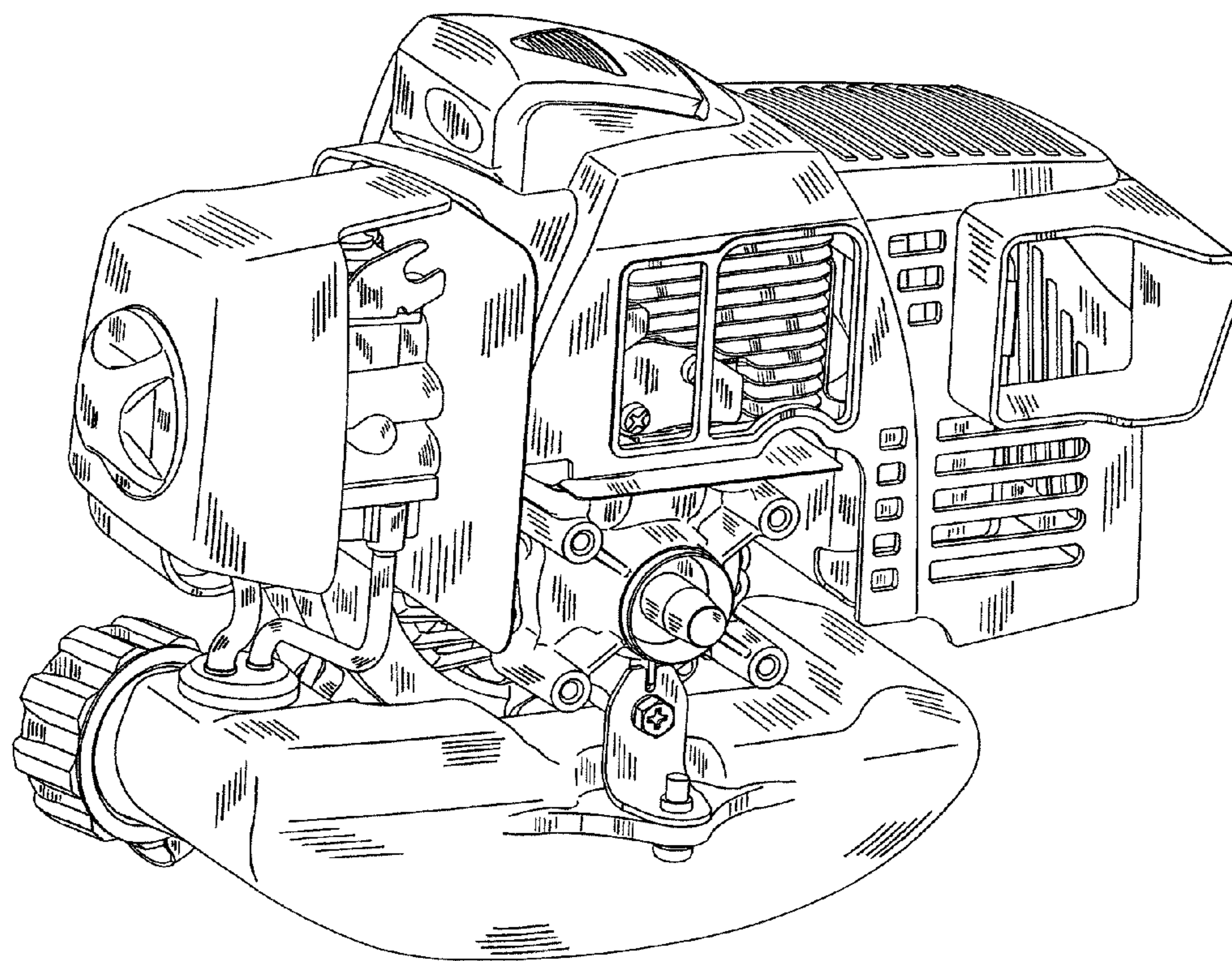


Fig. 1

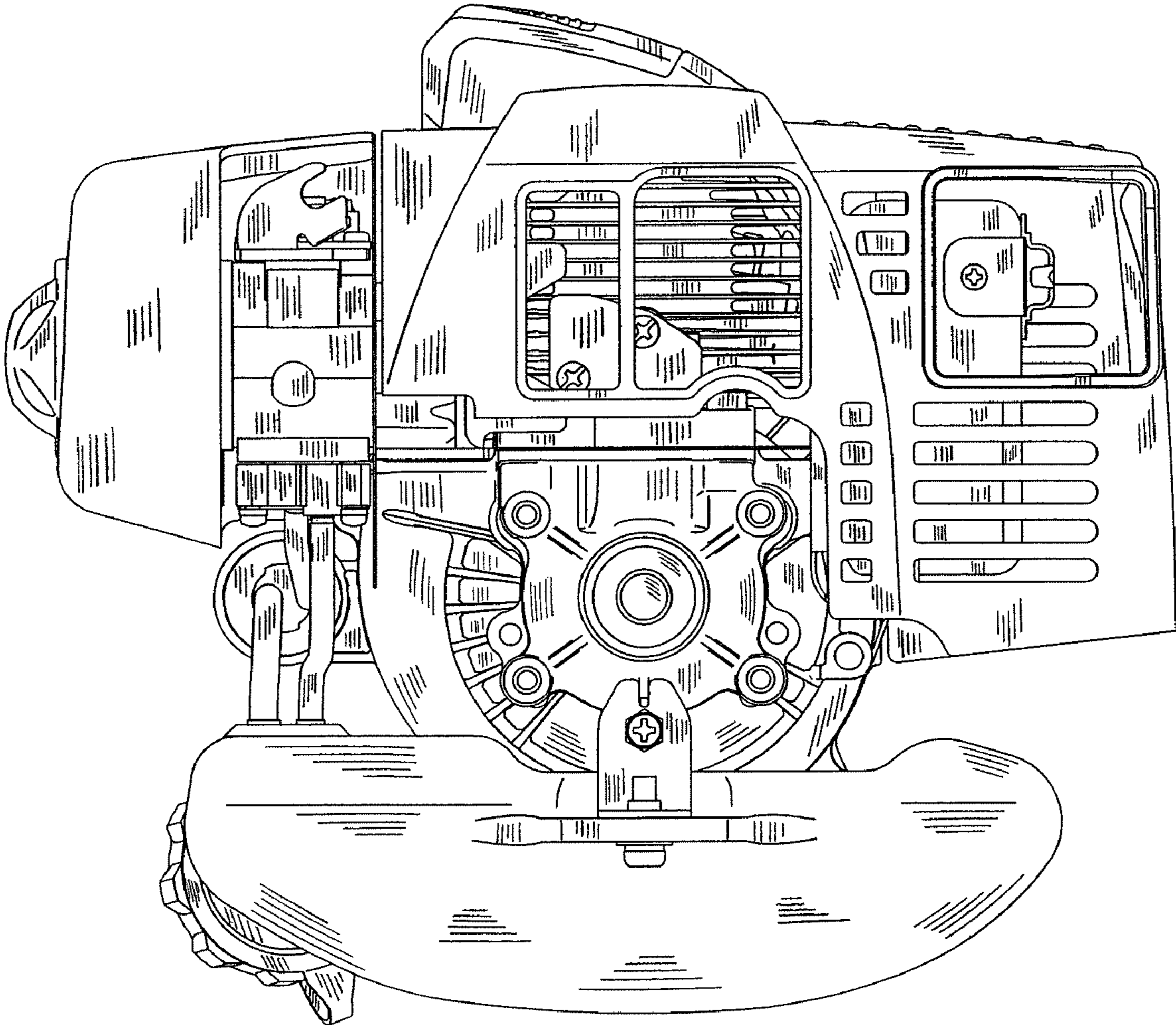


Fig. 2

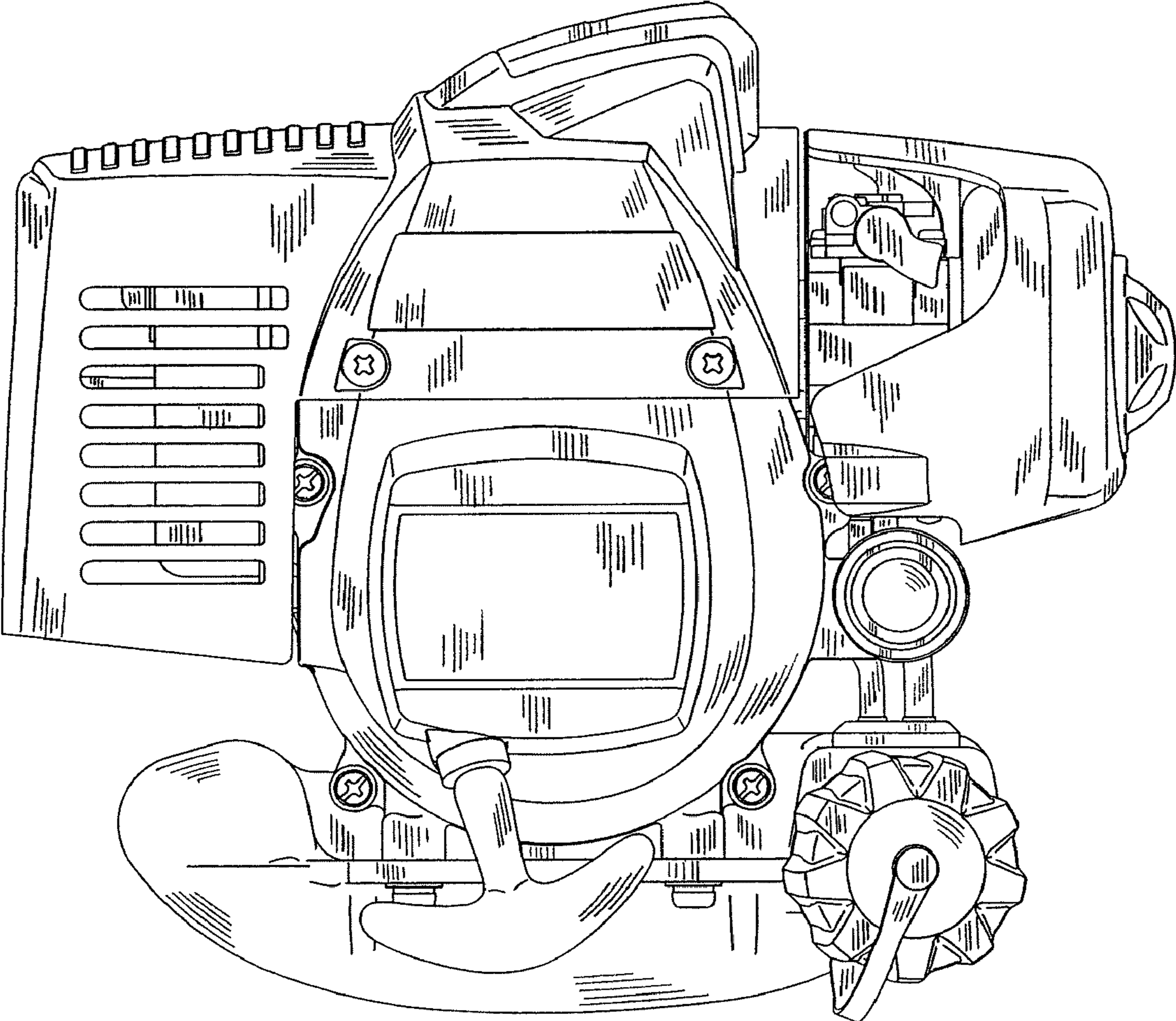


Fig. 3

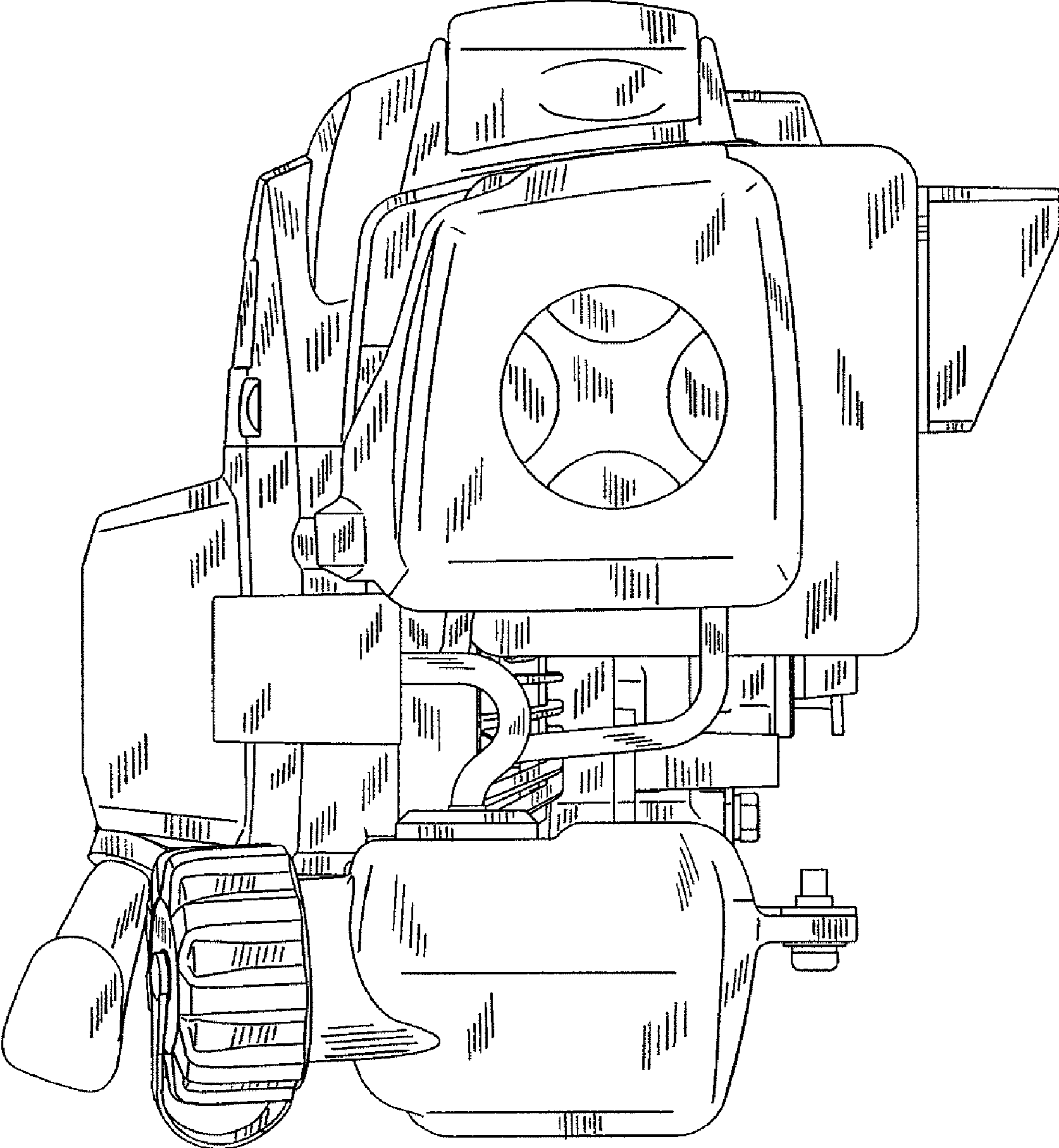


Fig. 4

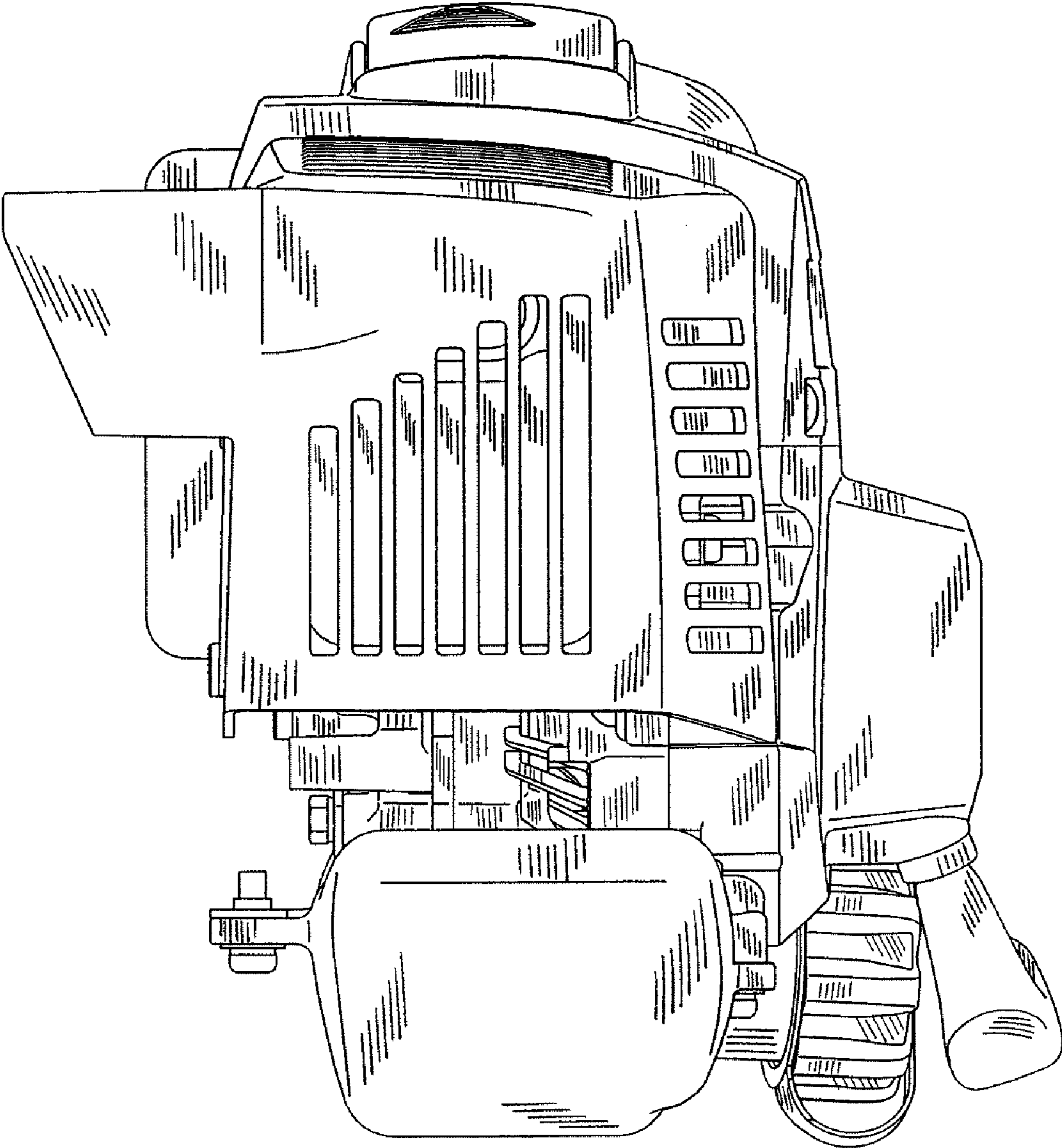


Fig. 5

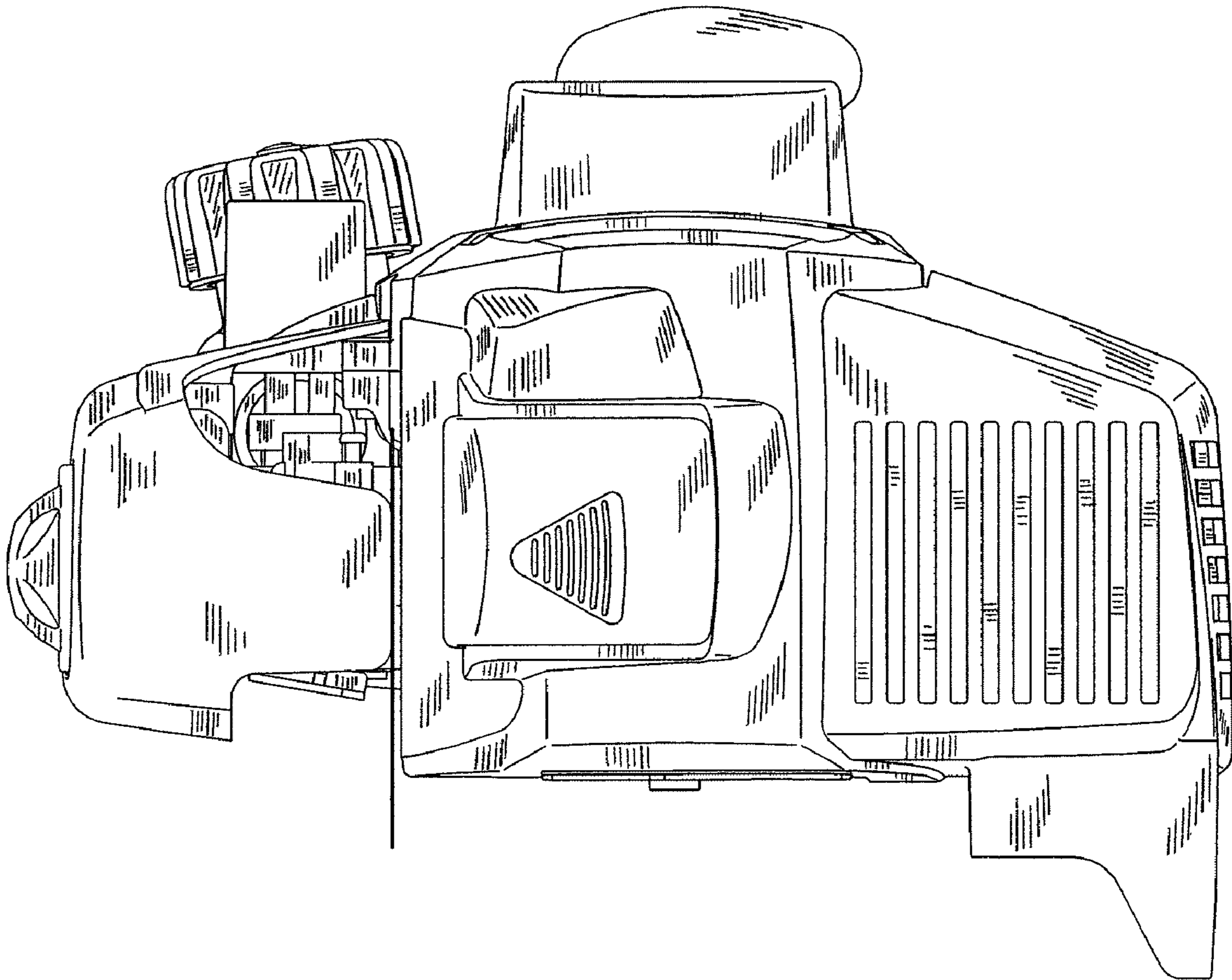


Fig. 6

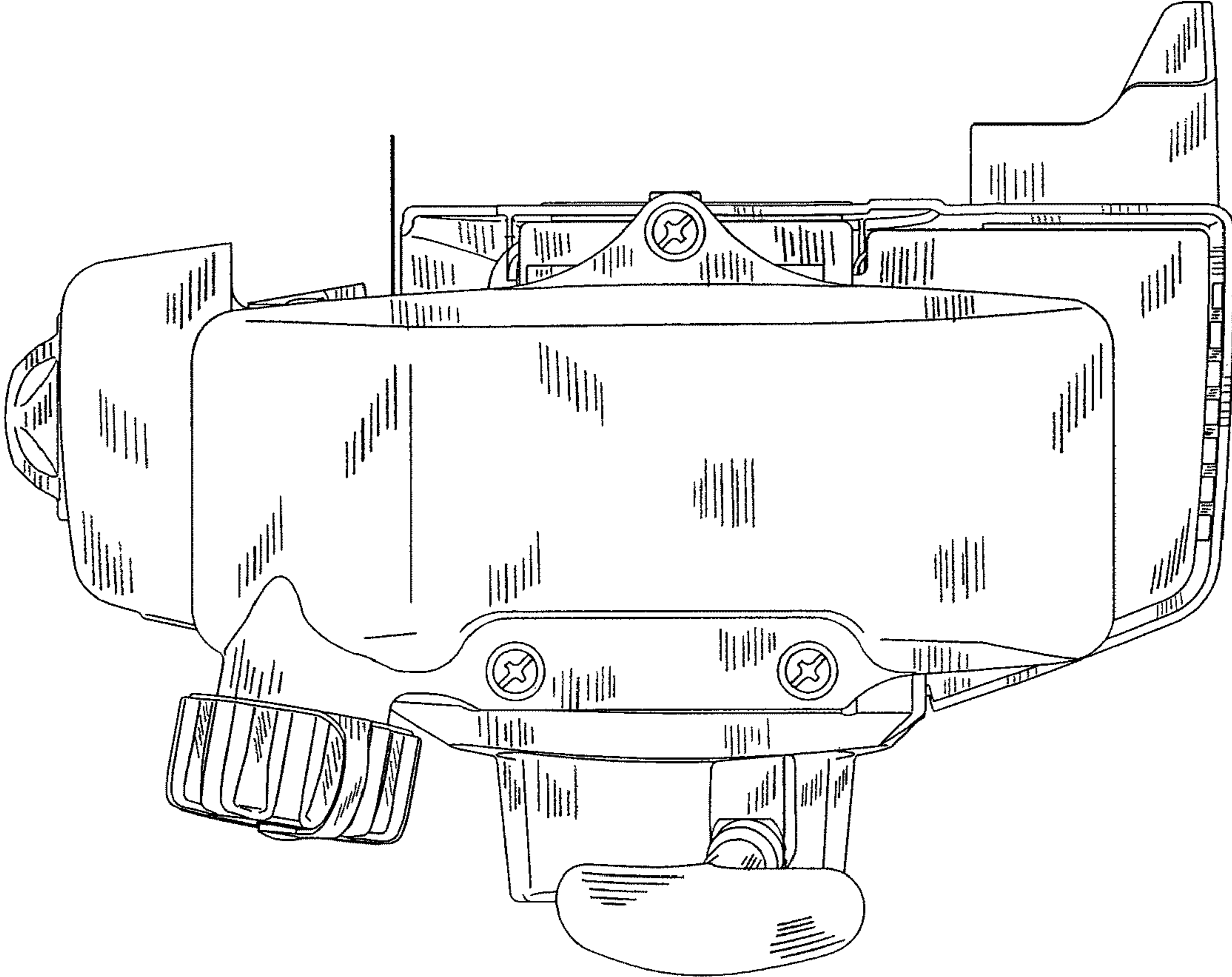


Fig. 7

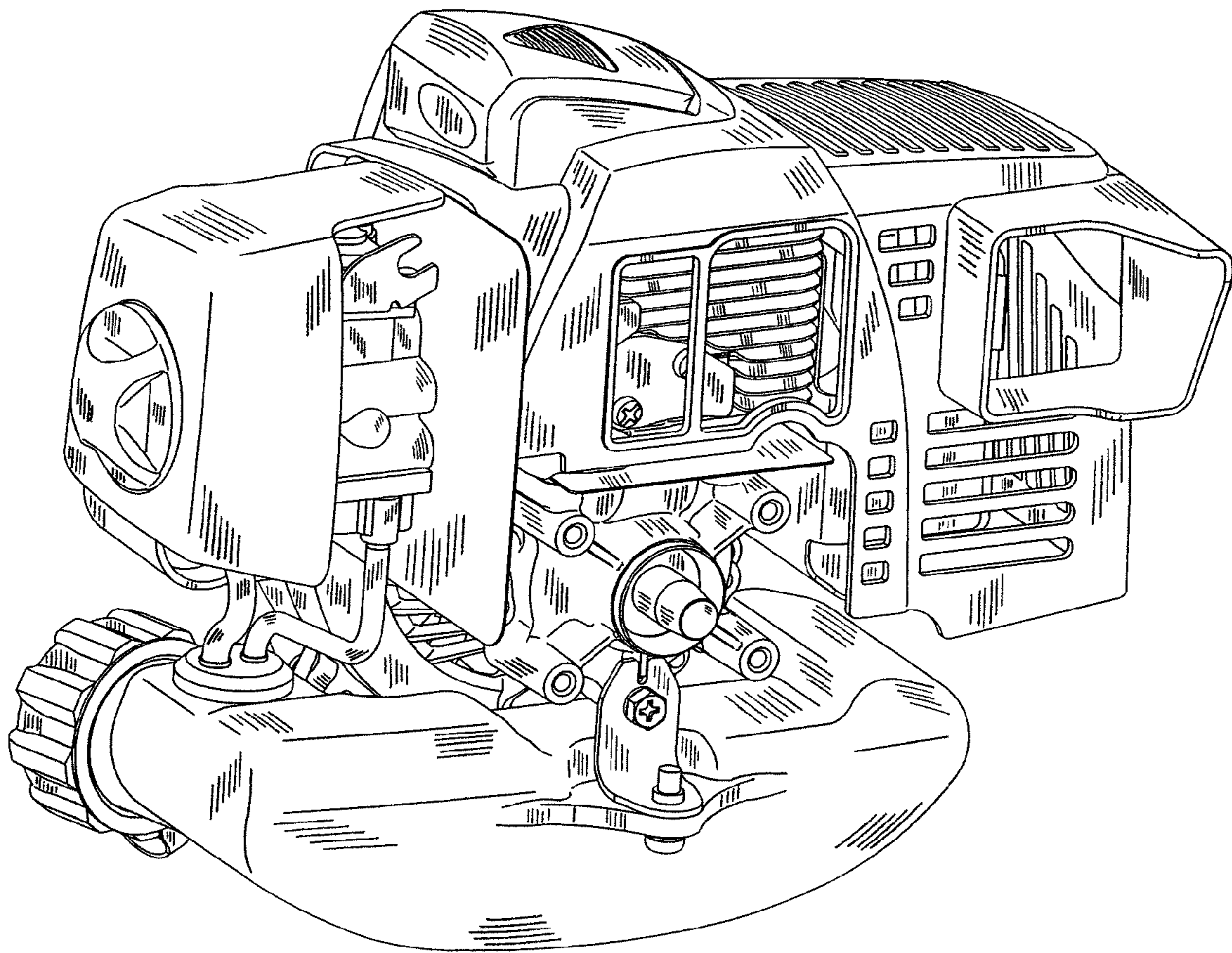


Fig. 8

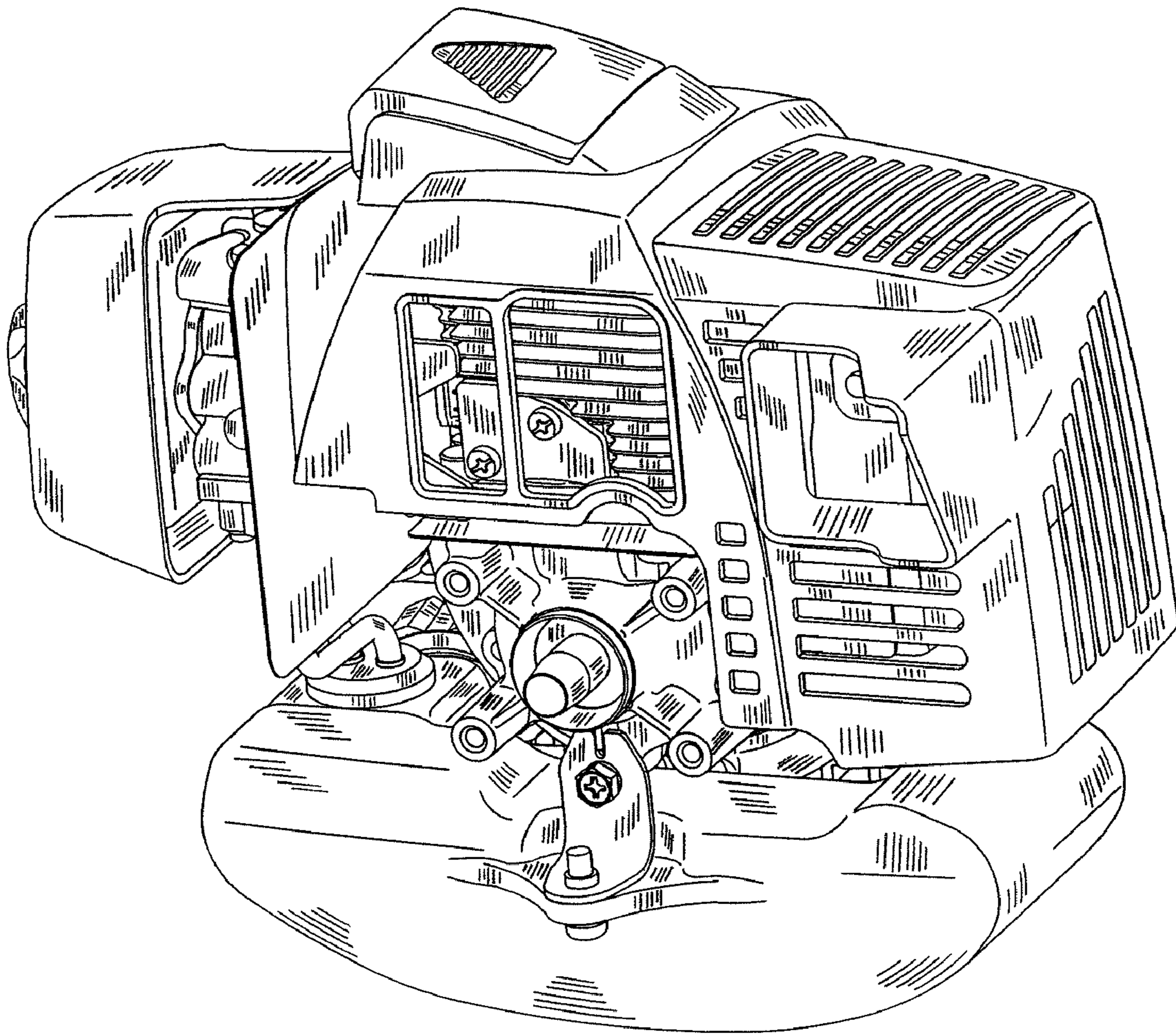


Fig. 9

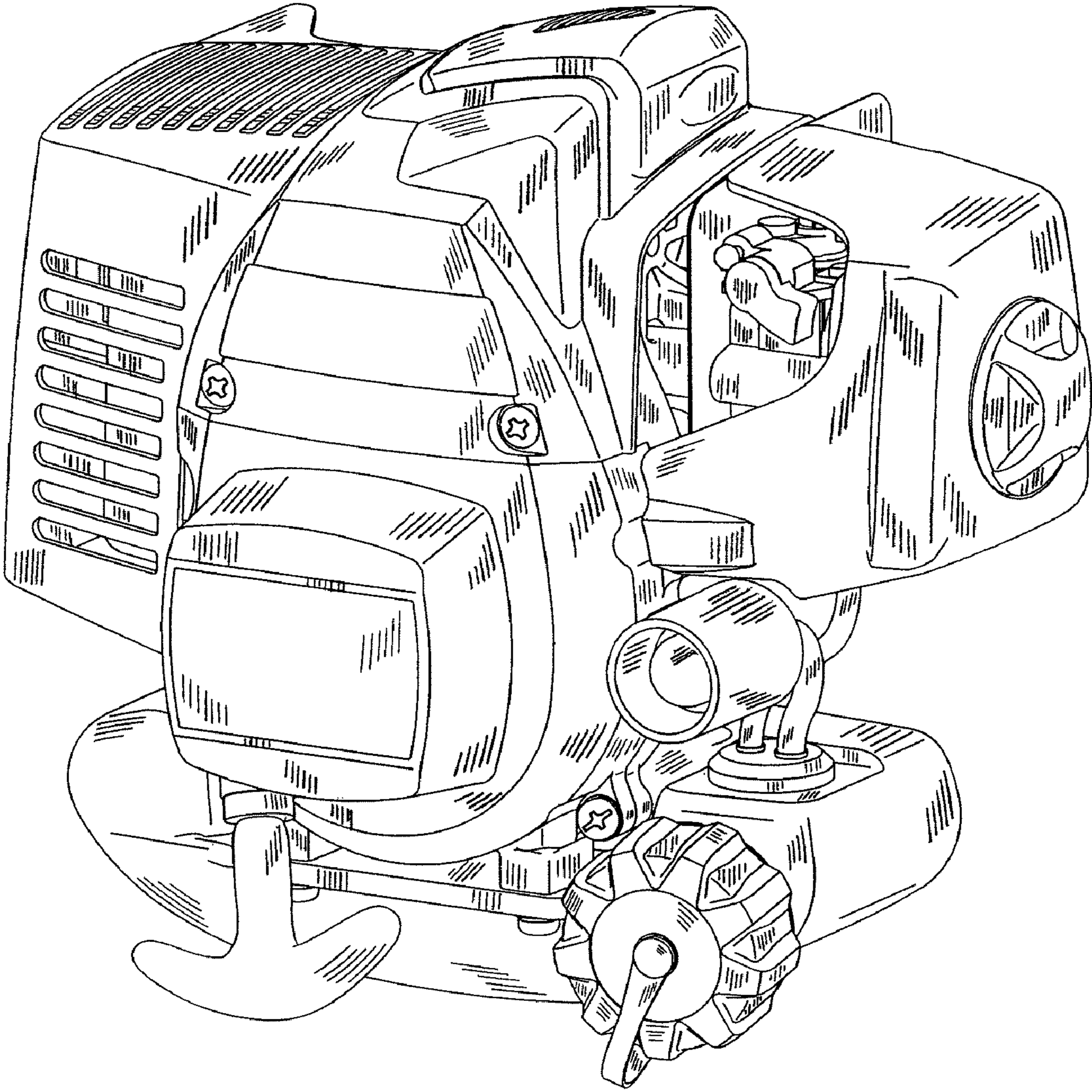


Fig. 10

